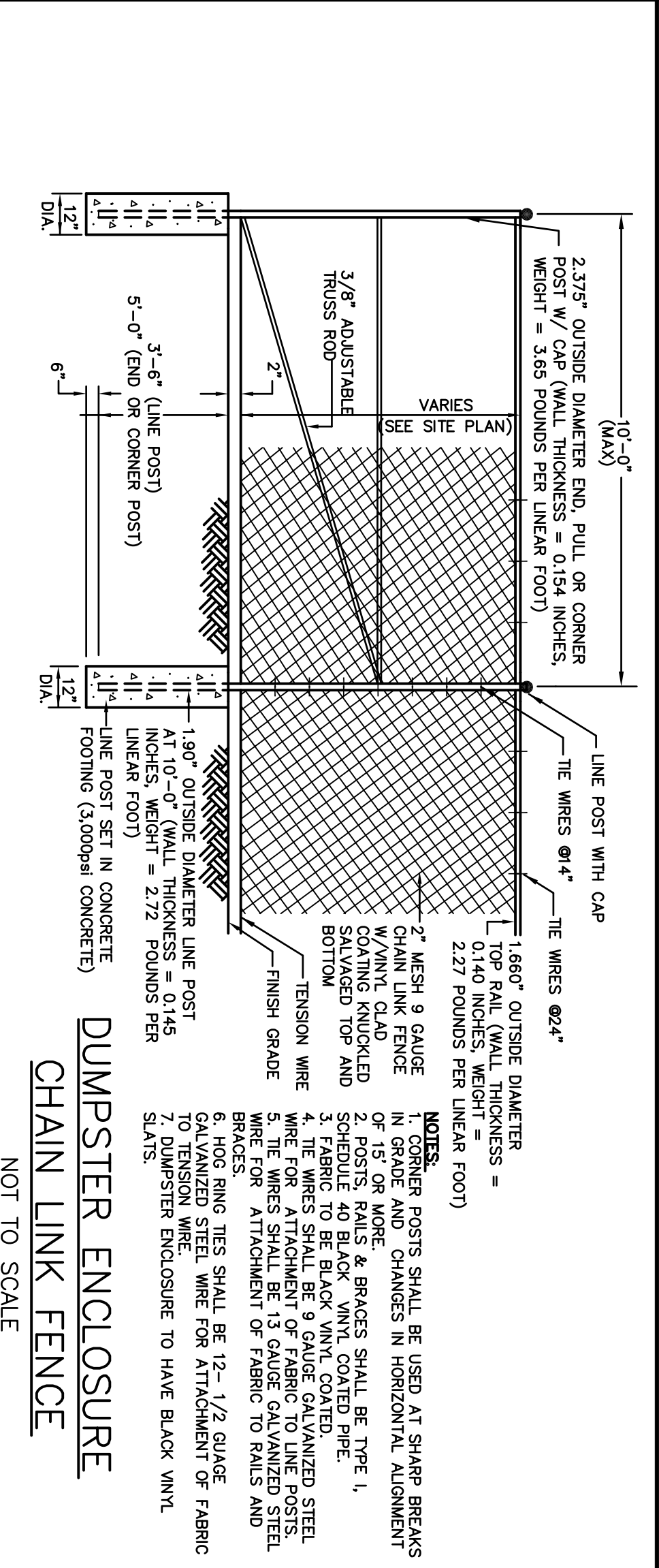
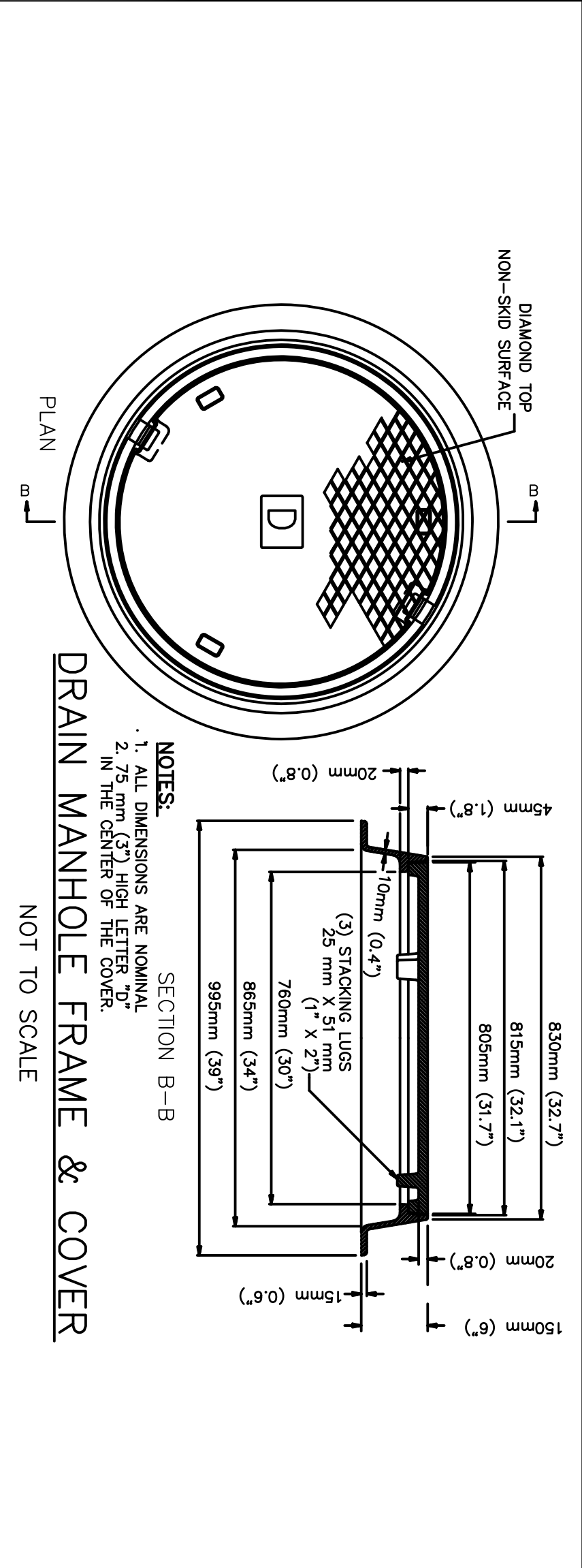


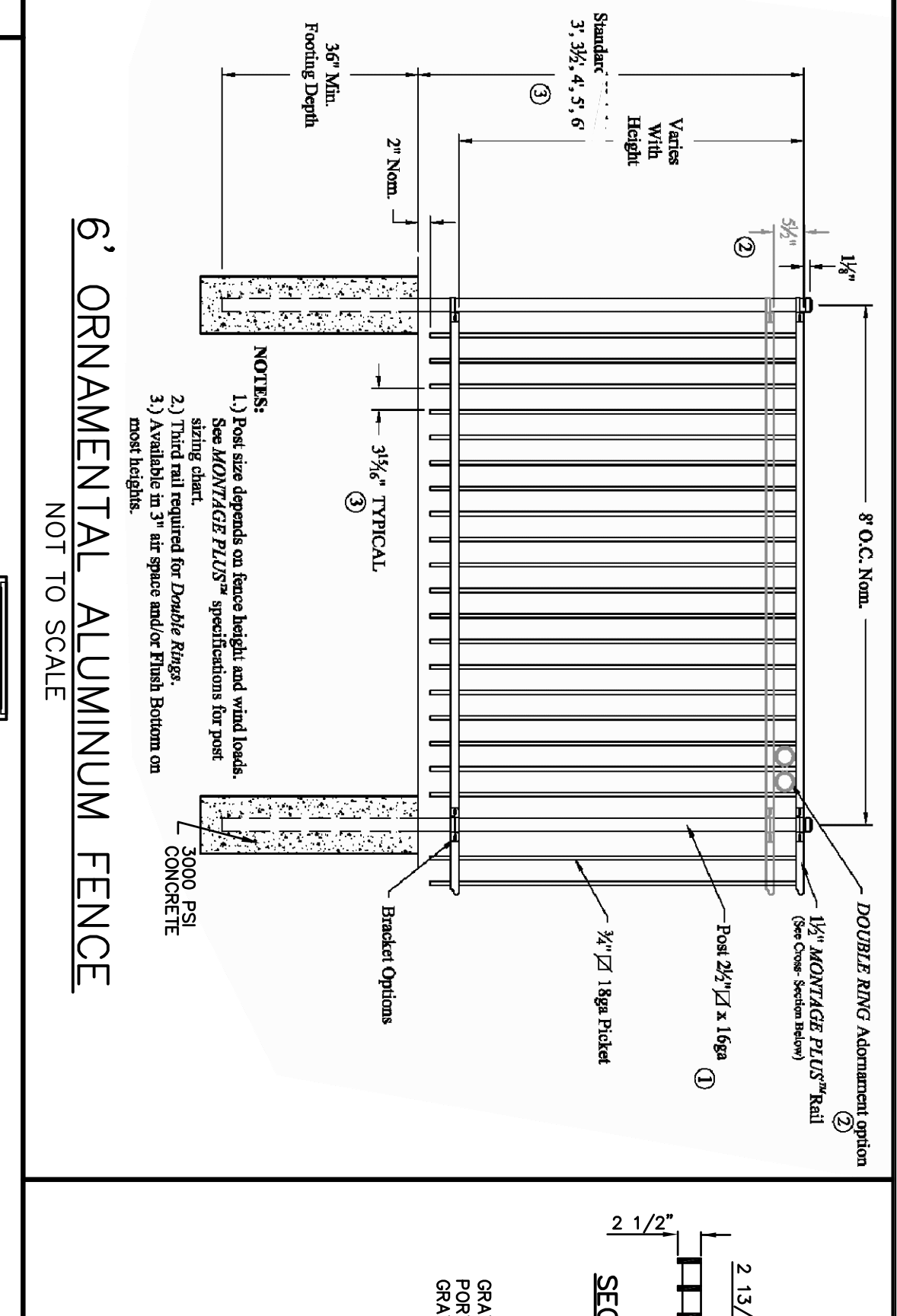
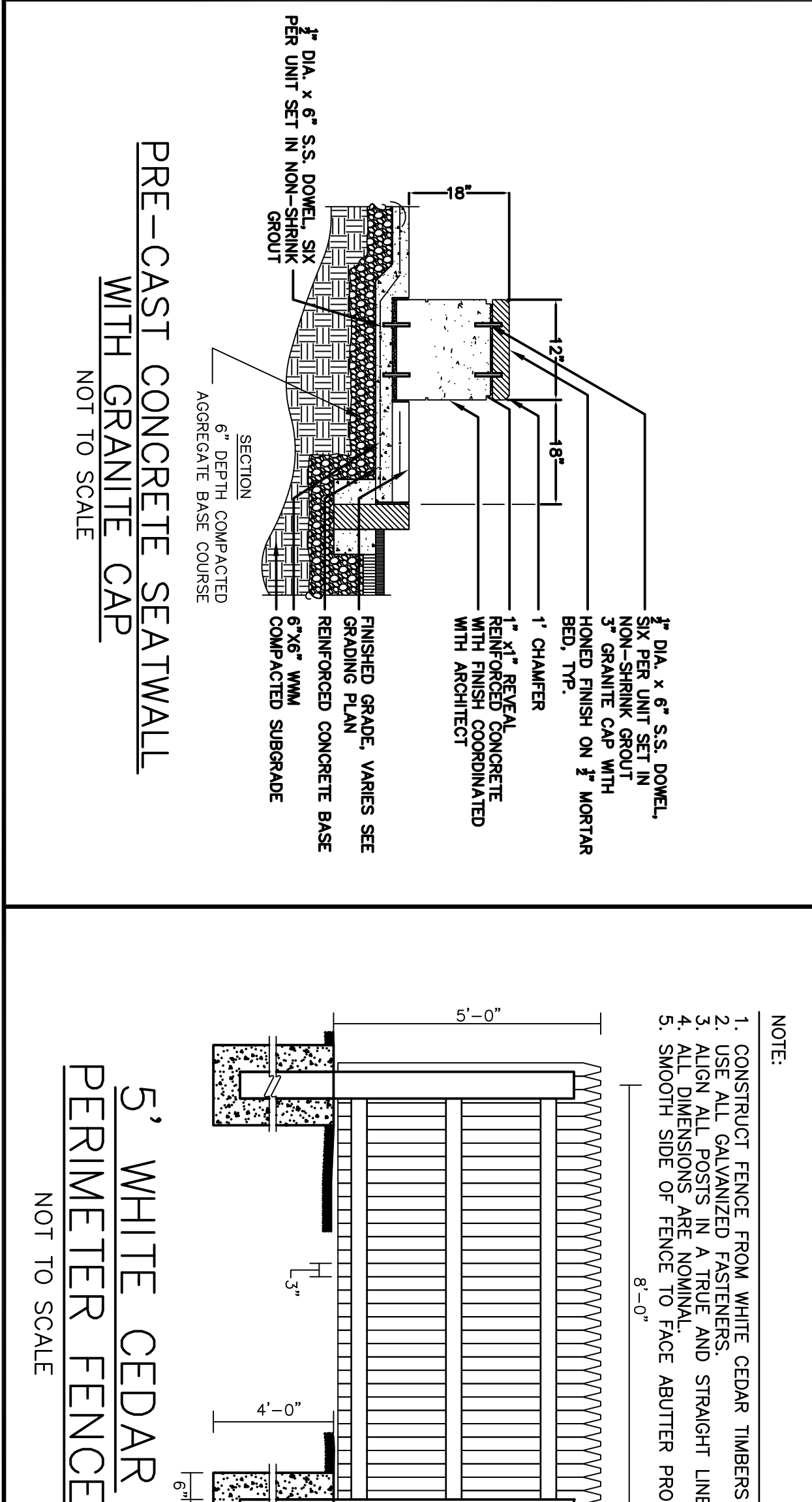
**DUMPSTER ENCLOSURE
 DOUBLE SWING GATE**
 NOT TO SCALE



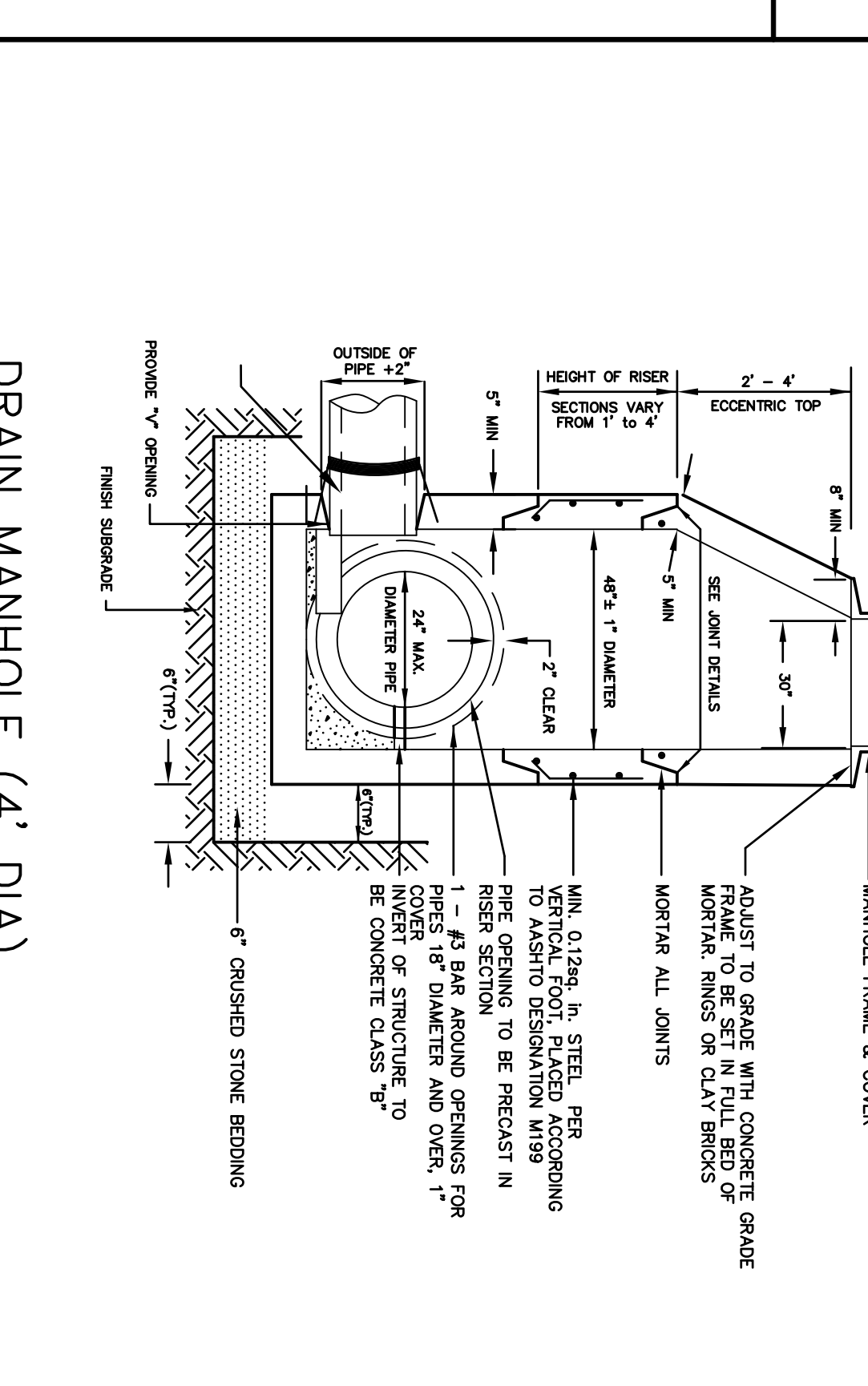
**DUMPSTER ENCLOSURE
 CHAIN LINK FENCE**
 NOT TO SCALE



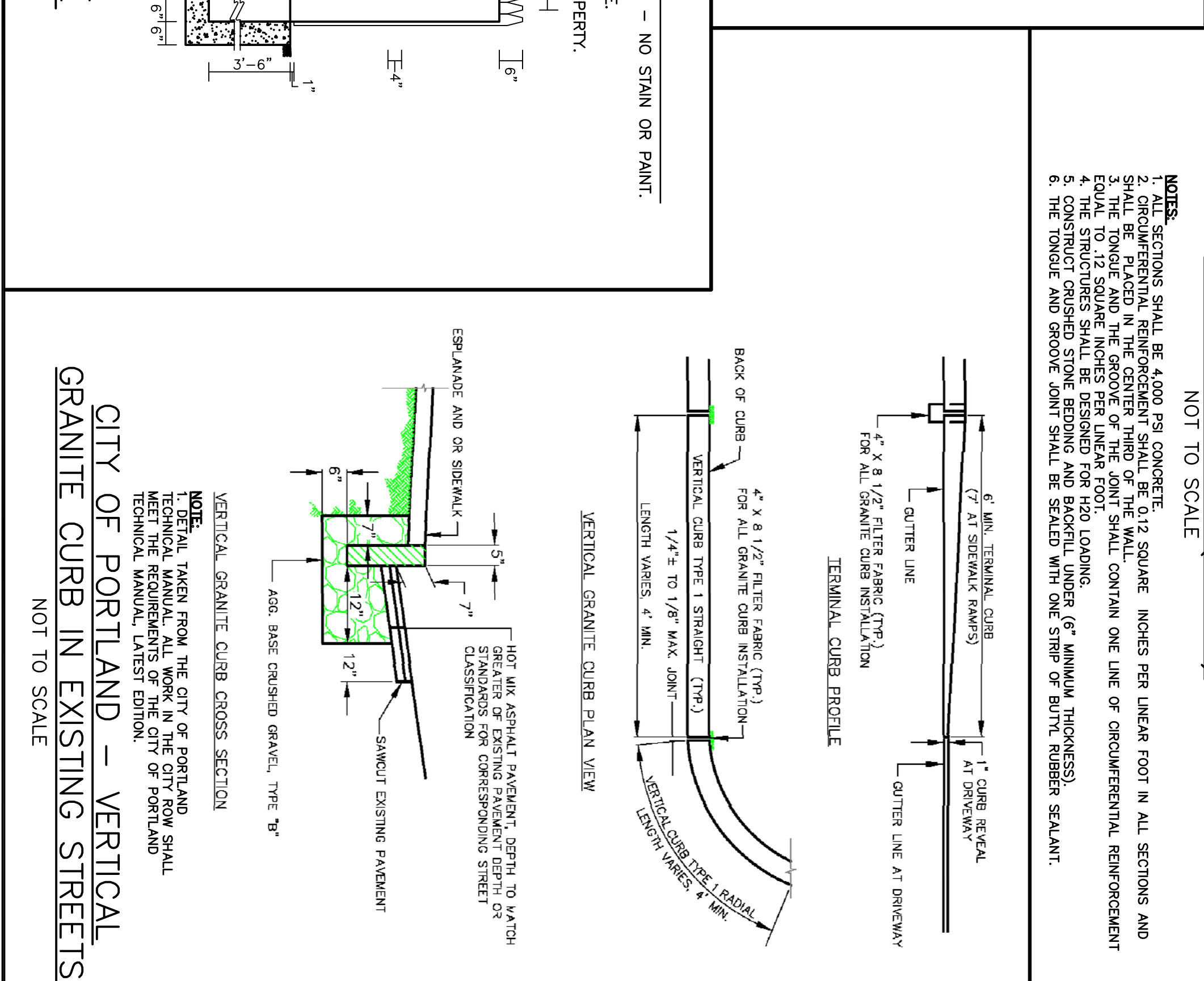
DRAIN MANHOLE FRAME & COVER
 NOT TO SCALE



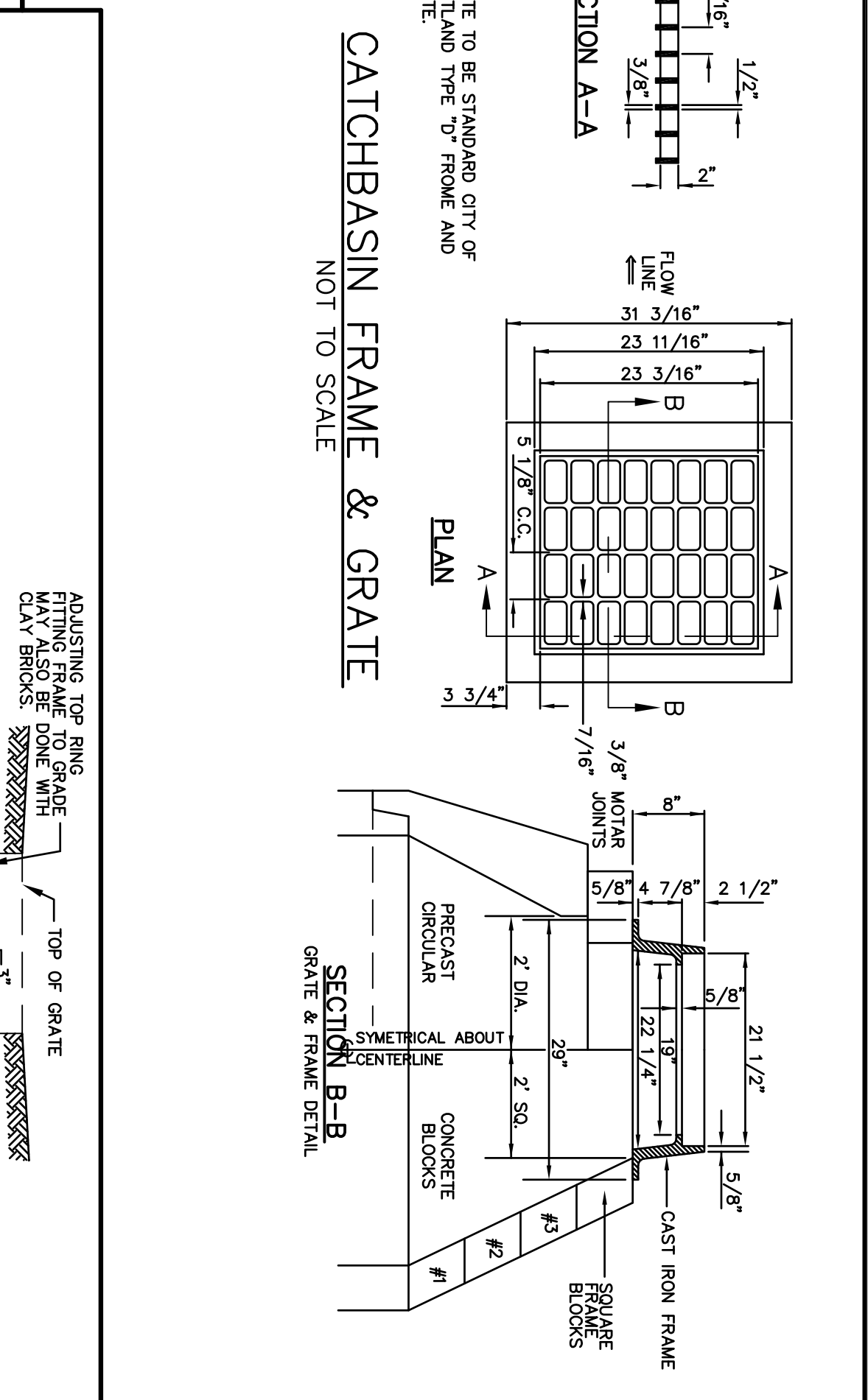
6' ORNAMENTAL ALUMINUM FENCE
 NOT TO SCALE



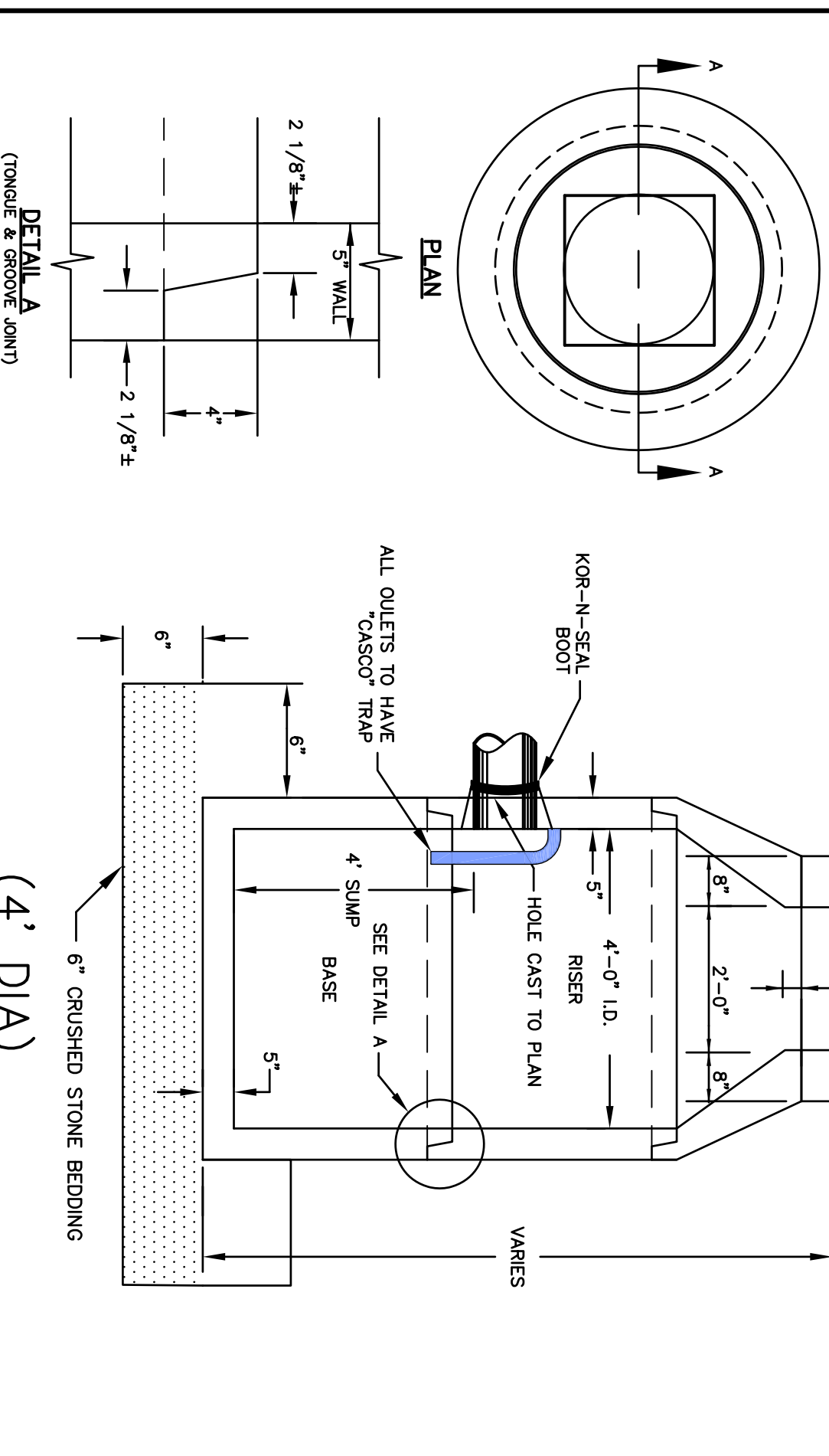
DRAIN MANHOLE (4' DIA)
 NOT TO SCALE



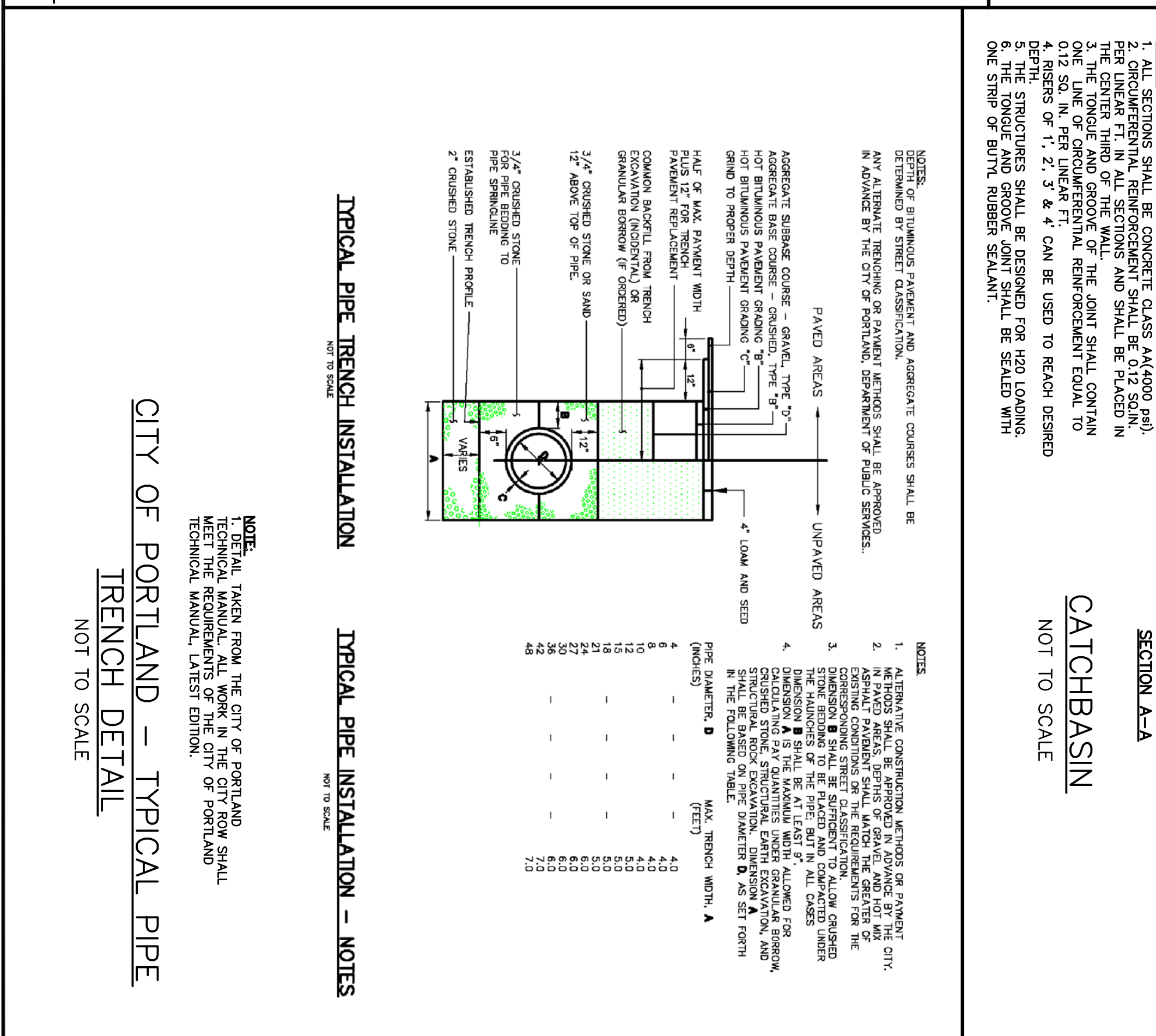
CITY OF PORTLAND - VERTICAL GRANITE CURB IN EXISTING STREETS
 NOT TO SCALE



CATCHBASIN FRAME & GRATE
 NOT TO SCALE



CATCHBASIN (4' DIA)
 NOT TO SCALE



CITY OF PORTLAND - TYPICAL PIPE TRENCH DETAIL
 NOT TO SCALE

Tighe & Bond
 Consulting Engineers
 www.tighebond.com

Jewish Community Alliance of Southern Maine
 Proposed Neighborhood Center
 Portland, Maine

October 1, 2015

SCALE: AS SHOWN

C-8

REVISIONS

3	6/24/16	REVISED FOR PB SUBMISSION
2	6/23/15	REVISED FOR PB SUBMISSION
1	5/8/15	REVISED FOR PB WORKSHOP

DATE: 6/24/16
 DRAWN BY: GWH
 CHECKED: BLM
 APPROVED BY: BLM

FILE: J0096-DETAILS.dwg
 PROJECT NO: J0096
 DRAWING NO: GWH