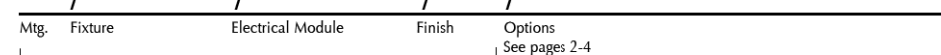


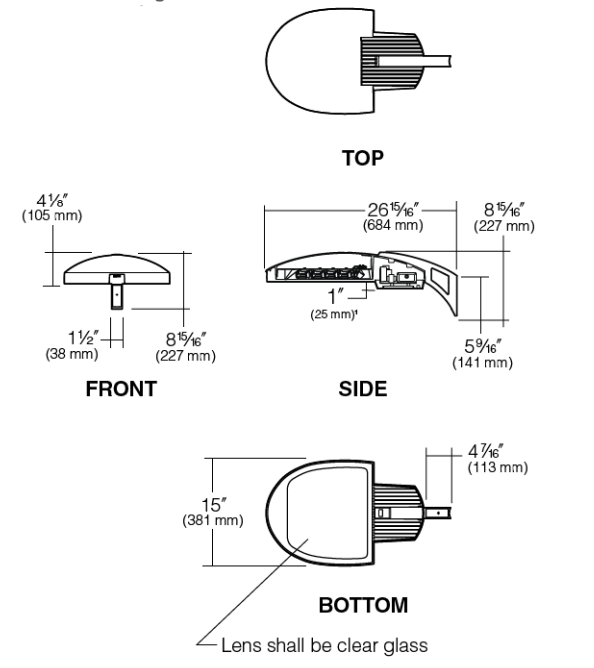
KIM LIGHTING

Type:
Job:
Catalog number:



Specifications

W995-LED
Small Electronic
60 Light Emitting Diodes = 65W
Maximum weight: 30 lbs.



NOTE: Driver compartment door extends down 1" on small housing to accommodate integral step-down transformer on 347V and 480V models only.

HUBBELL U.S. Patent 6,966,521
Patent Pending Optics

© 2014 KIM LIGHTING • 16555 EAST GALE AVENUE, CITY OF INDUSTRY, CA 91745-1788 • TEL: 626/968-5666 • FAX: 626/968-5716

W995-LED
WARP9® Small Picomitter™ LED
revision 8/18/14 • kim_w995led_spec.pdf

Approvals:
Date:
Page: 1 of 6

Housing: One-piece die-cast, low copper (<0.6% Cu) aluminum alloy with integral cooling ribs over the electrical compartment. Solid barrier wall separates optical and electrical compartments. A single die-cast aluminum cam latch provides positive locking and sealing of the optical chamber. A one-piece extruded and vulcanized silicone gasket seals the housing against the lens surface.

Lens: Clear 3/4" thick tempered glass lens retained by a stainless steel piano hinge and a single die-cast aluminum cam latch. The edges are chamfered to conceal the outer portion of the housing.

Electronic Module: All electrical components are UL and CSA recognized, mounted on a single plate and factory prewired with quick-disconnect plugs. Module includes a driver, thermal control device and surge protector. Electrical module attaches to housing with no-tool hinges and latches, accessible by opening the lens frame only. Driver is rated for 40PF starting and has a 0-10V dimming interface for multi-level illumination options.

Optical Module: Precision, replaceable Picomitters are positioned to achieve directional control toward desired task. The entire EmitDec® fastens to the housing as a one-piece module.

Dimming: The WARP9 LED luminaire can be dimmed from 0% to 100% by the use of its standard 0-10V interface device. To activate the dimming system, a wiring harness is supplied and attached to the DIM Port (DIM IN) on the LifeShield Protection System. This port allows the 0-10V interface to bypass the LifeShield and control the driver. The LifeShield works in conjunction with the control system to assure that overheating will not harm the LEDs. The wiring harness is connected with the positive (+) and the Grey lead as the negative (-) to an available control signal (by others).

Support Arm: Heavy cast, low copper aluminum alloy with stainless steel mounting bolts. A pole reinforcing plate is provided with wire strain relief. Arm is circular cut for specified round pole.

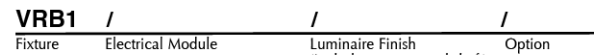
Finish: Each luminaire receives a fade and abrasion resistant, electrocoat applied, thermally cured, triglycidyl isocyanate (TGIC) polyester powdercoat finish. Standard colors include (B) Black, (DB) Dark Bronze, (WF) White, (PS) Platinum Silver, (SC) SeaShell Gray, (LG) Light Gray, and (CC) Custom Color (Include RAL).

Listed to: UL 1598 Standard for Luminaires - UL 8750 Standard for Safety for Light Emitting Diode (LED) Equipment for use in Lighting Products and CSA C22.2/250.0 Luminaires. RoHS compliant. Meets Buy American provisions within ARRA.
Warranty: Kim Lighting warrants WARP9 LED products ("Products") sold by Kim Lighting to be free from defects in material and workmanship for (i) a period of five (5) years for metal parts, (ii) a period of five (5) years for exterior housing paint finishes, (iii) a period of six (6) months for LED light engines (Picomitters) and, (iv) a period of five (5) years for LED power components (LED Driver, LifeShield® device, surge protector), from the date of sale of such goods to the buyer as specified in Kim Lighting shipment documents for each product.

CAUTION: Fixtures must be grounded in accordance with national, state and/or local electrical codes. Failure to do so may result in serious personal injury.
KIM LIGHTING RESERVES THE RIGHT TO CHANGE SPECIFICATIONS WITHOUT NOTICE.

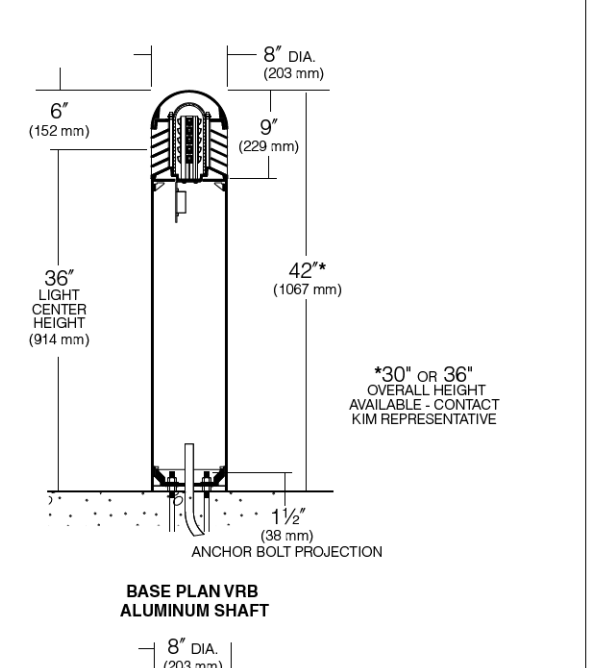
KIM LIGHTING

Type:
Job:
Catalog number:



Specifications

VRB-LED Models
10 - 20 Diodes
VRB1- Single Function Luminaire (Aluminum Shaft)
Maximum weight: 30 lb



NOTE: Driver compartment door extends down 1" on small housing to accommodate integral step-down transformer on 347V and 480V models only.

HUBBELL U.S. Patent 6,966,521
Patent Pending Optics

© 2014 KIM LIGHTING • 16555 EAST GALE AVENUE, CITY OF INDUSTRY, CA 91745-1788 • TEL: 626/968-5666 • FAX: 626/968-5716

VRB1 LED Round Bollard
Single Function, Vandal-Resistant, Aluminum Shaft
revision 8/7/14 • kl_vrb1led_spec.pdf

Approvals:
Date:
Page: 1 of 3

Specifications

Domed Top Cap: One-piece die-cast aluminum secured to louvers by concealed allen screws in keyhole slots. For re-lamping access, allen screws shall not require complete removal.

Lamp Enclosure: One-piece tempered molded glass with integral hinges and full gasketing at bottom edge.

Electronic Module: All electrical components are either UL or ETL recognized, mounted on a single plate and factory prewired with quick disconnect plugs. Driver is rated for 40PF starting and has a 0-10V dimming interface for multi-level illumination options.

Optical Module: Each LED equipped with a directional optic for maximum beam angle projecting through louvre stack spacings. LED boards to be mounted to an anodized interlocking heat sink extrusion. (Type II) two 5-LED boards for a total of 10-LED. (Type III) three 5-LED boards for a total of 15-LED. (Type V) four 5-LED boards for a total of 20-LED. Available in 3000K Amber, 3000K, 4200K and 5100K color temperatures.

Anchor Bolts: Four 3/8" x 10" x 2" zinc plated L-bolts, each with two nuts, washers and a rigid pressed board template.

Finish: Each luminaire receives a fade and abrasion resistant, electrocoat applied, thermally cured, triglycidyl isocyanate (TGIC) polyester powdercoat finish. Standard colors include (B) Black, (DB) Dark Bronze, (WF) White, (PS) Platinum Silver, (SC) SeaShell Gray, (LG) Light Gray, and (CC) Custom Color (Include RAL).

Listed to: UL 1598 Standard for Luminaires - UL 8750 Standard for Safety for Light Emitting Diode (LED) Equipment for use in Lighting Products and CSA C22.2/250.0 Luminaires. RoHS compliant. Meets Buy American provisions within ARRA.
Warranty: Kim Lighting warrants Bollard LED products sold by Kim Lighting to be free from defects in material and workmanship for (i) a period of five (5) years for metal parts, (ii) a period of five (5) years for exterior housing paint finishes, (iii) a period of five (5) years for LED power components (LED Driver, LifeShield® device, surge protector) and LifeShield® device, from the date of sale of such goods to the buyer as specified in Kim Lighting shipment documents for each product.

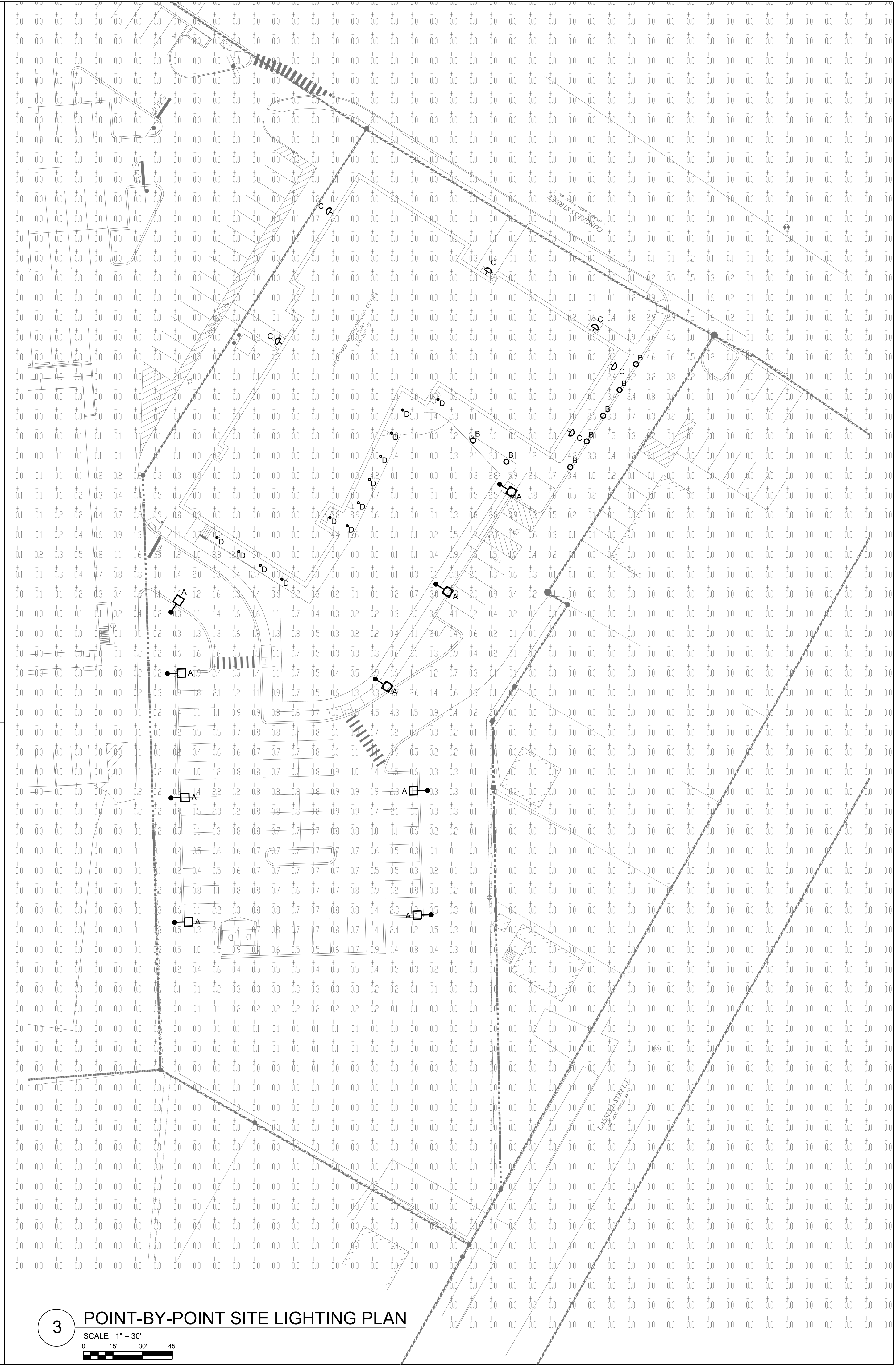
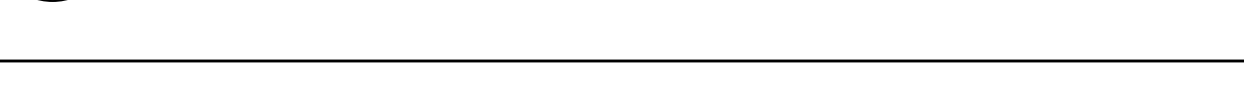
CAUTION: Fixtures must be grounded in accordance with national, state and/or local electrical codes. Failure to do so may result in serious personal injury.
KIM LIGHTING RESERVES THE RIGHT TO CHANGE SPECIFICATIONS WITHOUT NOTICE.

POLE MOUNTED LIGHTS (TYPE A) WITH HOUSE SIDE SHIELD

LARGE SCALE MOUNTED ON 24' POLE IN PARKING LOT. SIX LOCATIONS. SYMBOL - [Symbol]
SMALL SCALE MOUNTED ON 12' POLE ALONG DRIVE AND PARKING NEAR RESIDENCES. THREE LOCATIONS. SYMBOL - [Symbol]



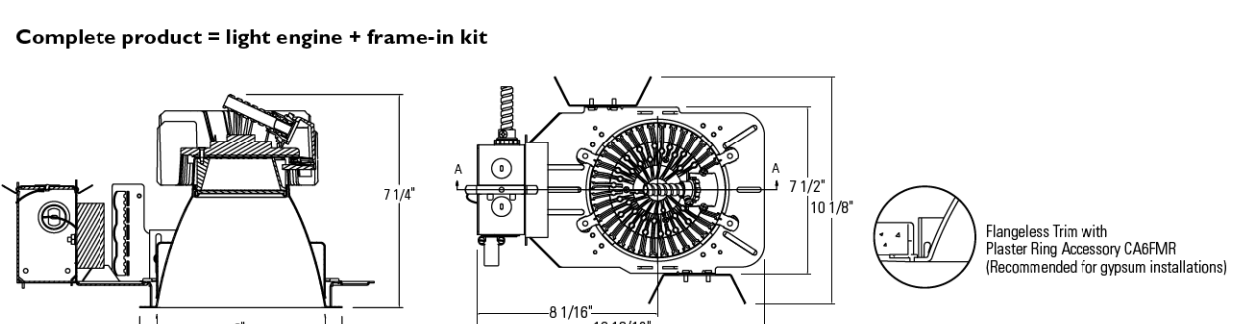
BOLLARD LIGHT (TYPE B)



C6L1520DL(M)
Calculte LED 6", Downlight, Medium Beam

Project:
Location:
Catalog No:
Fixture Type:
Mfg:
Qty:

Complete product = light engine + frame-in-kitt



Ordering guide: Light engine
example: C6L1520DL360CCLVEM91A

Table with columns: Light engine, CCT, Beam spread, Reflector finish, Flange, Option, CRI. Includes rows for C6L1520DL, C6L1520DL2, and C6L1520DL3.

Ordering guide: Frame-in-kitts
example: C6L1520DLVEM

Table with columns: Frame-in-kitt, Installation options, Input voltage, Driver, Options. Includes rows for C6L15, C6L20, and C6L25.

Features
Aperture: 6" (152 mm) LD, 7 1/4" (184mm) O.D.
Removes Phosphor Technology (Removes yellowing and color shift)
Depth (including Frame-in-kitt) 7 1/4" (184mm)
Power Connection: Attaches to frame-in-kitt via push-in connector (on frame). Removable cover provides access.

Technology
LED board: Array of high brightness royal blue LEDs.
Emergence Phosphor Technology (Removes yellowing and color shift)
Optical Mixing Chamber: Light-specific mixing chamber redirects back-reflected light through aperture resulting in 20% increase in efficiency.
Thermal Management: Heat sink and thermal design along with clean room assembly ensures specified performance.
Rated Life: Based on IESNA LM-79-0308
1500 Lumens - 48,000 hours @ 70% lumen maintenance.
2000 Lumens - 52,000 hours @ 70% lumen maintenance.
Photometric Accuracy: Tested in accordance to IESNA LM-79-0308

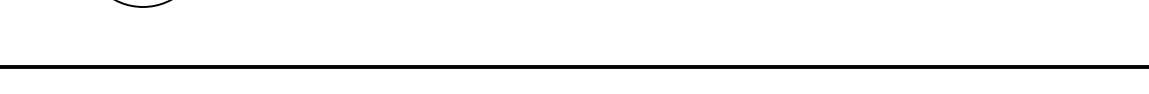
Options
Dimming capability: 0-10V. See LED-DIM spec sheet.
Emergency capability: (integrate) Add "EM" suffix. See LED-EM spec sheet.
Emergency capability (overvoltage): See LED-LM spec sheet.

Labels
UL Luminaires for wet locations, UL E, UL E.W.
3 year warranty.

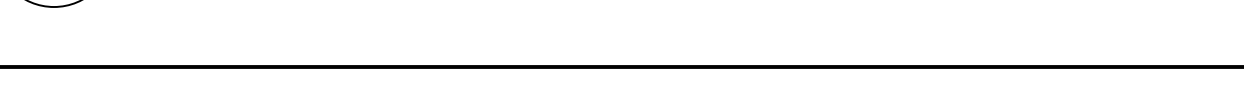
Notes:
1. Available in 1" only.
2. Available in 1.5" only.
3. Available in 2" only.
4. Available with CFL only.
5. Available with LED only.
6. Available with LED only.
7. Available with LED only.
8. Available with LED only.
9. Available with LED only.
10. Available with LED only.

Cooper Lighting
E.C.M.
© 2014 Cooper Lighting
2014.06.05 08:20:08

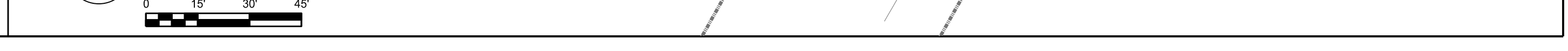
EXTERIOR BUILDING MOUNTED (TYPE C)



EXTERIOR CANOPY MOUNTED (TYPE D)



POINT-BY-POINT SITE LIGHTING PLAN



HARRIMAN

AUBURN PORTLAND MANCHESTER

JEWISH COMMUNITY ALLIANCE OF SOUTHERN MAINE

Portland, Maine

Table with columns: Harriman Project No., 15309; Key Plan, Prog North.

Issues and Revisions table with columns: Mark, Date, Description. Includes entries for 06-24-15 PLANNING BOARD SUBMISSION, 07-13-15 PROGRESS UPDATE, 09-04-15 DESIGN DEVELOPMENT REVIEW, and 06-24-16 REVISED FOR PB SUBMISSION.

PRELIMINARY NOT FOR CONSTRUCTION

PA / PE: JWT
Drawn By: JMB

© 2016 Harriman Associates

SITE LIGHTING PLAN

E80.1