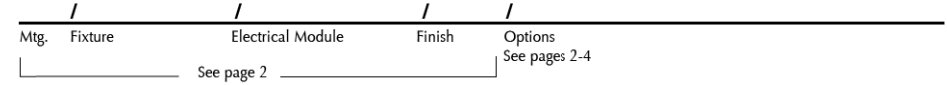
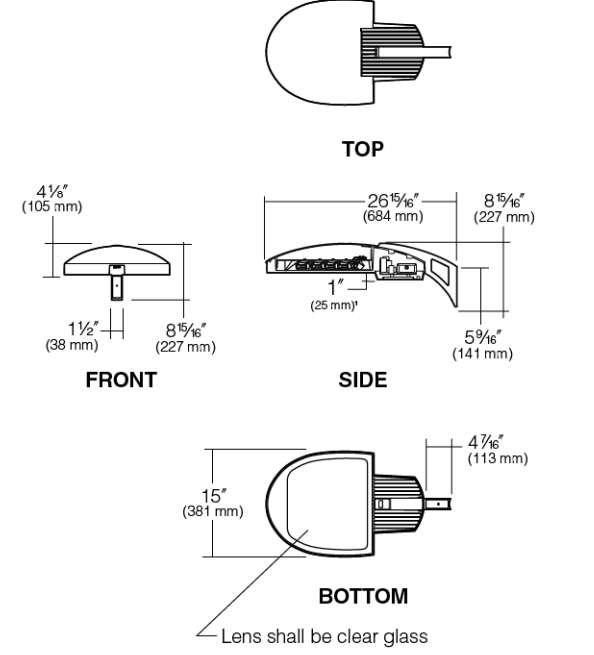


KIM LIGHTING
Type:
Job:
Catalog number:



Specifications

W99S-LED
Small Electronic
60 Light Emitting Diodes
Total Max System Watts = 65W
Maximum weight: 30 lbs.



NOTE: Driver compartment door extends down 1" on small housing to accommodate integral step-down transformer on 347V and 480V models only.



© 2014 KIM LIGHTING • 16555 EAST GALE AVENUE, CITY OF INDUSTRY, CA 91745-1788 • TEL: 626/908-5666 • FAX: 626/958-5716

NOTE:
LARGE SCALE MOUNTED ON 24' POLE IN PARKING LOT. SIX LOCATIONS. SYMBOL -
SMALL SCALE MOUNTED ON 12' POLE ALONG DRIVE AND PARKING NEAR RESIDENCES. THREE LOCATIONS. SYMBOL -

4 POLE MOUNTED LIGHTS (TYPE A) WITH HOUSE SIDE SHIELD
SCALE: NO SCALE

DESCRIPTION	Catalog #	Type
682-WP "Floating" Wedge Wall Sconce features bronze construction and is available in two sizes.		

Project	Comments	Date

Prepared by:

SPECIFICATION FEATURES

Material: Painted aluminum or solid bronze, 1/8" white acrylic diffuser for CFL/LED, and clear tempered glass for full cut-off.
Finish: Premium TGIC polyester powder coat paint, 2.5 mil nominal thickness for superior protection against fade and wear.
Standard: Natural Bronze (NBZ) (Sustainable Design).
Note: Bronze will weather to a dark bronze patina.
Premium: Aluminum Paint (ALP), Black Paint (BK), Bronze Metallic Paint (BM), Dark Platinum Paint (DPL), Gold Metallic Paint (GM), Graphite Metallic Paint (GMP), Grey Paint (GV), Verdigris (VG), White Paint (WH) or Custom Color (CC).
Optics: Refer to www.shaperlighting.com for complete photometrics.
Ballast: Integral electronic HPM multi-volt 120/277V (347V Canada), thermally protected with end-of-life circuitry to accommodate 26W, 32W or 42W lamps.
Material: Metal halide ballasts are HPM open core & coil types, multi-volt 120/277V for the specified lamp wattages. Contact the factory for 347V.
Lamp/Socket: 8" Dia (I) or two (2) 26W or 32W (I) lamps (GX24q-4) triple CFL lamp, or one (1) 79W or 19 lamps, or one (1) 26W, 32W (GX24q-3) or 42W (GX24q-4) triple CFL lamp, one (1) 50W, 70W or 50W/ED-17 Metal halide lamp or one (1) 100W A-19 lamp.
CFL socket: Injection molded plastic, INC socket fired ceramic rated for 600V/250V, MH socket ceramic pulse-rated, 4KV, INC socket fired ceramic rated for 600V/250V. Lamps furnished by others.
LED: 8" LD, 1000 lumen lumens at max 15.5W.
Long-life LED system: Coupled with electrical driver to deliver optimal performance. Electronic drivers are available for 120-277 applications. The standard driver is ELV forward protected with end-of-life circuitry to accommodate 26W, 32W or 42W lamp wattages. Type IV reverse photo is standard.

ORDERING INFORMATION
Sample Number: 682-11-WP-MM/170-277V-VB-N

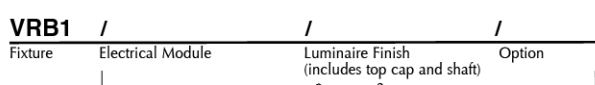
Series	Size	Mounting Type	Lamp	Voltage	Finish	Options
682-11-WP-MM	11"	Wedge Wall	CFL/26/32W/Triples CFL/26/32W/Triples INC/79 INC/19x2 MH/170 MH/100	277V 347V	NBZ-Natural Bronze ALP-Aluminum Paint BK-Black BM-Bronze Metallic Paint CC-Custom Color DPL-Dark Platinum Paint GM-Gold Metallic Paint GMP-Graphite Metallic Paint GV-Verdigris WH-White	BB-Bronze C-Beam (through wall) Feed-Connect M-Mounting GR-Quartz Restraint TGL-Clear Tempered Glass Lens

Series	Size	Mounting Type	Lamp	Voltage	Finish	Options
682-11-WP-MM	11"	Wedge Wall	CFL/26/32W/Triples CFL/26/32W/Triples INC/79 INC/19x2 MH/170 MH/100	277V 347V	NBZ-Natural Bronze ALP-Aluminum Paint BK-Black BM-Bronze Metallic Paint CC-Custom Color DPL-Dark Platinum Paint GM-Gold Metallic Paint GMP-Graphite Metallic Paint GV-Verdigris WH-White	BB-Bronze C-Beam (through wall) Feed-Connect M-Mounting GR-Quartz Restraint TGL-Clear Tempered Glass Lens

Cooper Lighting
by **ETM**

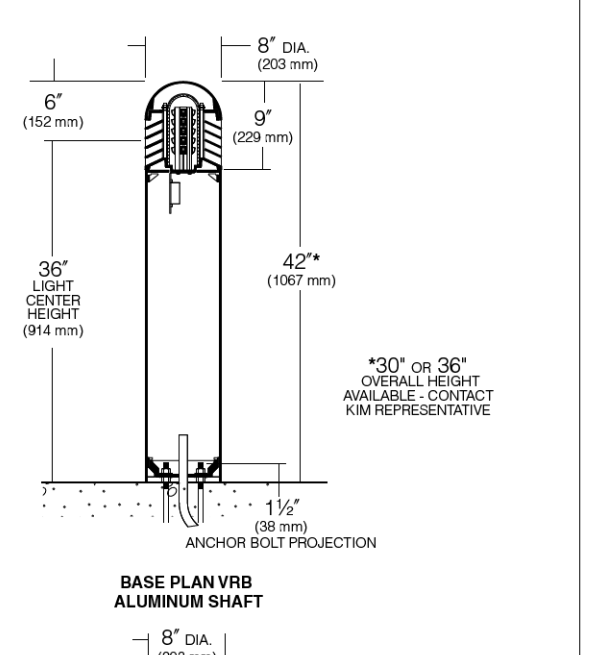
1 EXTERIOR BUILDING MOUNTED (TYPE C)
SCALE: NO SCALE

KIM LIGHTING
Type:
Job:
Catalog number:



Specifications

VRB-LED Models
10-20 Diodes
VRB1- Single Function Luminaire (Aluminum Shaft)
Maximum weight: 30 lb



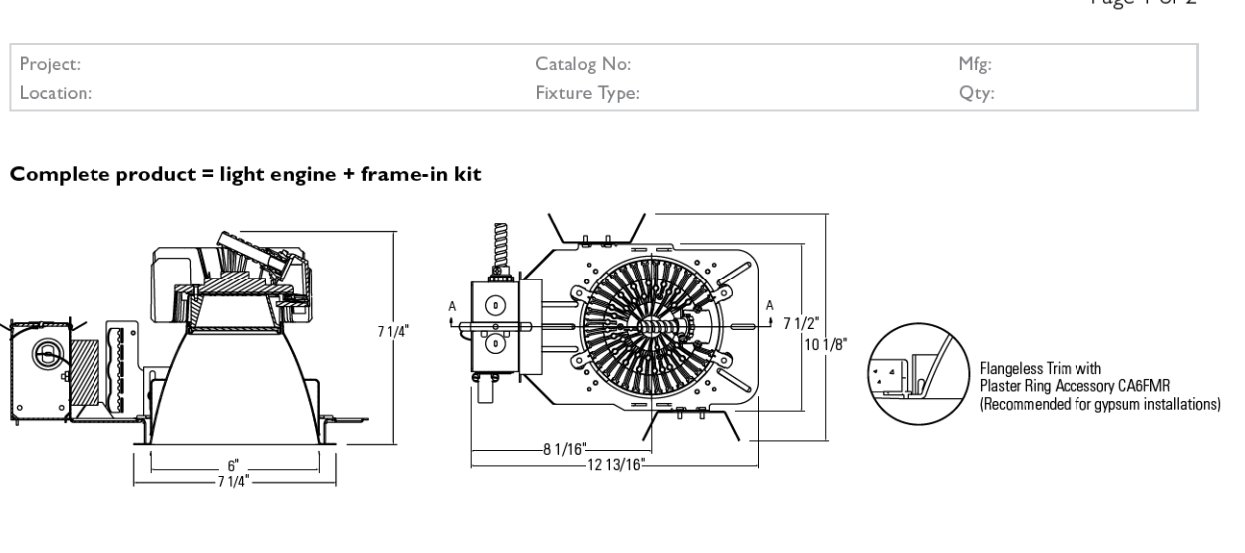
NOTE: Driver compartment door extends down 1" on small housing to accommodate integral step-down transformer on 347V and 480V models only.



© 2014 KIM LIGHTING • 16555 EAST GALE AVENUE, CITY OF INDUSTRY, CA 91745-1788 • TEL: 626/908-5666 • FAX: 626/958-5716

5 BOLLARD LIGHT (TYPE B)
SCALE: NO SCALE

C6L1520DL(M)
Calculte LED 6", Downlight, Medium Beam



Project: Location: Catalog No: Mfg: Qty:

Light engine	Beam spread	Reflector finish	Flange	Option	CRI
C6L1520DL(M) Calculte LED 6", 27K 2700K 1500/2000 Lumens, Downlight	4" beam, 0.8 x 4"	CCL Comfort clear CCK Comfort clear diffuser CCE Chameleon bronze CCH Comfort clear CCH Comfort clear	FW Flange white P Aperture-matching F Polished FT Flush-mount/flangeless	EH Integral emergency switch	90 400K (+80) 2700K (79)

ORDERING GUIDE: FRAME-IN-KITS

Frame-in-kits series	Installation options	Input voltage	Driver	Options
C6L15 Calculte LED 6", 1500 lumens	N New construction	1 120V	ZHV 0-10V dimming	EH Emergency
C6L20 Calculte LED 6", 2000 lumens	N New construction	2 277V	LD Lutron driver* (1000 lumens only)	EH Emergency

Features: Aperture: 6" (152 mm) LD, 7 1/4" (184 mm) O.D. Light Output: 1500 Lumens (2700K) or 2000 Lumens (3000K). Reflector Case: Aluminum. Provides 50° cutoff to source & source image. Self-latching. Depth (including frame-in kit): 7 1/4" (184 mm). Power Connection: Attaches to frame-in kit via push-in connector (on frame). Removable cover provides access.

Technology: LED board: Array of high brightness royal blue LEDs. Emergence Phosphor Technology: Emergence phosphor technology provides increased efficiency and color consistency. Phosphor lens assembly positioned in front of LED array converts blue light to white. Color shift will not exceed +/- 10K over life.

Options: Dimming capability: 0-10V. Use LED-DIM spec sheet. Emergence capability: Integral Add "EM" suffix. See LED-EM spec sheet. Emergency capability (over-voltage): See LED-EH spec sheet.

Labels: UL, ULX, ULX-EW.

Labels: UL, ULX, ULX-EW.

Rated Life: Based on IESNA LM-80-2008
1500 Lumens - 48,000 hours at 70% lumen maintenance.
2000 Lumens - 52,000 hours at 70% lumen maintenance.
Photometric Performance: Tested in accordance with IESNA LM-79-2008.

© 2014 Kim Lighting. All rights reserved. Specifications are subject to change without notice.

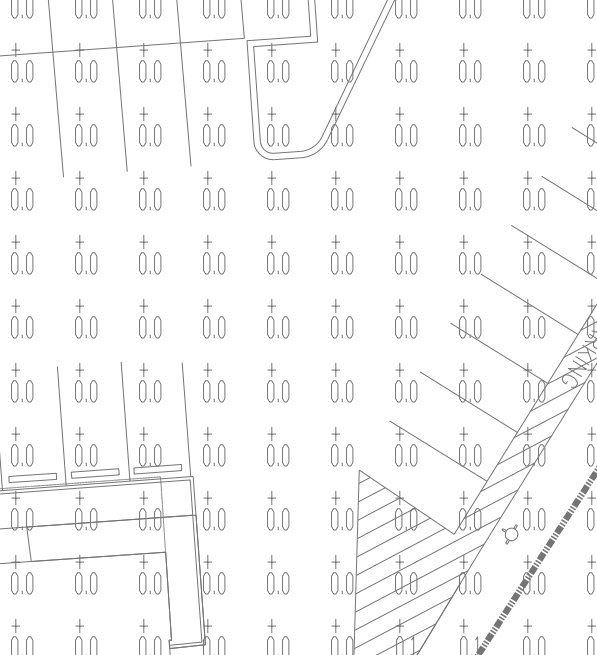
2 EXTERIOR CANOPY MOUNTED (TYPE D)
SCALE: NO SCALE

KIM LIGHTING
Type:
Job:
Catalog number:

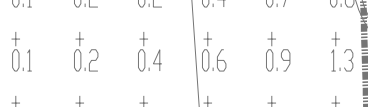


Specifications

VRB-LED Models
10-20 Diodes
VRB1- Single Function Luminaire (Aluminum Shaft)
Maximum weight: 30 lb

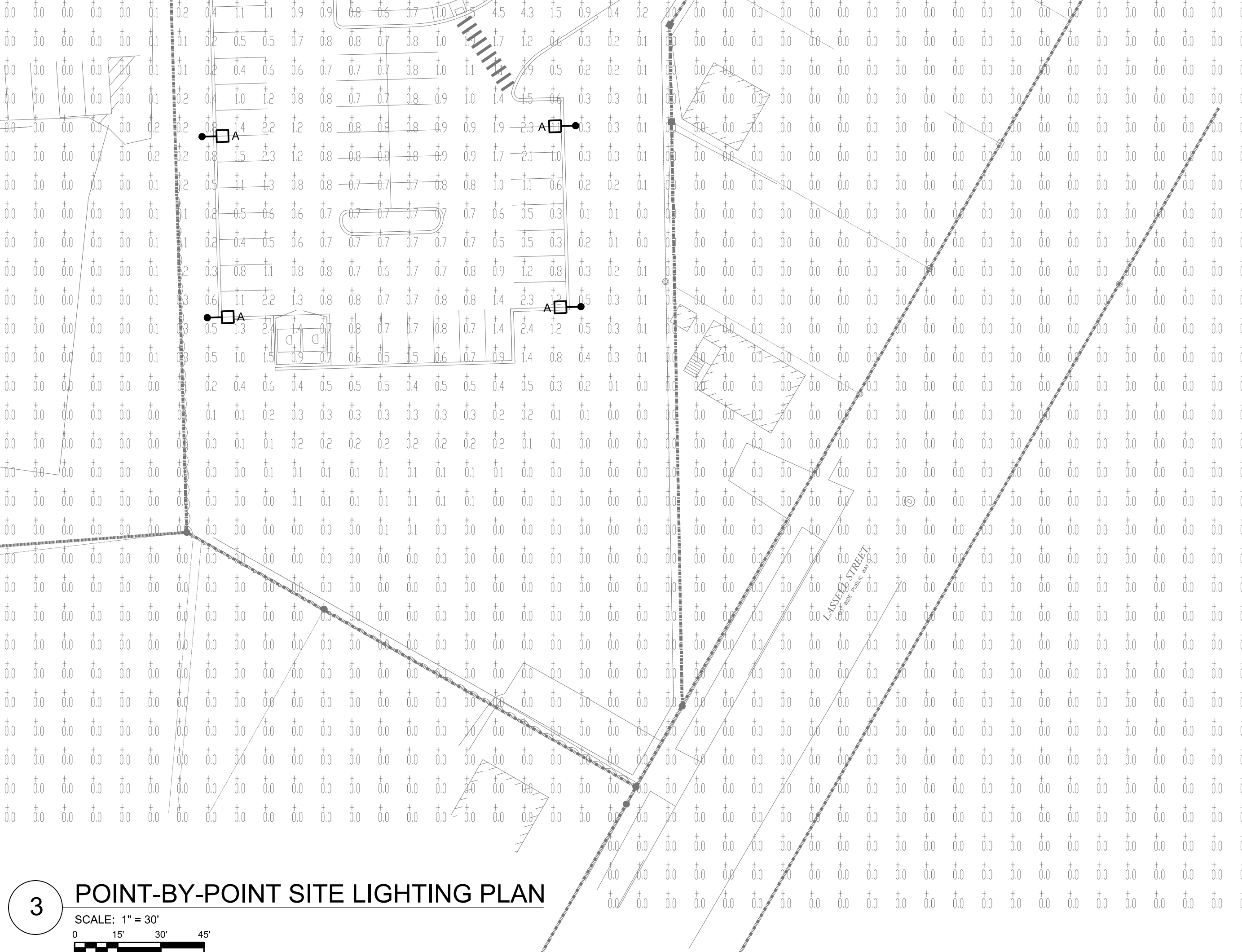


NOTE: Driver compartment door extends down 1" on small housing to accommodate integral step-down transformer on 347V and 480V models only.



© 2014 KIM LIGHTING • 16555 EAST GALE AVENUE, CITY OF INDUSTRY, CA 91745-1788 • TEL: 626/908-5666 • FAX: 626/958-5716

3 POINT-BY-POINT SITE LIGHTING PLAN
SCALE: 1" = 30'
0 15' 30' 45'



JEWISH COMMUNITY ALLIANCE OF SOUTHERN MAINE

Portland, Maine
Harriman Project No. 15309
Key Plan
Prog North

Issues and Revisions

Mark	Date	Description
-	06-24-15	PLANNING BOARD SUBMISSION

PRELIMINARY NOT FOR CONSTRUCTION

Drawing Scales

PA / PE: JWT
Drawn By: JMB

© 2015 Harriman Associates

SITE PLAN LIGHTING

E80.1