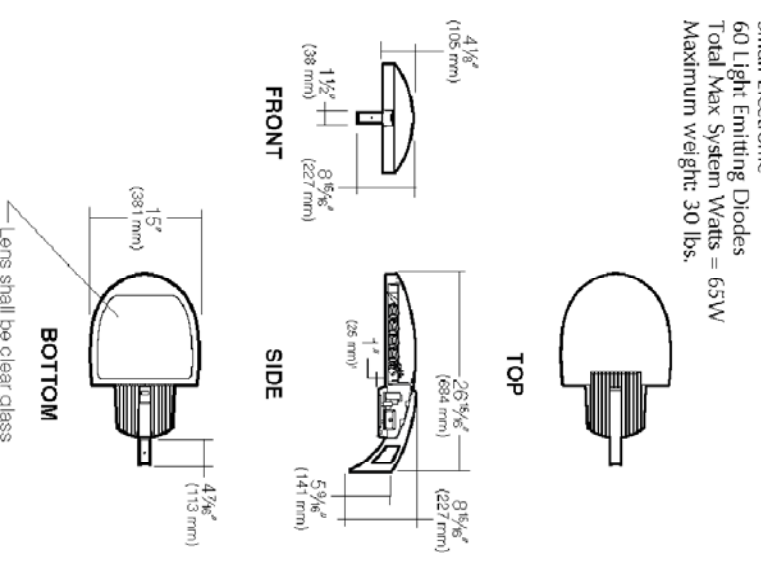


KIM LIGHTING
 Type: WPP9S-LED
 Job: Jewish Community Alliance of Southern Maine
 Catalog number: WPP9S-LED
 WPP9S Small Pictometer™ LED
 Custom DIMM • dim, sync, dim, special
 Approvals:

Date: Page 1 of 6
 Select path from Luminaire and Fixture Selection Guide if path is provided by other catalog. O.D. for mounting.
 Page: 1 of 6
 Size: 1/4" x 1/4" x 1/4"

Specifications
WPP9S-LED
 Small Pictometer™ LED
 Full Power Output: 10W
 Full Power Input: 12W
 Full Power Voltage: 120V
 Full Power Current: 0.83A
 Maximum Weight: 20 lbs



PROPOSED SITE LIGHTING FIXTURE

U.S. Patent 7,884,821
 Patent Pending China
 © 2011 KIM LIGHTING • 10820 EAST SATEL AVENUE, CITY OF RAINBOW, CA 92671-7109 • TEL: 951-259-0996 • FAX: 951-259-0975

Mounting: One-point, direct, low, support. 1-1/2" Dia. aluminum alloy with integral cooling fins over the electrical compartment. A standard mounting arm is included. The mounting arm is made of aluminum and is available in 1/2", 1", 1 1/2", 2", 3", 4", 5", 6", 7", 8", 9", 10", 11", 12", 13", 14", 15", 16", 17", 18", 19", 20", 21", 22", 23", 24", 25", 26", 27", 28", 29", 30", 31", 32", 33", 34", 35", 36", 37", 38", 39", 40", 41", 42", 43", 44", 45", 46", 47", 48", 49", 50" lengths. A complete mounting arm set is included. A complete mounting arm set is included. A complete mounting arm set is included.

Lens: Clear, 1/2" thick, tempered glass lens mounted by a stainless steel cap nut. The lens is held in place by a stainless steel cap nut. The lens is held in place by a stainless steel cap nut. The lens is held in place by a stainless steel cap nut.

Electronic Module: All electrical components are UL and CE listed. The electronic module is housed in a stainless steel enclosure. The electronic module is housed in a stainless steel enclosure. The electronic module is housed in a stainless steel enclosure.

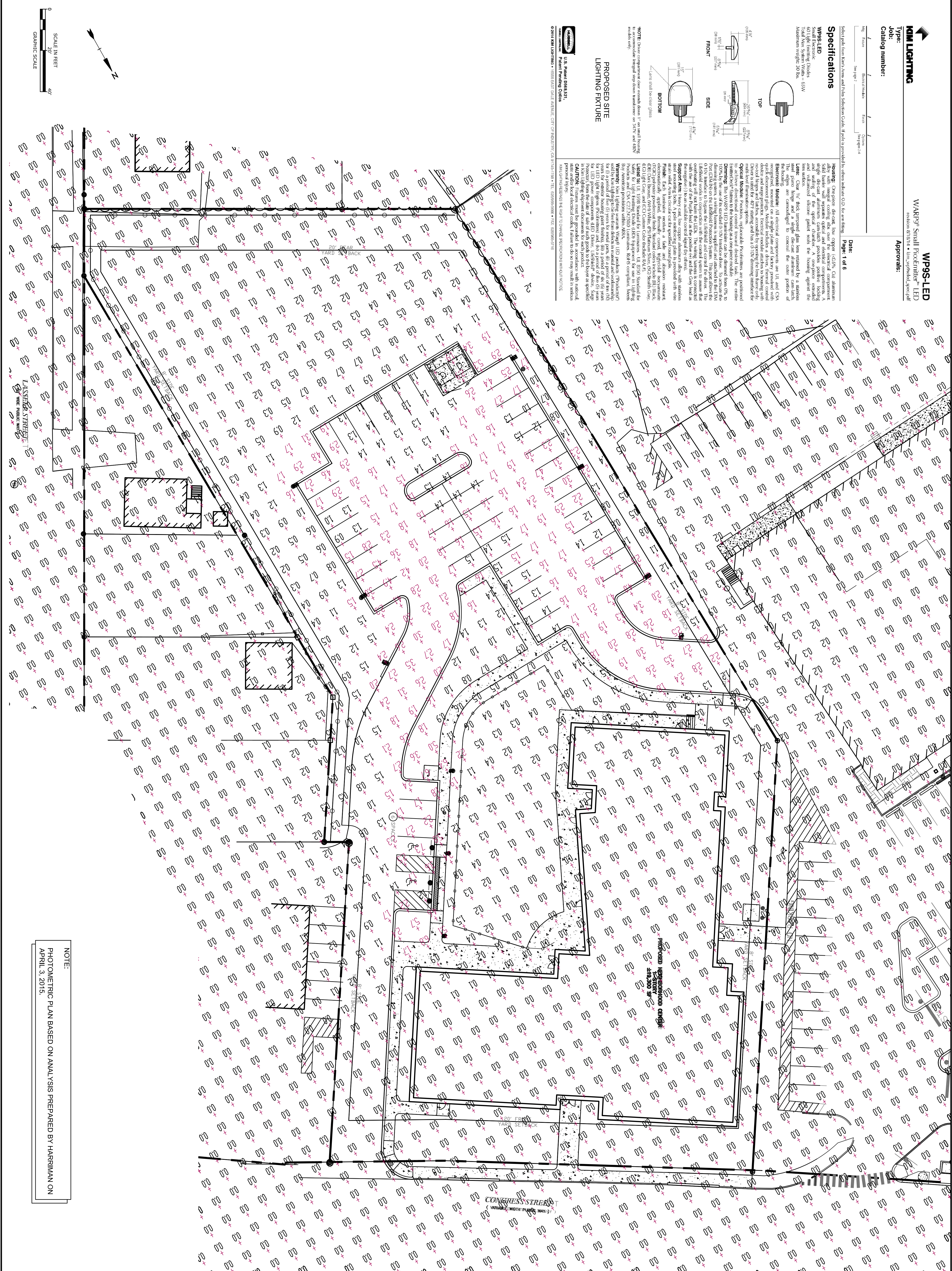
Dimming: The WPP9S LED luminaire can be dimmed from 0% to 100% by the use of a standard 0-10V dimmer driver. To activate the dimming function, the luminaire must be connected to a dimmer driver. The luminaire must be connected to a dimmer driver. The luminaire must be connected to a dimmer driver.

Support Arm: Heavy cast, low copper aluminum alloy with stainless steel mounting yoke. A pole reinforcing plate is provided with wire threaded ends. The support arm is made of aluminum and is available in 1/2", 1", 1 1/2", 2", 3", 4", 5", 6", 7", 8", 9", 10", 11", 12", 13", 14", 15", 16", 17", 18", 19", 20", 21", 22", 23", 24", 25", 26", 27", 28", 29", 30", 31", 32", 33", 34", 35", 36", 37", 38", 39", 40", 41", 42", 43", 44", 45", 46", 47", 48", 49", 50" lengths.

Finish: Each luminaire receives a salt and abrasion resistant electrocoat finish. The finish is made of aluminum and is available in 1/2", 1", 1 1/2", 2", 3", 4", 5", 6", 7", 8", 9", 10", 11", 12", 13", 14", 15", 16", 17", 18", 19", 20", 21", 22", 23", 24", 25", 26", 27", 28", 29", 30", 31", 32", 33", 34", 35", 36", 37", 38", 39", 40", 41", 42", 43", 44", 45", 46", 47", 48", 49", 50" lengths.

Warranty: Sun Lighting Systems' WPP9S LED products ("Products") sold by Sun Lighting Systems are warranted to be free of defects in material and workmanship for a period of 5 years from the date of installation. The warranty is made of aluminum and is available in 1/2", 1", 1 1/2", 2", 3", 4", 5", 6", 7", 8", 9", 10", 11", 12", 13", 14", 15", 16", 17", 18", 19", 20", 21", 22", 23", 24", 25", 26", 27", 28", 29", 30", 31", 32", 33", 34", 35", 36", 37", 38", 39", 40", 41", 42", 43", 44", 45", 46", 47", 48", 49", 50" lengths.

Notes: Sun Lighting Systems' WPP9S LED products ("Products") sold by Sun Lighting Systems are warranted to be free of defects in material and workmanship for a period of 5 years from the date of installation. The warranty is made of aluminum and is available in 1/2", 1", 1 1/2", 2", 3", 4", 5", 6", 7", 8", 9", 10", 11", 12", 13", 14", 15", 16", 17", 18", 19", 20", 21", 22", 23", 24", 25", 26", 27", 28", 29", 30", 31", 32", 33", 34", 35", 36", 37", 38", 39", 40", 41", 42", 43", 44", 45", 46", 47", 48", 49", 50" lengths.



NOTE:
 PHOTOMETRIC PLAN BASED ON ANALYSIS PREPARED BY HARRIMAN ON
 APRIL 3, 2015.

<p>Tighe & Bond Consulting Engineers www.tighebond.com</p>		<p>Jewish Community Alliance of Southern Maine Proposed Neighborhood Center Portland, Maine</p>	
<p>April 03, 2015</p>		<p>PHOTOMETRIC PLAN</p>	
<p>SCALE: AS SHOWN</p>		<p>C-9</p>	
<p>Mark</p>	<p>Date</p>	<p>Description</p>	<p>Project No.</p>
<p>FILE:</p>	<p>J0094-SITE.dwg</p>	<p>4-0096</p>	<p>J0094-SITE.dwg</p>
<p>DRAWN BY:</p>	<p>GWH</p>	<p>BLM</p>	<p>BLM</p>
<p>CHECKED:</p>	<p>BLM</p>	<p>BLM</p>	<p>BLM</p>
<p>APPROVED BY:</p>	<p>BLM</p>	<p>BLM</p>	<p>BLM</p>