

Indoor Speaker Strobe Detail

LEGEND:

| RISER DIAG SYM | NFPA SYMBOL | DESCRIPTION | CATALOG # |
|-----------------|-------------|----------------------------------------------------------|---------------------|
| FACP | FACP | Fire Alarm Control Panel | EST3x |
| F | P | Addressable Manual Pull Station | SIGA-278 |
| ? | ? | Addressable Smoke Detector w/Base | SIGA2-PS w/ SIGA-SB |
| ? _{SD} | ? | Addressable Duct Smoke Detector w/ Remote Test Switch | SIGA-SD/ SD-TRK |
| CT* | AM | Addressable Input Module (x Denotes 1 or 2 Inputs) | SIGA-CT1, -CT2 |
| CR | ADN | Addressable Control Relay | SIGA-CR |
| WF | WF | Waterflow Switch | FBO |
| TS | VS | Tamper Switch (Valve Supervisory) | FBO |
| ☒ | ☒ | Strobe Unit (# indicates Candela setting) | G1RF-VM |
| ☒ | ☒ | Speaker Strobe Unit (# indicates Candela setting) | G4HFRF-S7VMC |
| ☒ | ☒ | Speaker Unit Ceiling Mount (# indicates Candela setting) | GCHFRF-S7VMC |

* NFPA 170 (2009) Tables: 6.5, 6.7.1, 6.7.2, & 6.7.3

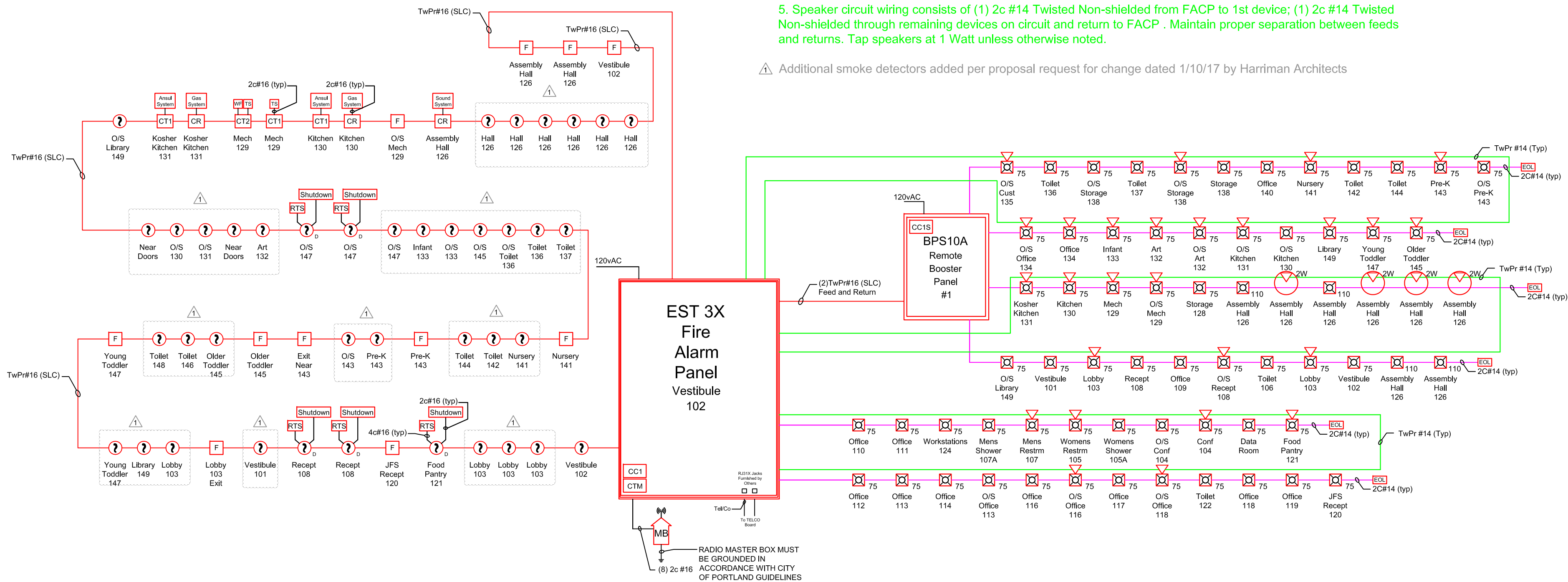
GENERAL NOTES:

1. ALL WIRING IN ACCORDANCE WITH NATIONAL ELECTRICAL CODE, THE STATE OF MAINE, AUTHORITY HAVING JURISDICTION, CITY OF PORTLAND, AND MANUFACTURER'S REQUIREMENTS AND RECOMMENDATIONS.

WIRING NOTES:

1. ALL ADDRESSABLE DEVICES MUST BE INSTALLED IN A HEATED LOCATION.
2. ADDRESSABLE CONTROL RELAYS (CR or MCR) SHALL SWITCH ONLY 12/24V (AC/DC) @ 2.0 Amps OR LESS. SWITCHED CIRCUITS REQUIRING HIGHER VOLTAGE SHALL USE AN INTERMEDIATE LISTED FOR THE PURPOSE.
3. Addressable loop consists of (1) 2c #16 Twisted Non-shielded from FACP to 1st device; (1) 2c #16 Twisted Non-shielded through remaining devices on circuit and return to FACP. Maintain proper separation between feeds and returns.
4. Strobe circuits consist of 2c #14 from FACP/BPS to 1st device; 2c #14 through remaining devices on circuit to end at end of line resistor.
5. Speaker circuit wiring consists of (1) 2c #14 Twisted Non-shielded from FACP to 1st device; (1) 2c #14 Twisted Non-shielded through remaining devices on circuit and return to FACP. Maintain proper separation between feeds and returns. Tap speakers at 1 Watt unless otherwise noted.

⚠ Additional smoke detectors added per proposal request for change dated 1/10/17 by Harriman Architects



RADIO MASTER BOX MUST BE GROUNDING IN ACCORDANCE WITH CITY OF PORTLAND GUIDELINES

| SCALE: | NTS | TRD | TRD | TRD | DATE | DRWN: | IR/W/D: |
|--------|---------------------------------------------------|---------|-----|-----|------|-------|---------|
| 2 | Address Correction | 2/22/17 | KMB | TRD | | | |
| 1 | Revision based upon added detection dated 1/10/17 | 1/30/17 | KMB | TRD | | | |
| 0 | Original Issue | 7/16 | KMB | TRD | | | |
| REV. | DESCRIPTION | | | | | | |