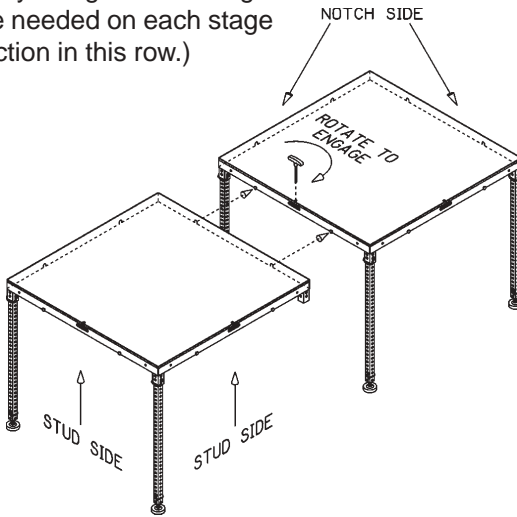


One Stop Event Rentals
262 Main Street
South Portland ME 04106

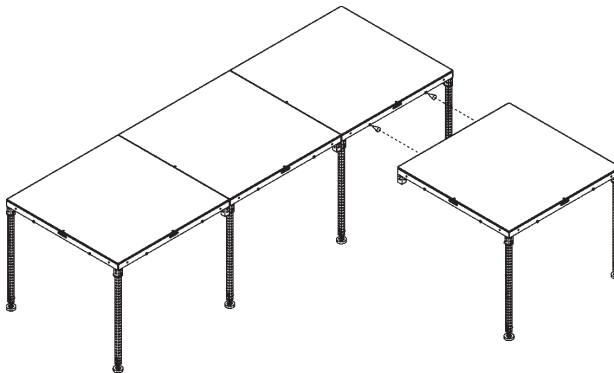
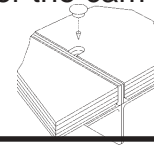


Ph: 207-767-5966
F: 207-767-5310

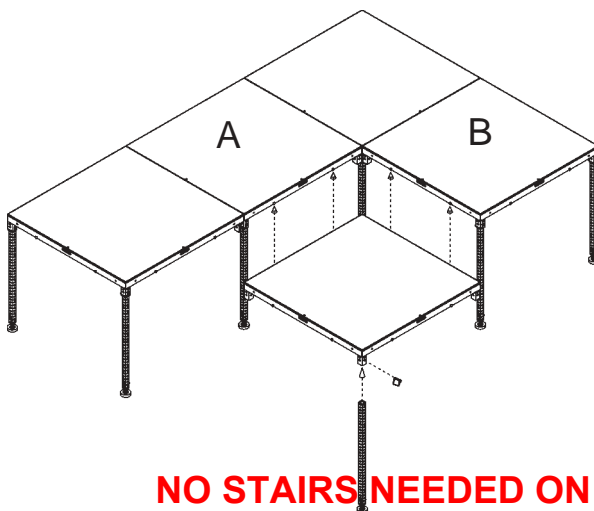
(Only two galvanized legs are needed on each stage section in this row.)



- A. Set back row of stage sections first.
- B. Insert the two legs into stage sections as shown and attach it to previous section by means of the slot and pin connections.
- C. Insert 5/16" T-handle hex wrench through the top of the deck and lock stages together by rotating the cam lock clockwise.
- D. Insert a plastic plug into the stage deck to cover the cam lock hole as shown .



The first stage section in additional rows is attached in the same manner as the stage sections in the first row, using two legs in the sockets as shown. Each additional stage section must be pinned through the sockets to the adjoining stage sections.



- A. Insert one leg in corner socket as shown and set stage section down over connecting pins.
- B. Pin two outer corner sockets to adjoining sections.
- C. Additional stage sections in each row are assembled the same way until the stage size needed is completed.
- D. At internal corner connections, a third 4-1/2" pin should be added to pin the four sockets together. All internal corner joints will be pinned in three directions.

NO STAIRS NEEDED ON STAGES WITH A 1-FOOT RISE.