



HARRIMAN

AUBURN PORTLAND MANCHESTER

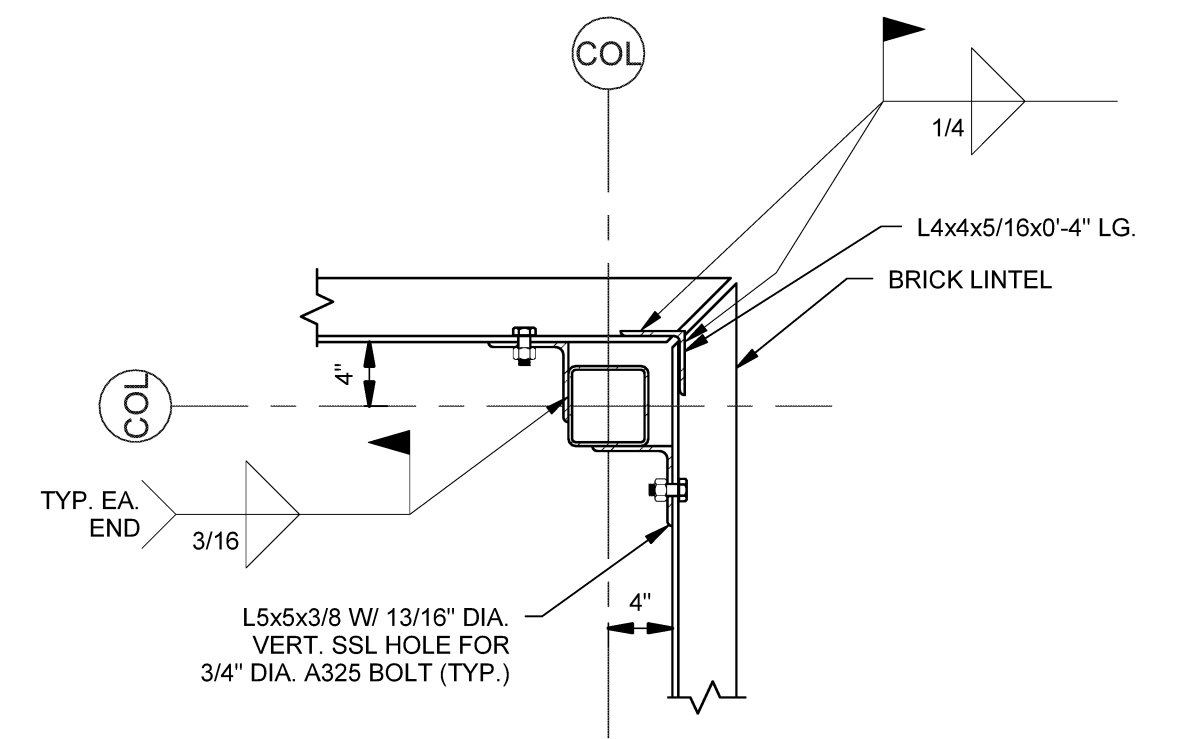
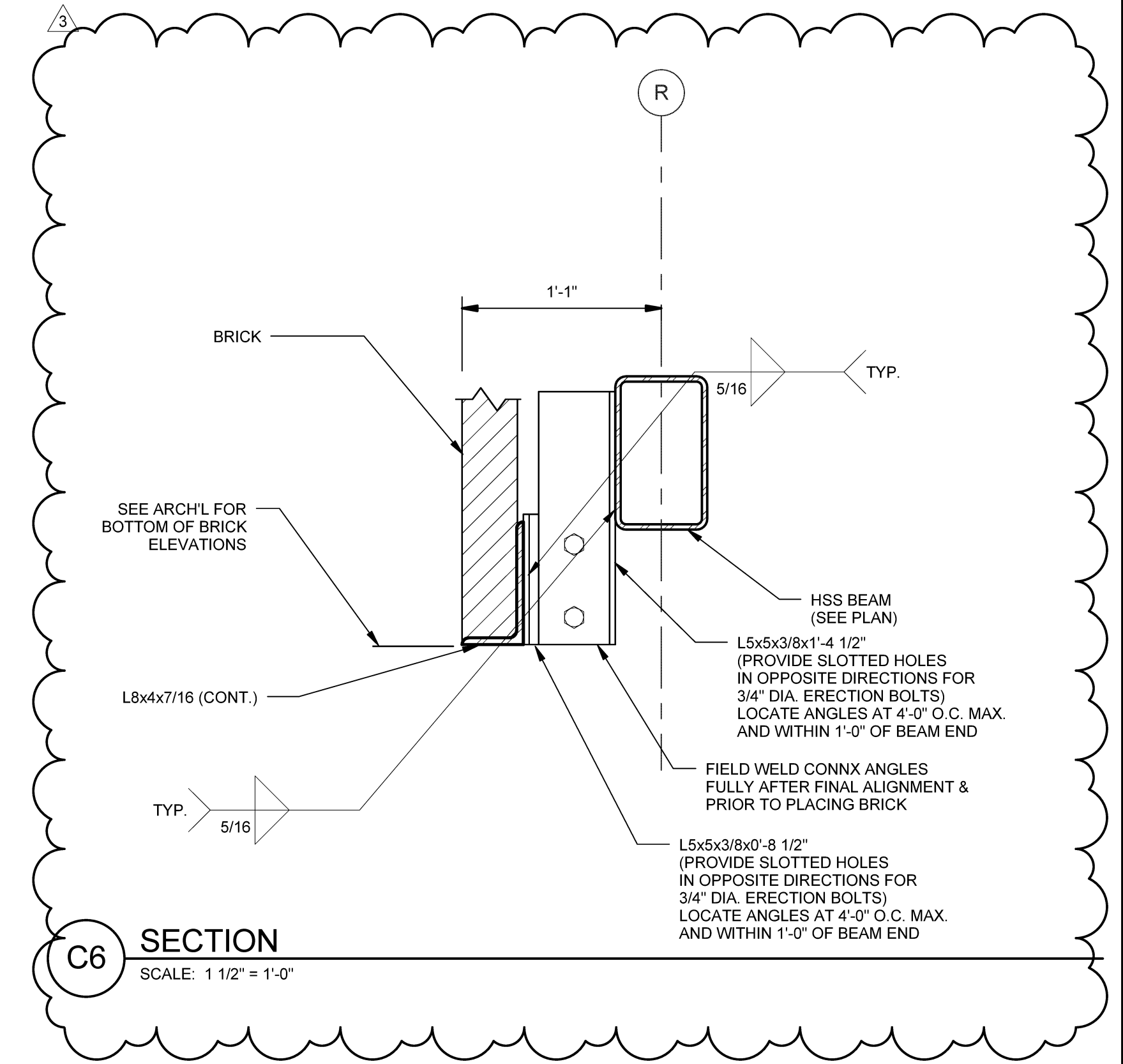
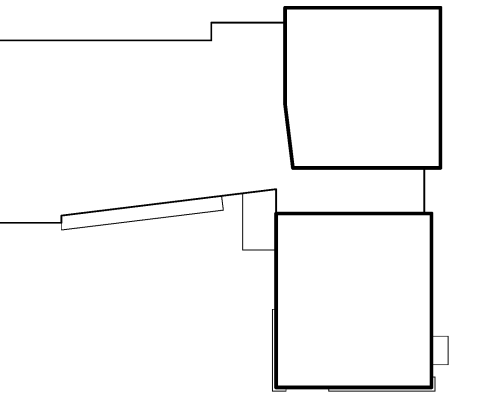
JEWISH COMMUNITY ALLIANCE OF SOUTHERN MAINE

PORTLAND, ME

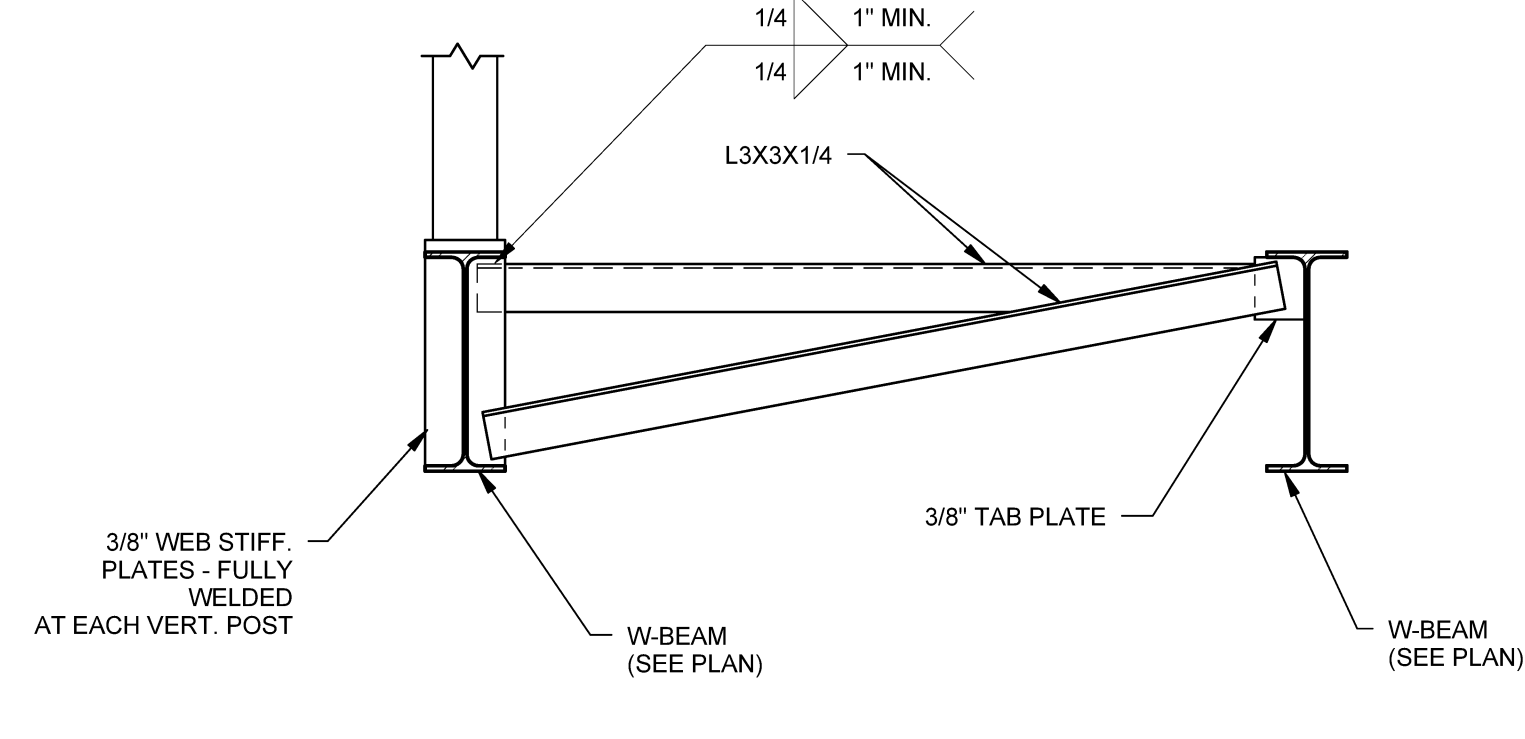
Harriman Project No. 15309

Key Plan

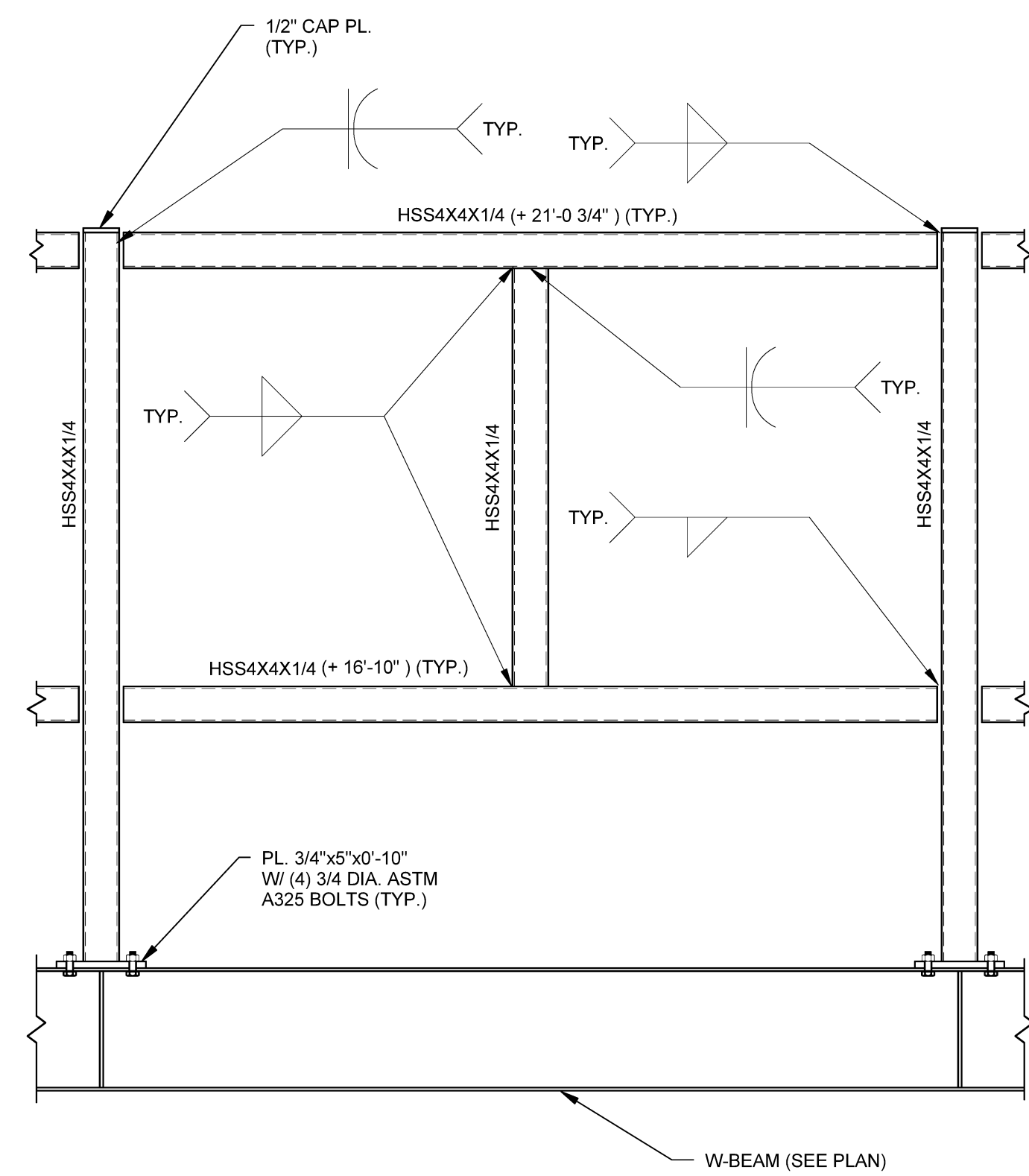
Proj North



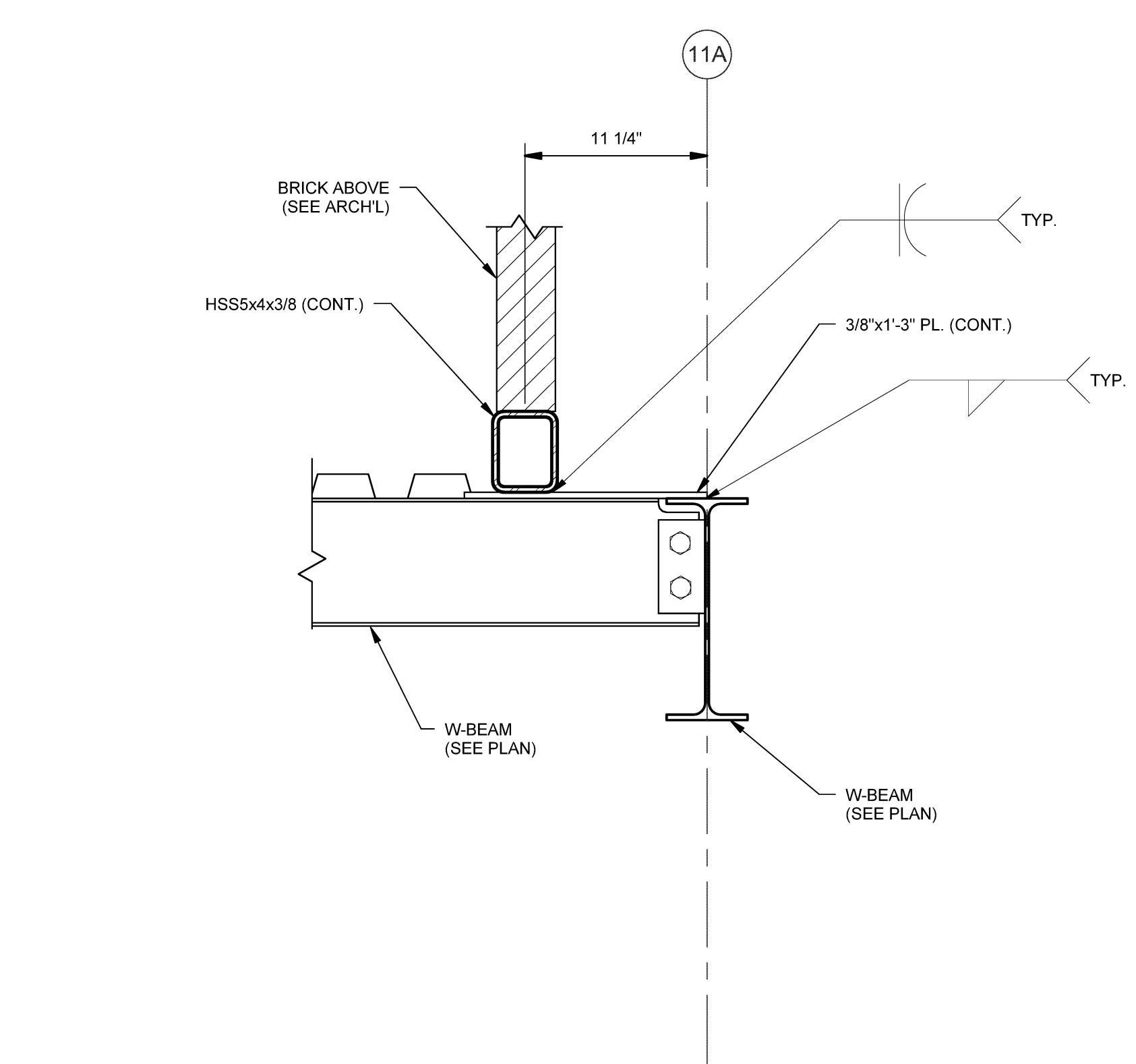
B1 Lintel @ CURTAIN WALL CORNER DETAIL SCALE: 1" = 1'-0"



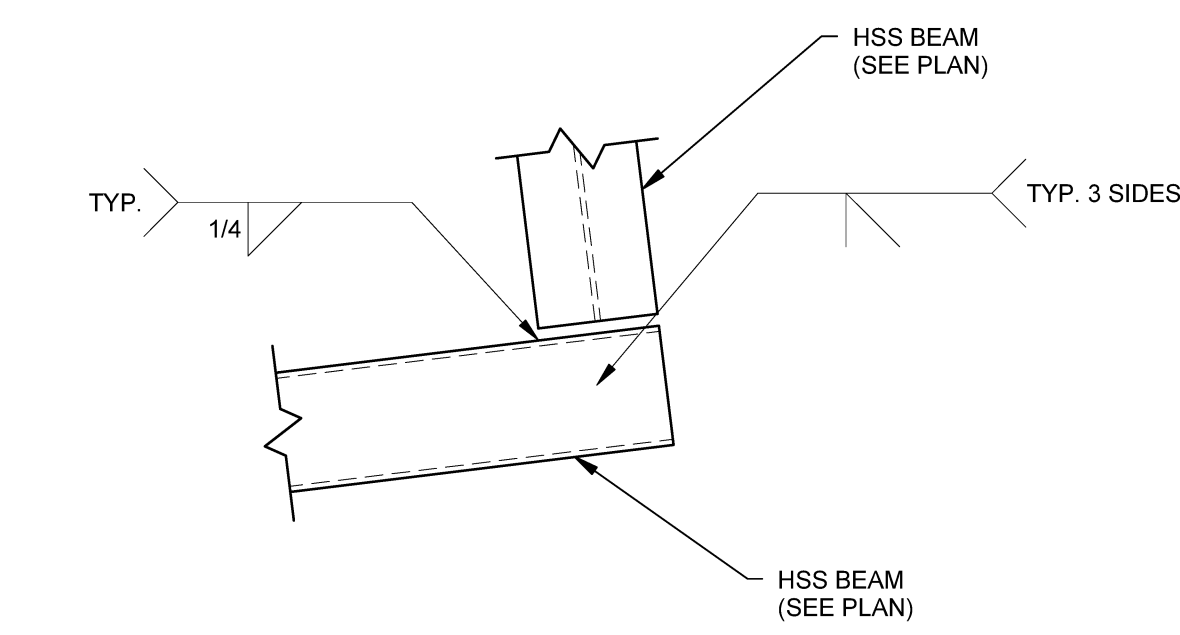
B2 SECTION SCALE: 1" = 1'-0"



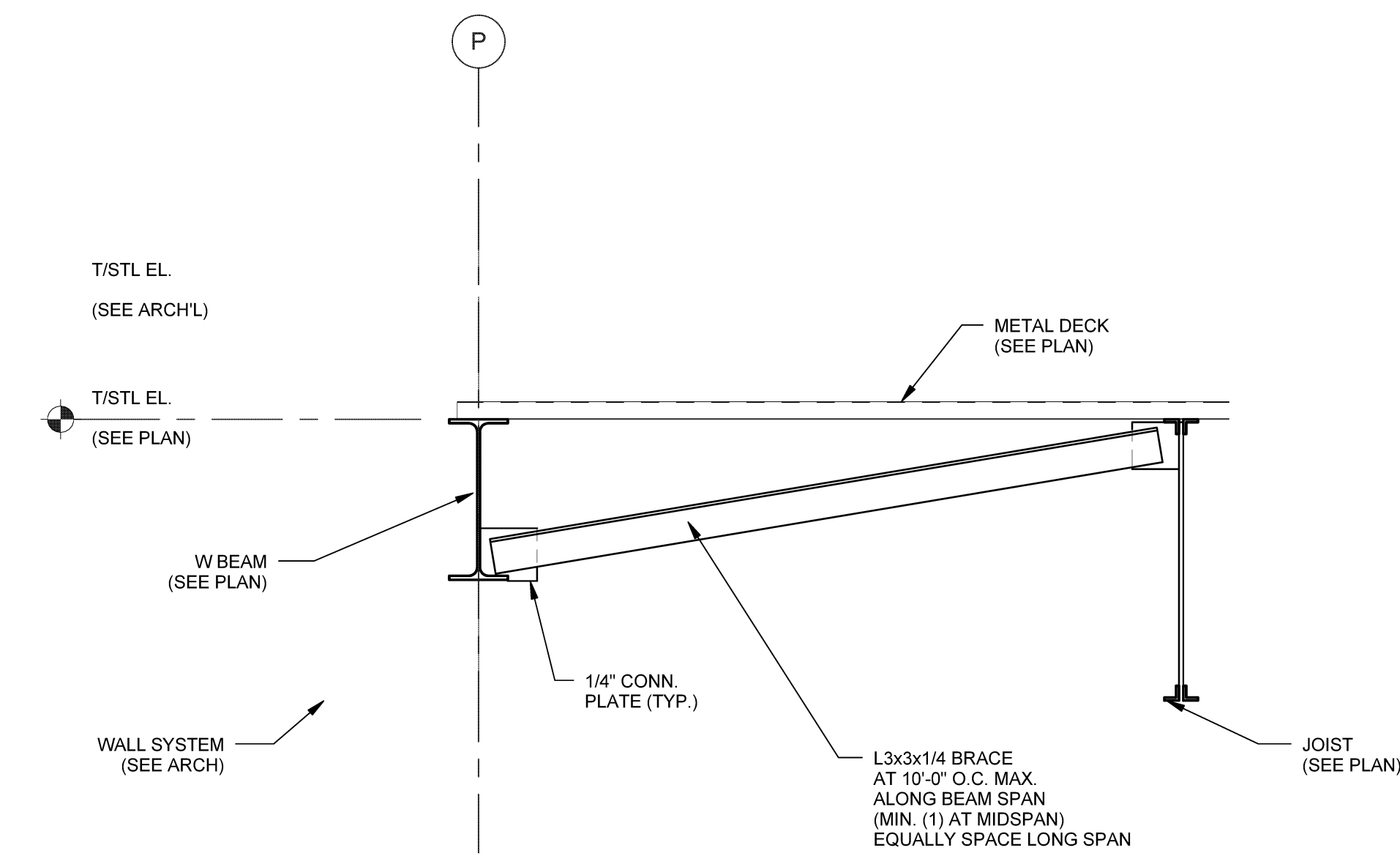
B4 SECTION SCALE: 3/4" = 1'-0"



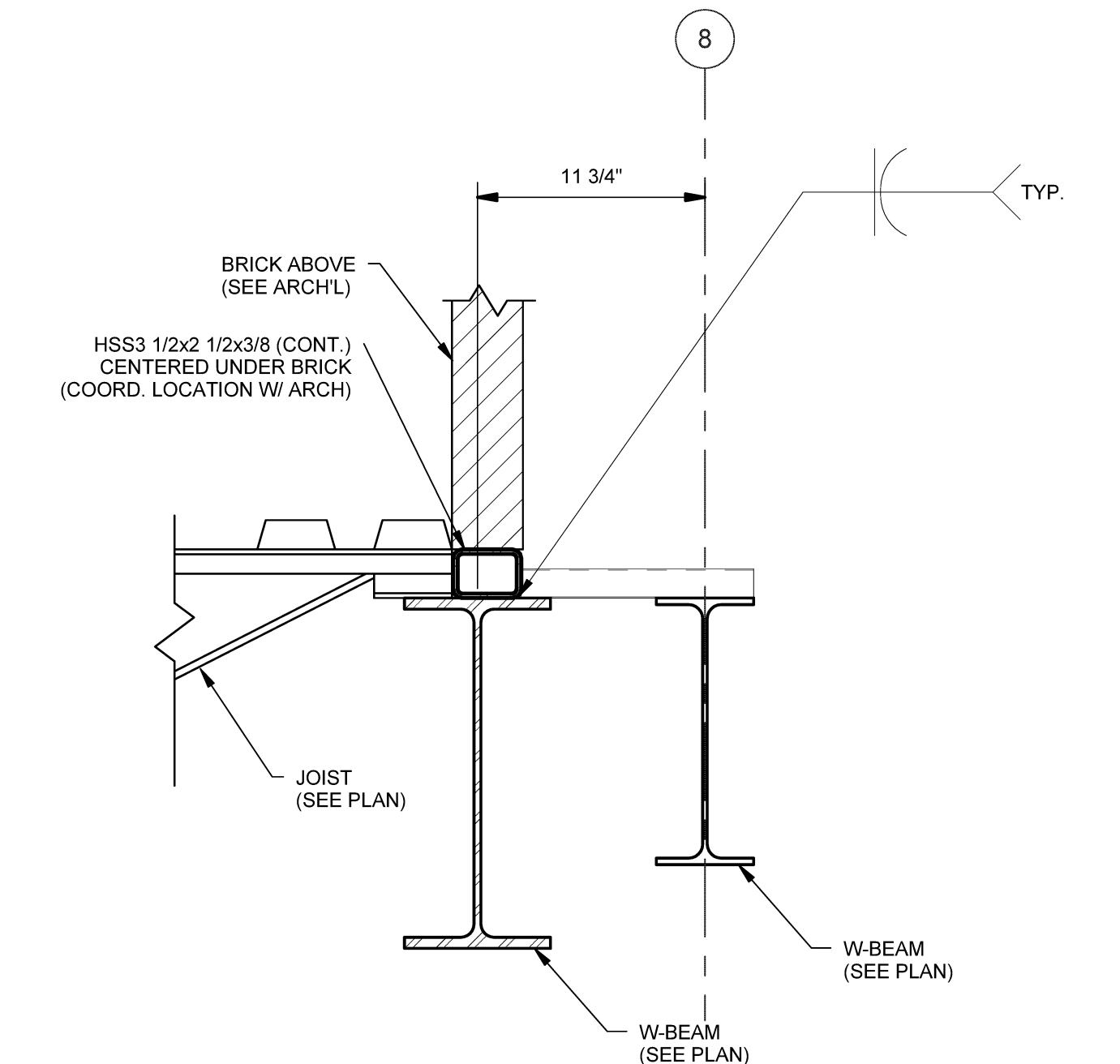
B6 Detail 14 SCALE: 1 1/2" = 1'-0"



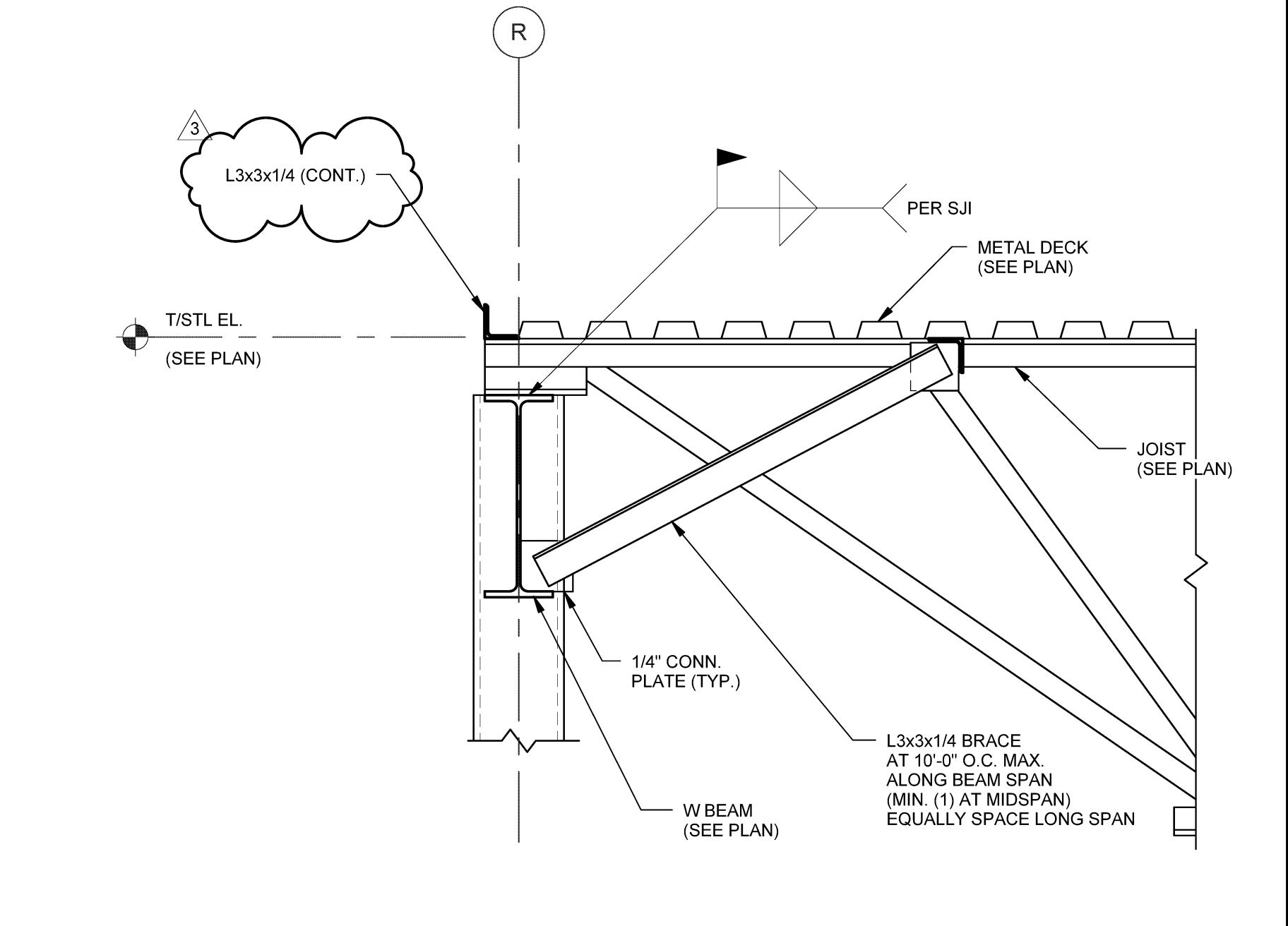
A1 TYP. MITERED CONNECTION DETAIL SCALE: 1 1/2" = 1'-0"



A2 SECTION SCALE: 1" = 1'-0"

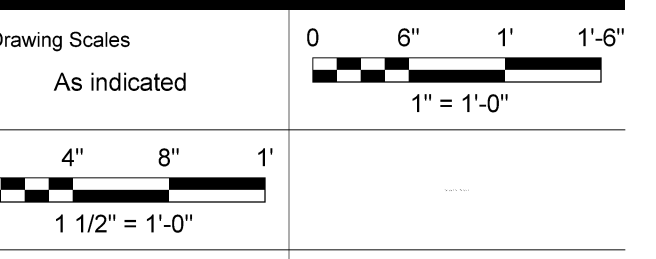
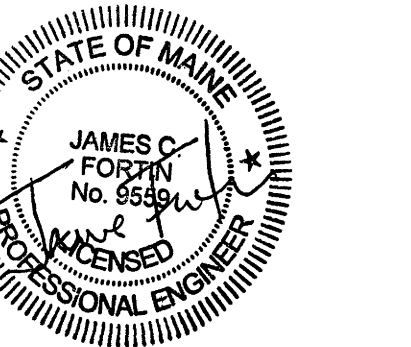


A4 SECTION SCALE: 1 1/2" = 1'-0"



A6 SECTION SCALE: 1" = 1'-0"

Mark	Date	Description
-	03-25-16	CONSTRUCTION DOCUMENTS
1	04-15-16	ADDENDUM #1
2	04-21-16	ADDENDUM #2
3	07-22-16	CONFORMANCE SET



PA/PE: JCF © 2016 Harriman Associates
Drawn By: ZPP

FRAMING DETAILS

S60.2

Plot Date: 7/22/2016 4:26:07 PM