



HARRIMAN

AUBURN PORTLAND MANCHESTER

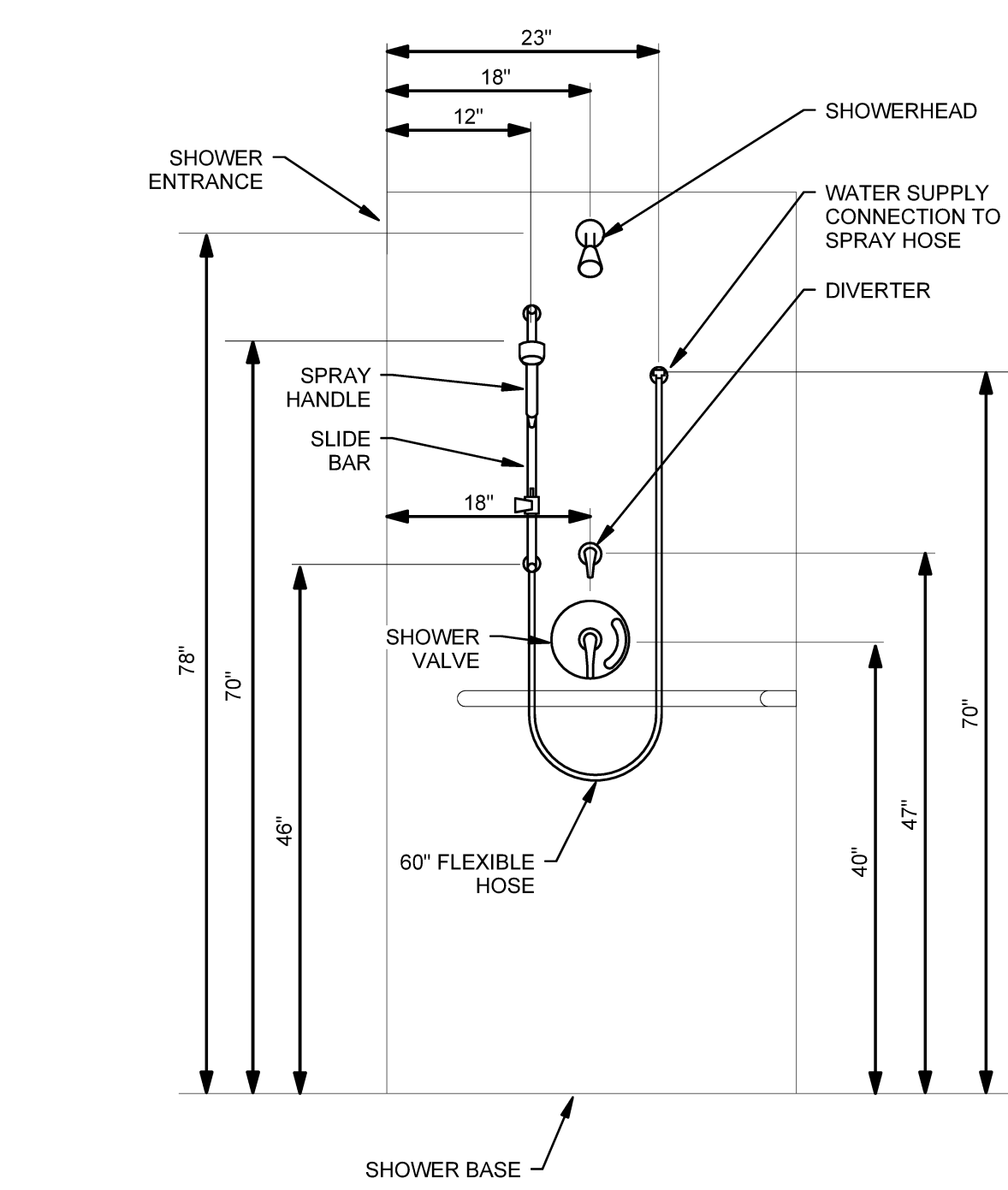
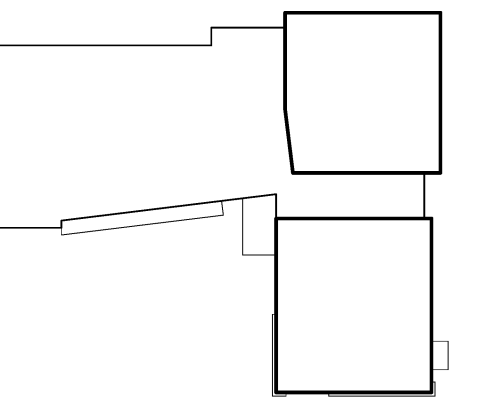
JEWISH COMMUNITY ALLIANCE OF SOUTHERN MAINE

PORTLAND, ME

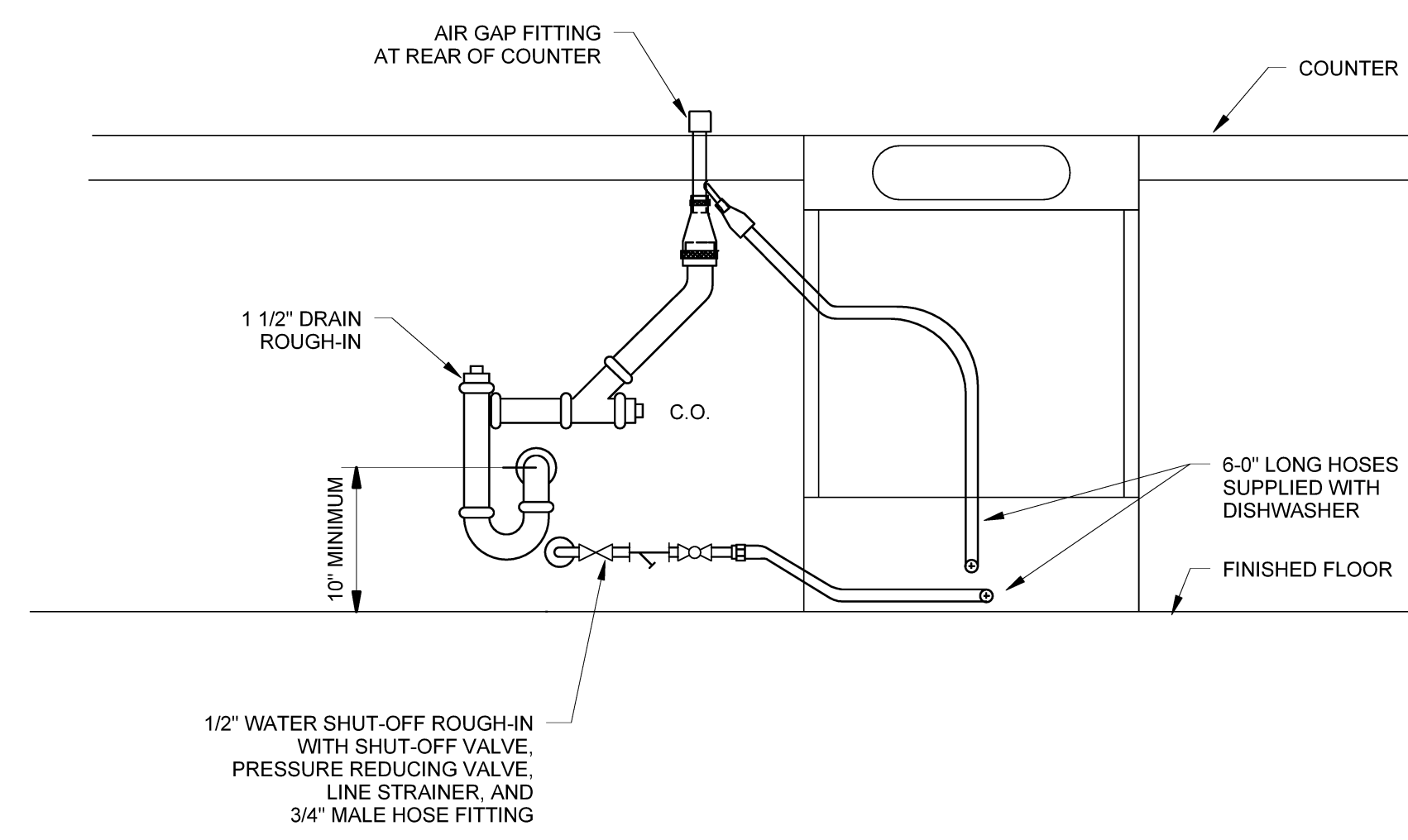
Harriman Project No. 15309

Key Plan

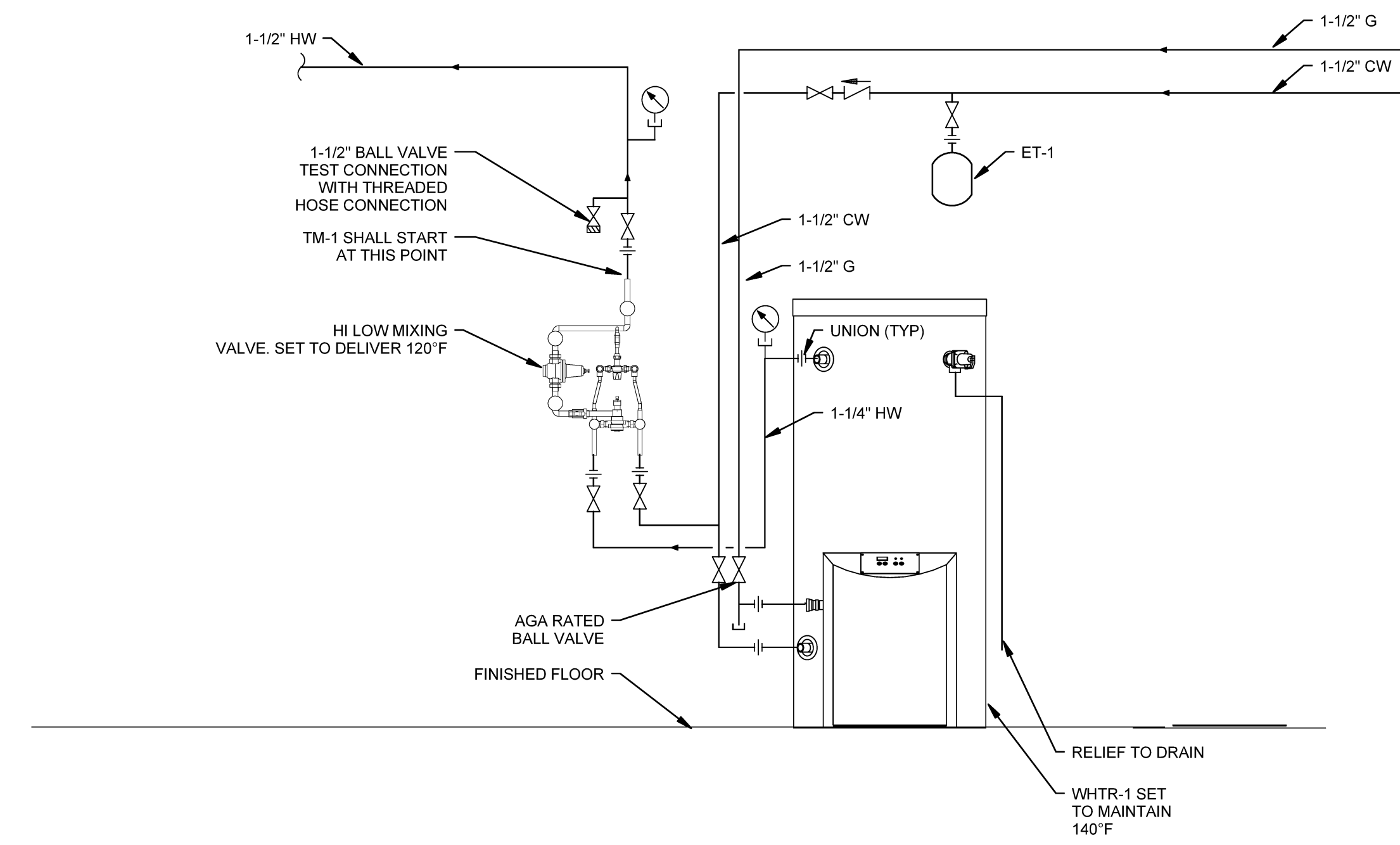
Proj North



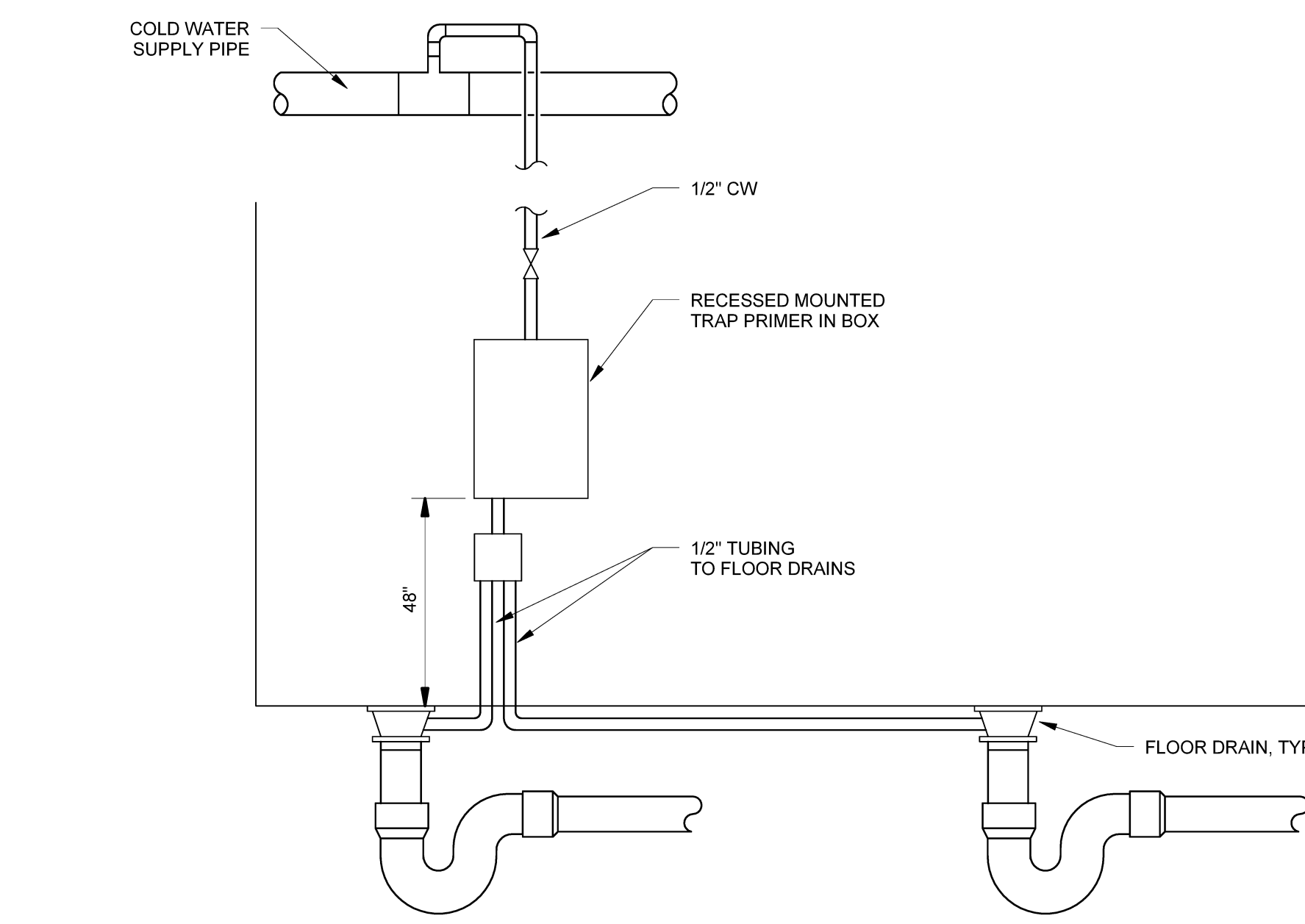
1 ADA SHOWER NO SCALE



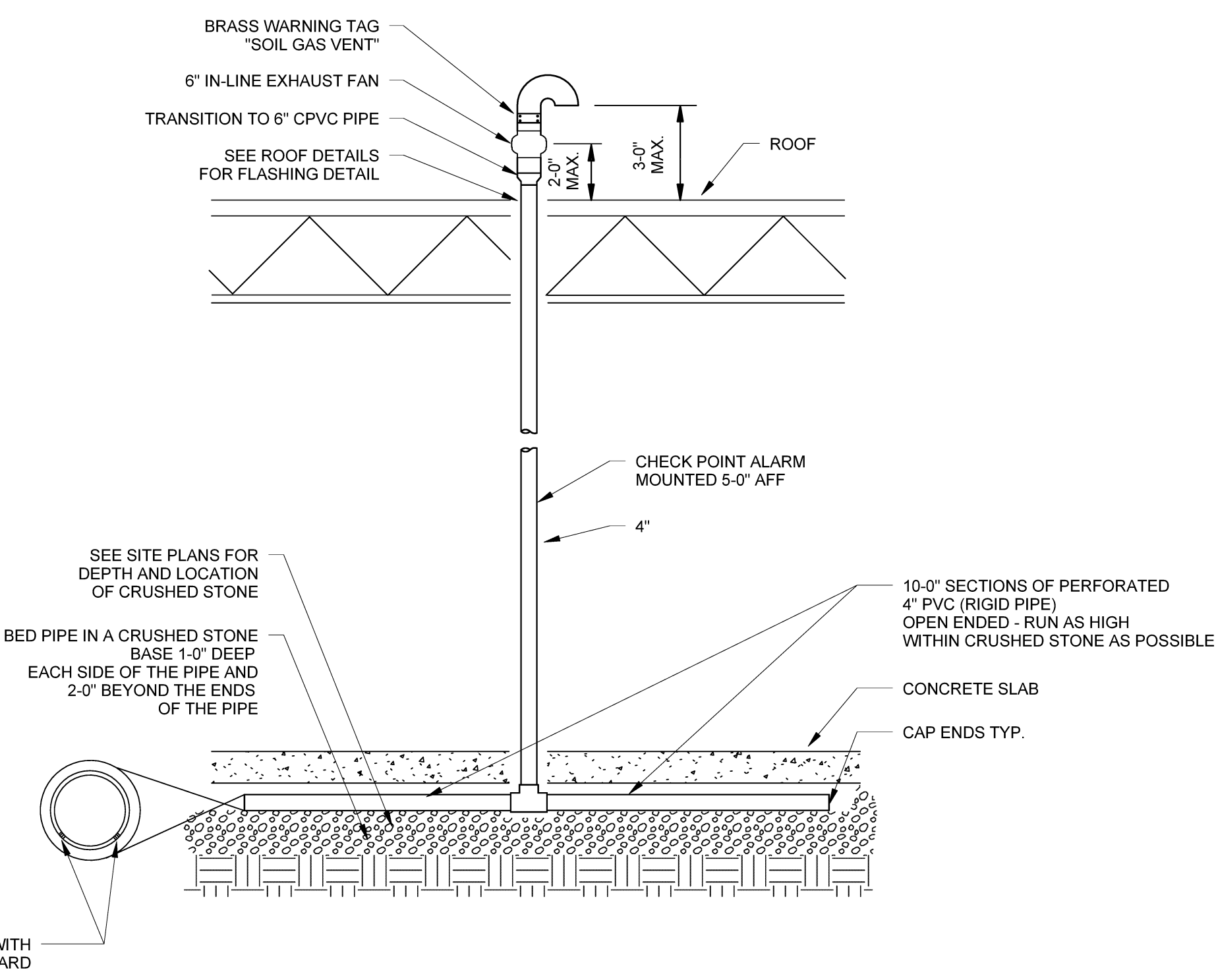
2 DISHWASHER AIRGAP FITTING - BESIDE DISHWASHER NO SCALE



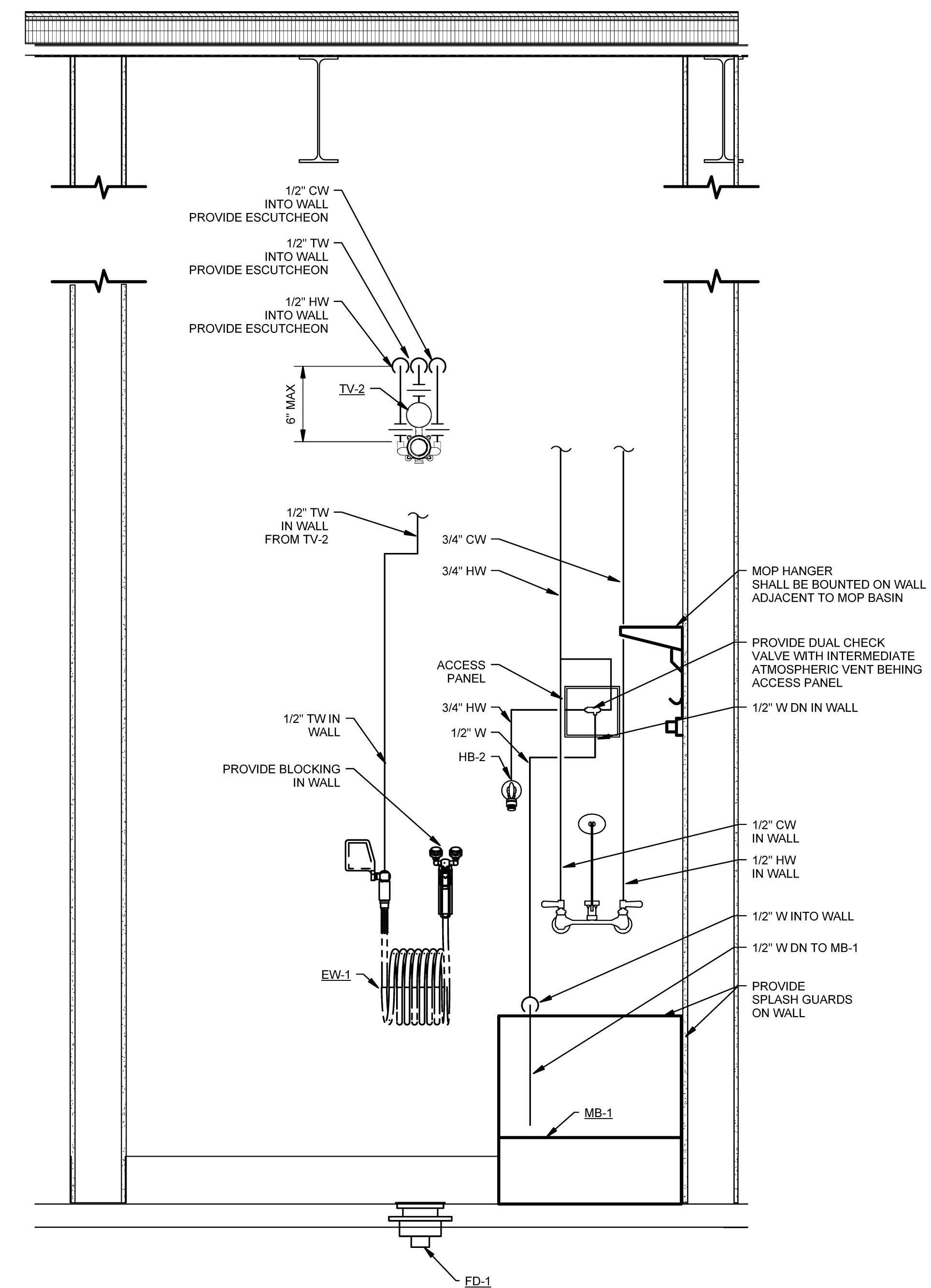
3 WATER HEATER PIPING DETAIL SCALE: 1/8" = 1'-0"



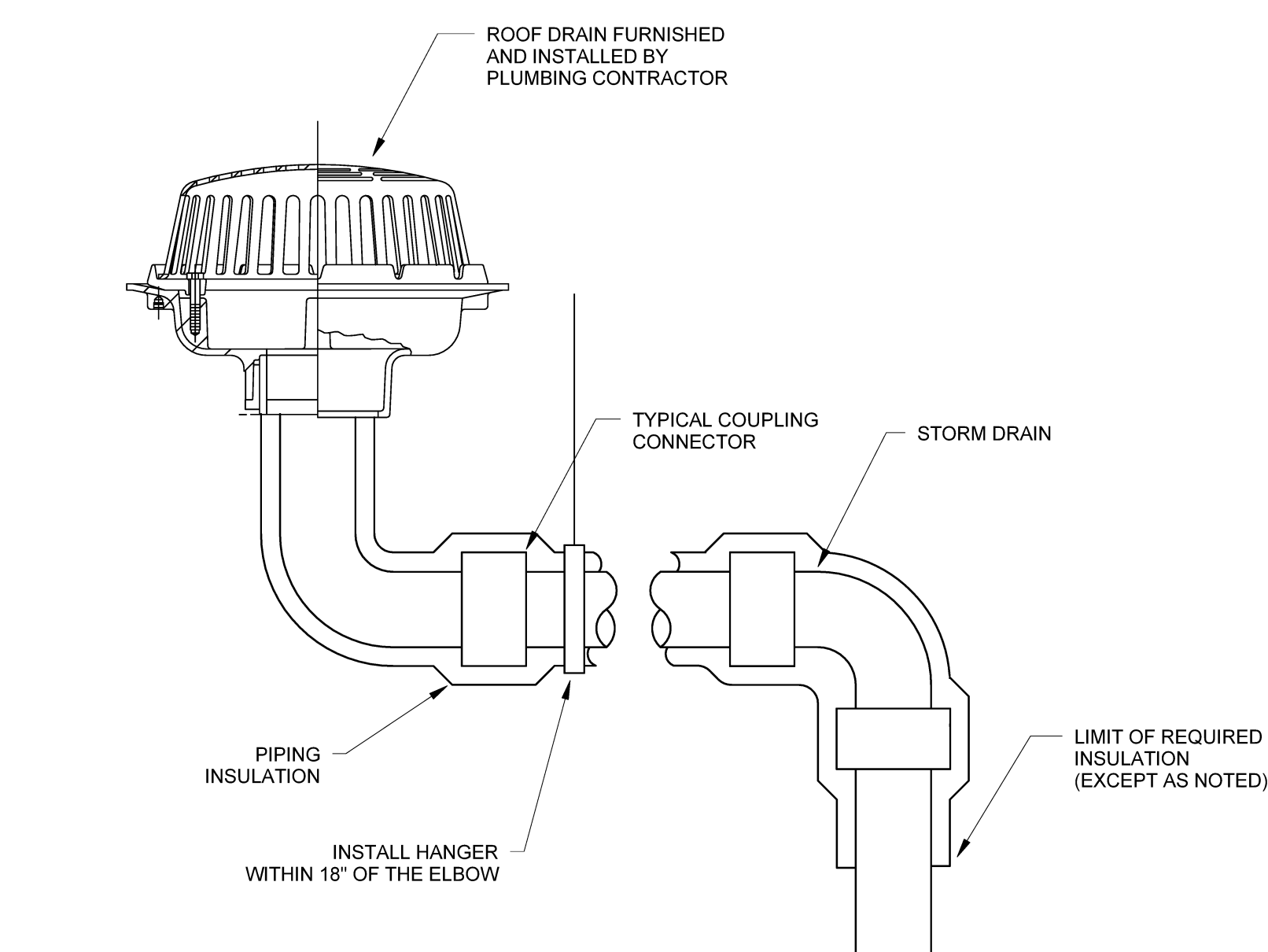
4 TRAP PRIMER-ELECTRONIC1 NO SCALE



5 SOIL GAS VENT NO SCALE

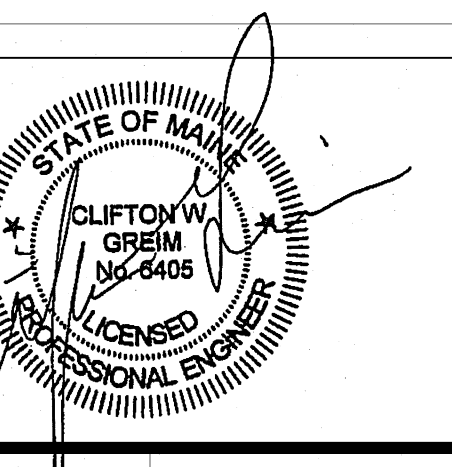


6 CUSTODIAL 135 EYEWASH/DRENCH STATION DETAIL NO SCALE



7 ROOF DRAIN NO SCALE

Mark	Date	Description
	03-25-16	CONSTRUCTION DOCUMENTS
	07-22-16	CONFORMANCE SET



Drawing Scales As indicated

PA/PE: CG © 2016 Harriman Associates
Drawn By: MAM

DETAILS

P40.1