



HARRIMAN

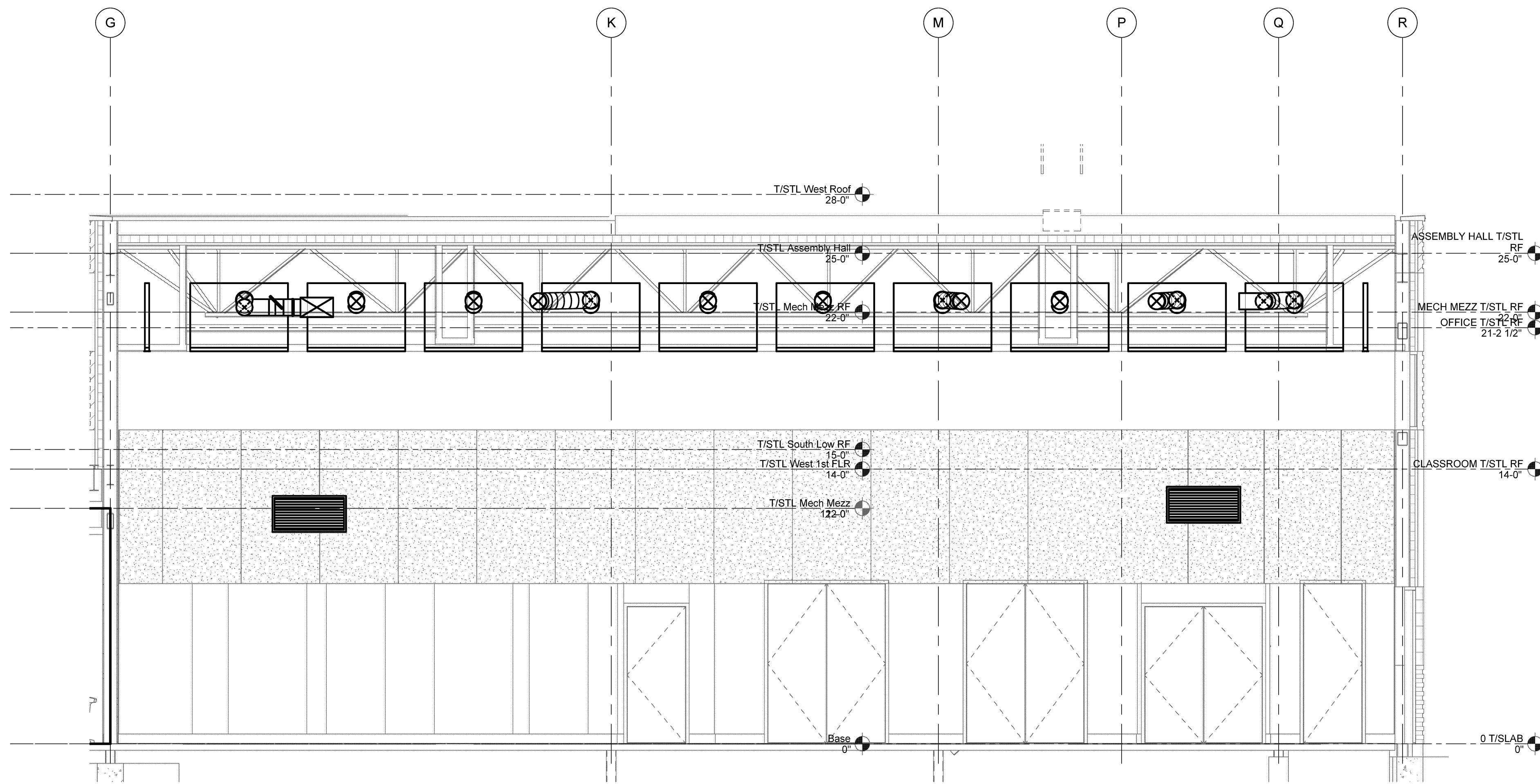
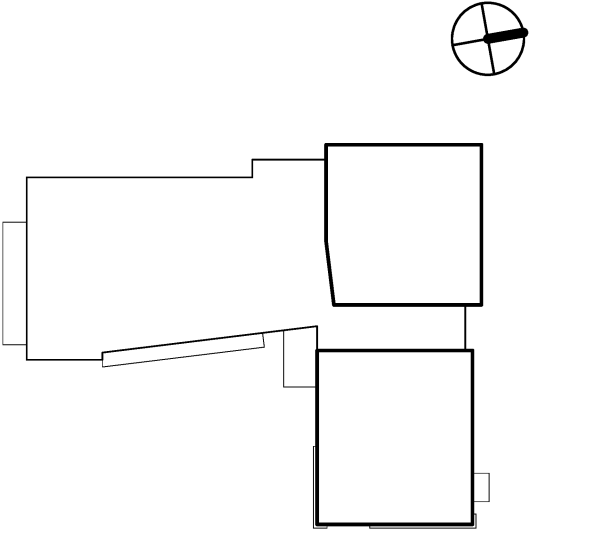
AUBURN PORTLAND MANCHESTER

JEWISH COMMUNITY ALLIANCE OF SOUTHERN MAINE

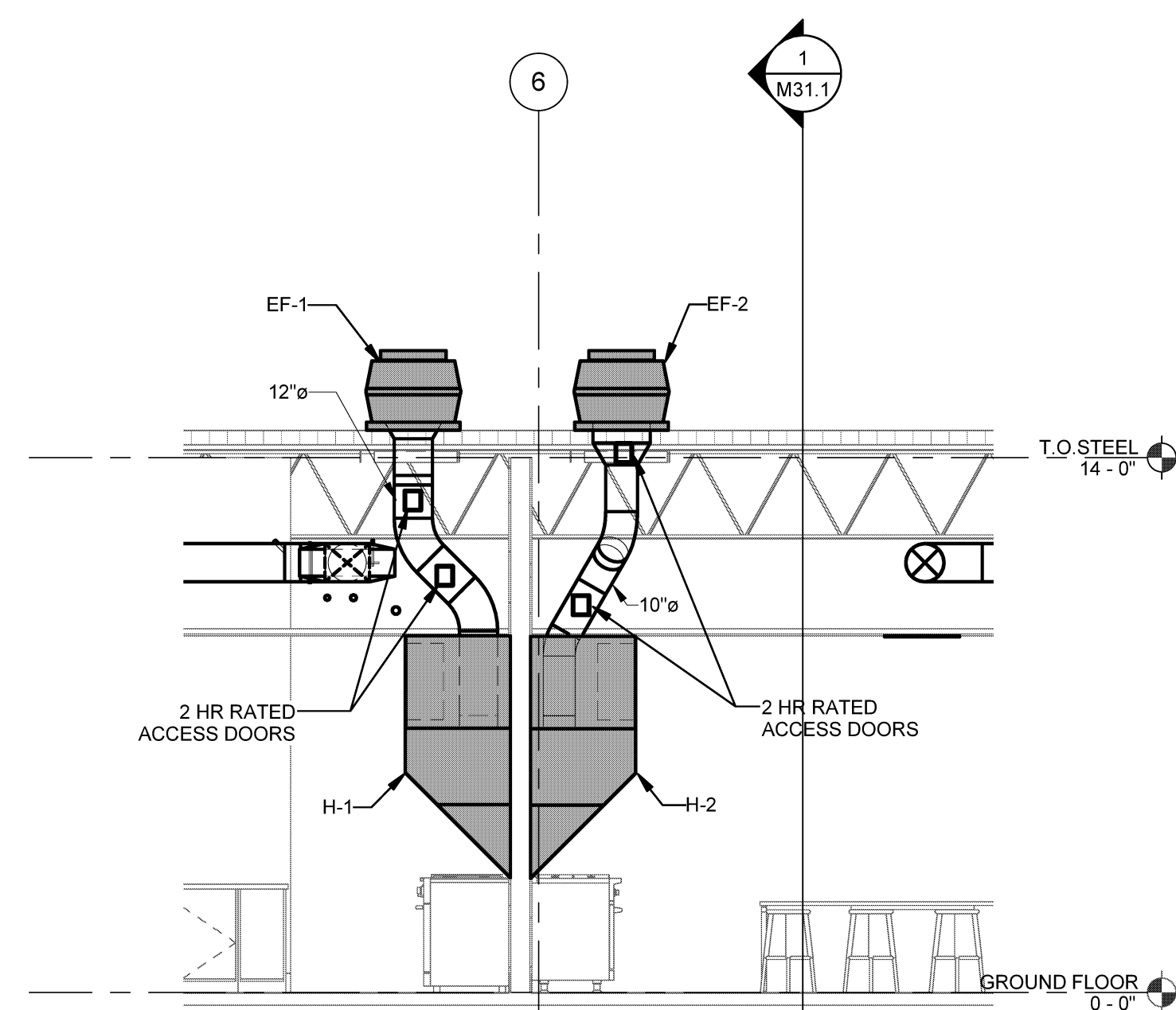
PORTLAND, ME

Harriman Project No. 15309

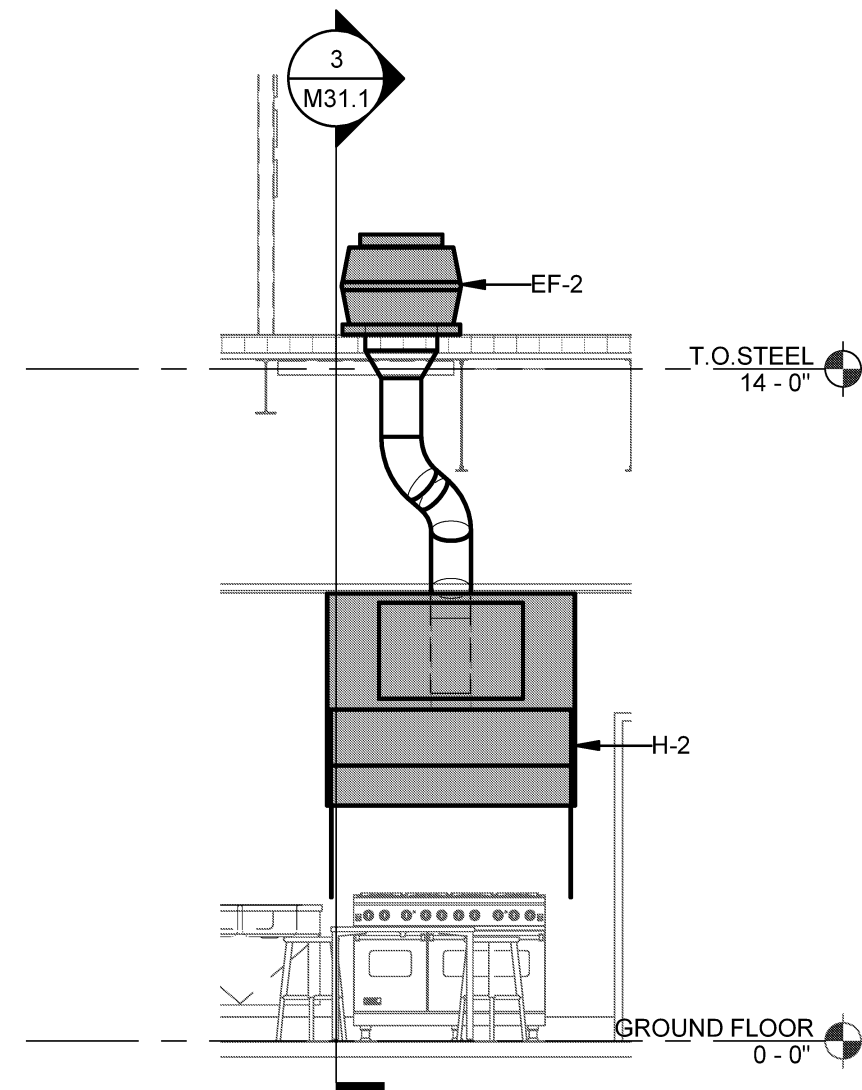
Key Plan Proj North



2 SECTION 2  
NO SCALE

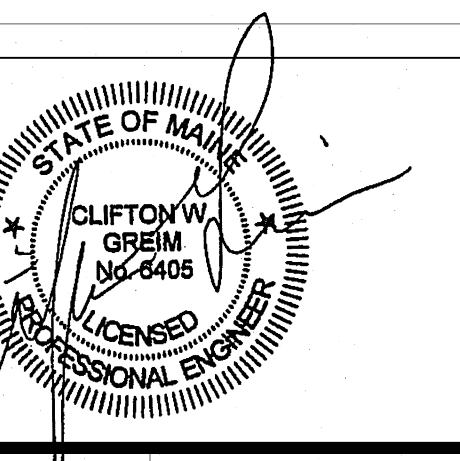


3 SECTION 3  
NO SCALE



1 SECTION 4  
NO SCALE

Issues and Revisions		
Mark	Date	Description
03-25-16		CONSTRUCTION DOCUMENTS
3	07-22-16	CONFORMANCE SET



Drawing Scales  
1/4" = 1'-0"

PA/PE: CG © 2016 Harriman Associates  
Drawn By: MDHS

SECTIONS

M31.1