



HARRIMAN

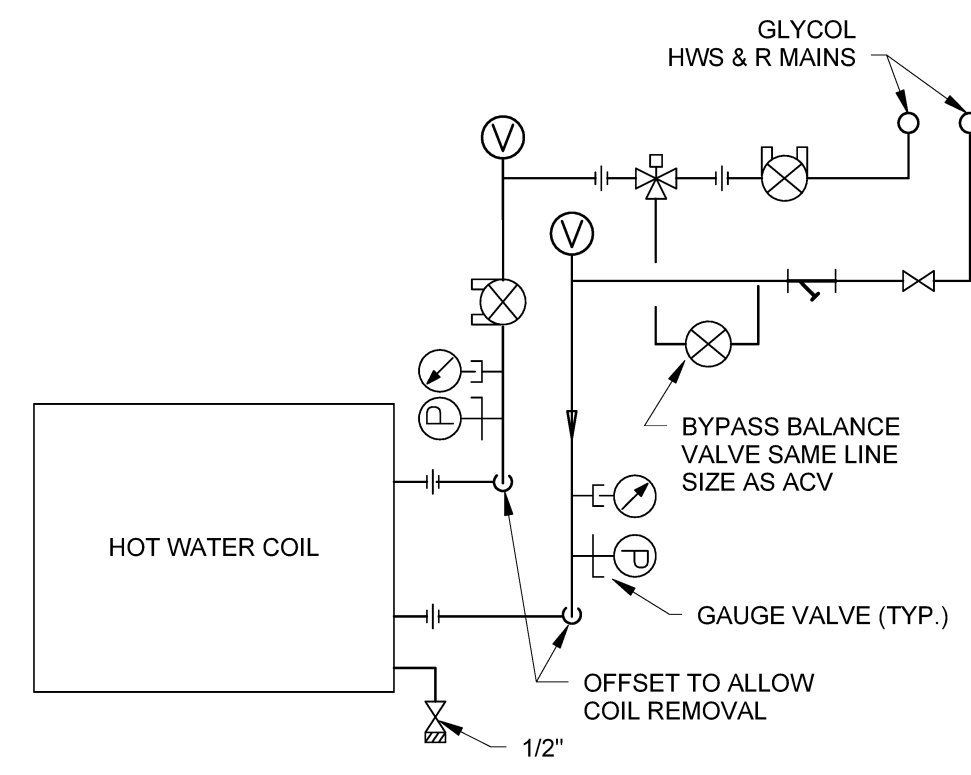
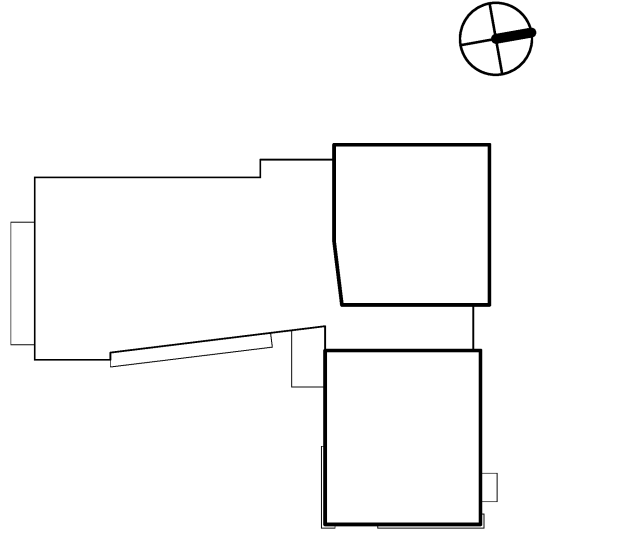
AUBURN PORTLAND MANCHESTER

JEWISH COMMUNITY ALLIANCE OF SOUTHERN MAINE

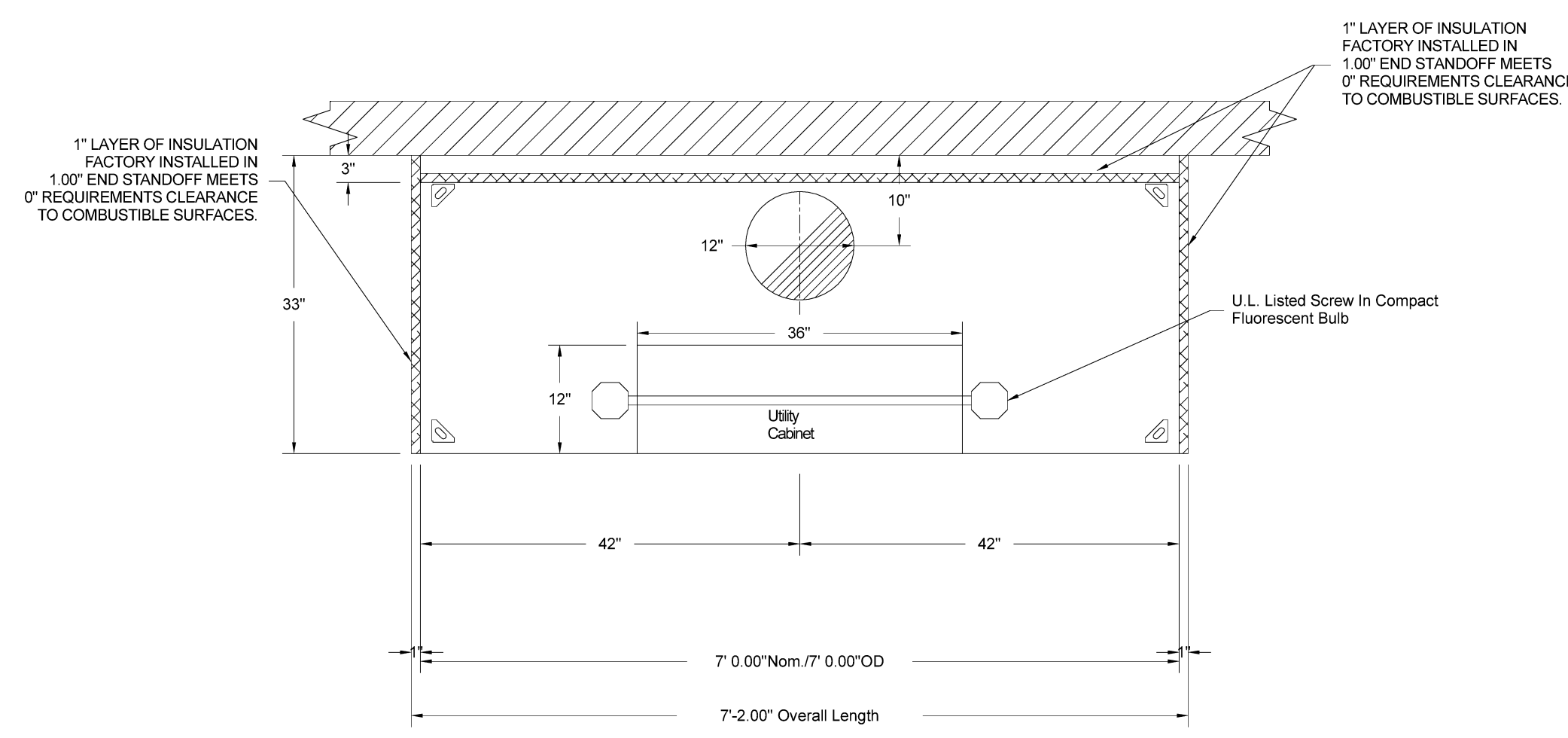
PORTLAND, ME

Harriman Project No. 15309

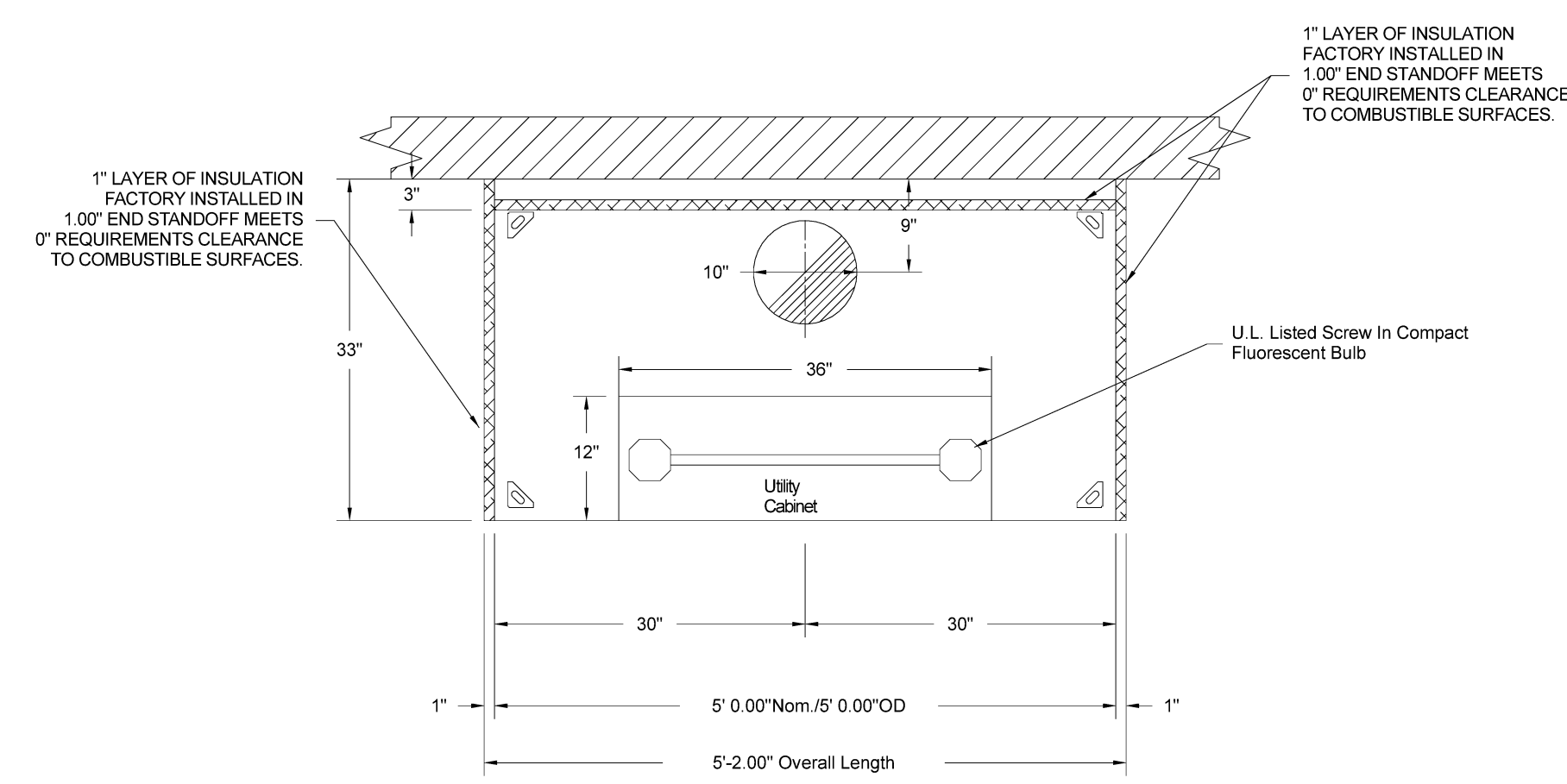
Key Plan Proj North



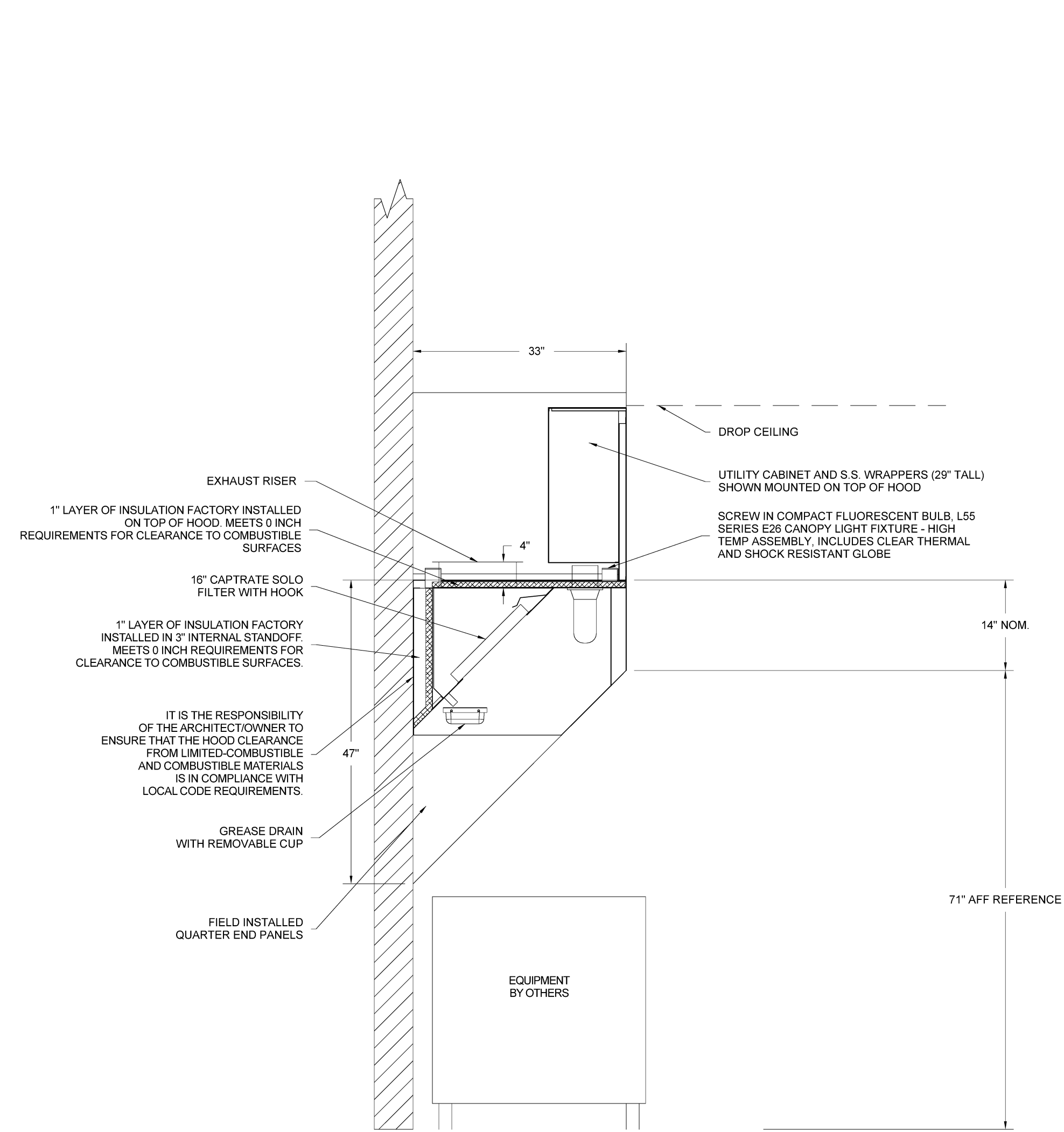
2 HRU-1 COIL PIPING-3 WAY
NO SCALE



PLAN VIEW --(H-1)

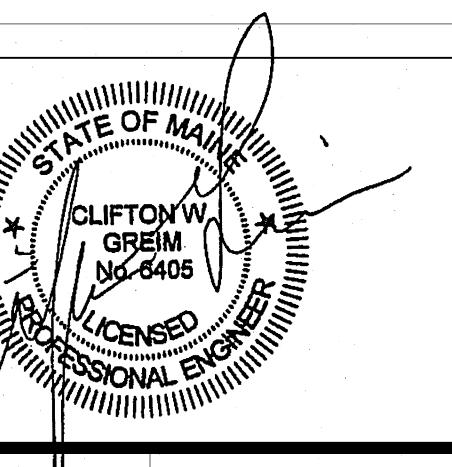


PLAN VIEW --(H-2)



SECTION VIEW

Mark	Date	Description
	03-25-16	CONSTRUCTION DOCUMENTS
2	04-27-16	ADDENDUM #3
3	07-22-16	CONFORMANCE SET



Drawing Scales	
NO SCALE	--
--	--
--	--
PA / PE: CG	© 2016 Harriman Associates
Drawn By: MDHS	

DETAILS

M30.4