



HARRIMAN

AUBURN PORTLAND MANCHESTER

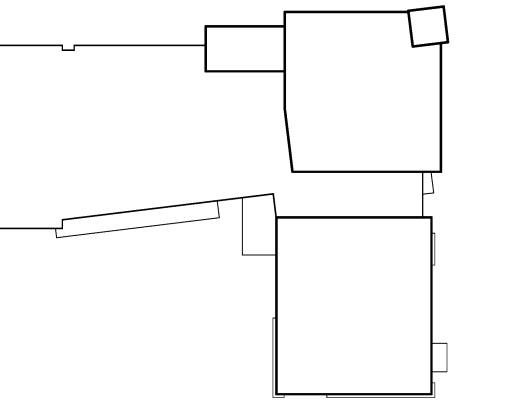
JEWISH COMMUNITY ALLIANCE OF SOUTHERN MAINE

PORTLAND, ME

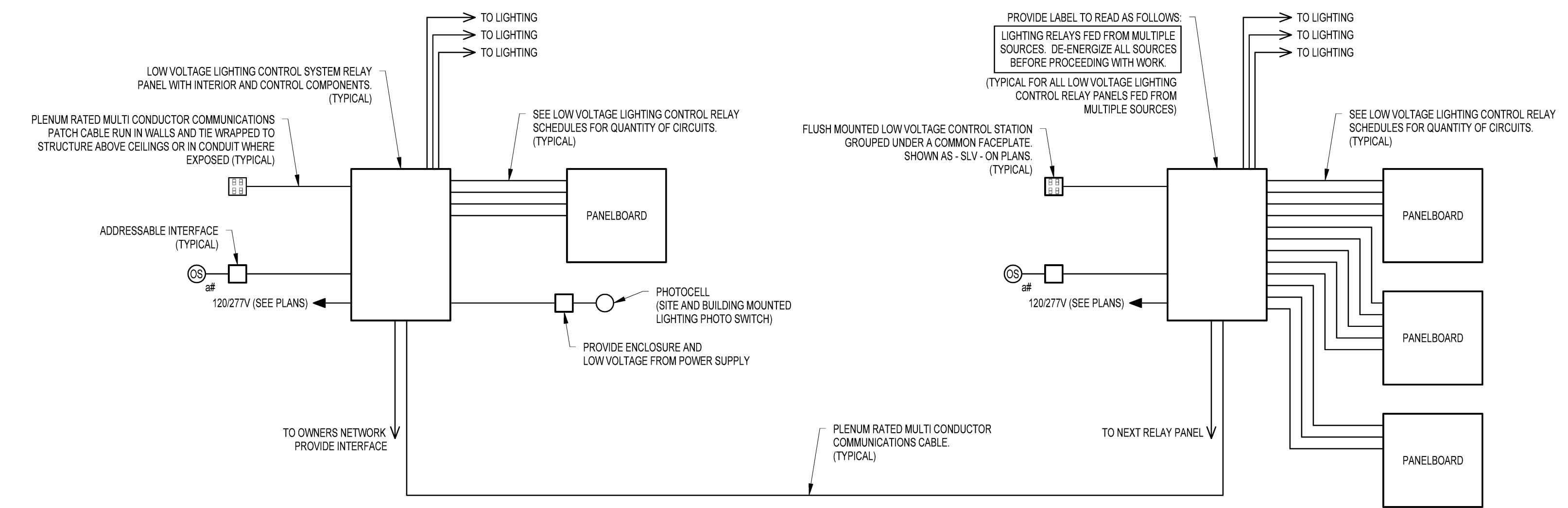
Harriman Project No. 15309

Key Plan

Proj North



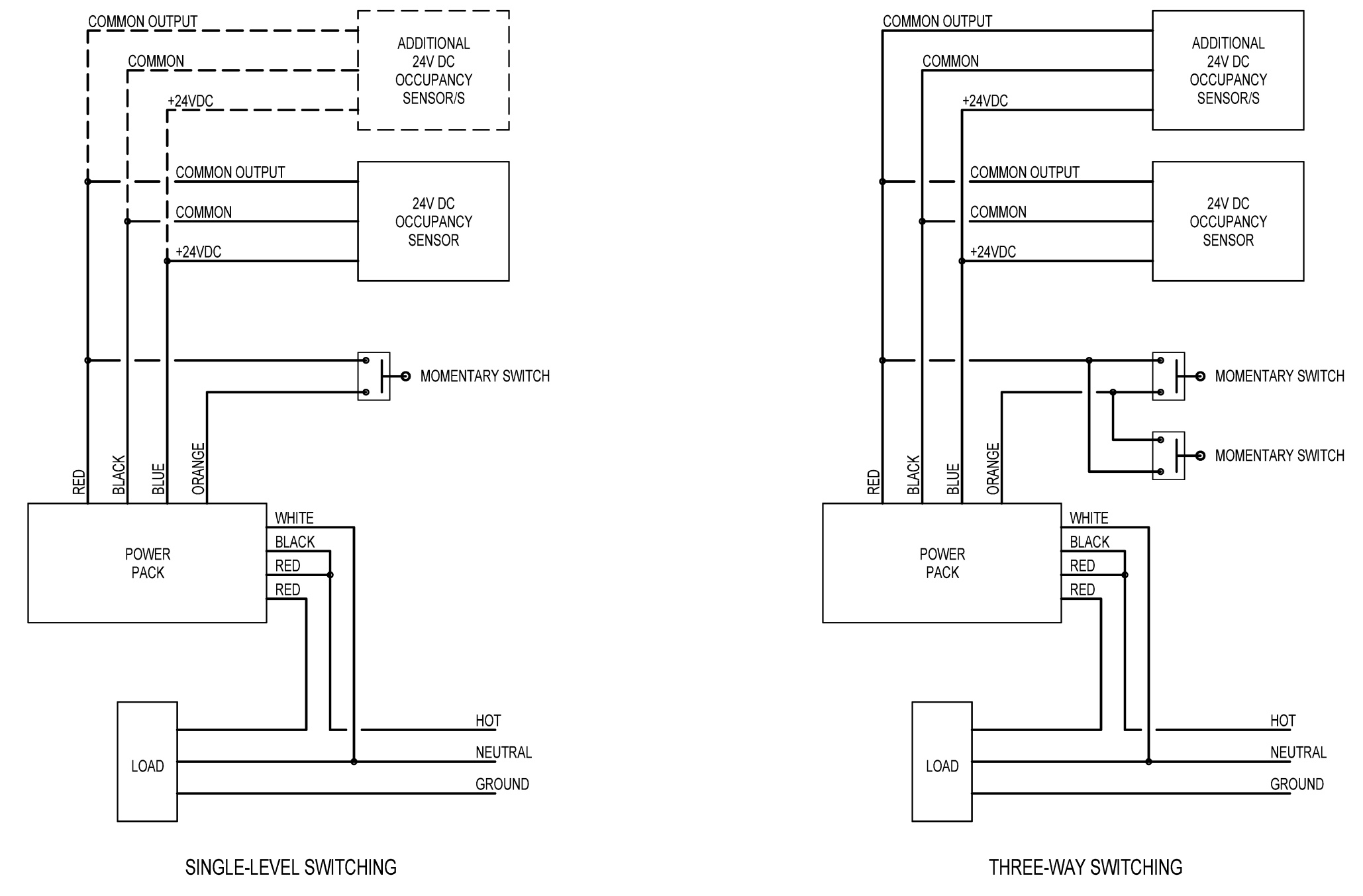
9 NOT USED NO SCALE



- NOTES: 1. ALL DEVICES AND MODULES ARE NOT NECESSARILY SHOWN ON DIAGRAM/RISER OR PLANS... 2. PROVIDE ALL NECESSARY POWER SUPPLIES, ENCLOSURES, COMMUNICATIONS CABLE... 3. PROVIDE EXTERIOR LIGHT SENSOR ON THE EAST SIDE OF THE BUILDING... 4. LOW VOLTAGE SWITCH/CONTROL STATIONS SHALL BE PROVIDED TO ALLOW ON AND OFF CONTROL OF ALL CONTROLLED LIGHTING... 5. VERIFY AND MODIFY ALL ON/OFF TIMES (SCHEDULED EVENTS) WITH OWNER AT COMPLETION OF PROJECT... 6. ALL LOW VOLTAGE WIRING SHALL BE PER MANUFACTURER'S INSTALLATION INSTRUCTIONS... 7. WIRING IS SHOWN DIAGRAMMATICALLY ONLY... 8. VERIFY QUANTITIES AND EXACT LOCATION OF ALL DEVICES WITH DRAWINGS AND SPECIFICATIONS.

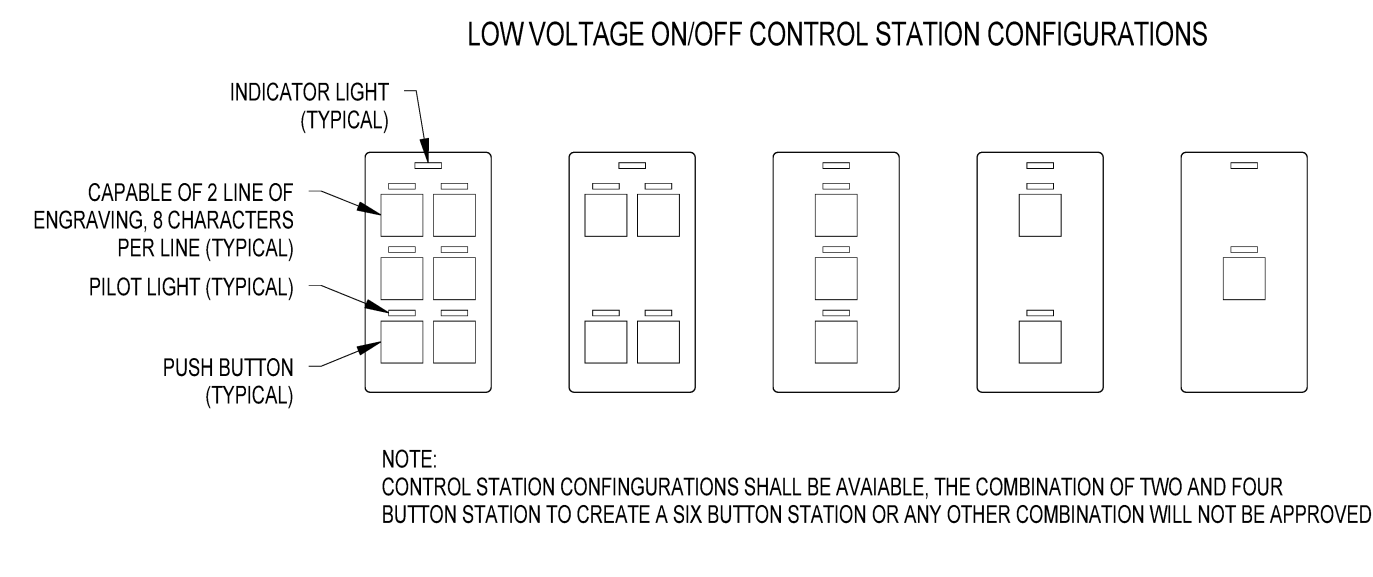
- LOW VOLTAGE LIGHTING CONTROL SYSTEM LEGEND: SLV - LOW VOLTAGE CONTROL STATION - MULTIPLE SWITCHES SHOWN IN SAME LOCATION SHALL BE MOUNTED UNDER A COMMON FACEPLATE... SLV_d.f - INDICATES ONE CONTROL STATION SWITCH CONTROLLING THREE SEPARATE RELAYS... SLV_M - LOW VOLTAGE CONTROL STATION - MASTER - ALL INTERIOR LIGHTS (ON/OFF)... SLV_EX - LOW VOLTAGE CONTROL STATION - MASTER - EXTERIOR LIGHTS (ON/OFF)... LVM - LOW VOLTAGE LIGHTING CONTROL SYSTEM RELAY PANEL - SEE PLANS FOR LOCATIONS AND NAMES

5 OCCUPANCY SENSOR CONTROL DETAIL NO SCALE



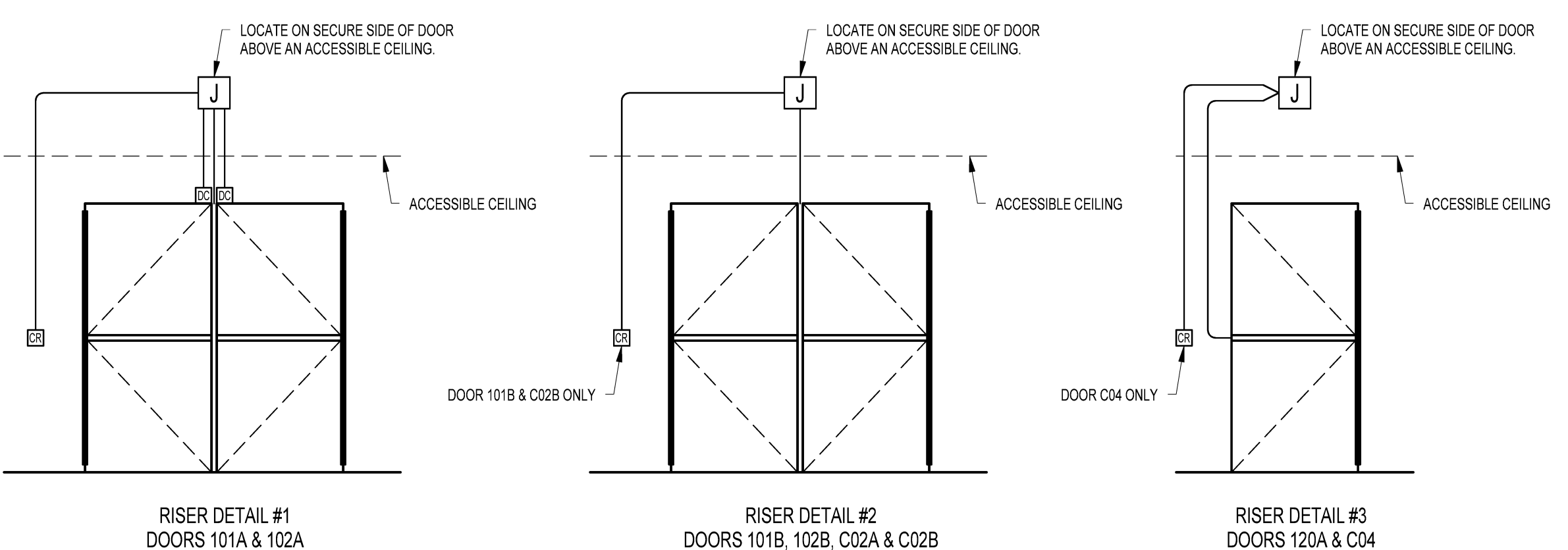
NOTE: QUANTITY AND LOCATION OF DEVICES AS INDICATED ON PLANS WIRE POWER PACK TO CIRCUIT INDICATED ON PLAN DRAWINGS DETAIL BASED ON HUBBELL UVPMM UNIVERSAL VOLTAGE POWER PACK

7 LOW VOLTAGE LIGHTING CONTROL DEFINITIONS AND SINGLE LINE RISER SCALE: 1/8" = 1'-0"



NOTE: CONTROL STATION CONFIGURATIONS SHALL BE AVAILABLE. THE COMBINATION OF TWO AND FOUR BUTTON STATION TO CREATE A SIX BUTTON STATION OR ANY OTHER COMBINATION WILL NOT BE APPROVED.

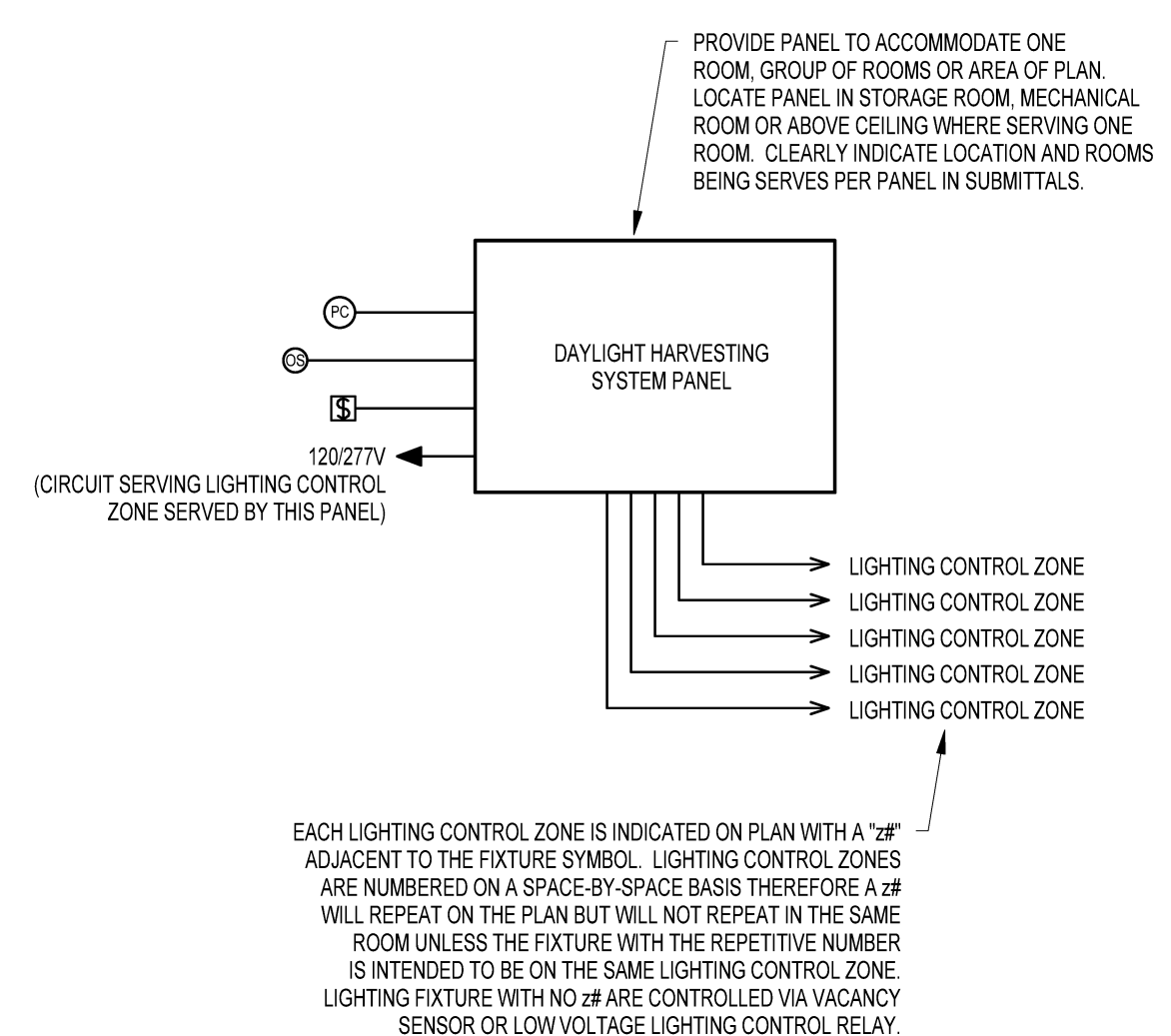
1 PROVISIONS FOR ACCESS CONTROL SCALE: 1/8" = 1'-0"



- NOTES: 1. CONDUIT AND JUNCTION BOXES (PROVISIONS FOR) PROVIDED UNDER DIVISION 26. ALL PATHWAYS SHALL BE 3/4". 2. REFER TO E20 SERIES DRAWINGS FOR DOORS REQUIRING PROVISIONS. 3. COORDINATE WITH DIVISION 08 DOOR HARDWARE AND OWNERS' VENDOR. 4. REFER TO DRAWING A10.1 FOR DOOR NUMBERS.

3 NOT USED NO SCALE

4 TYPICAL DAYLIGHT HARVESTING SYSTEM DETAIL SCALE: 1/8" = 1'-0"



EACH LIGHTING CONTROL ZONE IS INDICATED ON PLAN WITH A "Z#" ADJACENT TO THE FIXTURE SYMBOL. LIGHTING CONTROL ZONES ARE NUMBERED ON A SPACE-BY-SPACE BASIS THEREFORE A "Z#" WILL REPEAT ON A SPACE-BY-SPACE BASIS BUT WILL NOT REPEAT IN THE SAME ROOM UNLESS THE FIXTURE WITH THE REPETITIVE NUMBER IS INTENDED TO BE ON THE SAME LIGHTING CONTROL ZONE. LIGHTING FIXTURE WITH NO "Z#" ARE CONTROLLED VIA VACANCY SENSOR OR LOW VOLTAGE LIGHTING CONTROL RELAY.

Issues and Revisions table with columns: Mark, Date, Description. Includes entries for 03-25-16, 04-21-16, and 07-22-16.

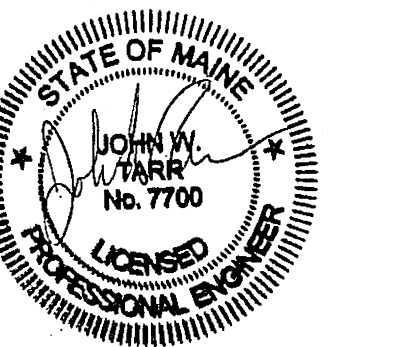


Table with columns: Drawing, Scale, Date, and other project details. Includes drawing scales and dates.

DETAILS

E70.2

Plot Date: 7/21/2016 1:54:02 PM