



HARRIMAN

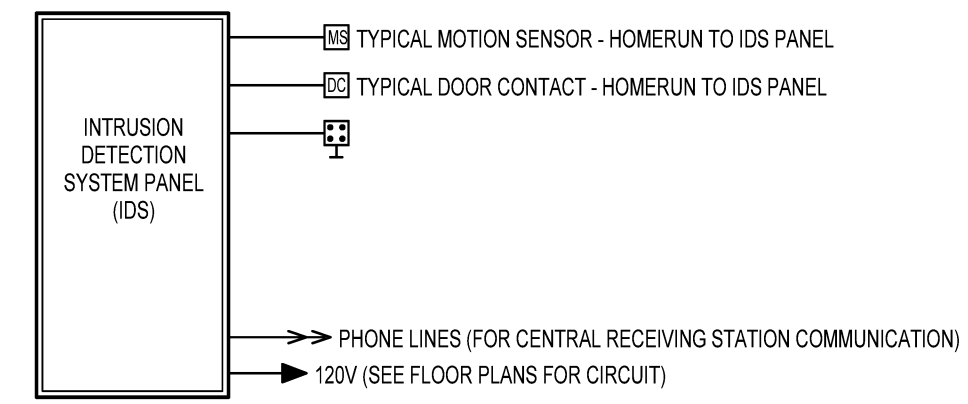
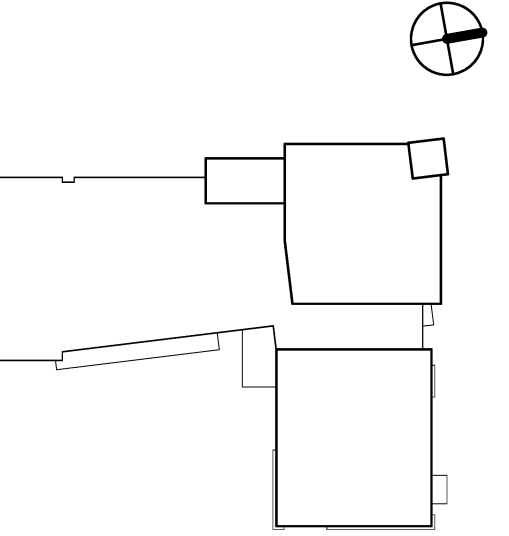
AUBURN PORTLAND MANCHESTER

JEWISH COMMUNITY ALLIANCE OF SOUTHERN MAINE

PORTLAND, ME

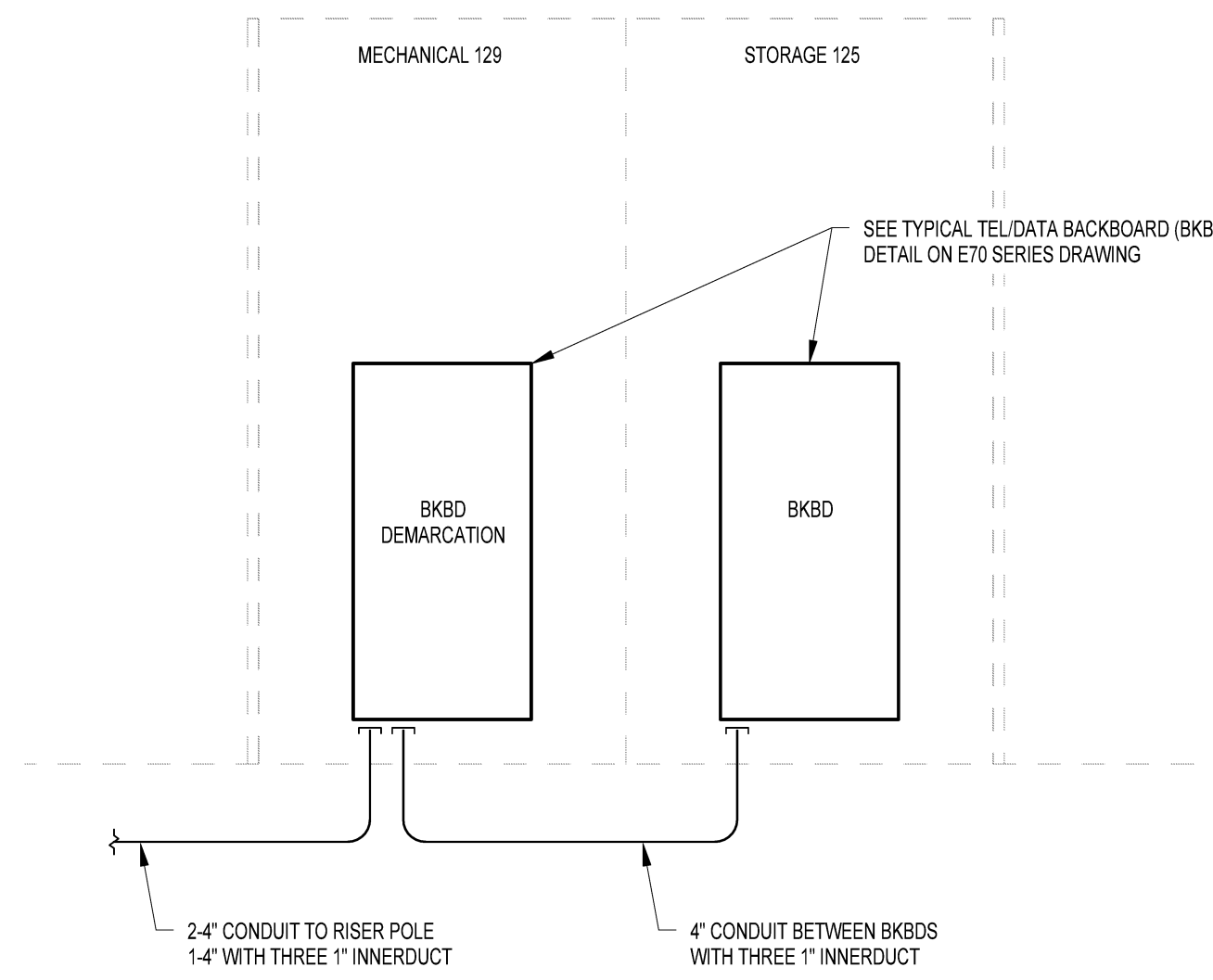
Harriman Project No. 15309

Key Plan Proj North

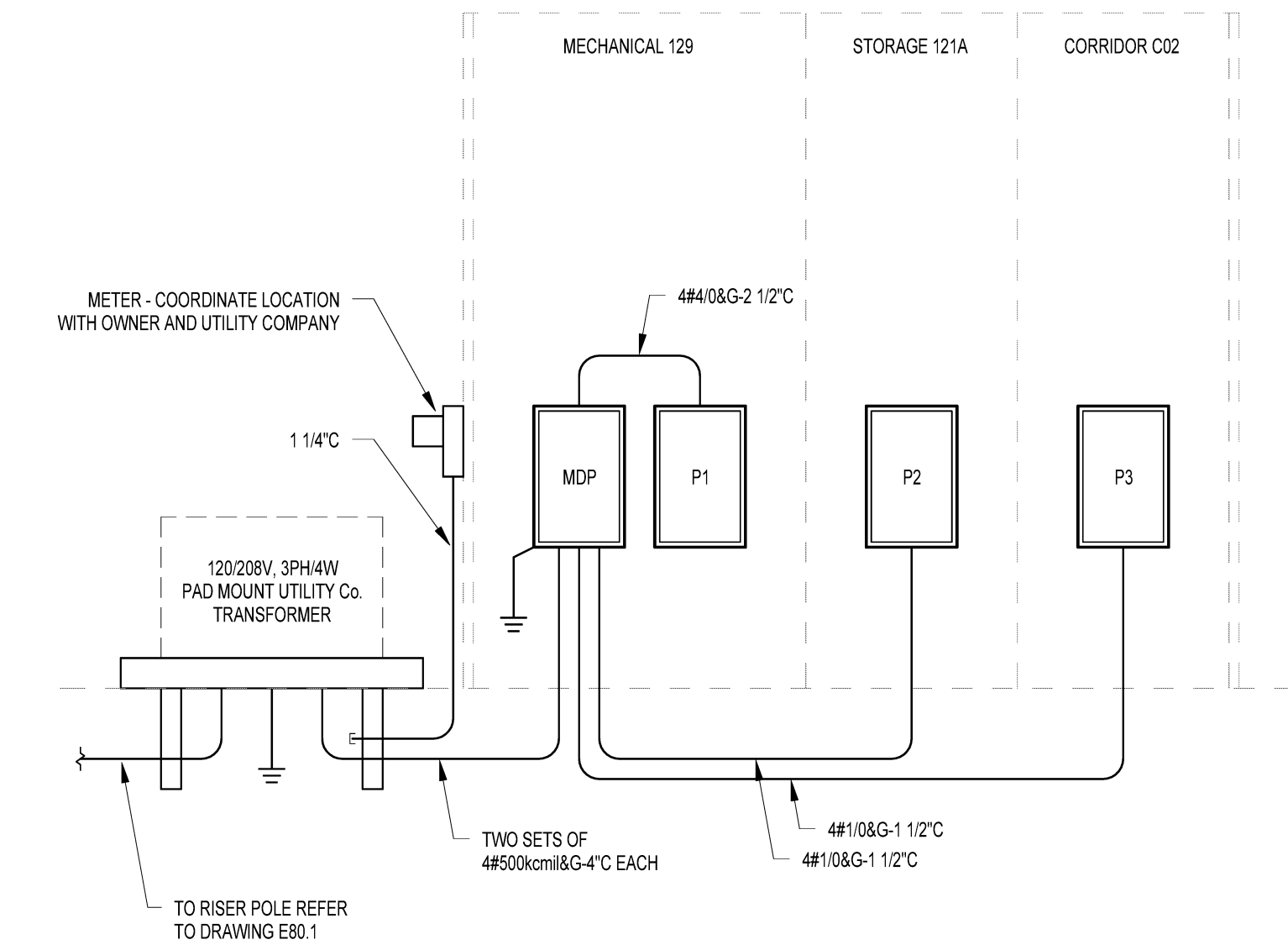


- NOTES:
1. SEE FLOOR PLANS FOR QUANTITIES AND LOCATIONS OF DEVICES.
  2. ALL WIRING SHALL BE AS SPECIFIED AND AS REQUIRED BY THE MANUFACTURER.
  3. ALL DEVICES SHALL BE PROPERLY ADJUSTED TO COVER INTENDED AREAS.

10 INTRUSION DETECTION SYSTEM SINGLE LINE RISER SCALE: 1/8" = 1'-0"



11 COMMUNICATIONS RISER SCALE: 1/8" = 1'-0"

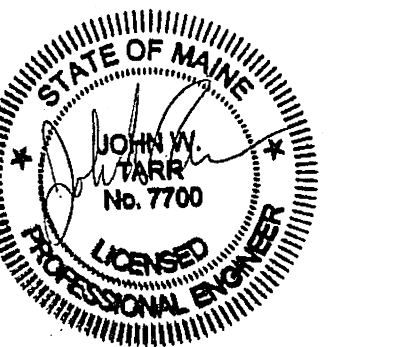


12 POWER RISER SCALE: 1/8" = 1'-0"

9 NOT USED NO SCALE

1 NOT USED NO SCALE

Issues and Revisions		
Mark	Date	Description
	03-25-16	CONSTRUCTION DOCUMENTS
1	07-22-16	CONFORMANCE SET



Drawing Scales	
NO SCALE	—
—	—
—	—
—	—
PA/PE: JWT	© 2016 Harriman Associates
Drawn By: JMB	

SINGLE LINE RISER DIAGRAMS

E50.1