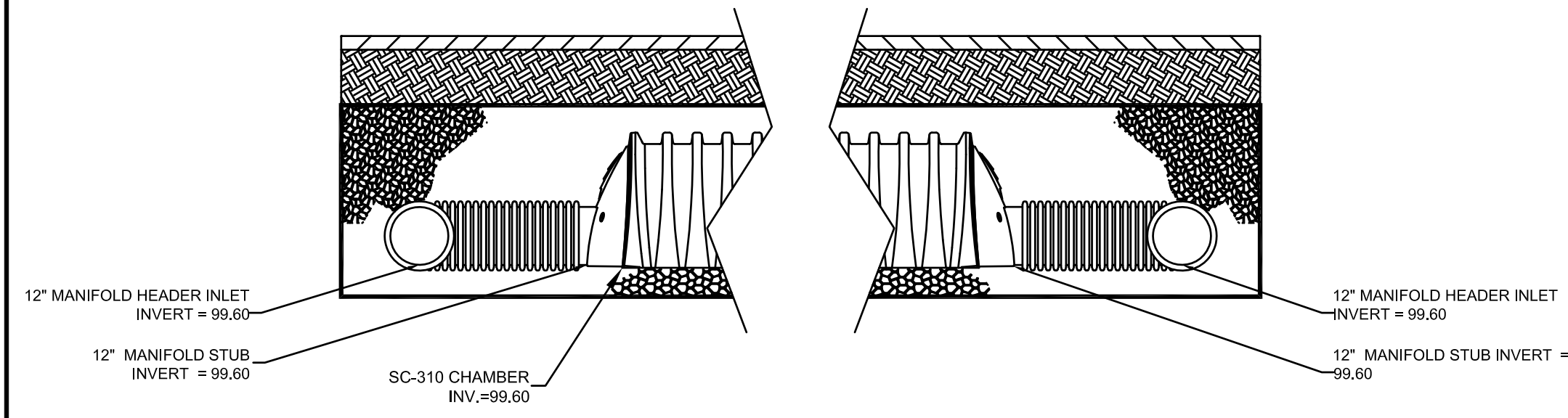


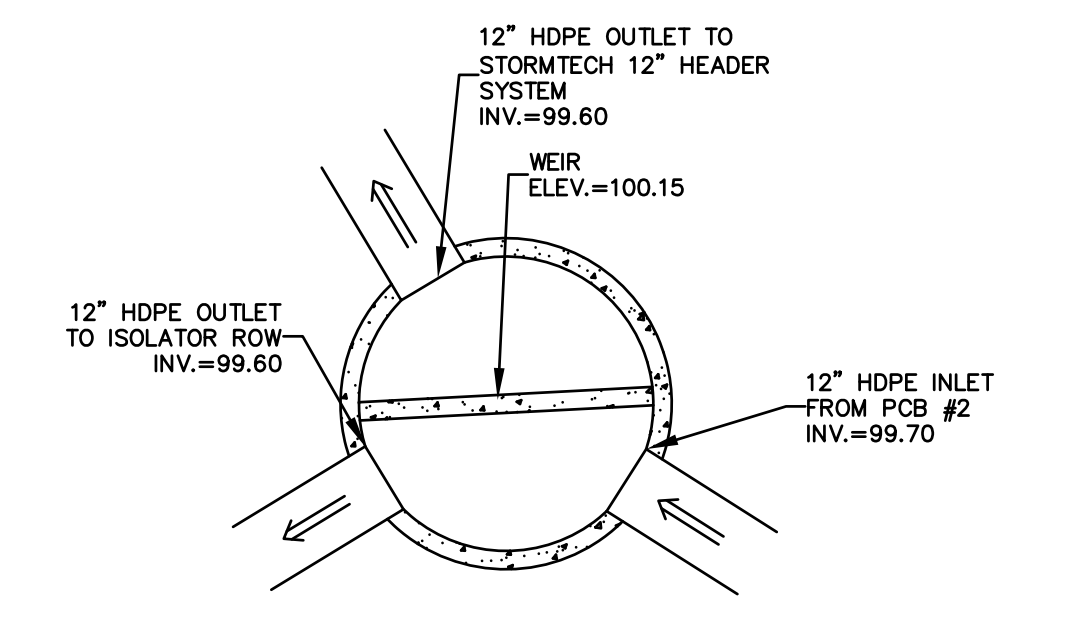
**NOTES:**

- SC-310 CHAMBERS SHALL CONFORM TO THE REQUIREMENTS OF ASTM F2418 "STANDARD SPECIFICATION FOR POLYPROPYLENE (PP) CORRUGATED WALL STORMWATER COLLECTION CHAMBERS", OR ASTM F2922 "STANDARD SPECIFICATION FOR POLYETHYLENE (PE) CORRUGATED WALL STORMWATER COLLECTION CHAMBERS".
- SC-310 CHAMBERS SHALL BE DESIGNED IN ACCORDANCE WITH ASTM F2787 "STANDARD PRACTICE FOR STRUCTURAL DESIGN OF THERMOPLASTIC CORRUGATED WALL STORMWATER COLLECTION CHAMBERS".
- "ACCEPTABLE FILL MATERIALS" TABLE ABOVE PROVIDES MATERIAL LOCATIONS, DESCRIPTIONS, GRADATIONS, AND COMPACTION REQUIREMENTS FOR FOUNDATION, EMBEDMENT, AND FILL MATERIALS.
- THE "SITE DESIGN ENGINEER" REFERS TO THE ENGINEER RESPONSIBLE FOR THE DESIGN AND LAYOUT OF THE STORMTECH CHAMBERS FOR THIS PROJECT.
- PERIMETER STONE MUST BE EXTENDED HORIZONTALLY TO THE EXCAVATION WALL FOR BOTH VERTICAL AND SLOPED EXCAVATION WALLS.

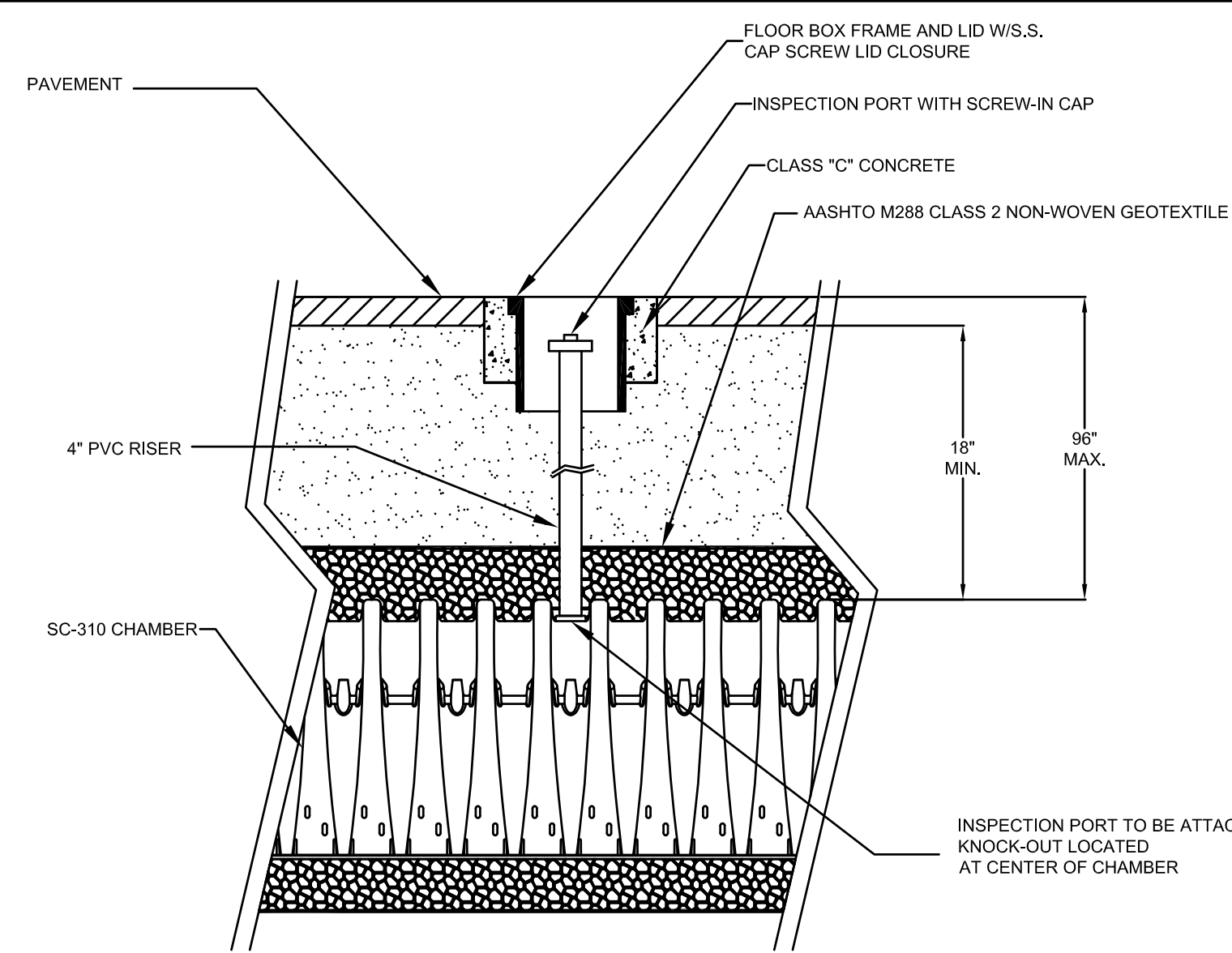
**SC-310 CHAMBER SYSTEM CROSS-SECTION**  
NOT TO SCALE



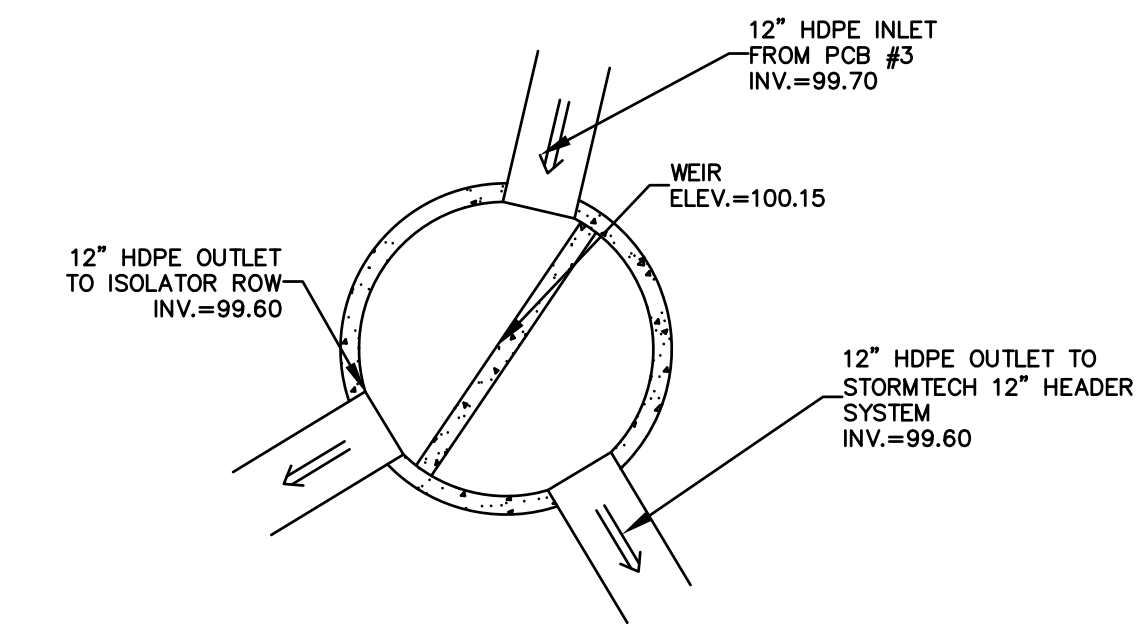
**SC-310 CHAMBER HEADER DETAIL**  
NOT TO SCALE



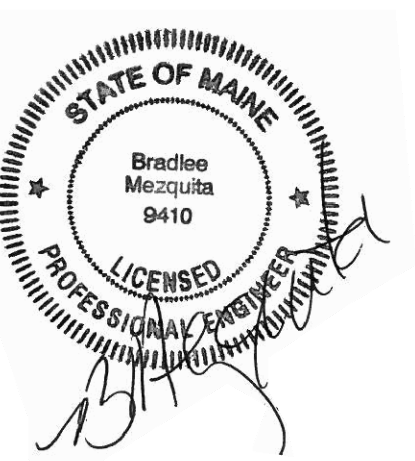
**INLET STRUCTURE DETAIL - PDMH#1**  
NOT TO SCALE



**INSPECTION PORT DETAIL**  
NOT TO SCALE



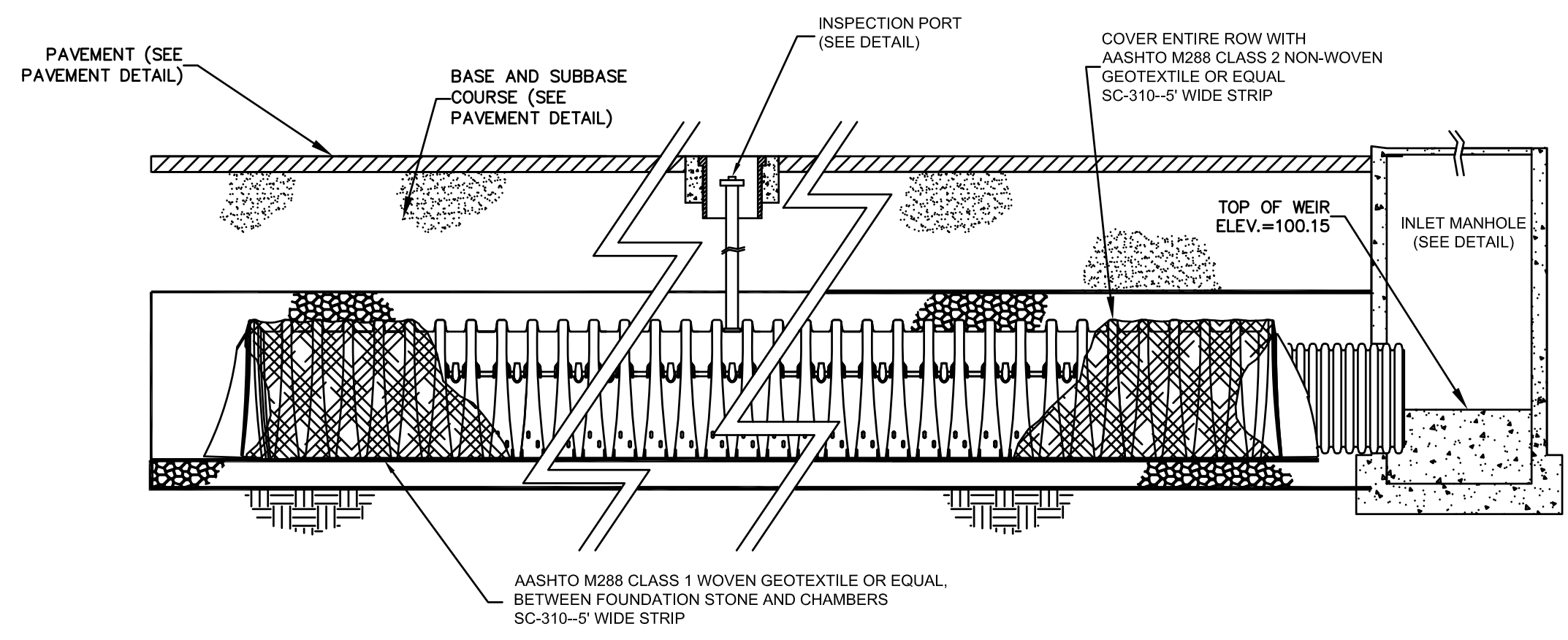
**INLET STRUCTURE DETAIL - PDMH#5**  
NOT TO SCALE



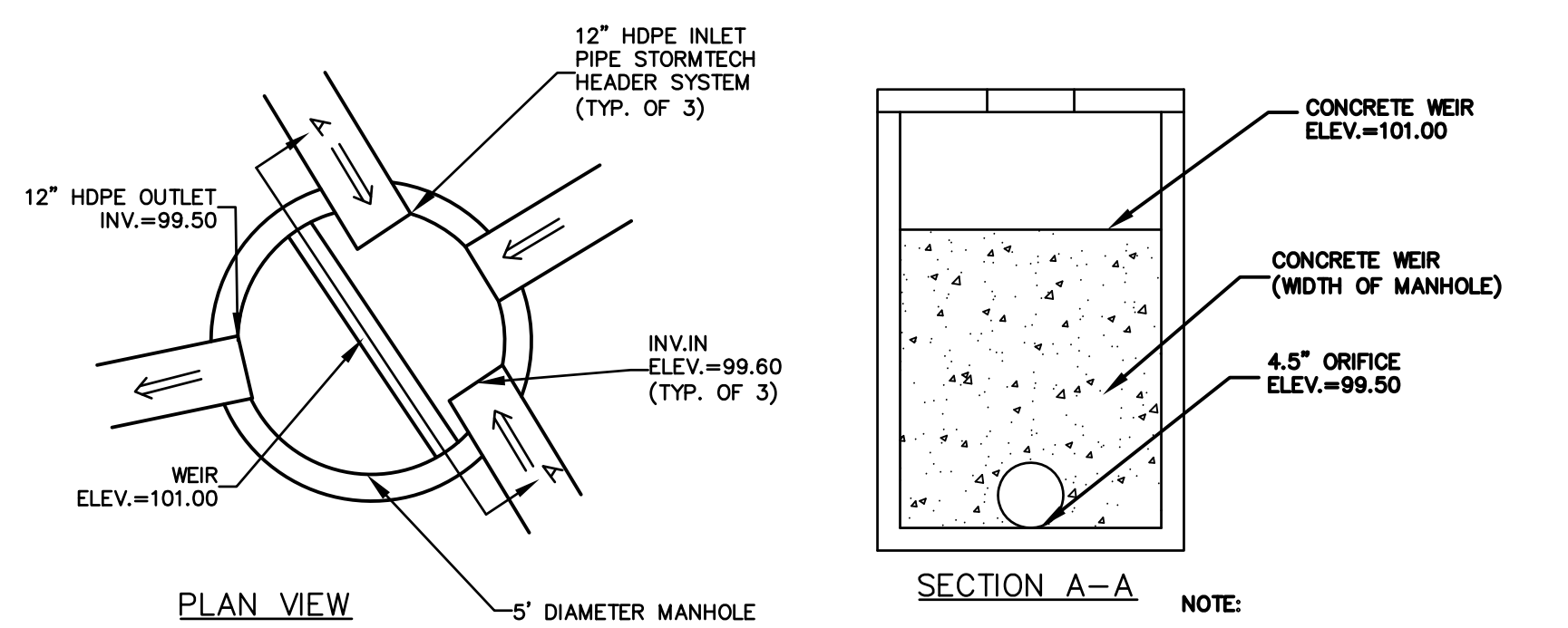
**Jewish Community Alliance of Southern Maine**

Proposed Neighborhood Center  
Portland, Maine

July 11, 2016



**SC-310 ISOLATOR ROW DETAIL**  
NOT TO SCALE



**OUTLET STRUCTURE DETAIL - PDMH#2**  
NOT TO SCALE

**NOTE:**  
1. CONTRACTOR SHALL PROVIDE A SUBMITTAL FOR THIS STRUCTURE

Mark	Date	Description

PROJECT NO: J-0096  
FILE: J0096-DETAILS.dwg  
DRAWN BY: GWH  
CHECKED: BLM  
APPROVED BY: BLM

DETAILS SHEET

SCALE: AS SHOWN