

HARRIMAN

AUBURN PORTLAND MANCHESTER

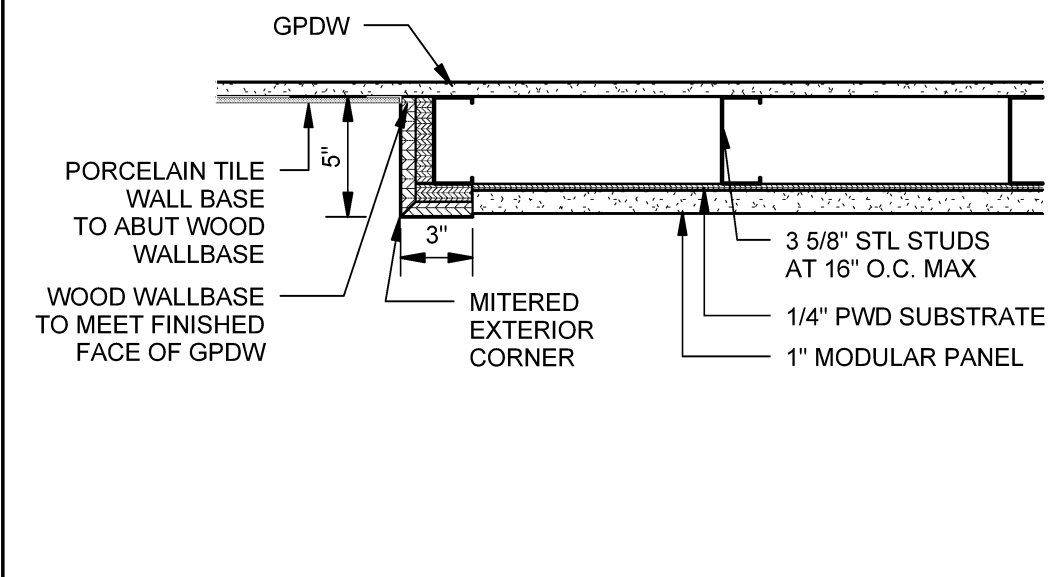
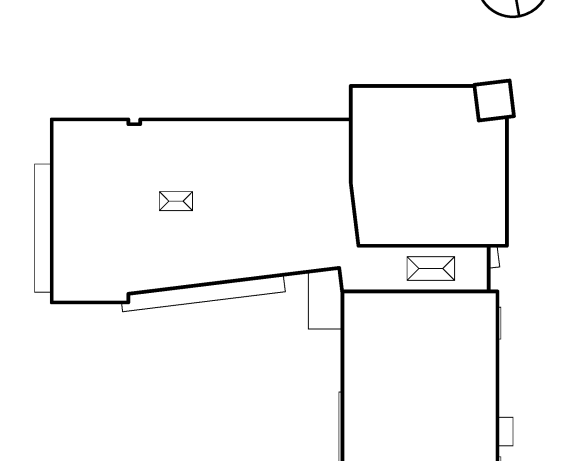
JEWISH COMMUNITY ALLIANCE OF SOUTHERN MAINE

PORTLAND, ME

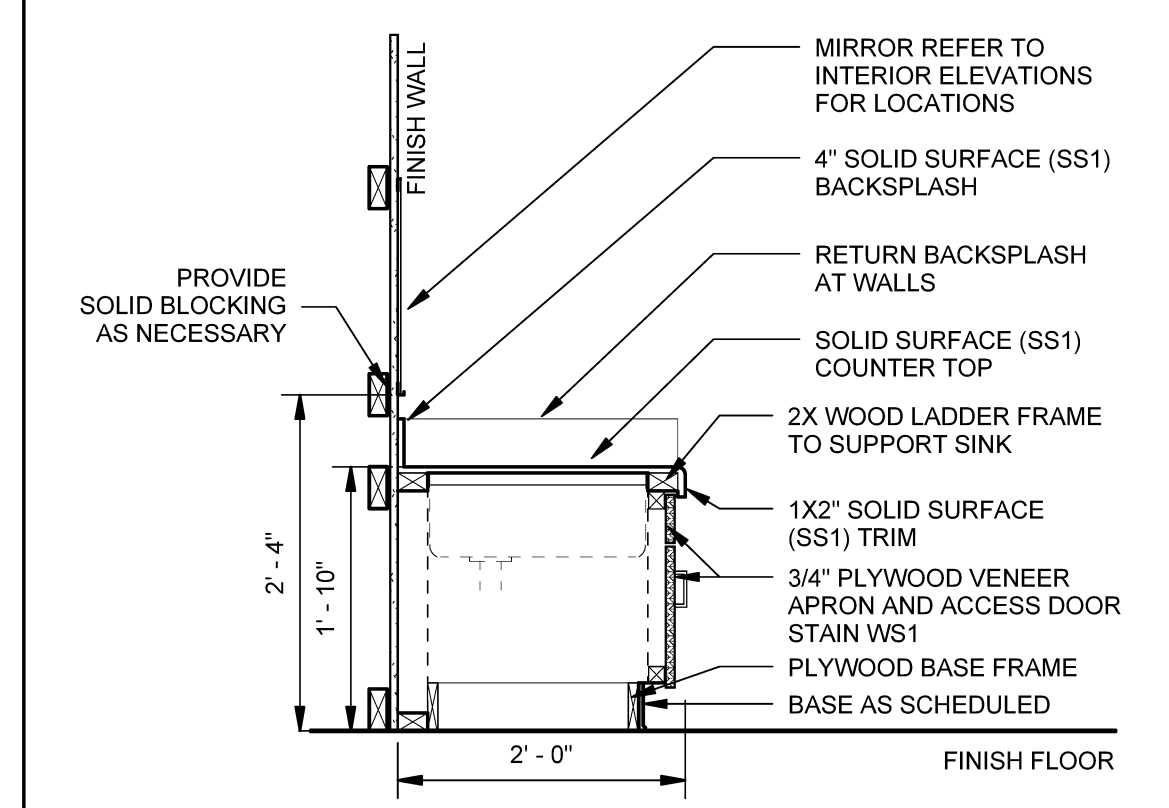
Harriman Project No. 15309

Key Plan

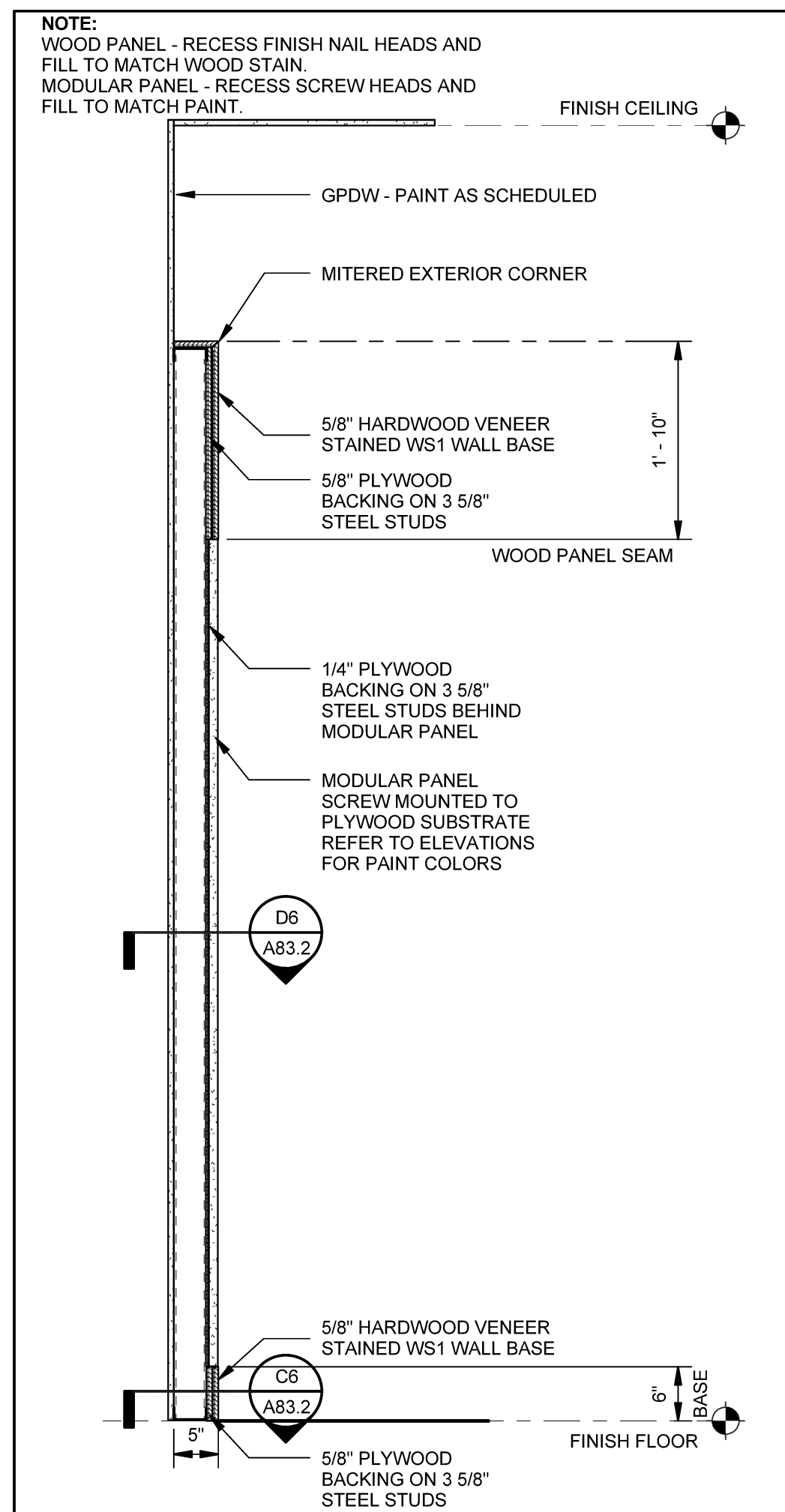
Proj North



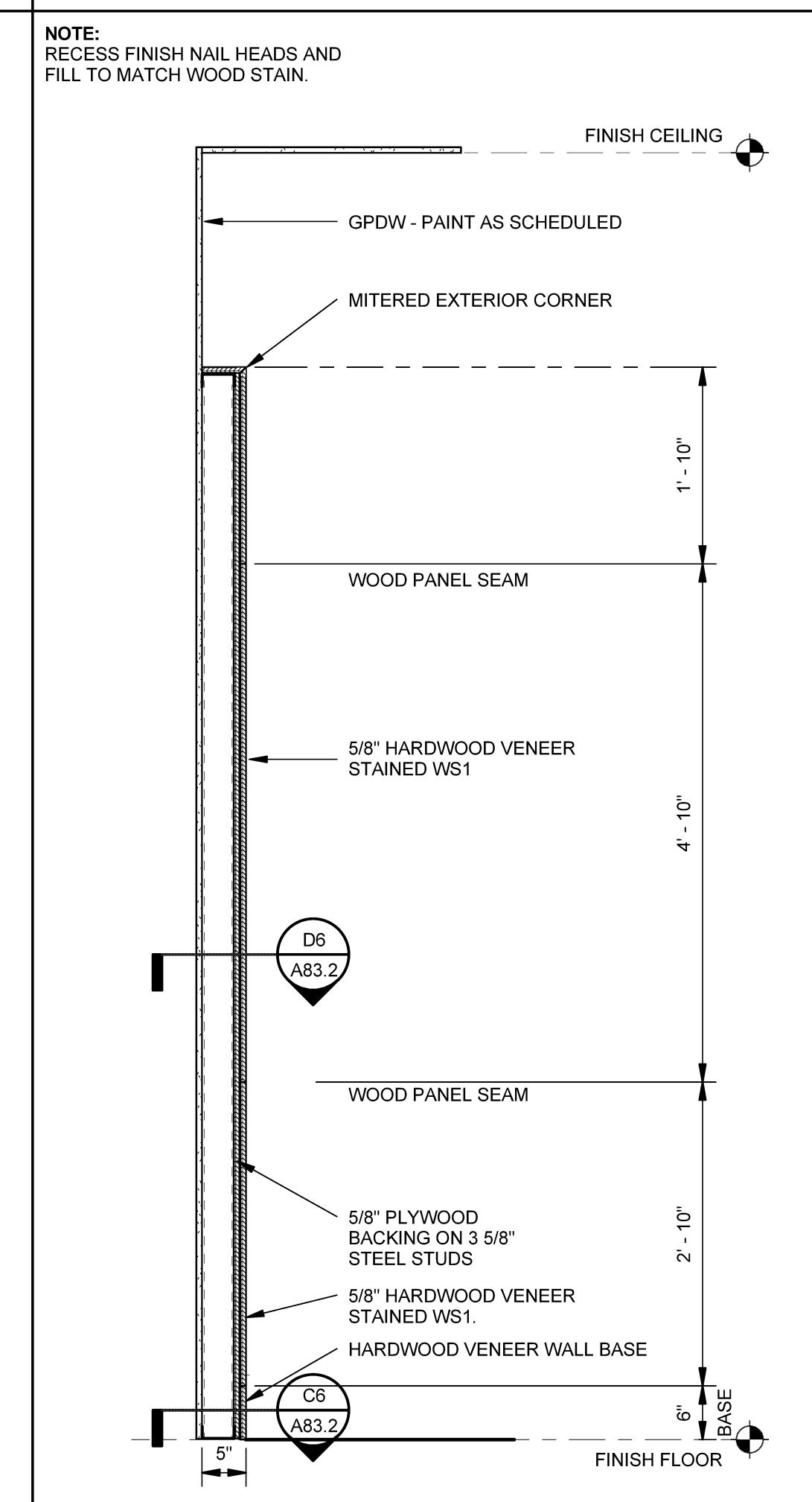
E5 MODULAR PANEL PLAN DETAIL  
SCALE: 1 1/2" = 1'-0"



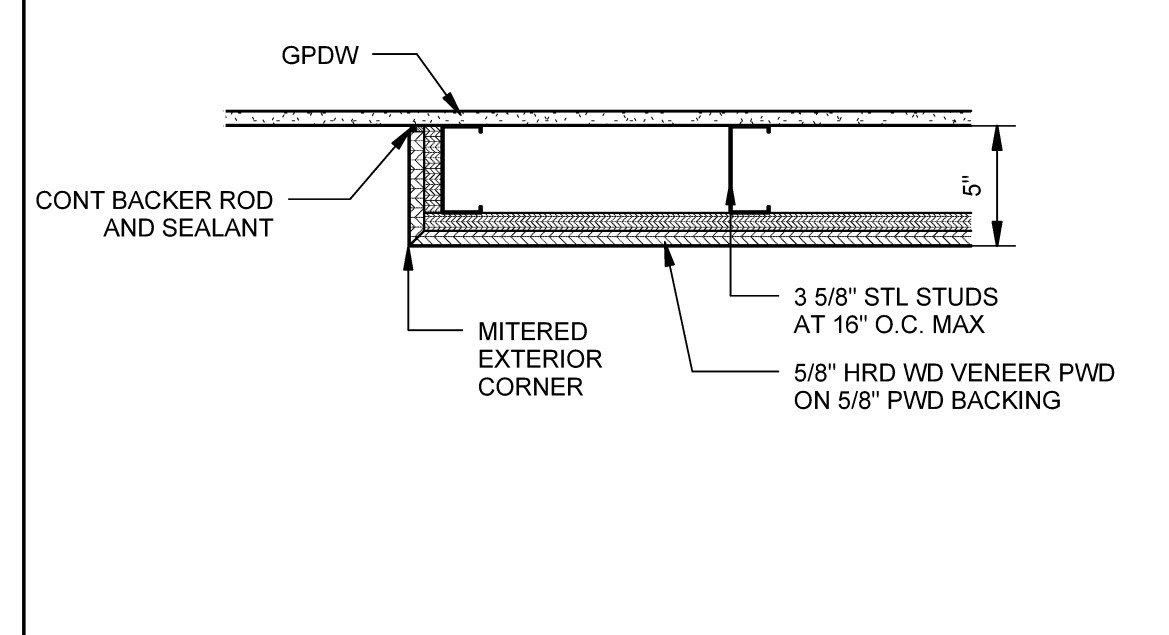
E6 SECTION AT TROUGH SINK  
SCALE: 3/4" = 1'-0"



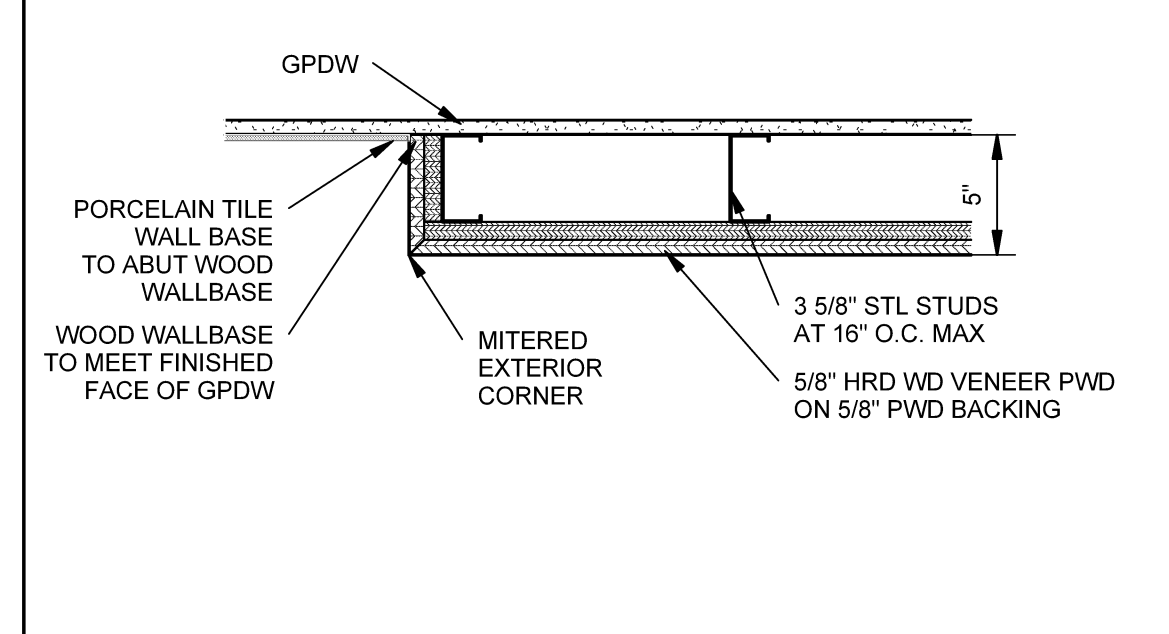
C4 WOOD AND MODULAR PANEL SECTION DETAIL  
SCALE: 3/4" = 1'-0"



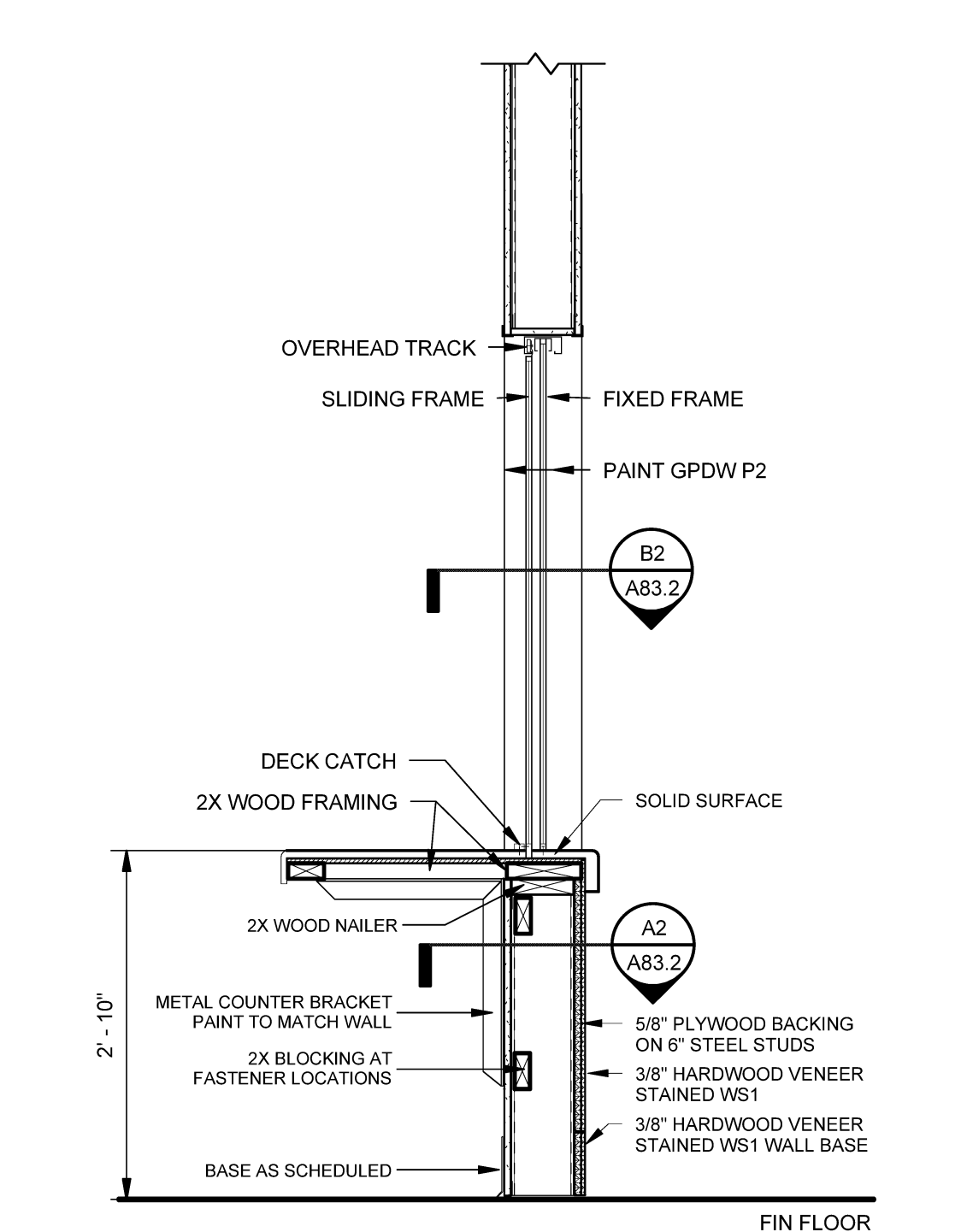
C5 WOOD PANEL SECTION DETAIL  
SCALE: 3/4" = 1'-0"



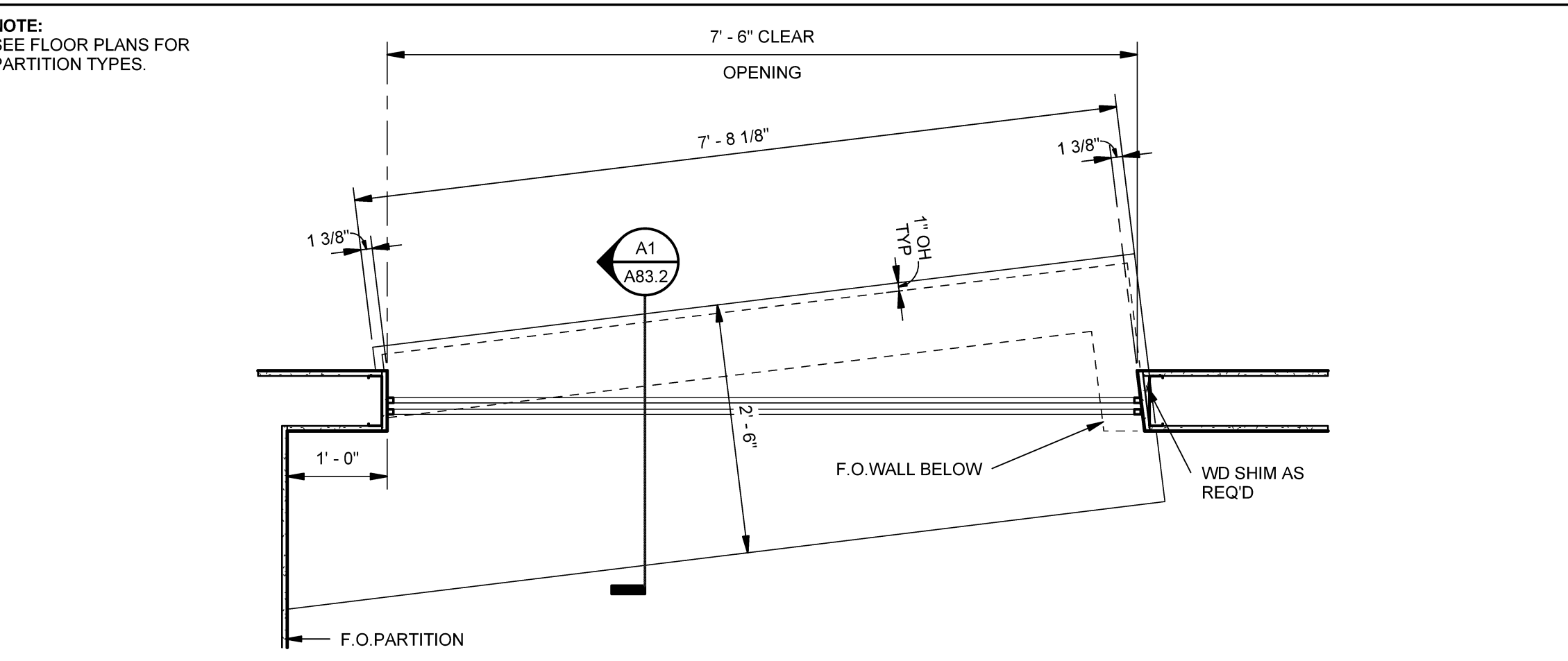
D6 WOOD PANEL PLAN DETAIL  
SCALE: 1 1/2" = 1'-0"



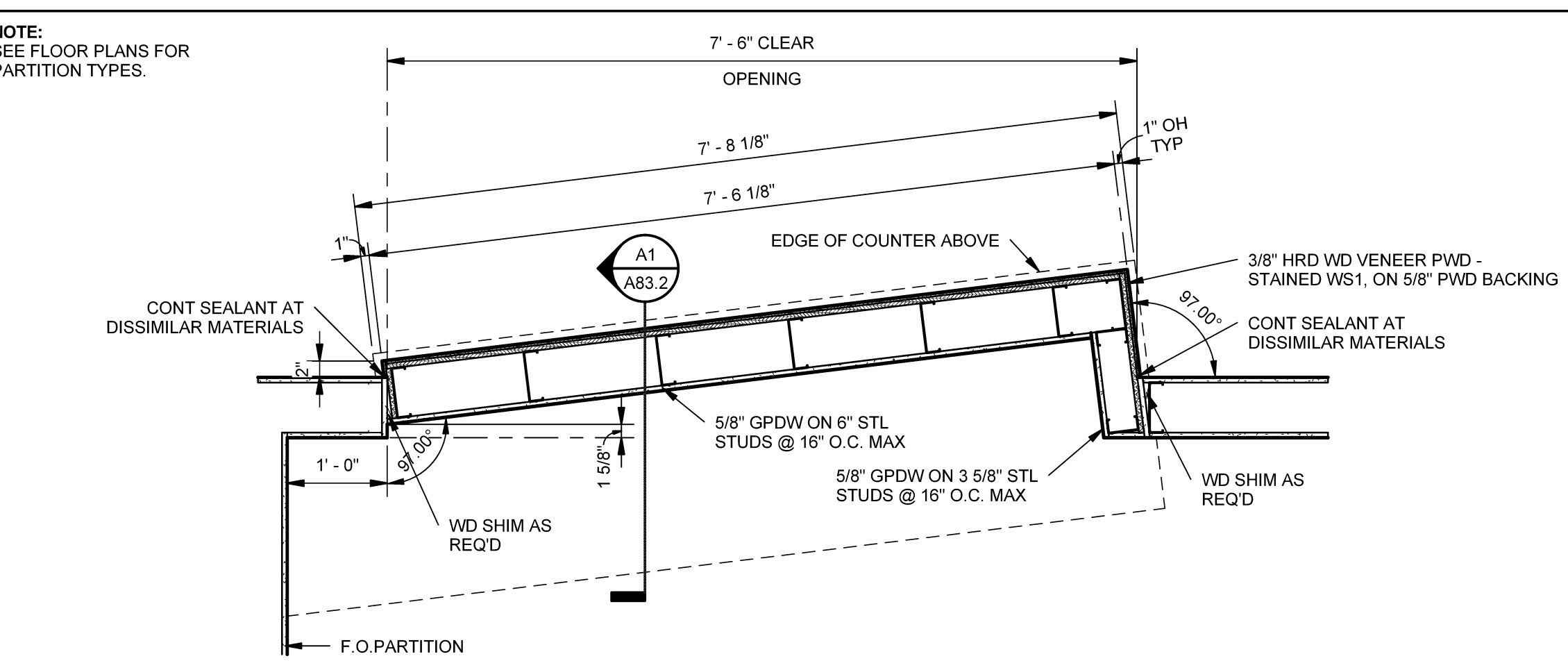
C6 WOOD PANEL PLAN DETAIL  
SCALE: 1 1/2" = 1'-0"



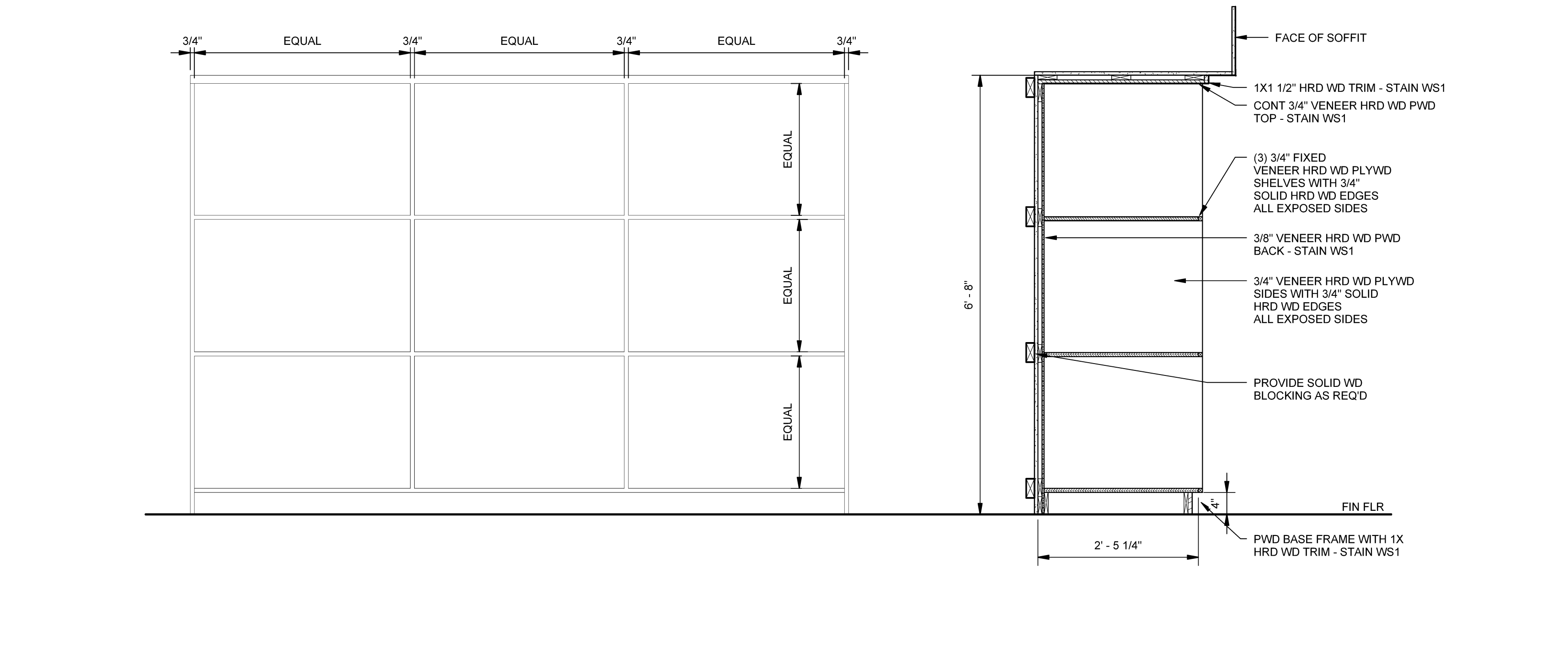
A1 RECEPTION COUNTER SECTION DETAIL  
SCALE: 3/4" = 1'-0"



B2 RECEPTION COUNTER PLAN  
SCALE: 3/4" = 1'-0"

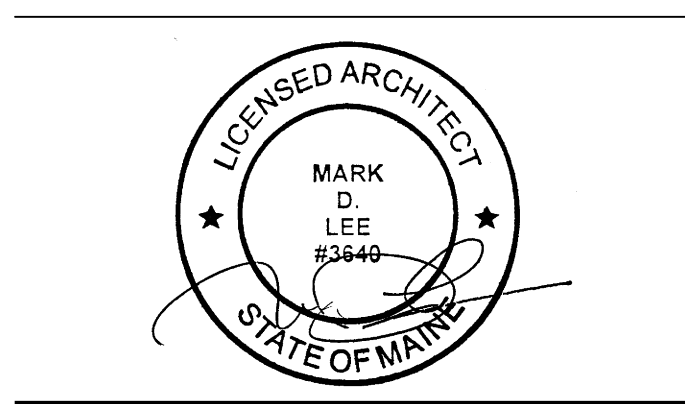


A2 RECEPTION COUNTER PLAN DETAIL  
SCALE: 3/4" = 1'-0"



A4 CAR SEAT STORAGE DETAIL  
SCALE: 3/4" = 1'-0"

Mark	Date	Description
-	03-25-16	CONSTRUCTION DOCUMENTS
1	04-21-16	ADDENDUM #2
2	07-22-16	CONFORMANCE SET



Drawing	Scale	Notes
	As indicated	

PA/PE: MDL © 2016 Harriman Associates  
Drawn By: JAE

MILLWORK DETAILS

A83.2

Plot Date: 7/22/2016 9:45:57 AM