



HARRIMAN

AUBURN PORTLAND MANCHESTER

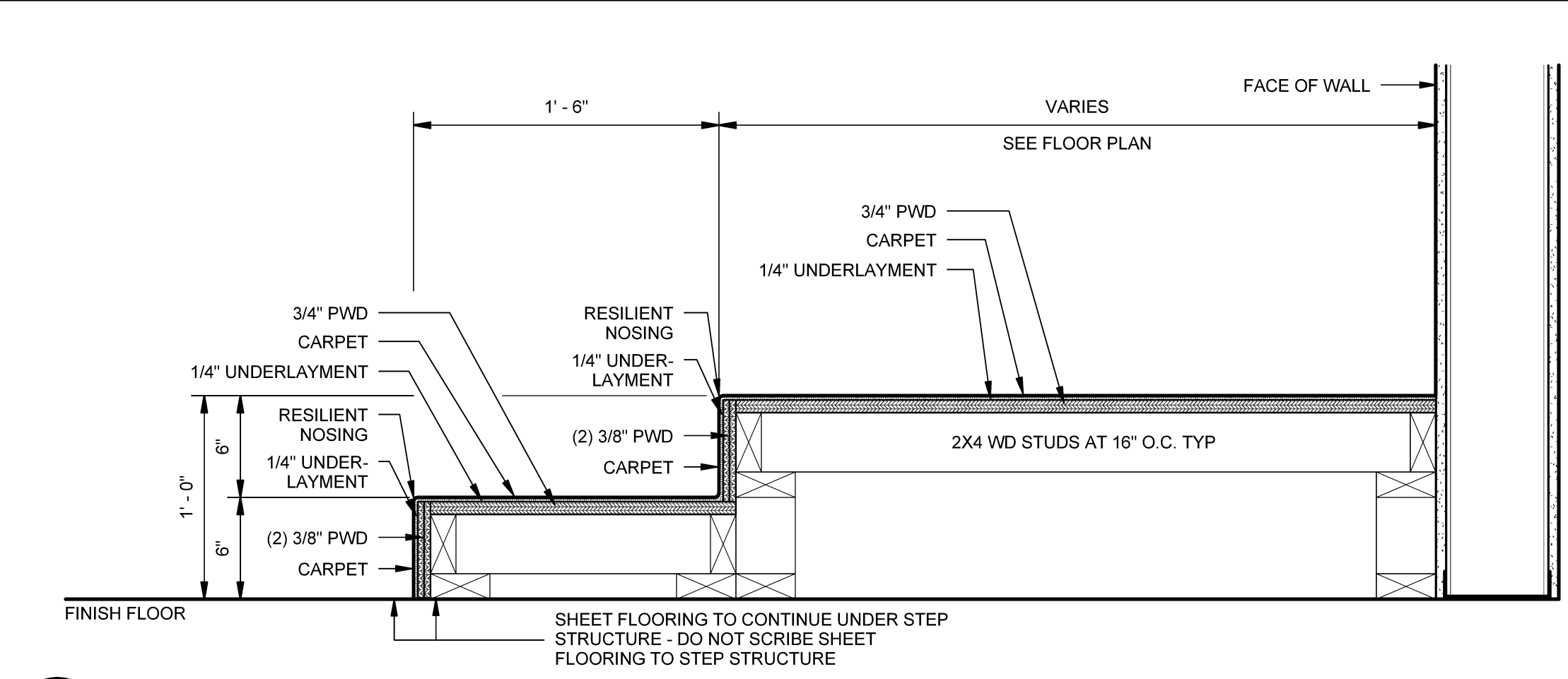
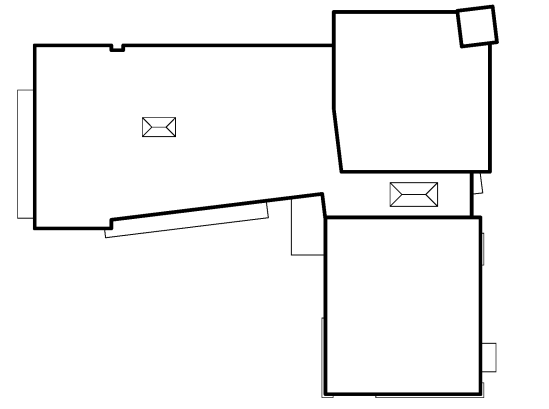
JEWISH COMMUNITY ALLIANCE OF SOUTHERN MAINE

PORTLAND, ME

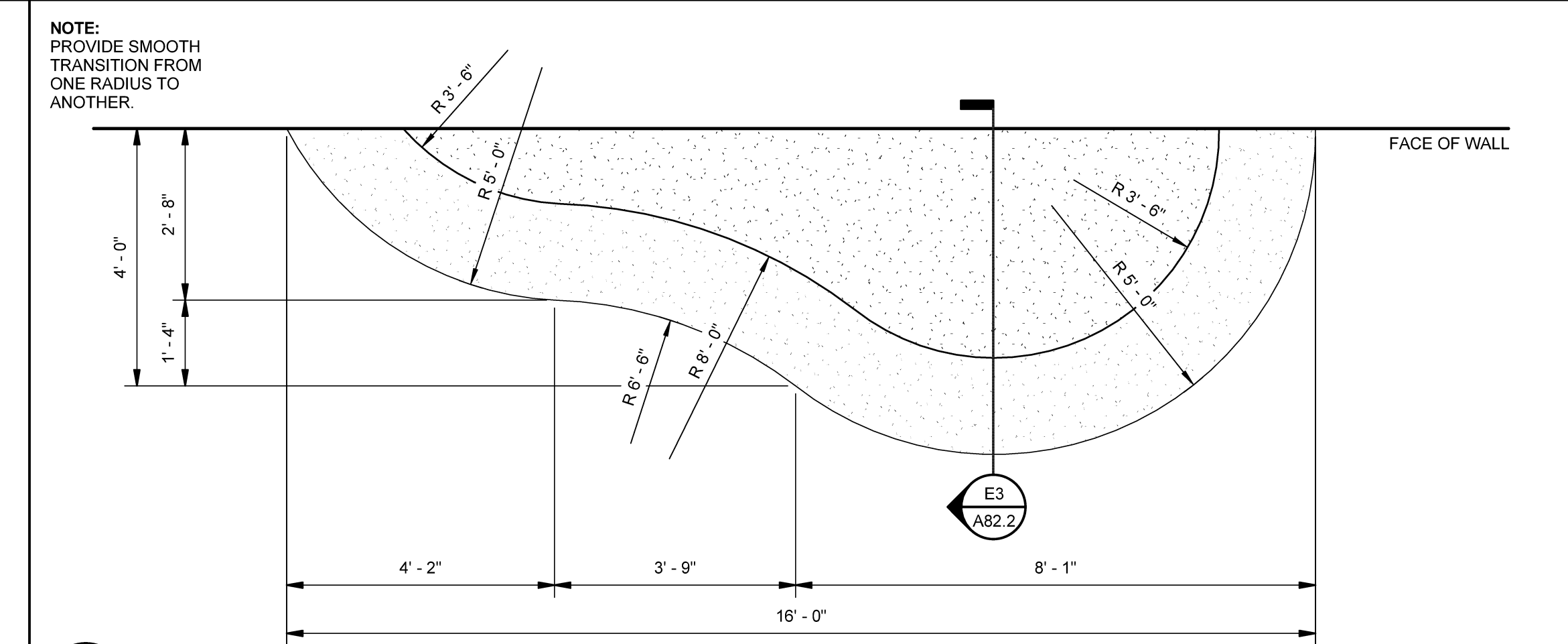
Harriman Project No. 15309

Key Plan

Proj North



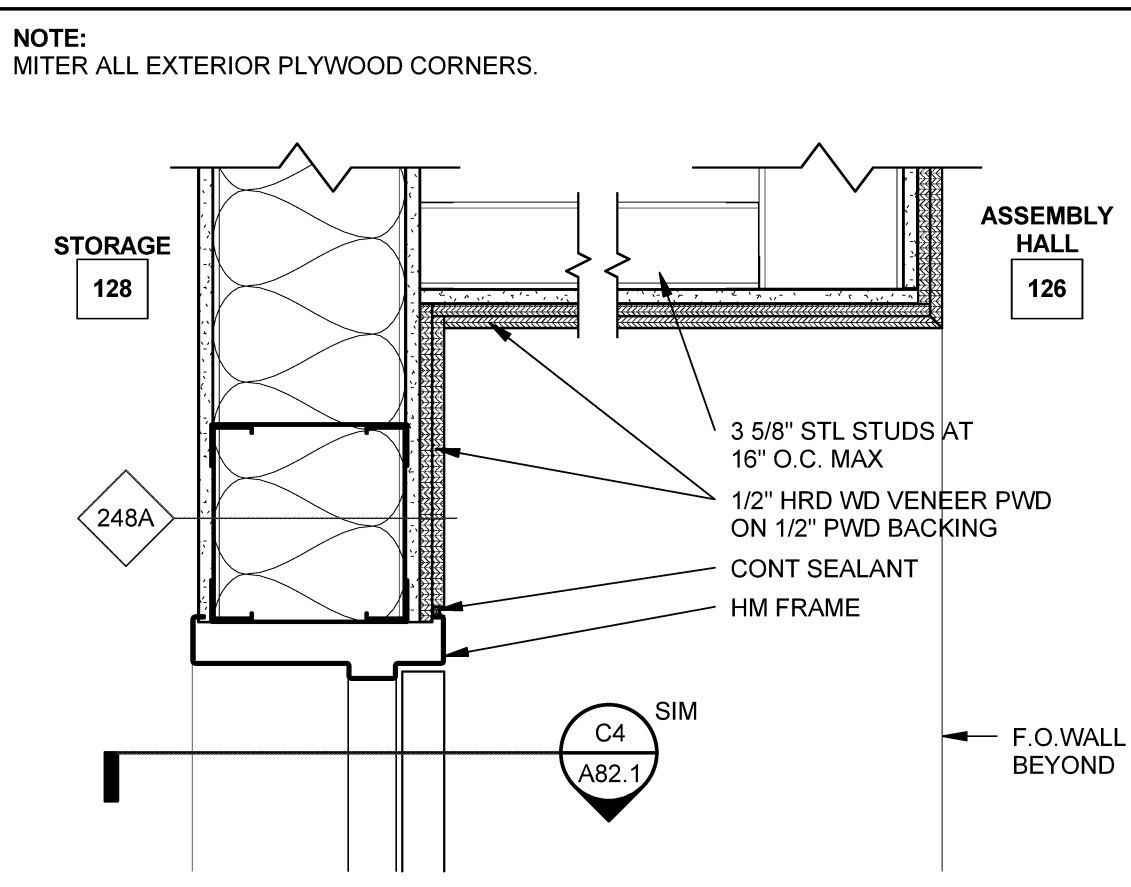
E3 TIERED SEATING SECTION SCALE: 1/12" = 1'-0"



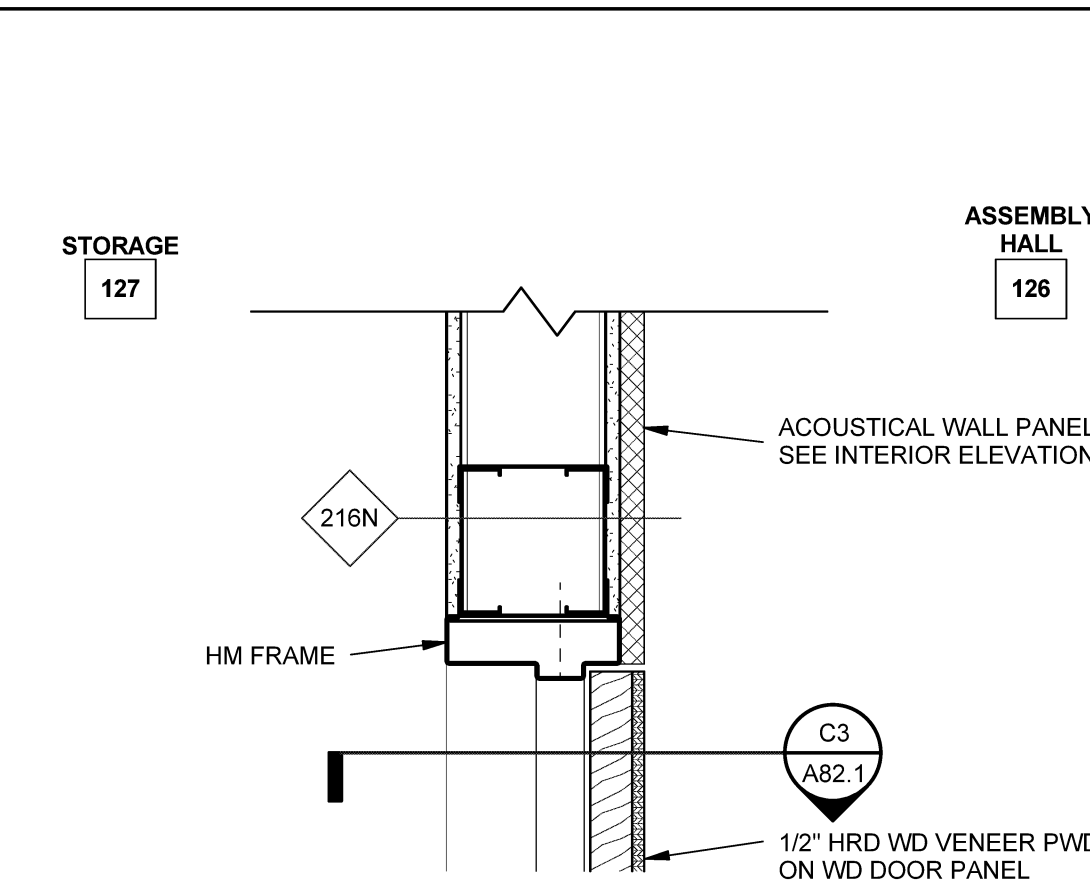
E5 TIERED SEATING PLAN DETAIL SCALE: 1/2" = 1'-0"



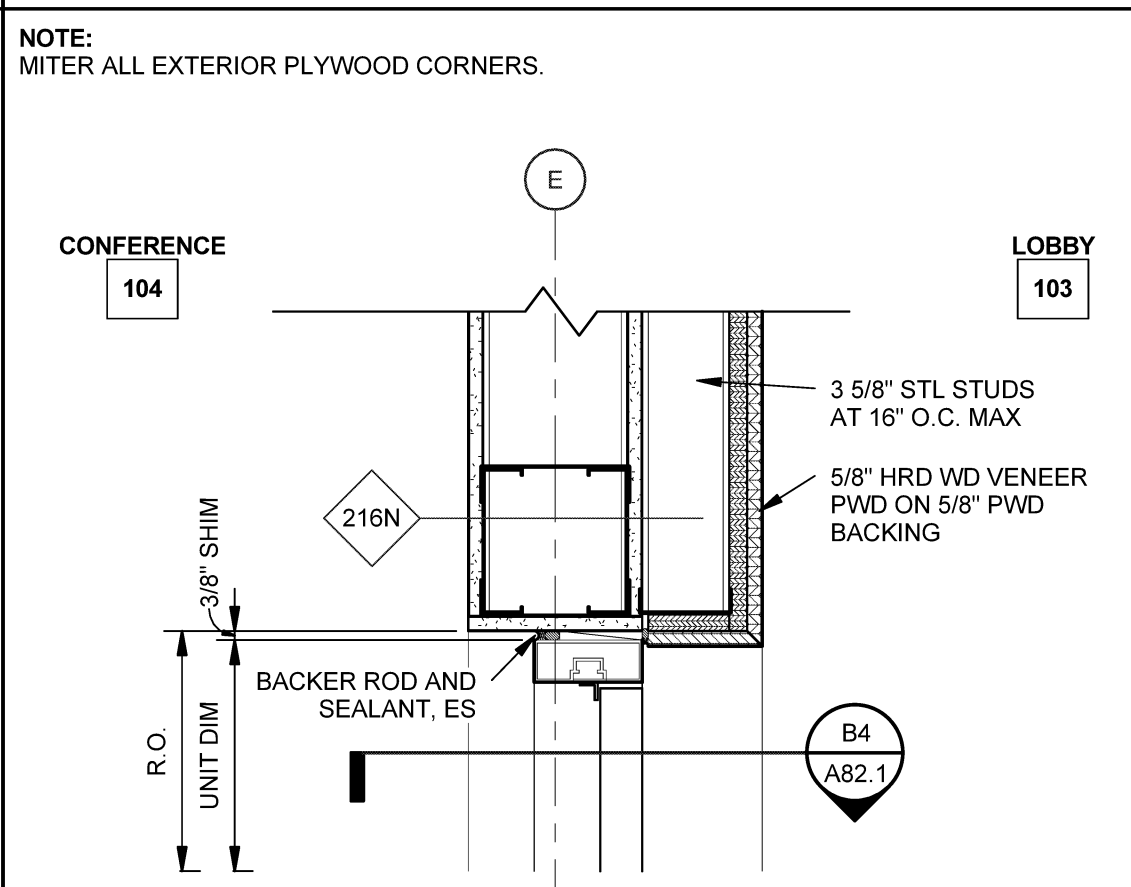
D2 TYPICAL MOP RECEPTOR PANEL DETAIL SCALE: 1/2" = 1'-0"



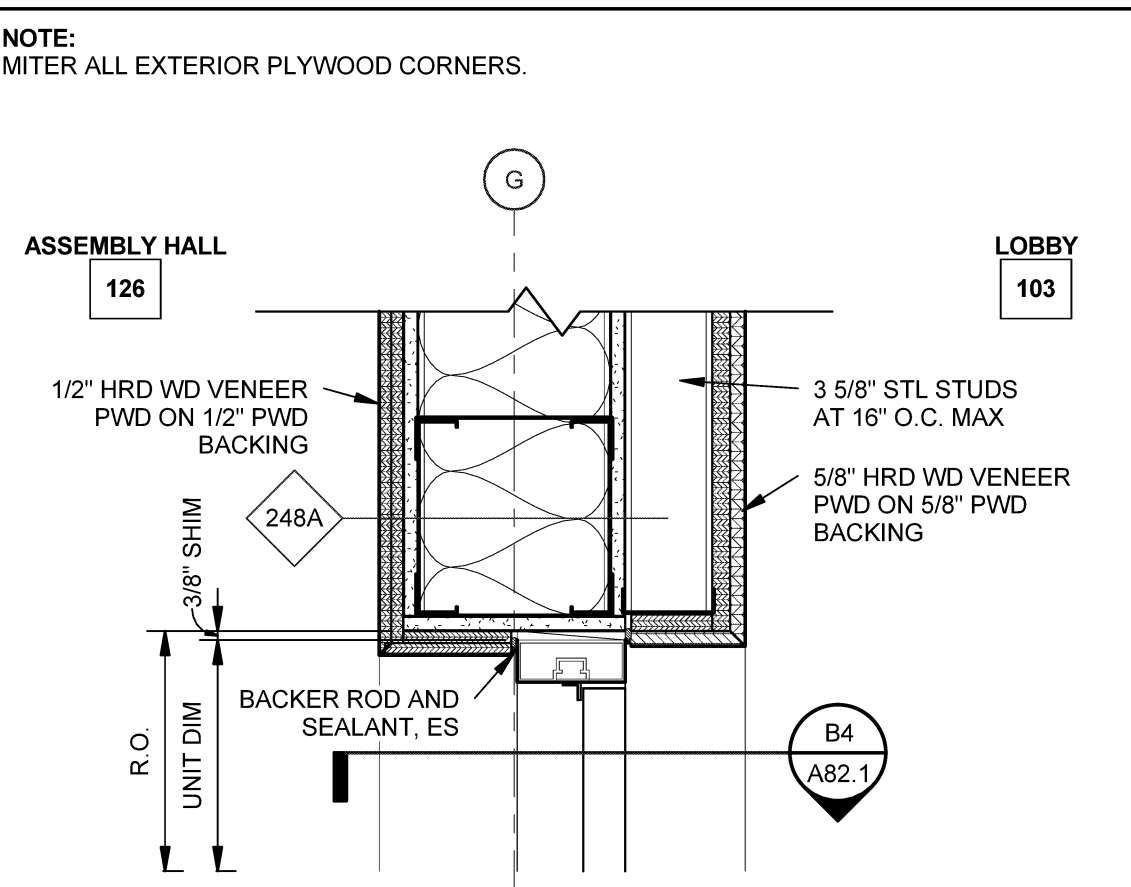
D3 HEAD DETAIL AT DOOR 128A SCALE: 1/12" = 1'-0"



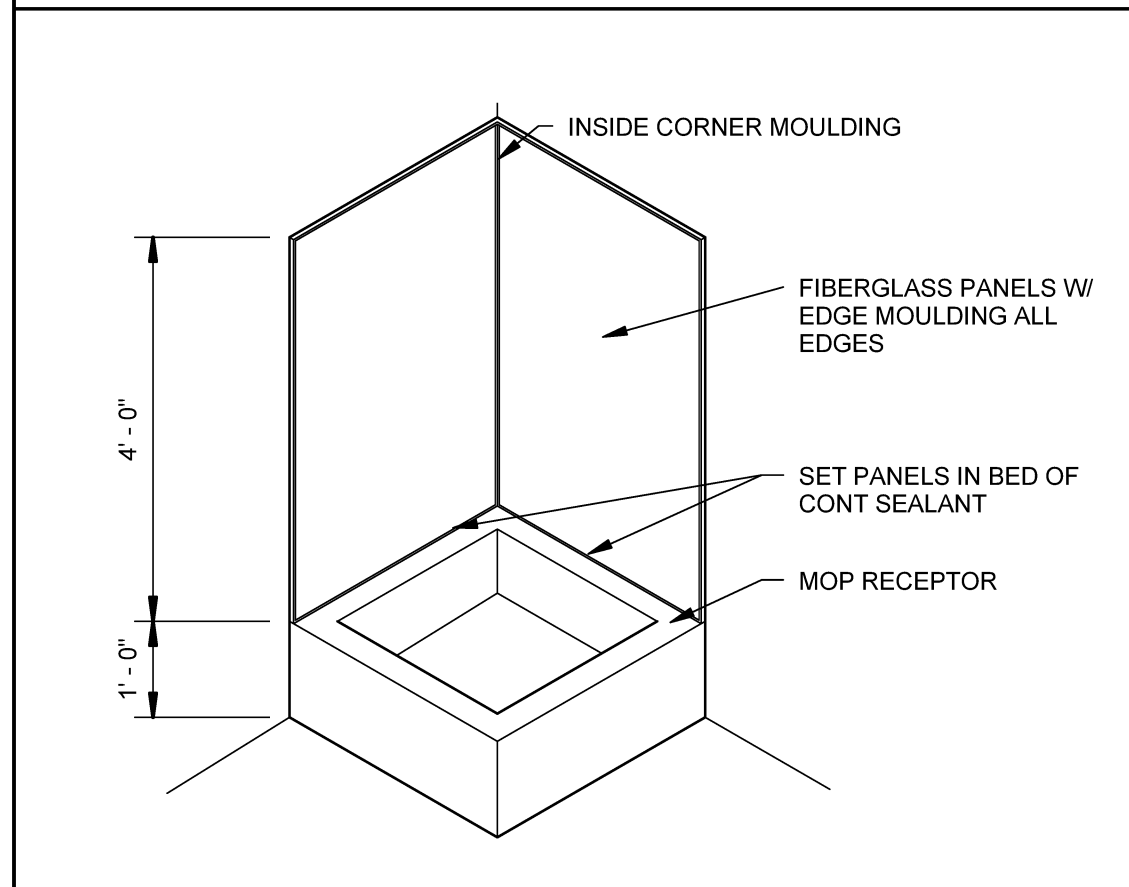
D4 HEAD DETAIL AT DOOR 127A SCALE: 1/12" = 1'-0"



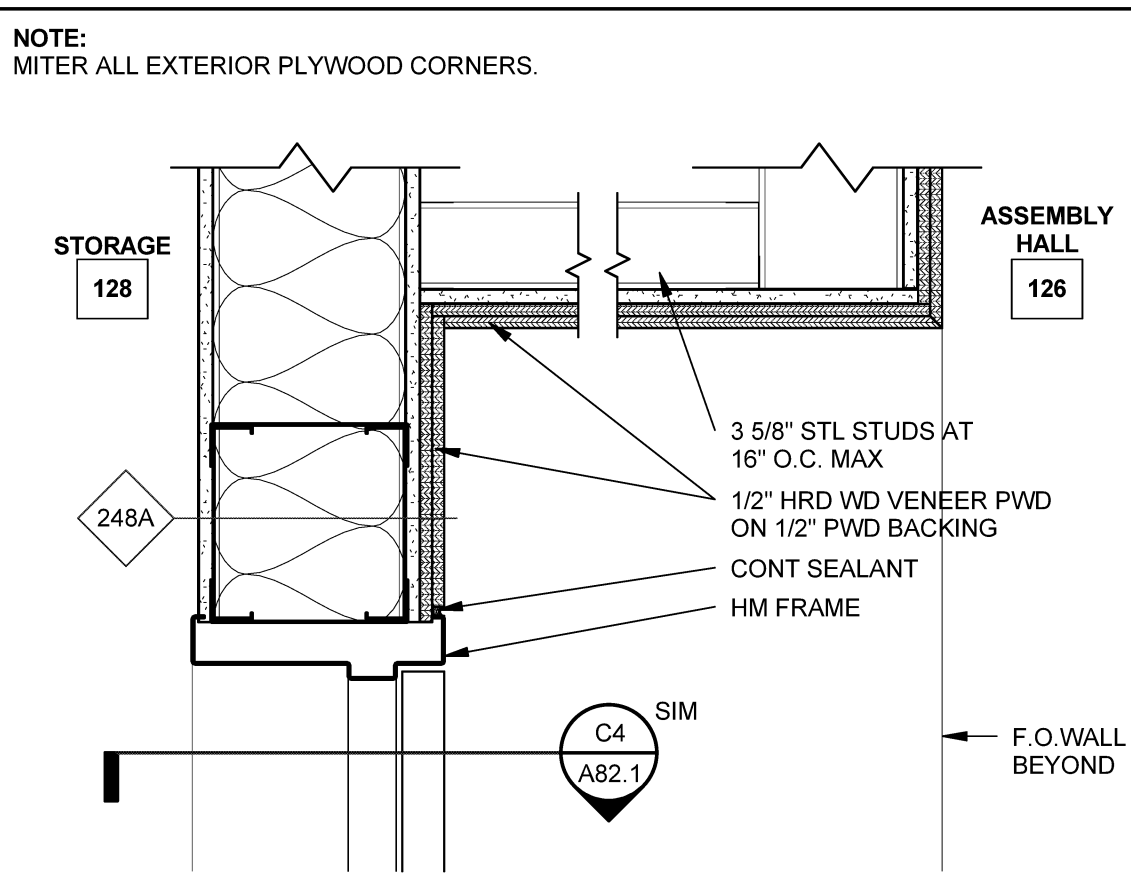
D5 HEAD DETAIL AT DOOR 104A SCALE: 1/12" = 1'-0"



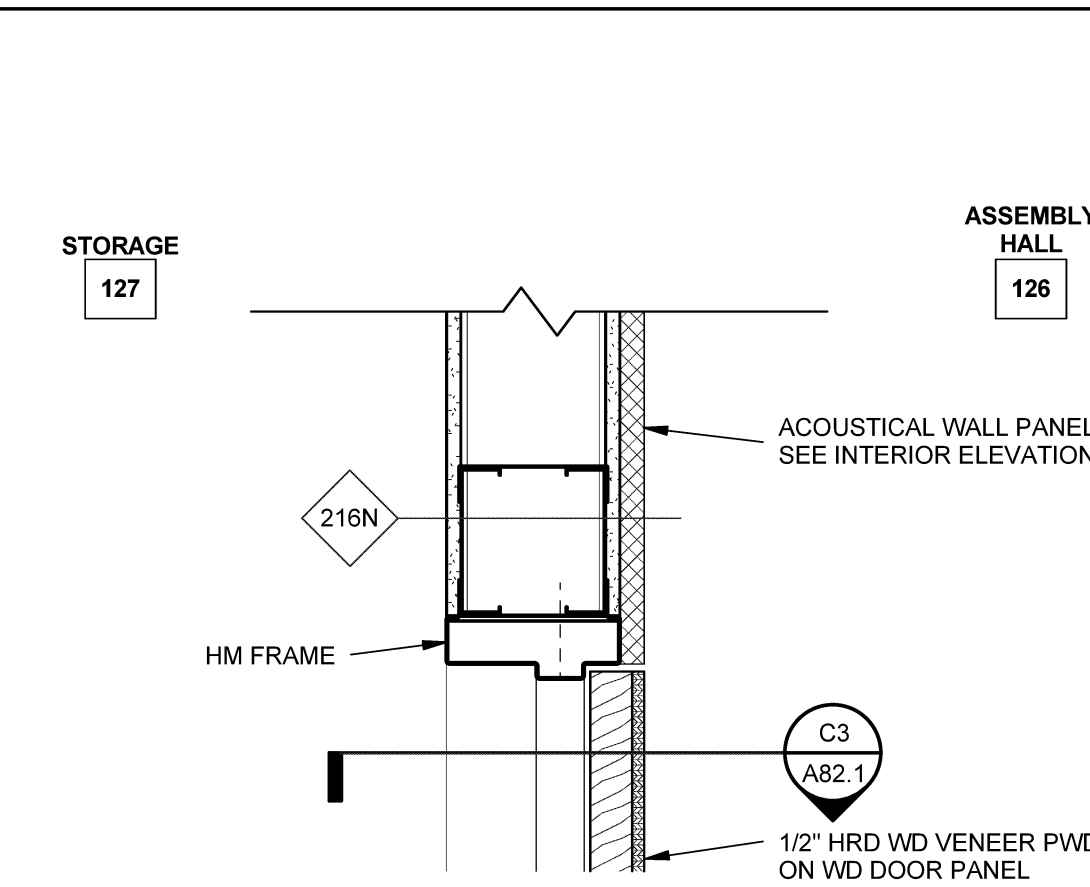
D6 HEAD DETAIL AT DOOR 126B SCALE: 1/12" = 1'-0"



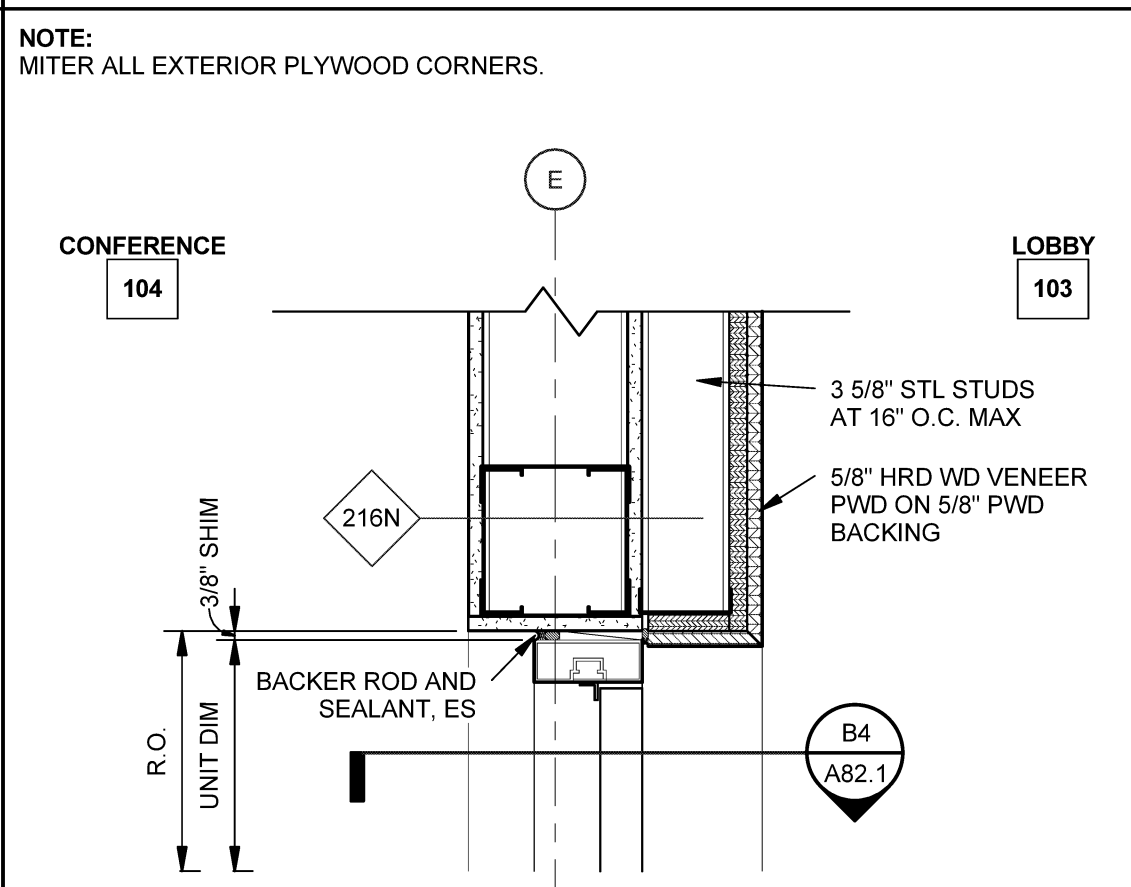
D2 TYPICAL MOP RECEPTOR PANEL DETAIL SCALE: 1/2" = 1'-0"



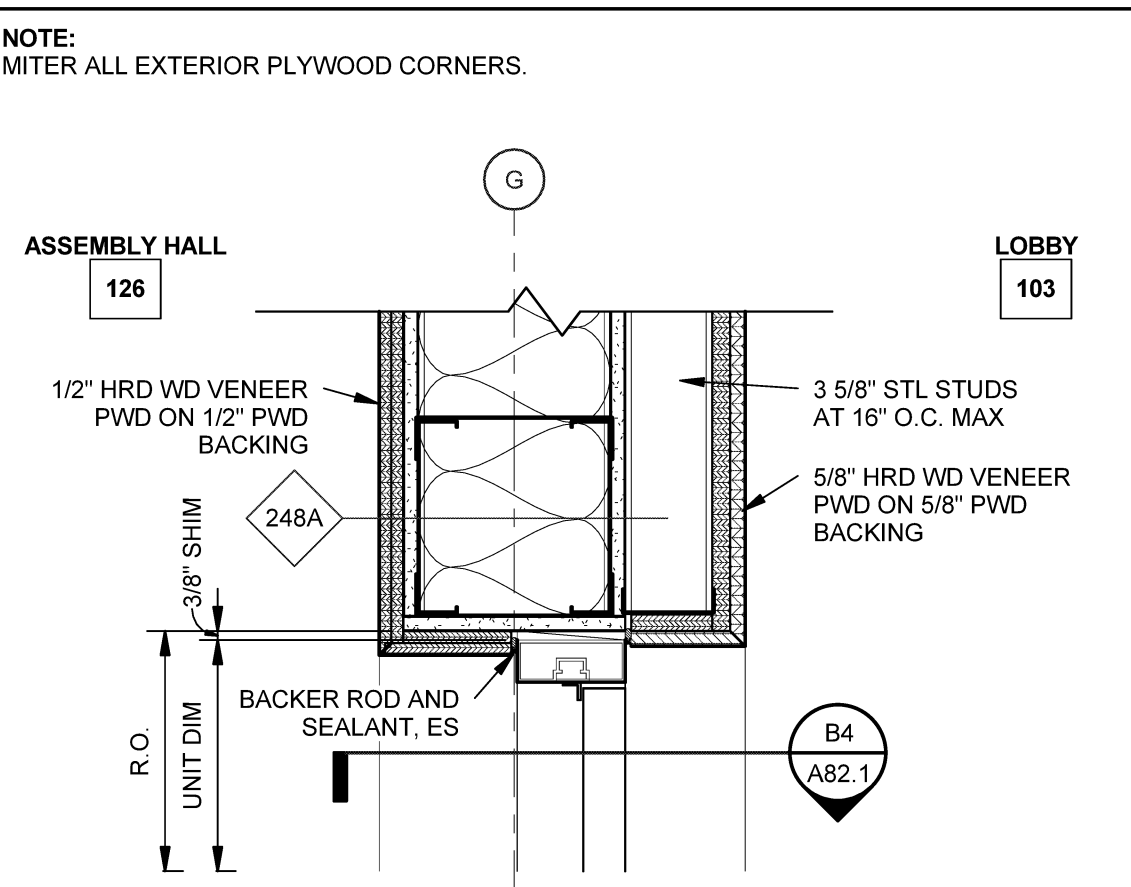
D3 HEAD DETAIL AT DOOR 128A SCALE: 1/12" = 1'-0"



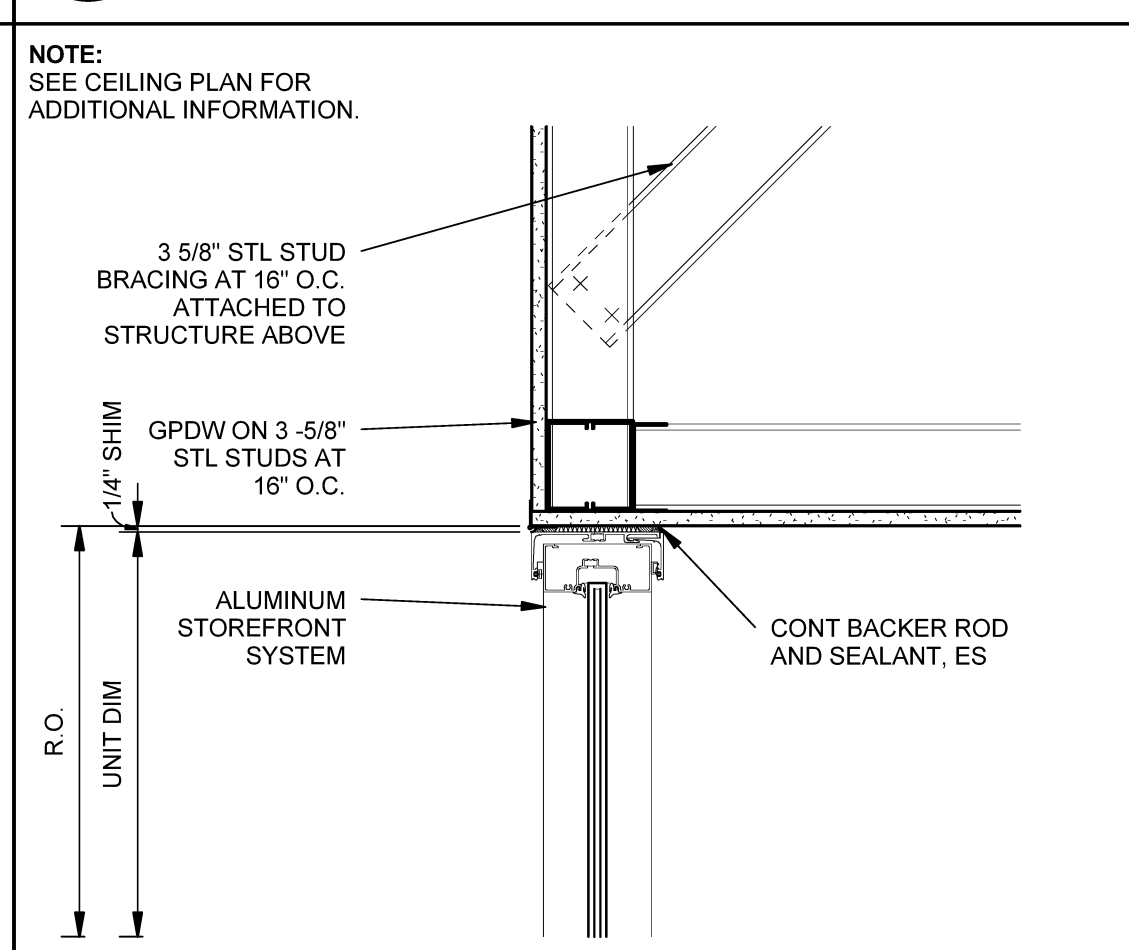
D4 HEAD DETAIL AT DOOR 127A SCALE: 1/12" = 1'-0"



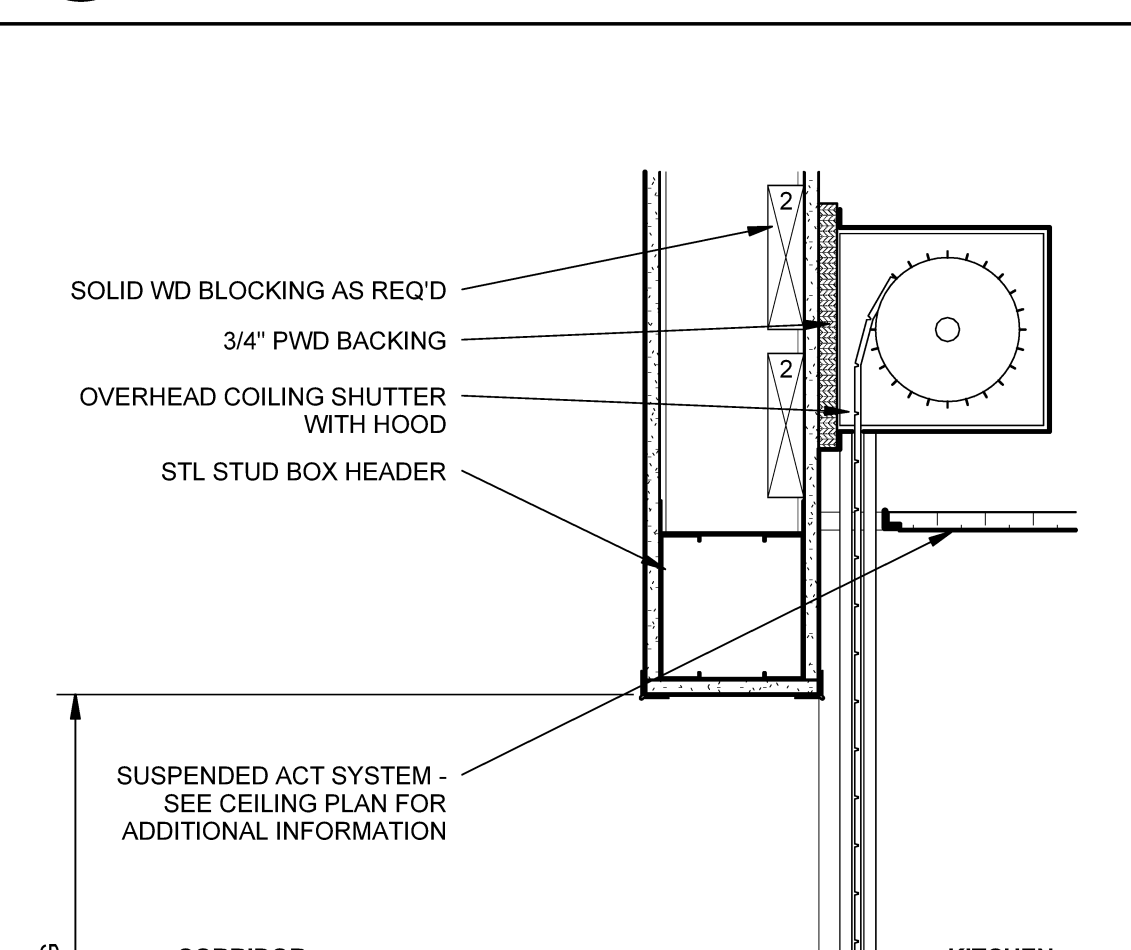
D5 HEAD DETAIL AT DOOR 104A SCALE: 1/12" = 1'-0"



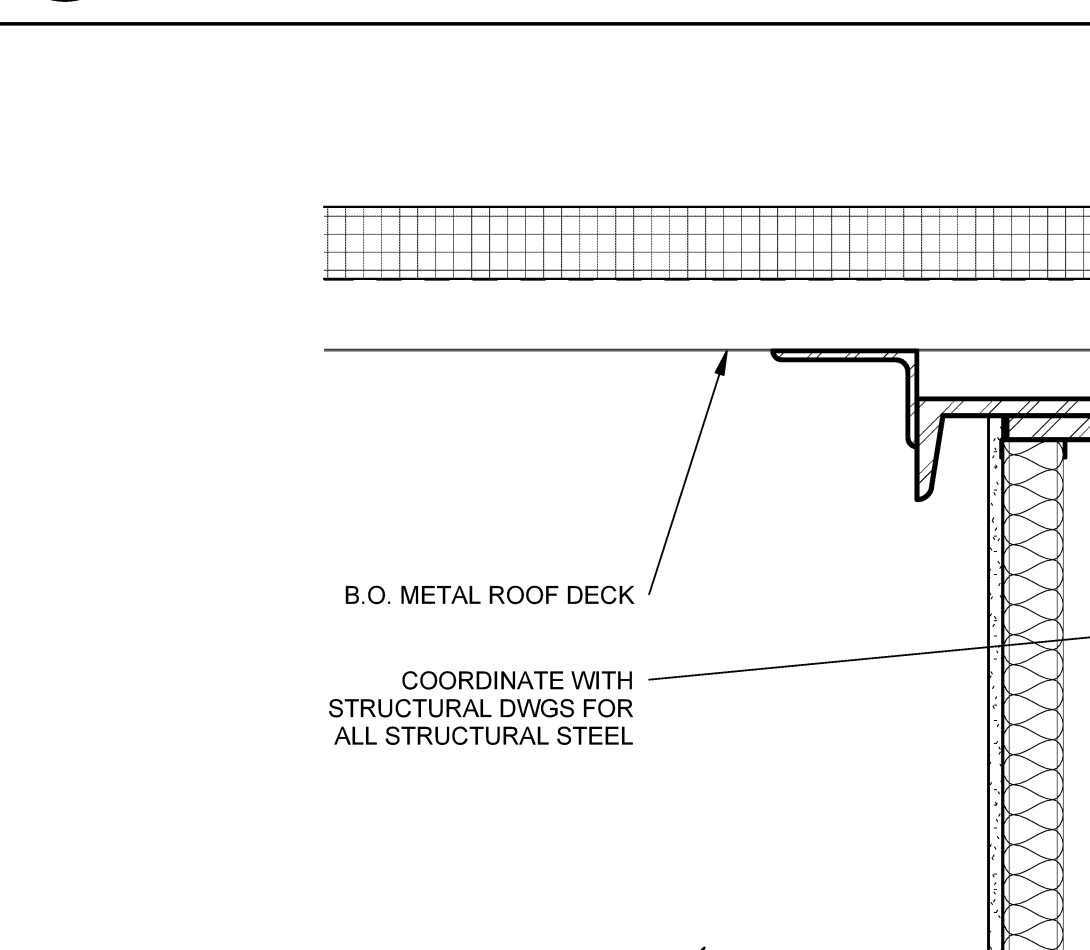
D6 HEAD DETAIL AT DOOR 126B SCALE: 1/12" = 1'-0"



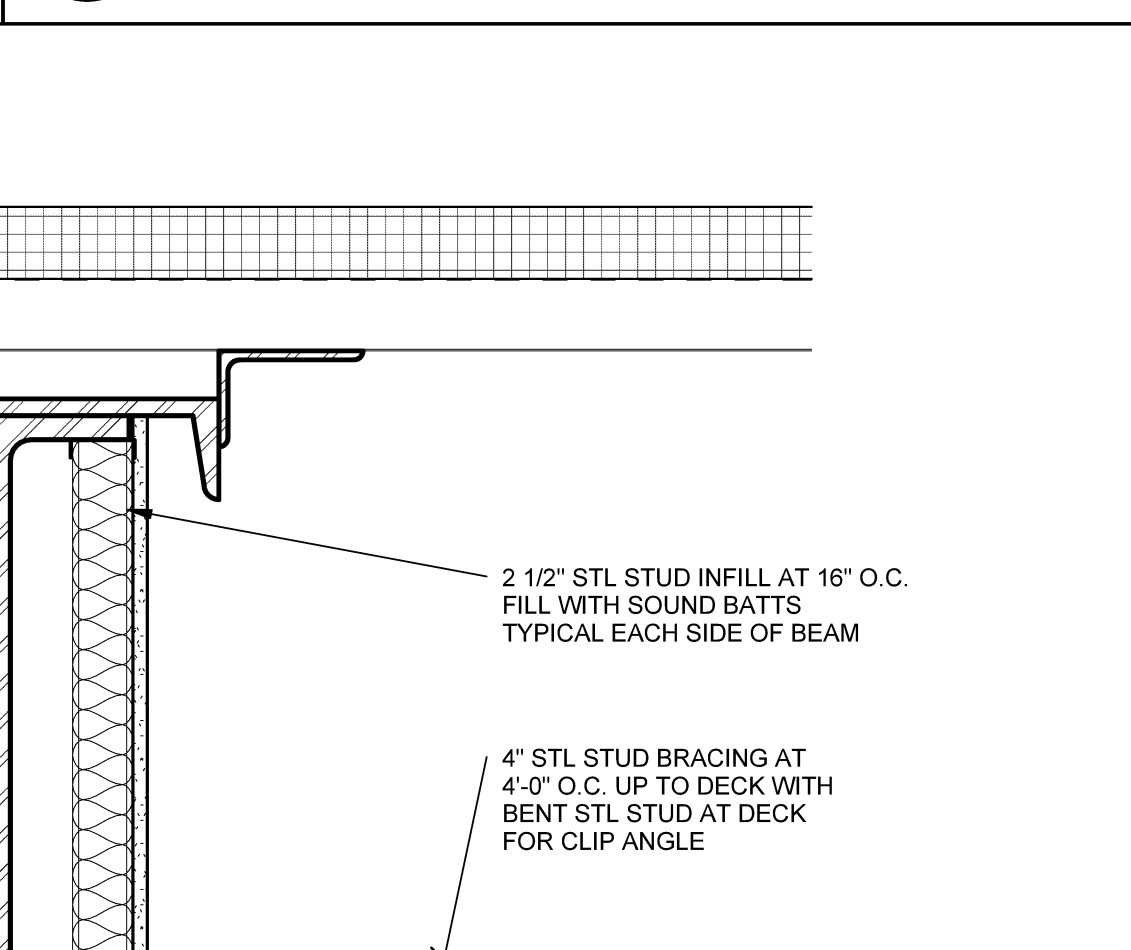
C2 SOFFIT DETAIL AT VESTIBULE 102 SCALE: 1/12" = 1'-0"



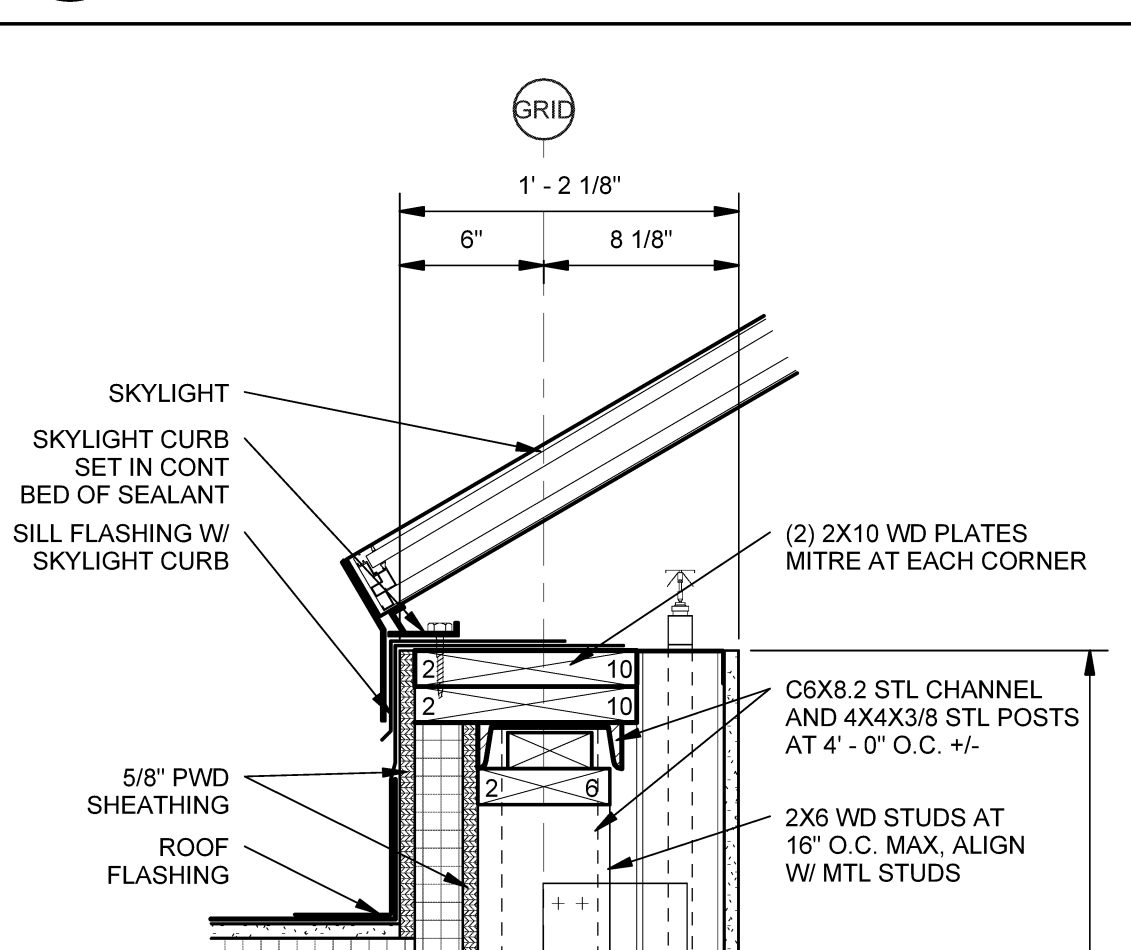
B3 COUNTER SHUTTER SECTION DETAIL SCALE: 1/12" = 1'-0"



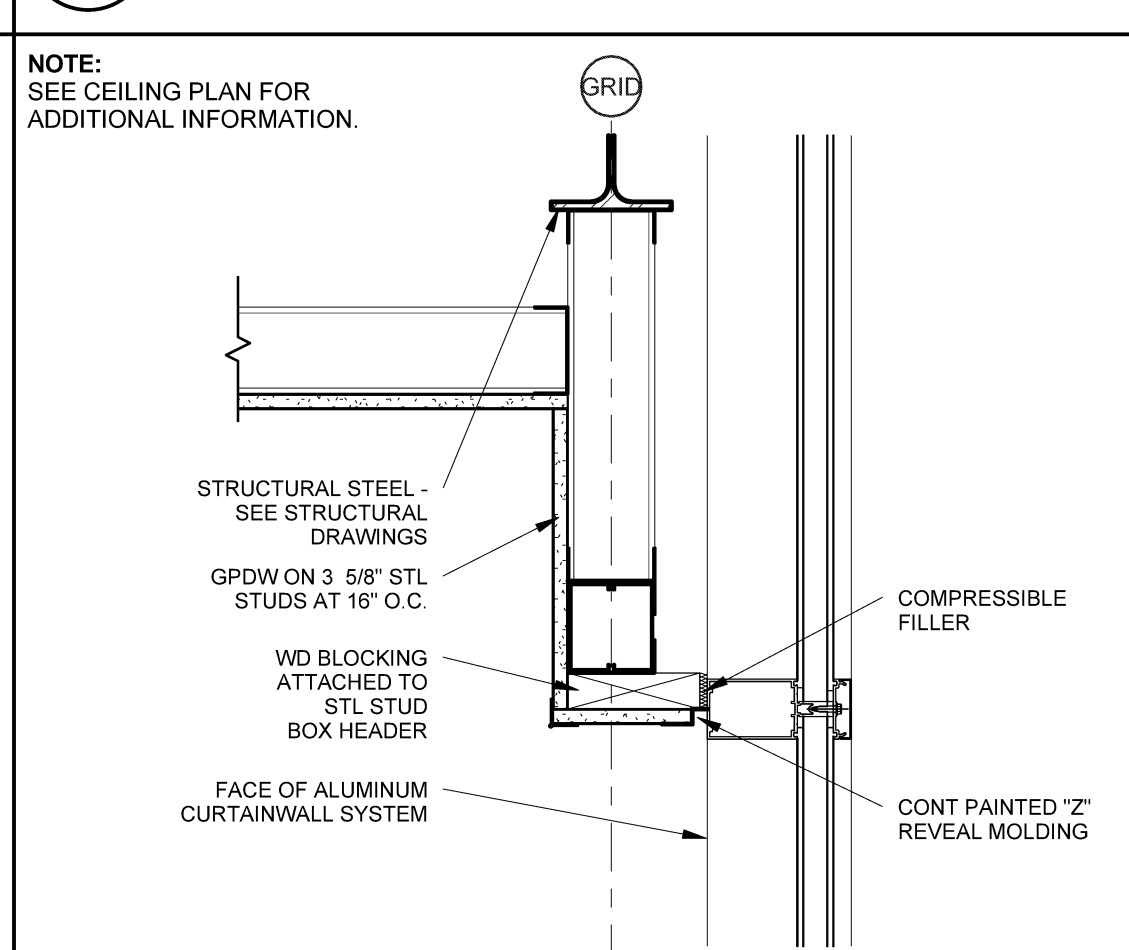
B4 FOLDING PARTITION DETAIL SCALE: 1/12" = 1'-0"



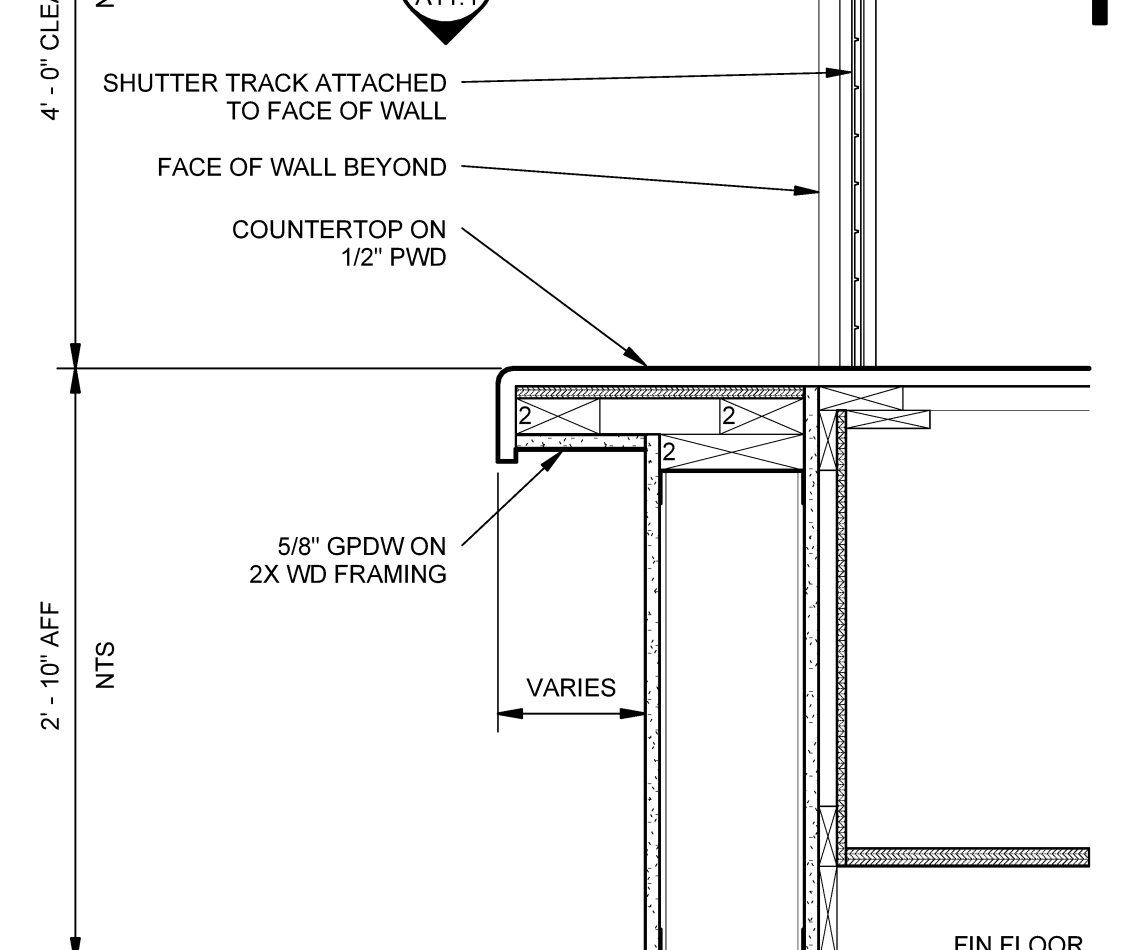
B5 SOFFIT DETAIL AT WD CEILING SYSTEM SCALE: 1/12" = 1'-0"



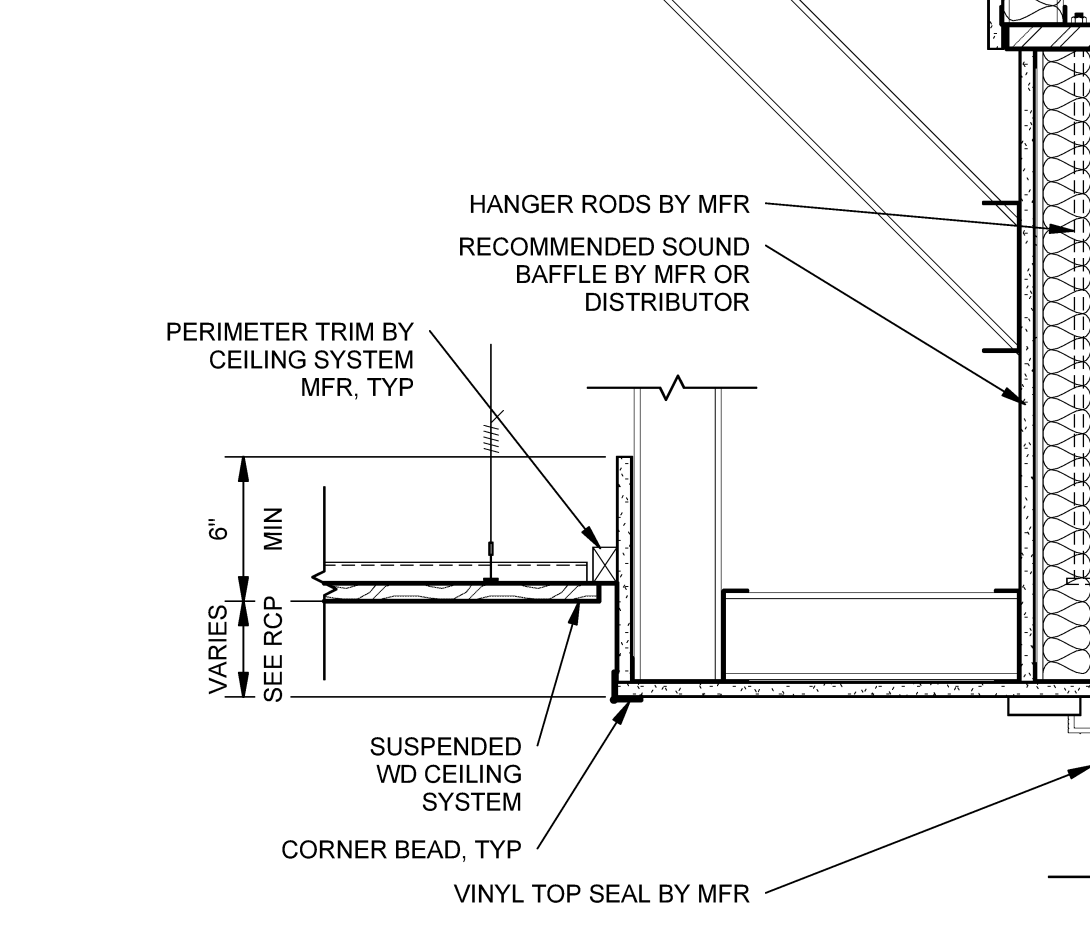
B6 SOFFIT DETAIL AT SKYLIGHT SCALE: 1/12" = 1'-0"



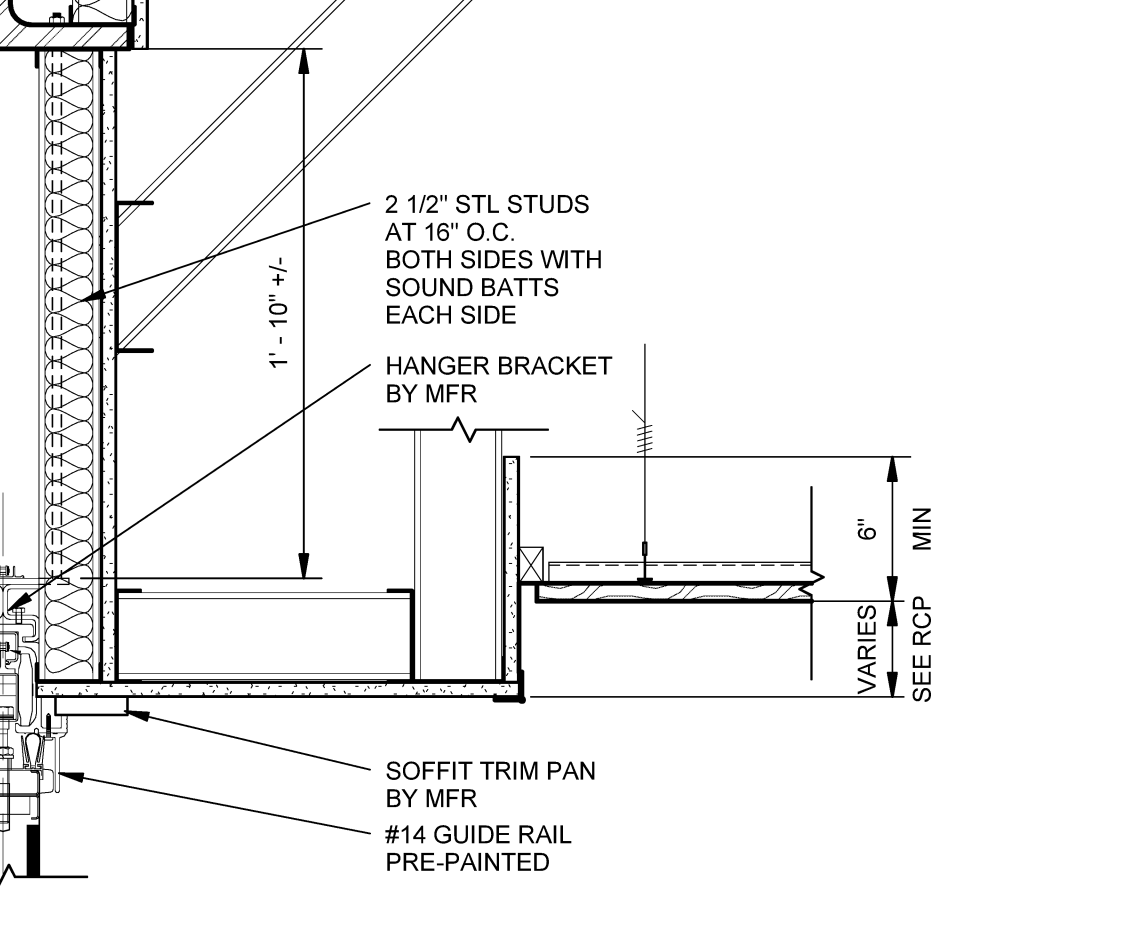
B2 SOFFIT DETAIL AT CURTAINWALL SCALE: 1/12" = 1'-0"



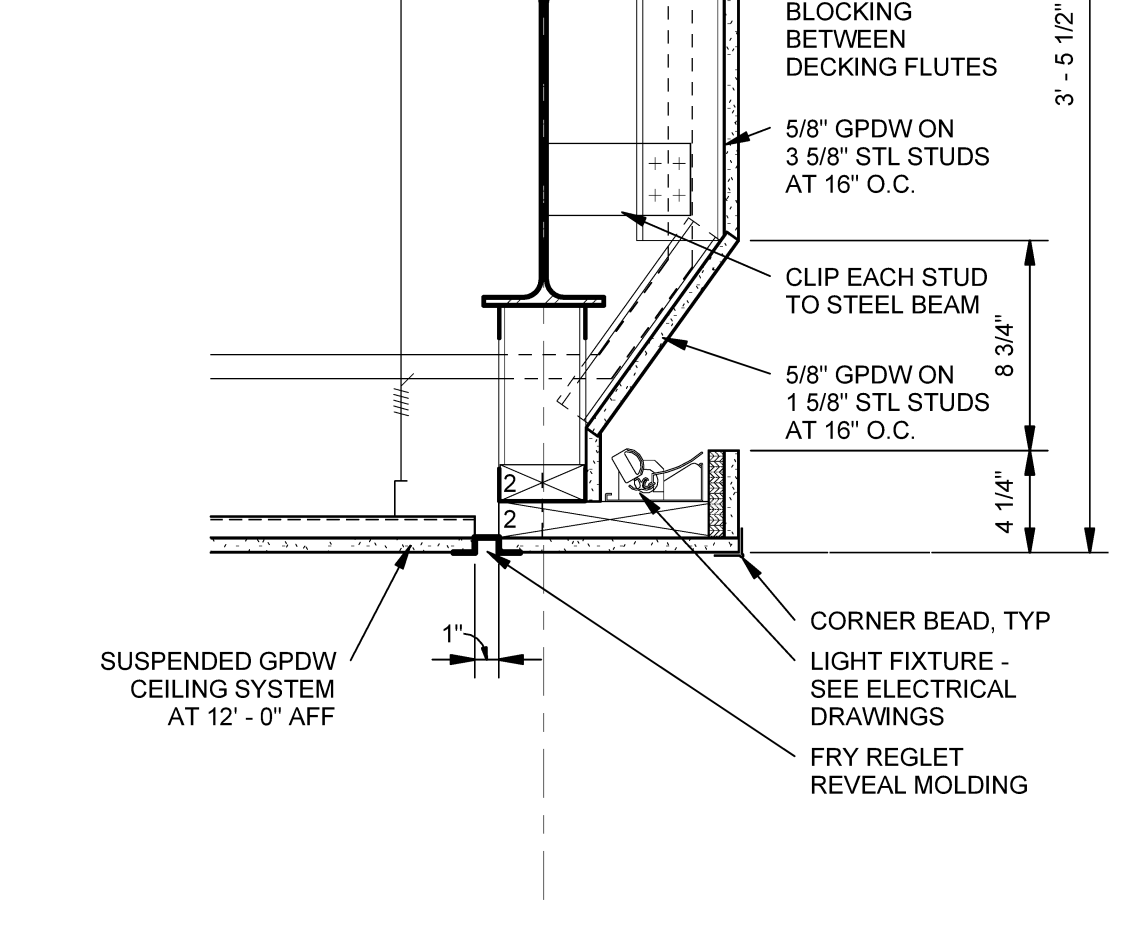
B3 COUNTER SHUTTER SECTION DETAIL SCALE: 1/12" = 1'-0"



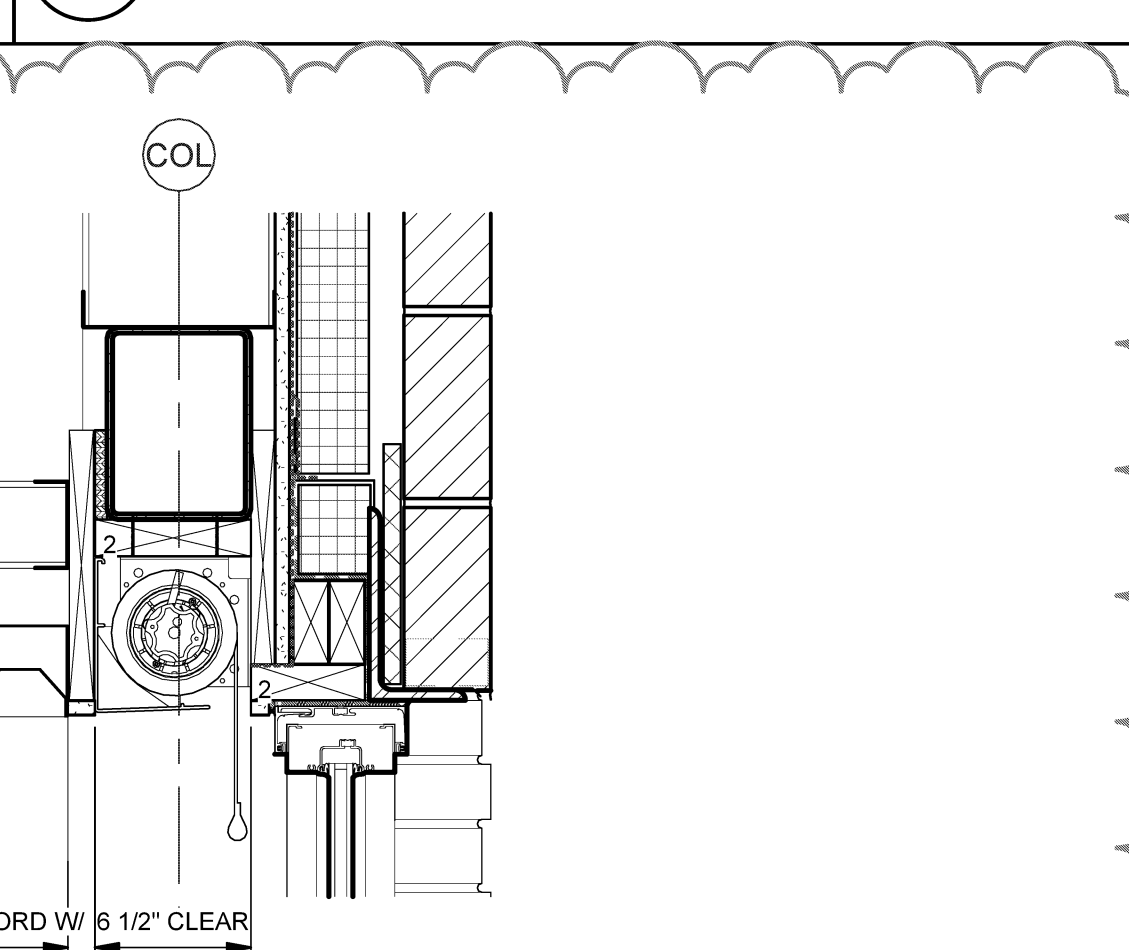
B4 FOLDING PARTITION DETAIL SCALE: 1/12" = 1'-0"



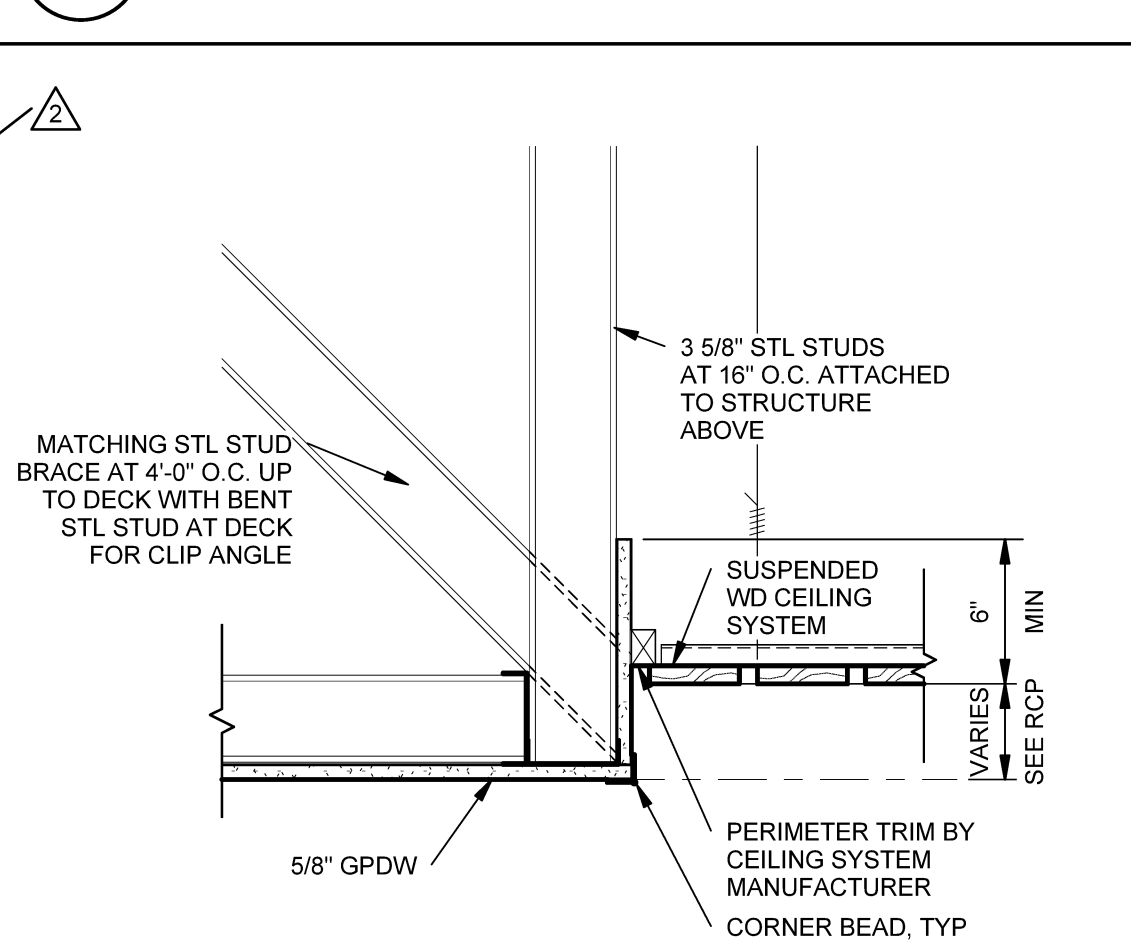
B5 SOFFIT DETAIL AT WD CEILING SYSTEM SCALE: 1/12" = 1'-0"



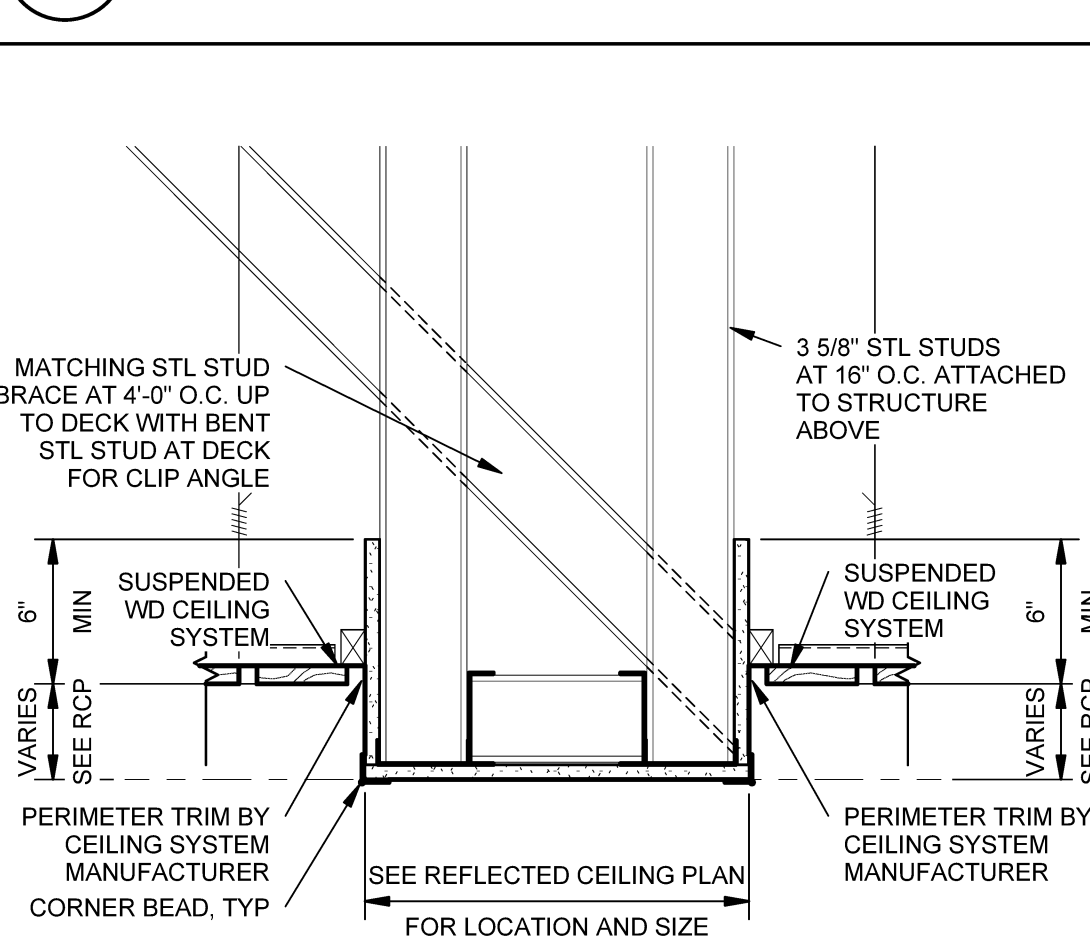
B6 SOFFIT DETAIL AT SKYLIGHT SCALE: 1/12" = 1'-0"



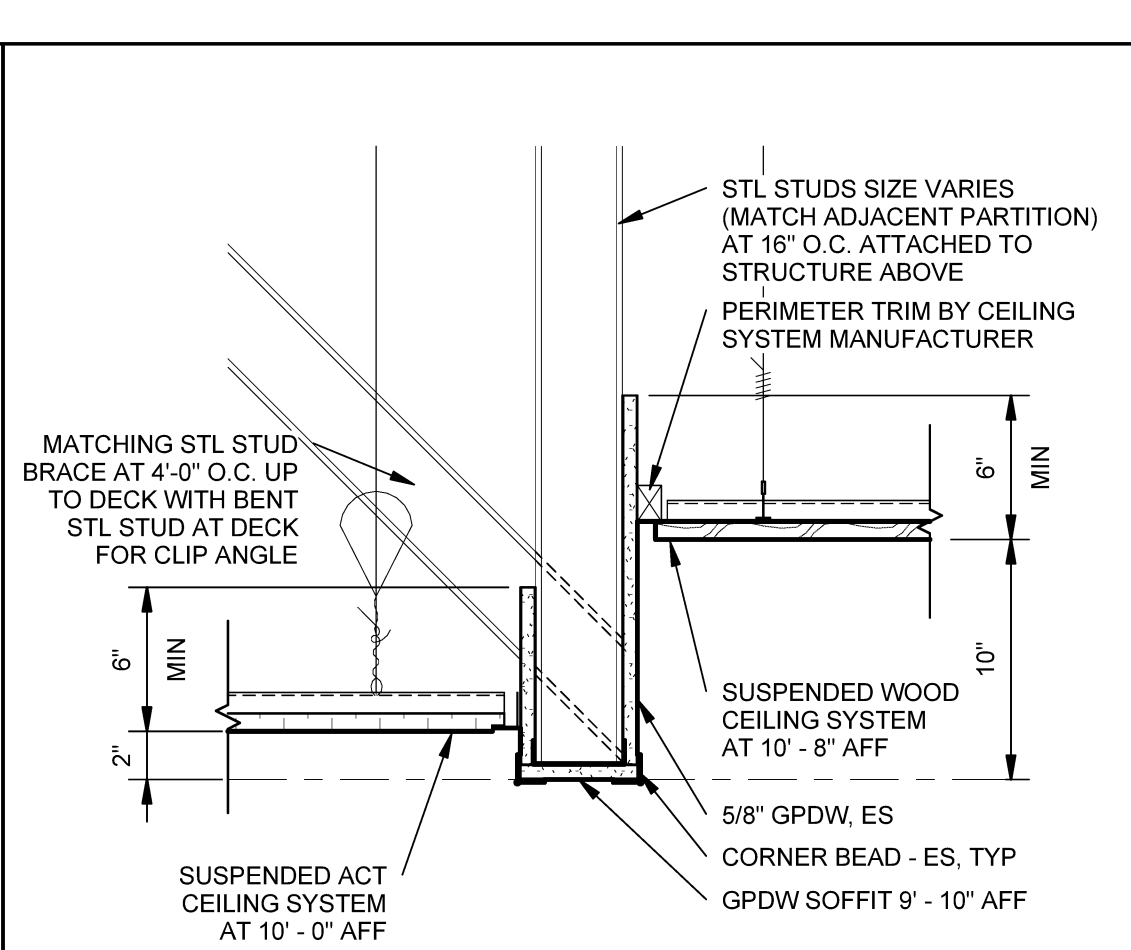
A1 PROJECTION SCREEN POCKET DETAIL SCALE: 1/12" = 1'-0"



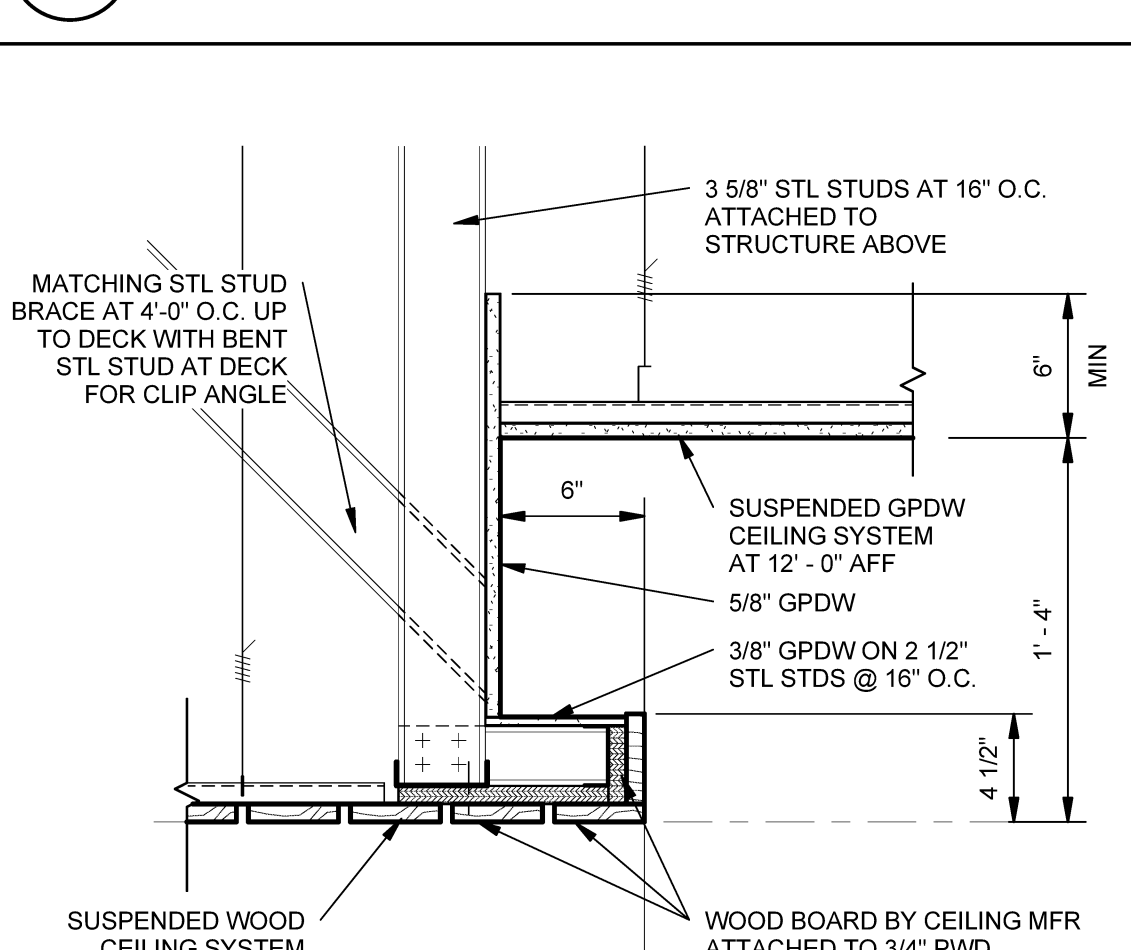
A3 SOFFIT DETAIL AT WD CEILING SYSTEM SCALE: 1/12" = 1'-0"



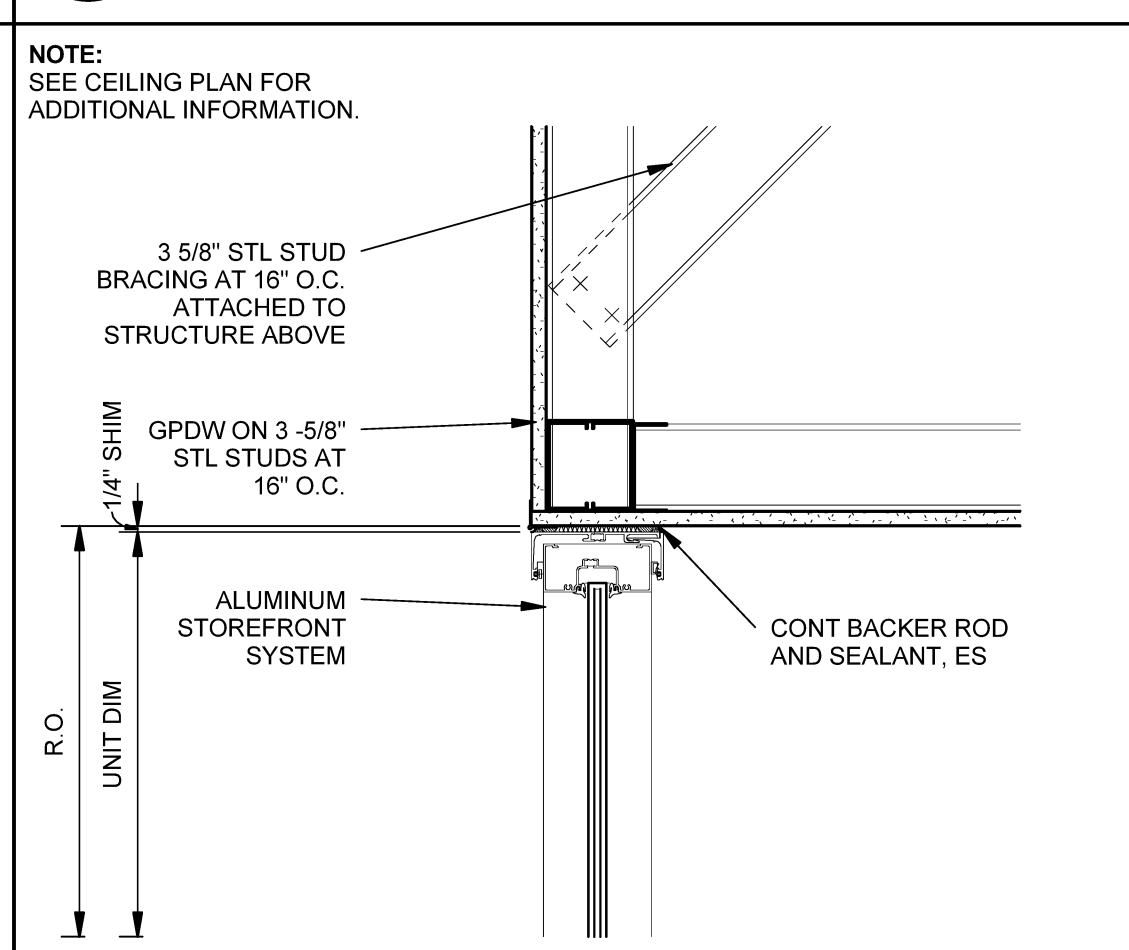
A4 SOFFIT DETAIL AT WD CEILING SYSTEM SCALE: 1/12" = 1'-0"



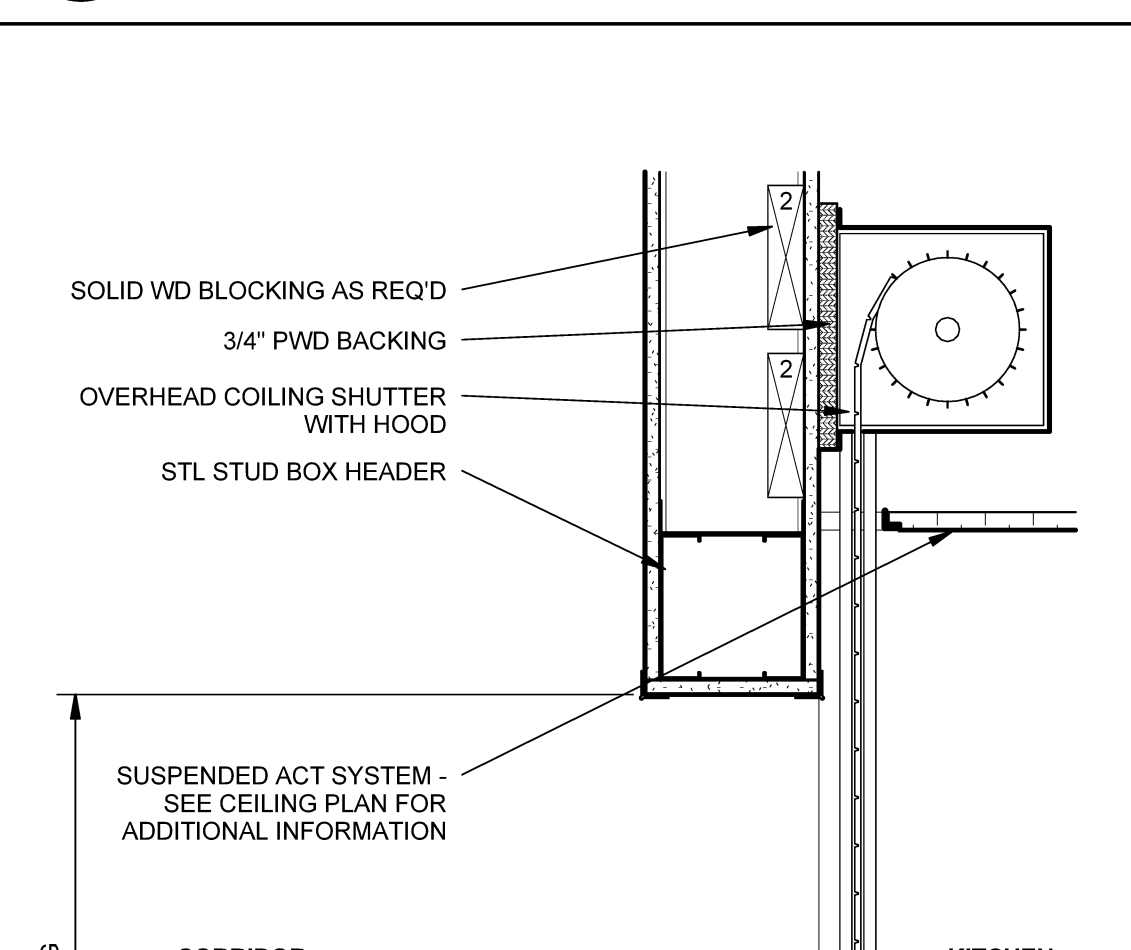
A5 SOFFIT DETAIL AT WD CEILING SYSTEM SCALE: 1/12" = 1'-0"



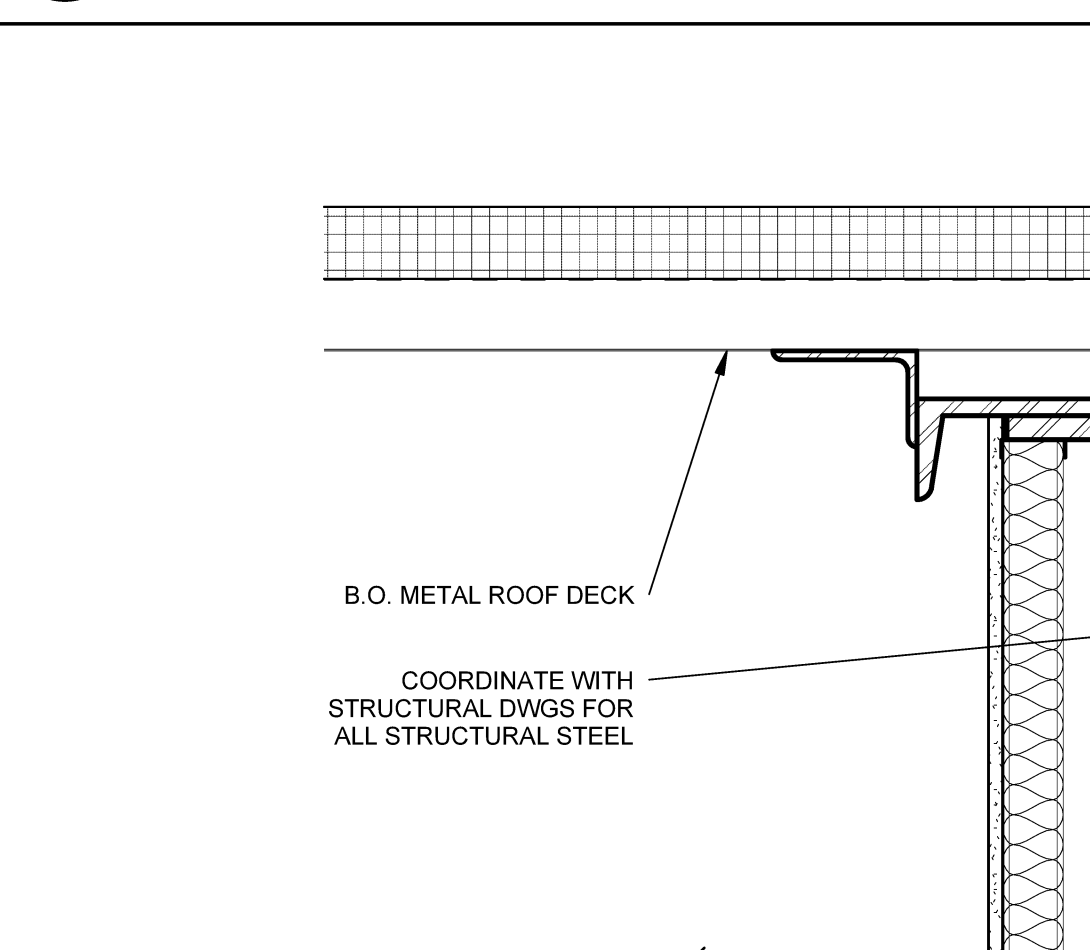
A6 SOFFIT DETAIL AT RECEPTION SCALE: 1/12" = 1'-0"



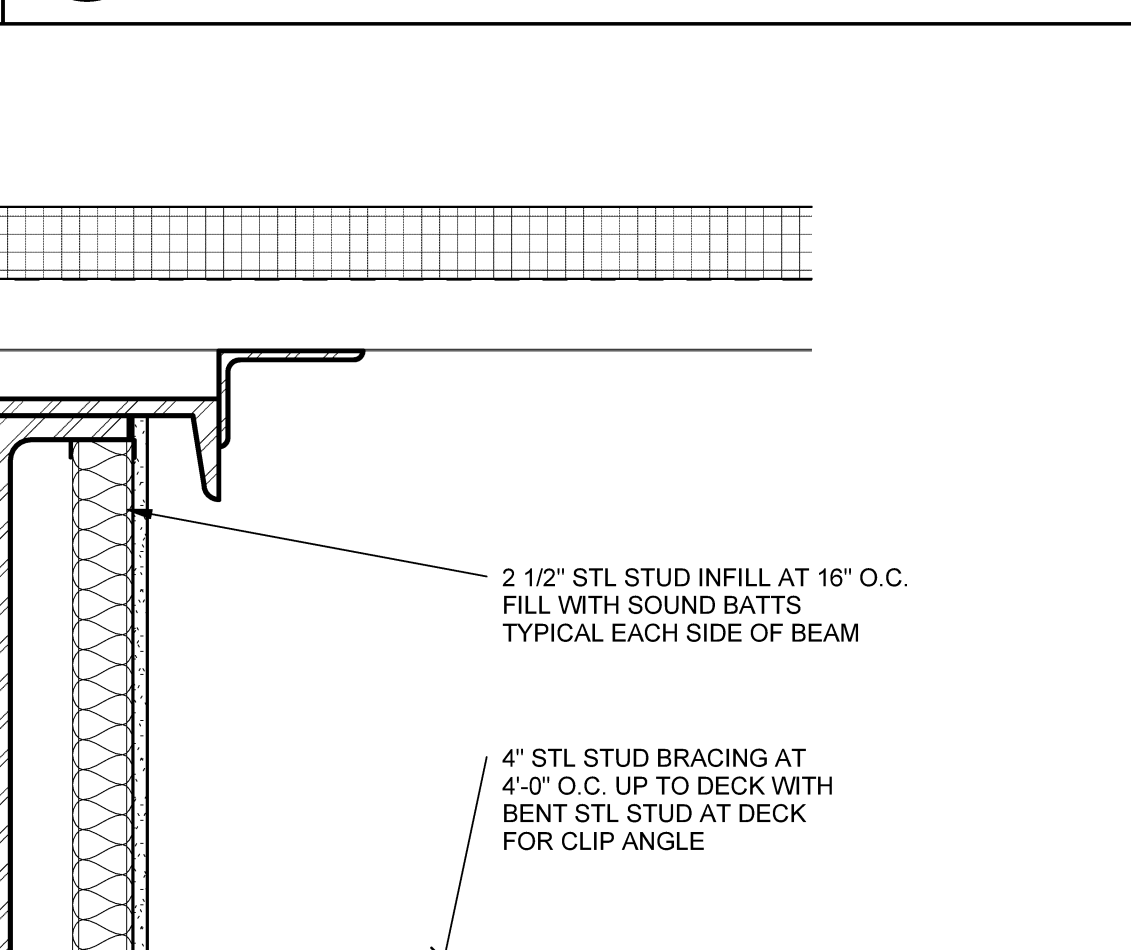
C2 SOFFIT DETAIL AT VESTIBULE 102 SCALE: 1/12" = 1'-0"



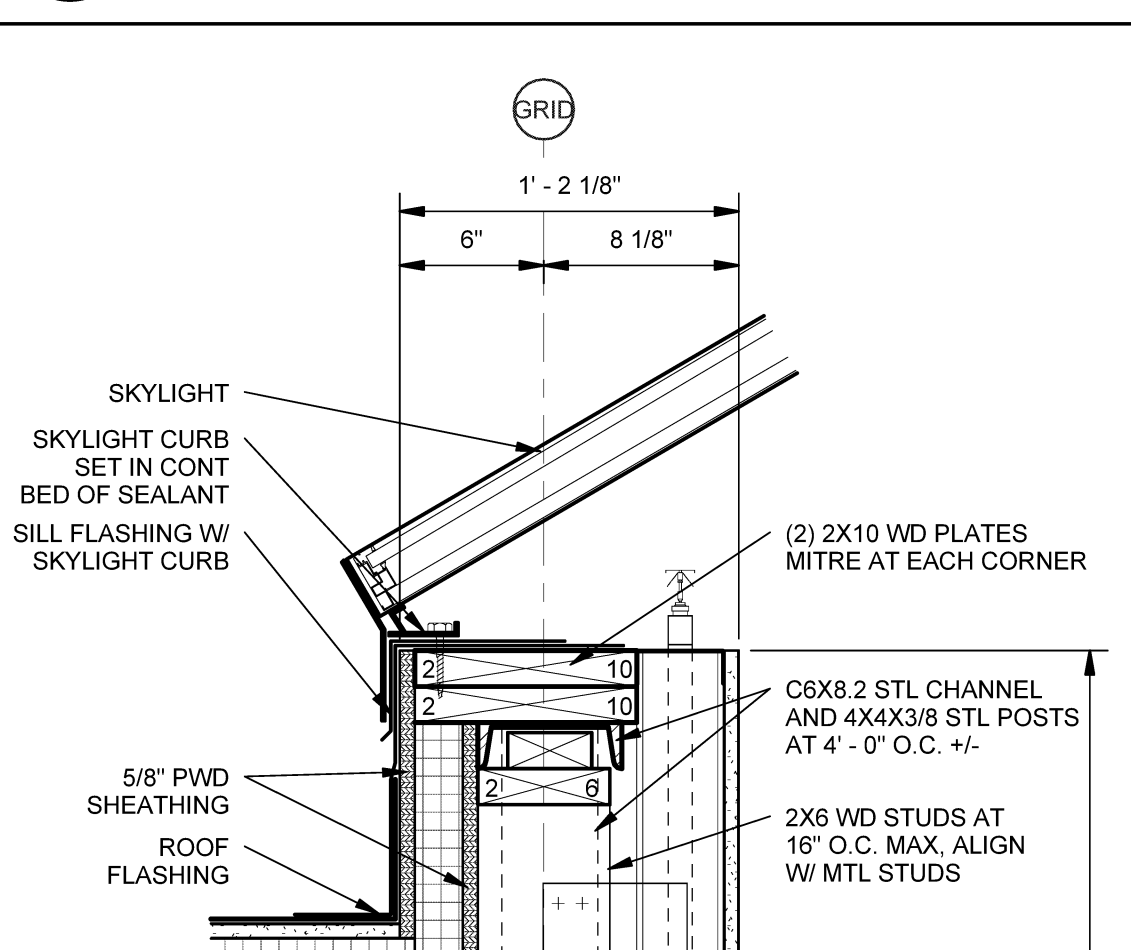
B3 COUNTER SHUTTER SECTION DETAIL SCALE: 1/12" = 1'-0"



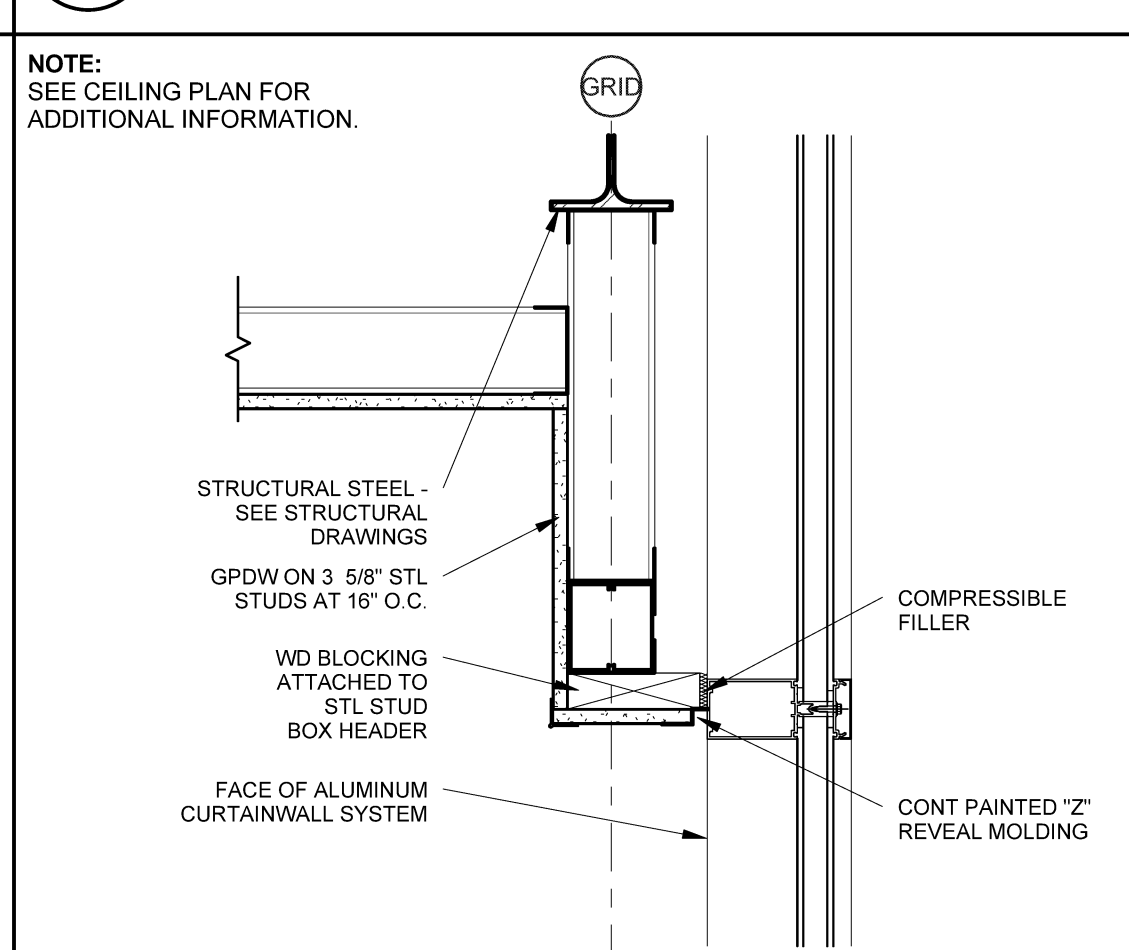
B4 FOLDING PARTITION DETAIL SCALE: 1/12" = 1'-0"



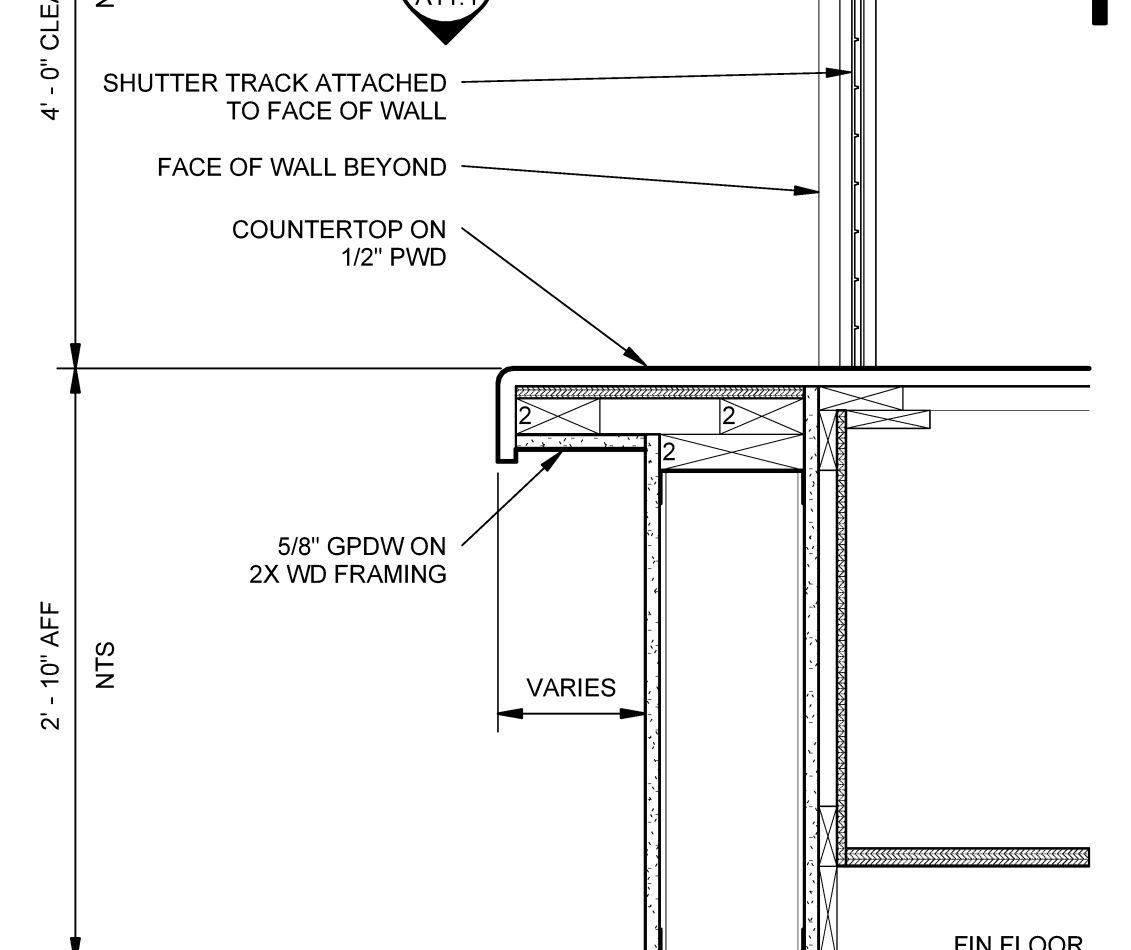
B5 SOFFIT DETAIL AT WD CEILING SYSTEM SCALE: 1/12" = 1'-0"



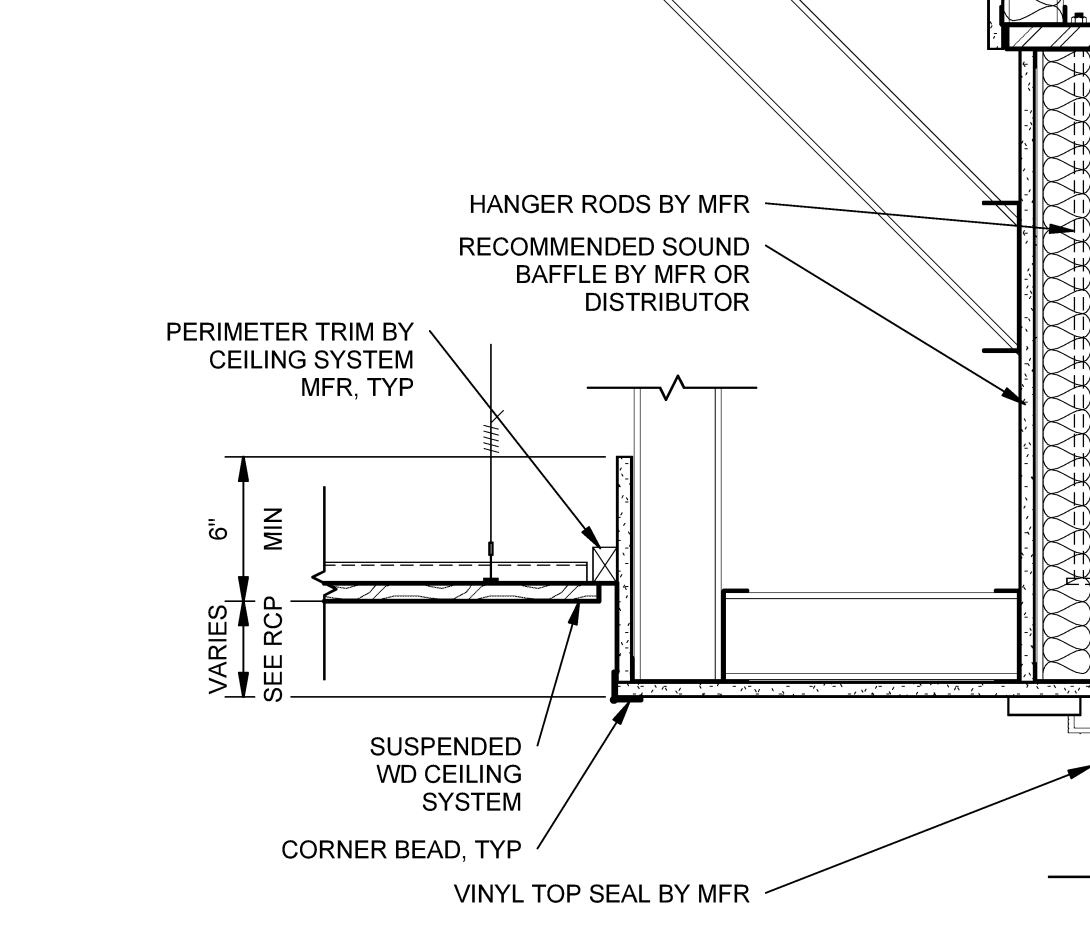
B6 SOFFIT DETAIL AT SKYLIGHT SCALE: 1/12" = 1'-0"



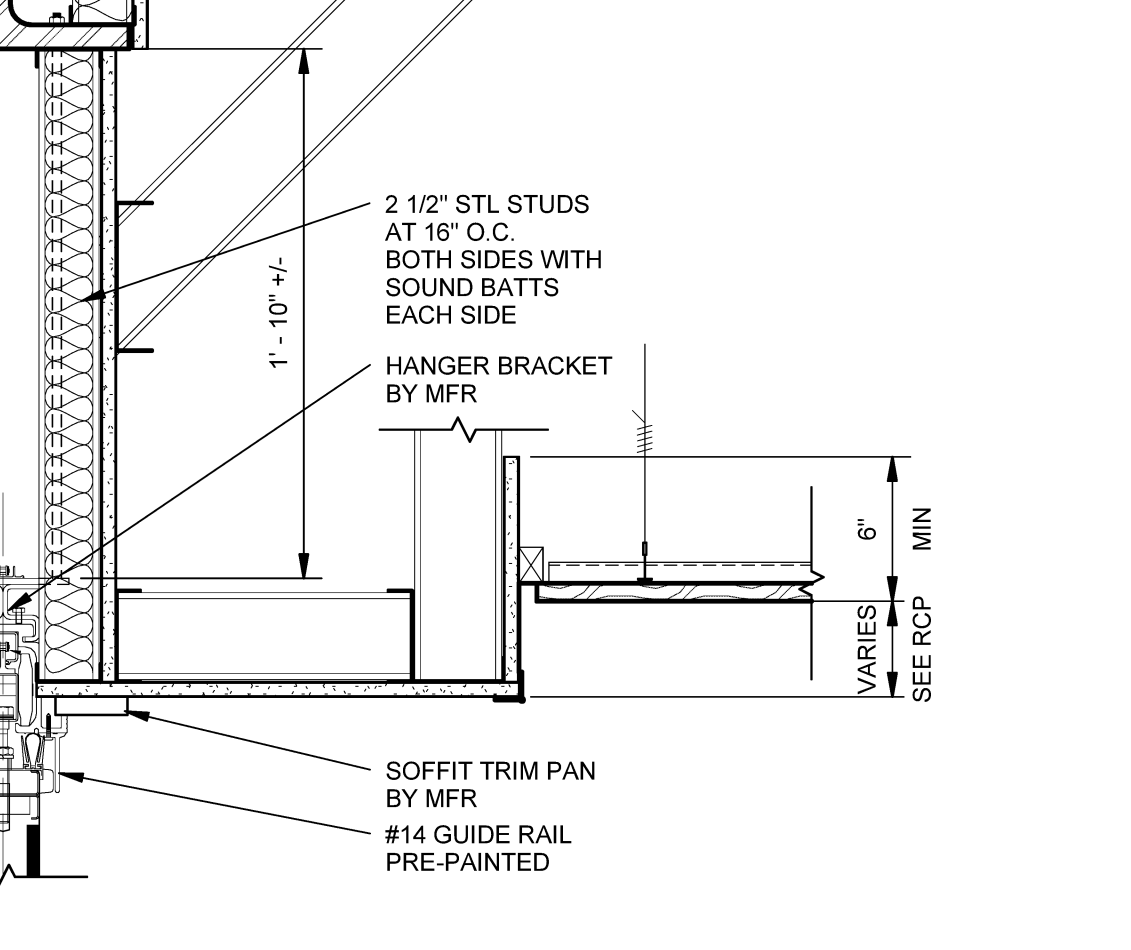
B2 SOFFIT DETAIL AT CURTAINWALL SCALE: 1/12" = 1'-0"



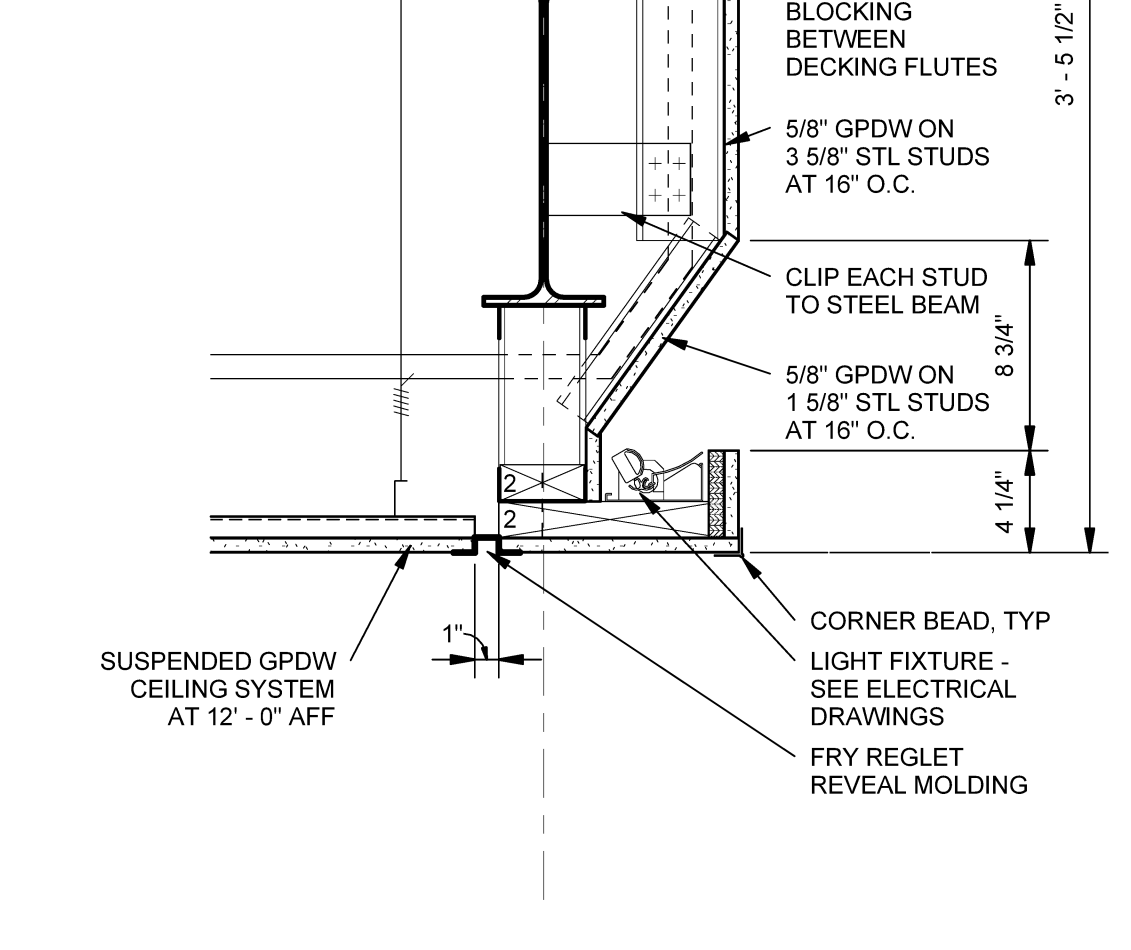
B3 COUNTER SHUTTER SECTION DETAIL SCALE: 1/12" = 1'-0"



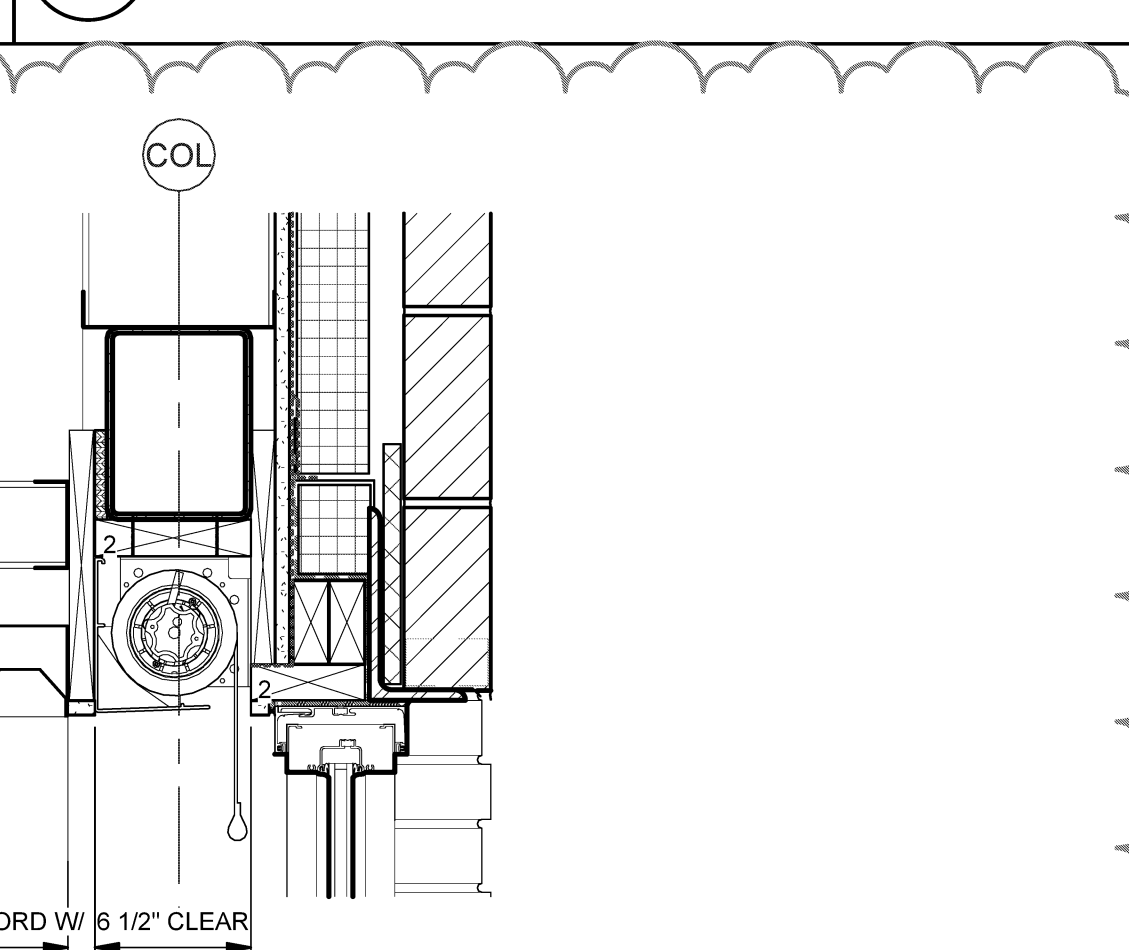
B4 FOLDING PARTITION DETAIL SCALE: 1/12" = 1'-0"



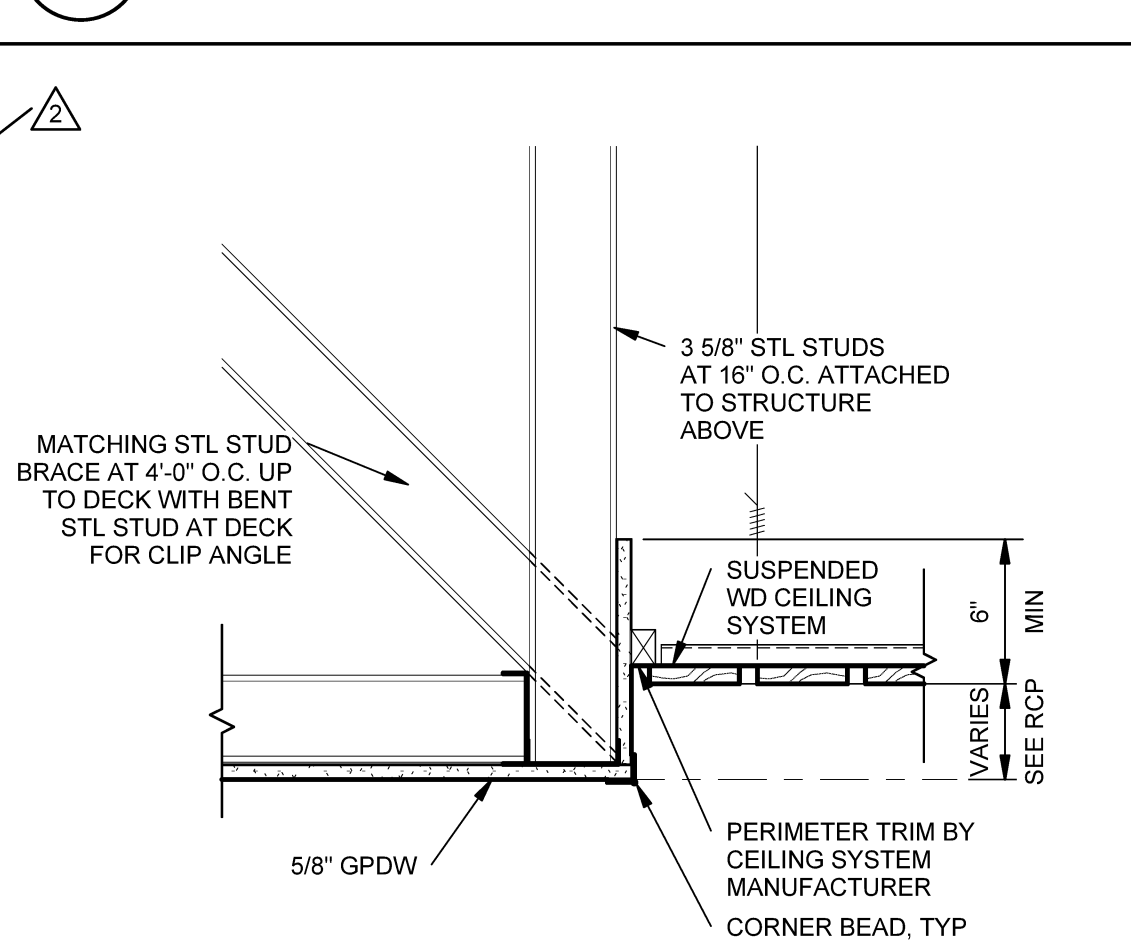
B5 SOFFIT DETAIL AT WD CEILING SYSTEM SCALE: 1/12" = 1'-0"



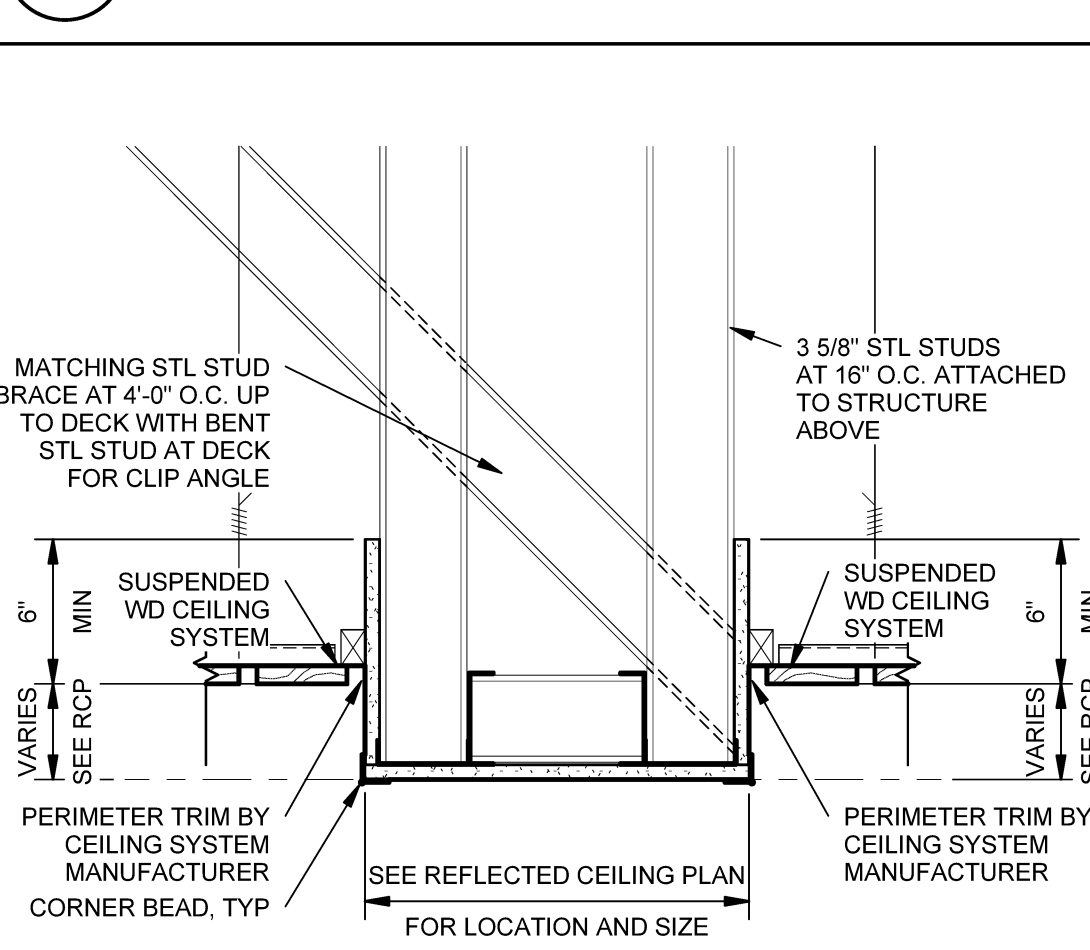
B6 SOFFIT DETAIL AT SKYLIGHT SCALE: 1/12" = 1'-0"



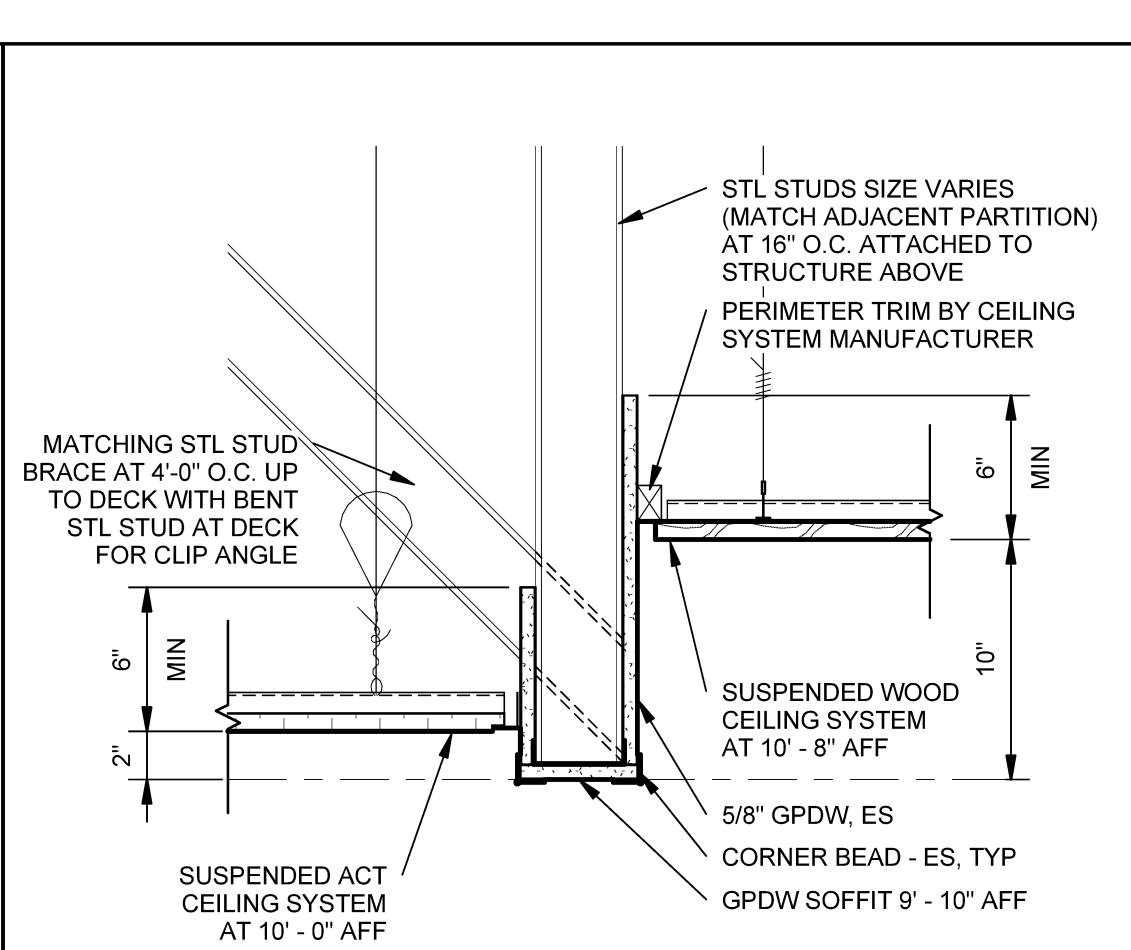
A1 PROJECTION SCREEN POCKET DETAIL SCALE: 1/12" = 1'-0"



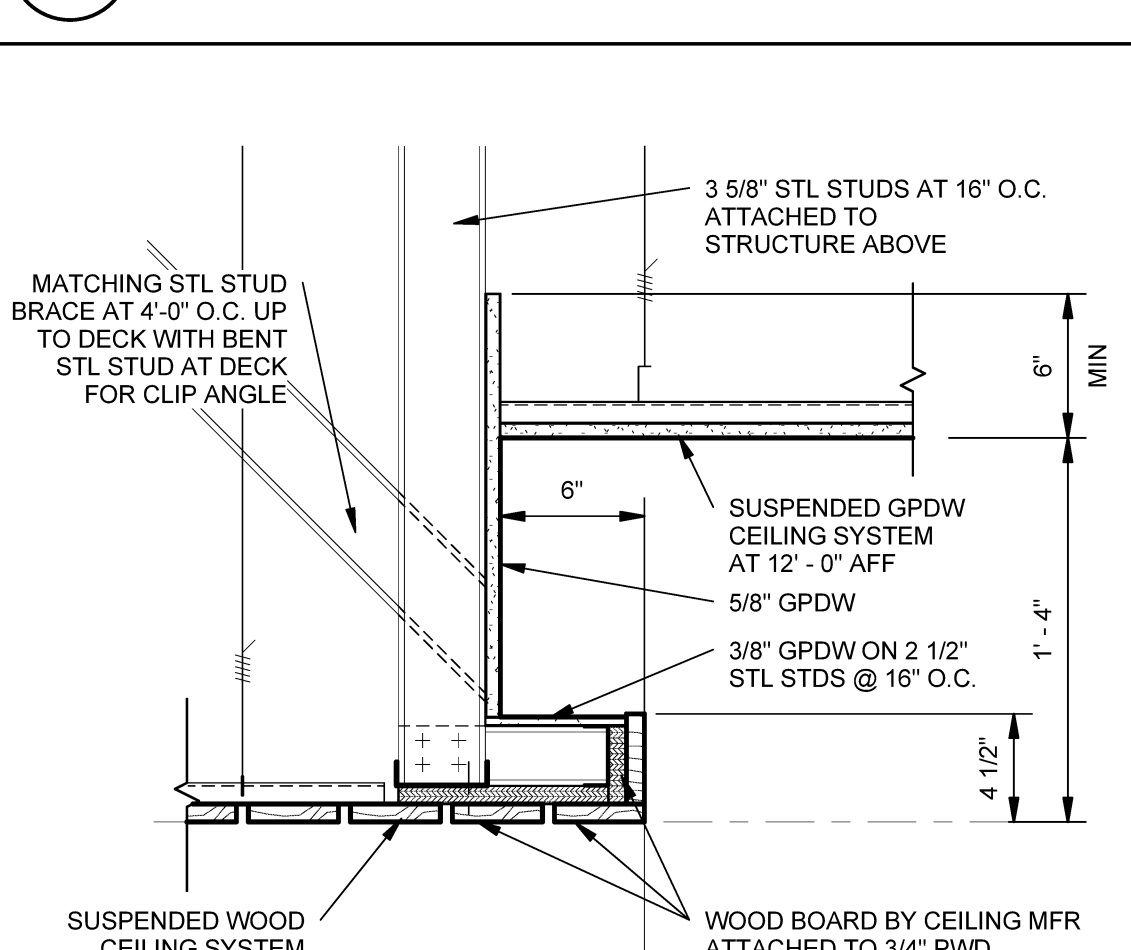
A3 SOFFIT DETAIL AT WD CEILING SYSTEM SCALE: 1/12" = 1'-0"



A4 SOFFIT DETAIL AT WD CEILING SYSTEM SCALE: 1/12" = 1'-0"

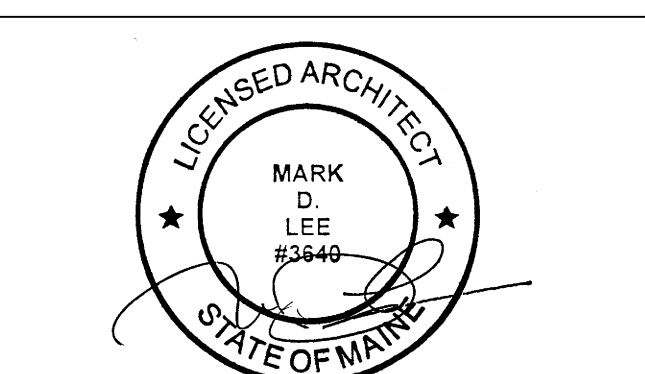


A5 SOFFIT DETAIL AT WD CEILING SYSTEM SCALE: 1/12" = 1'-0"



A6 SOFFIT DETAIL AT RECEPTION SCALE: 1/12" = 1'-0"

Mark	Date	Description
1	03-25-16	CONSTRUCTION DOCUMENTS
1	04-15-16	ADDENDUM #1
2	07-22-16	CONFORMANCE SET



Drawing Scale: As indicated

PA/PE: MDL © 2016 Harriman Associates

Drawn By: JAE

INTERIOR DETAILS

A82.2

Plot Date: 7/22/2016 2:02:28 PM