



HARRIMAN

AUBURN PORTLAND MANCHESTER

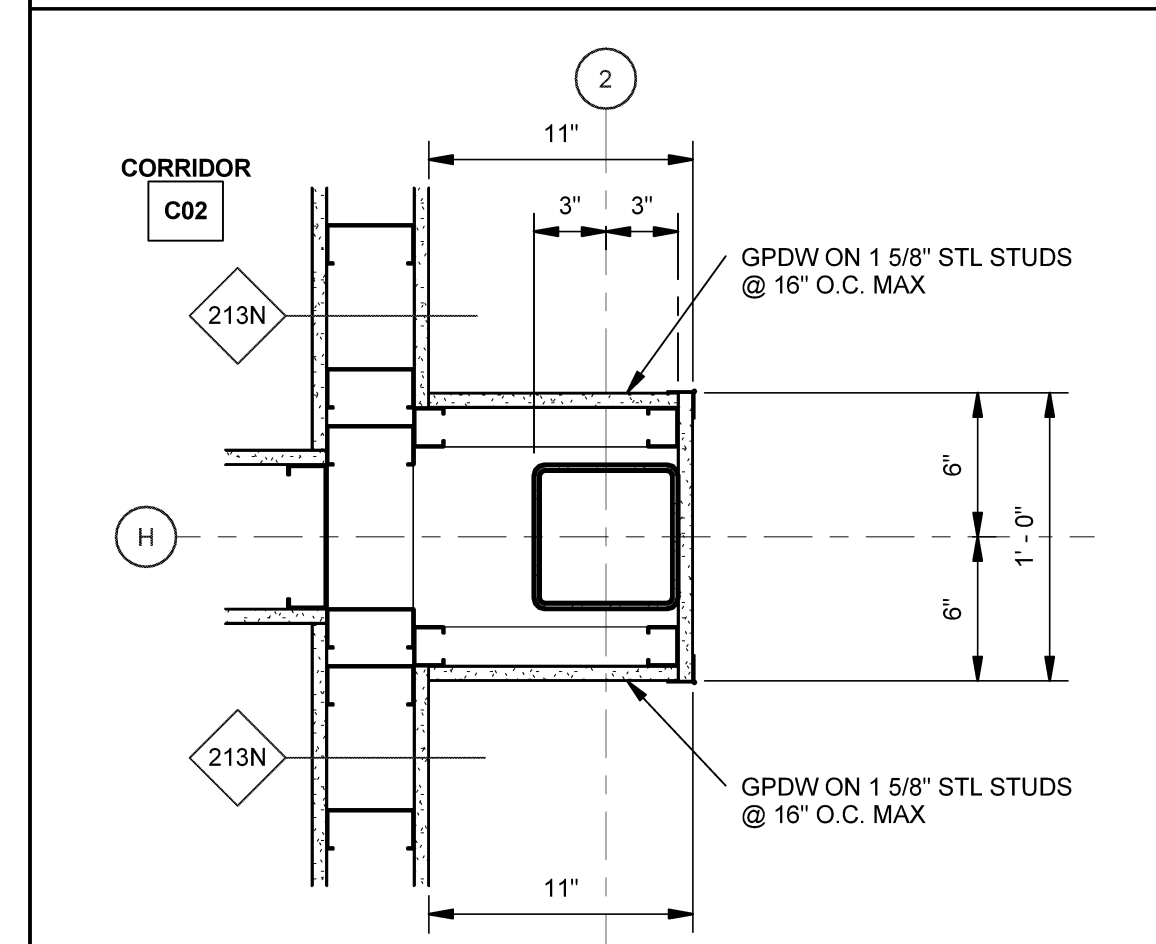
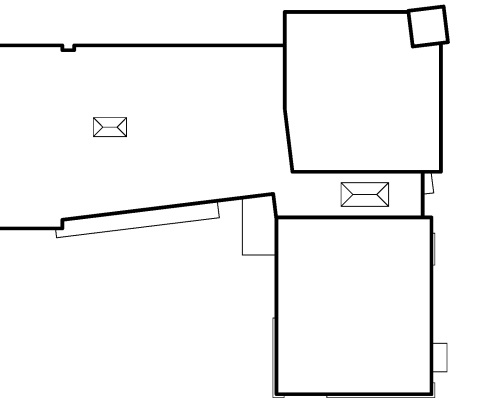
JEWISH COMMUNITY ALLIANCE OF SOUTHERN MAINE

PORTLAND, ME

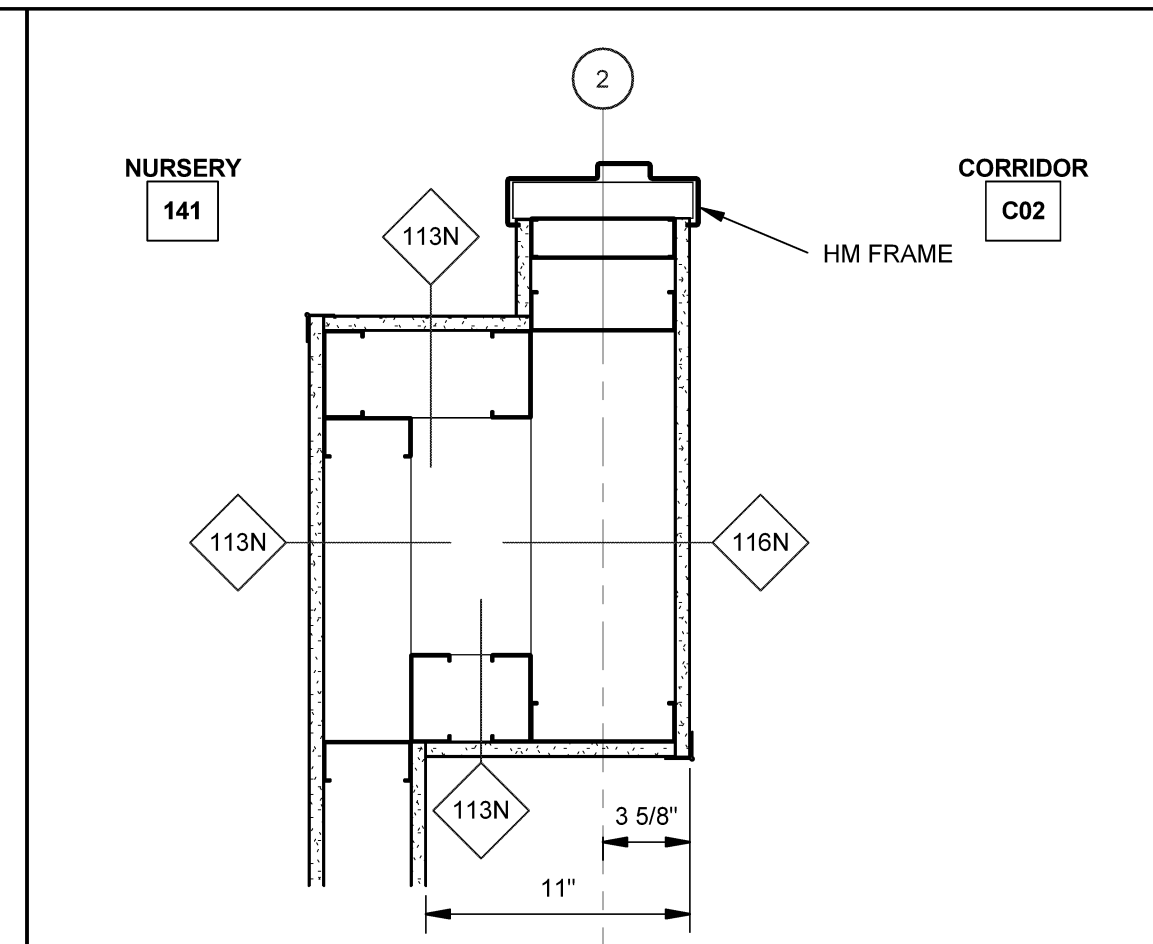
Harriman Project No. 15309

Key Plan

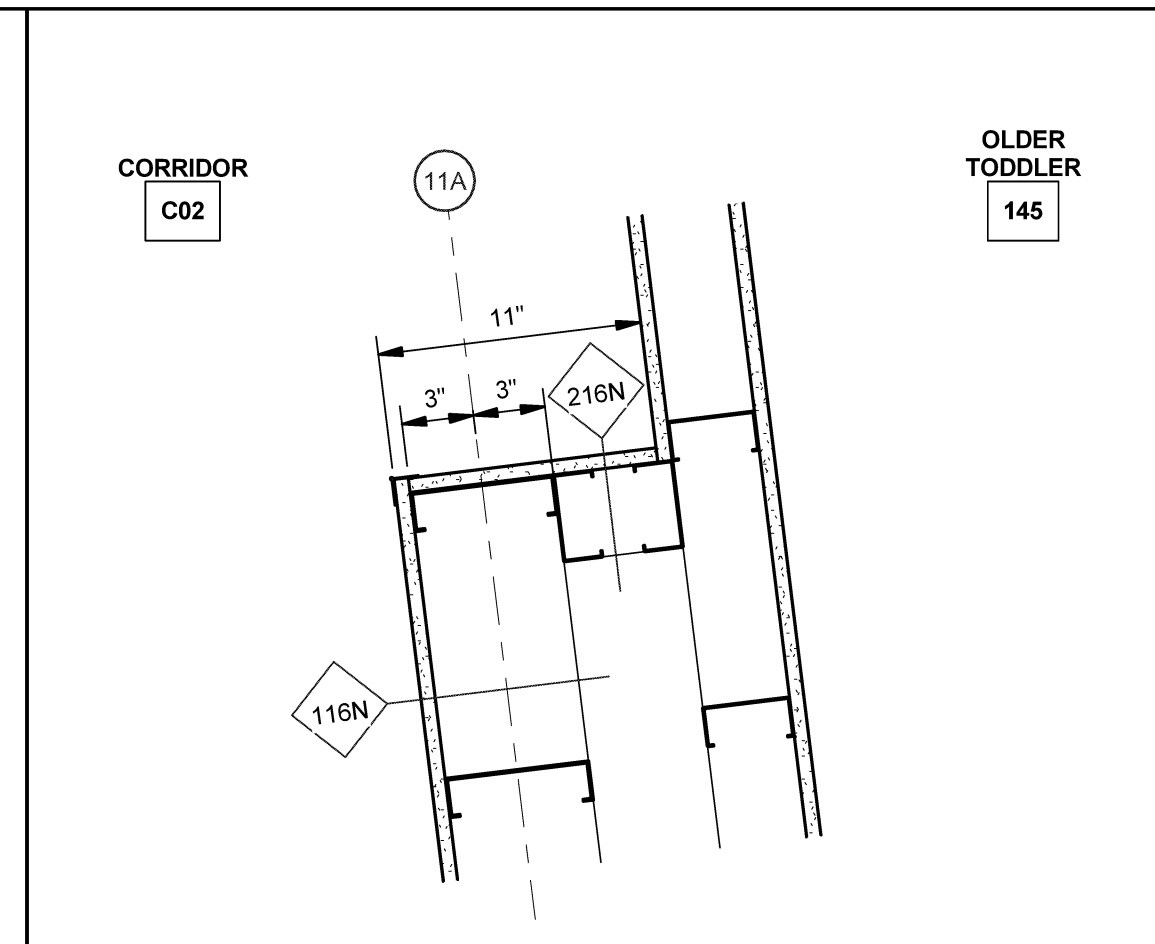
Proj North



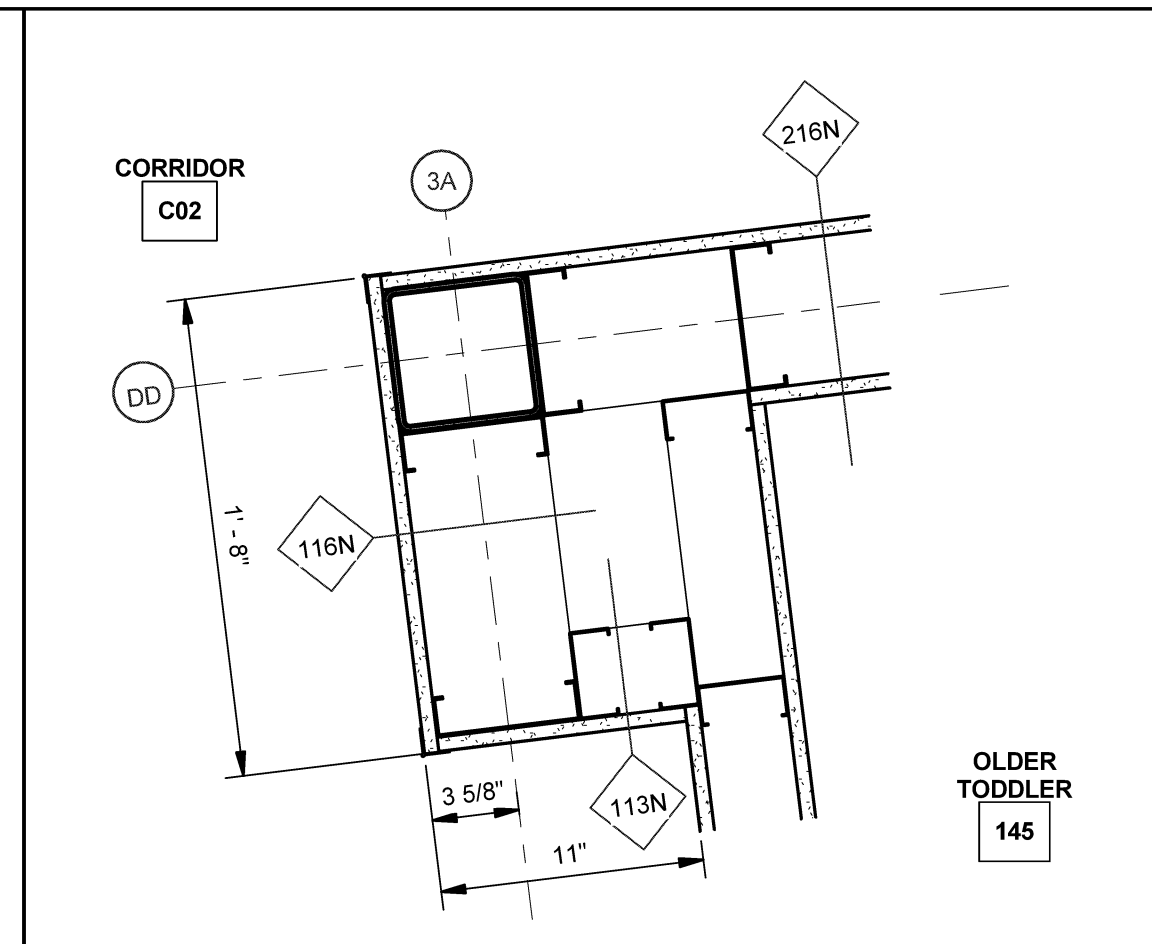
D3 PLAN DETAIL AT COLUMN H2  
SCALE: 1 1/2" = 1'-0"



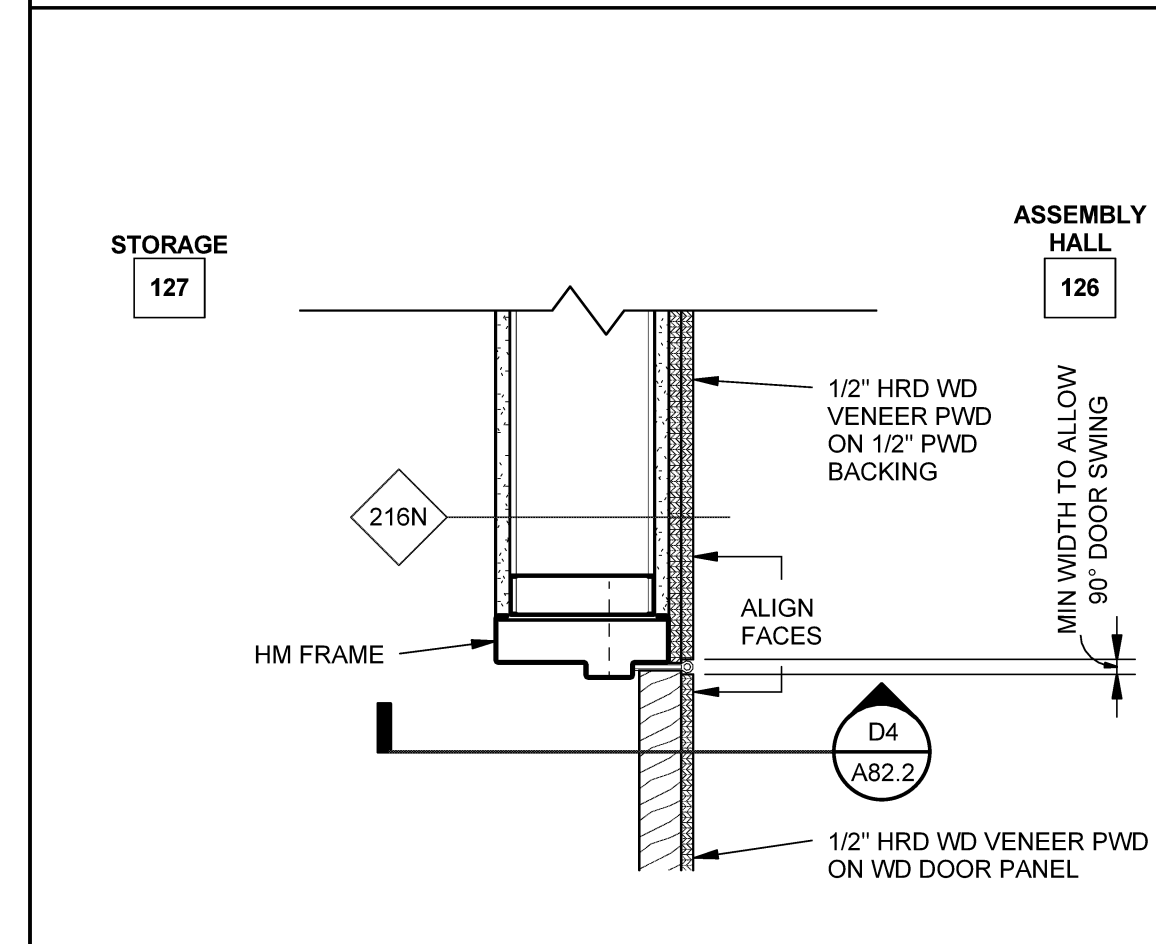
D4 PLAN DETAIL AT NURSERY  
SCALE: 1 1/2" = 1'-0"



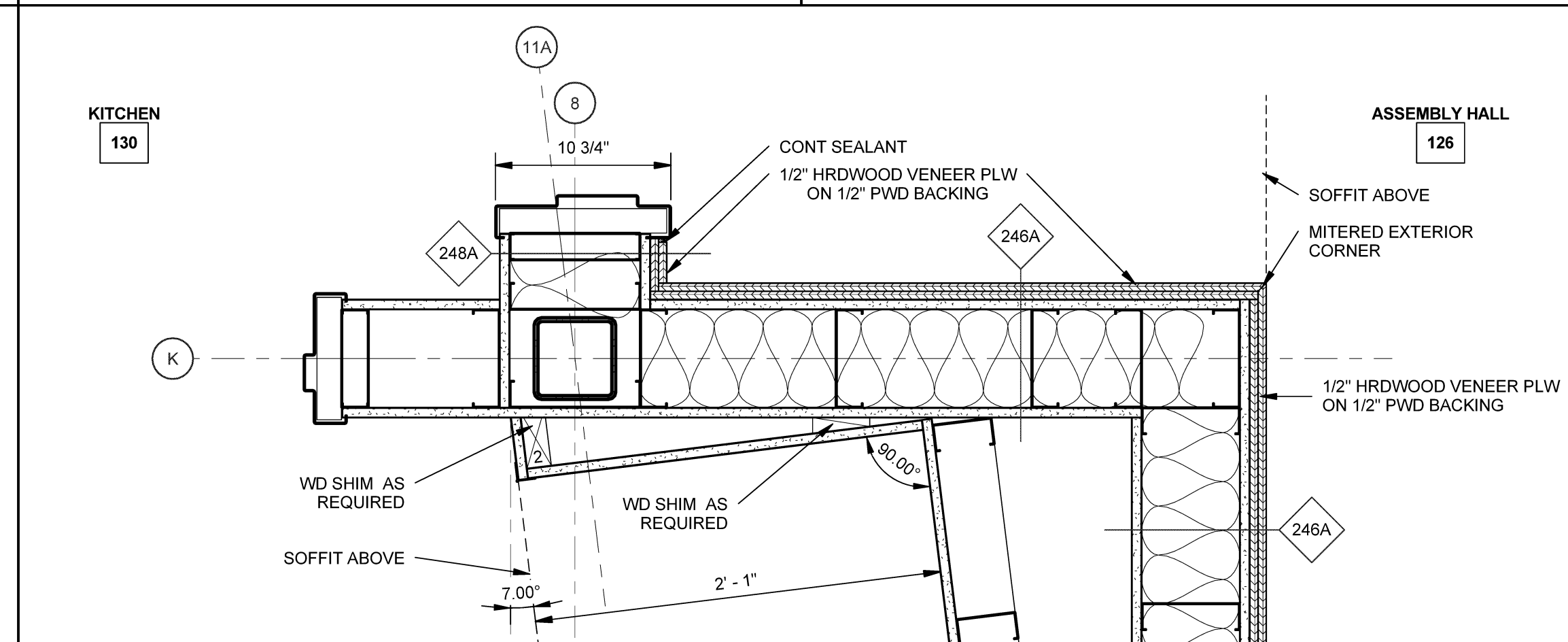
D5 PLAN DETAIL  
SCALE: 1 1/2" = 1'-0"



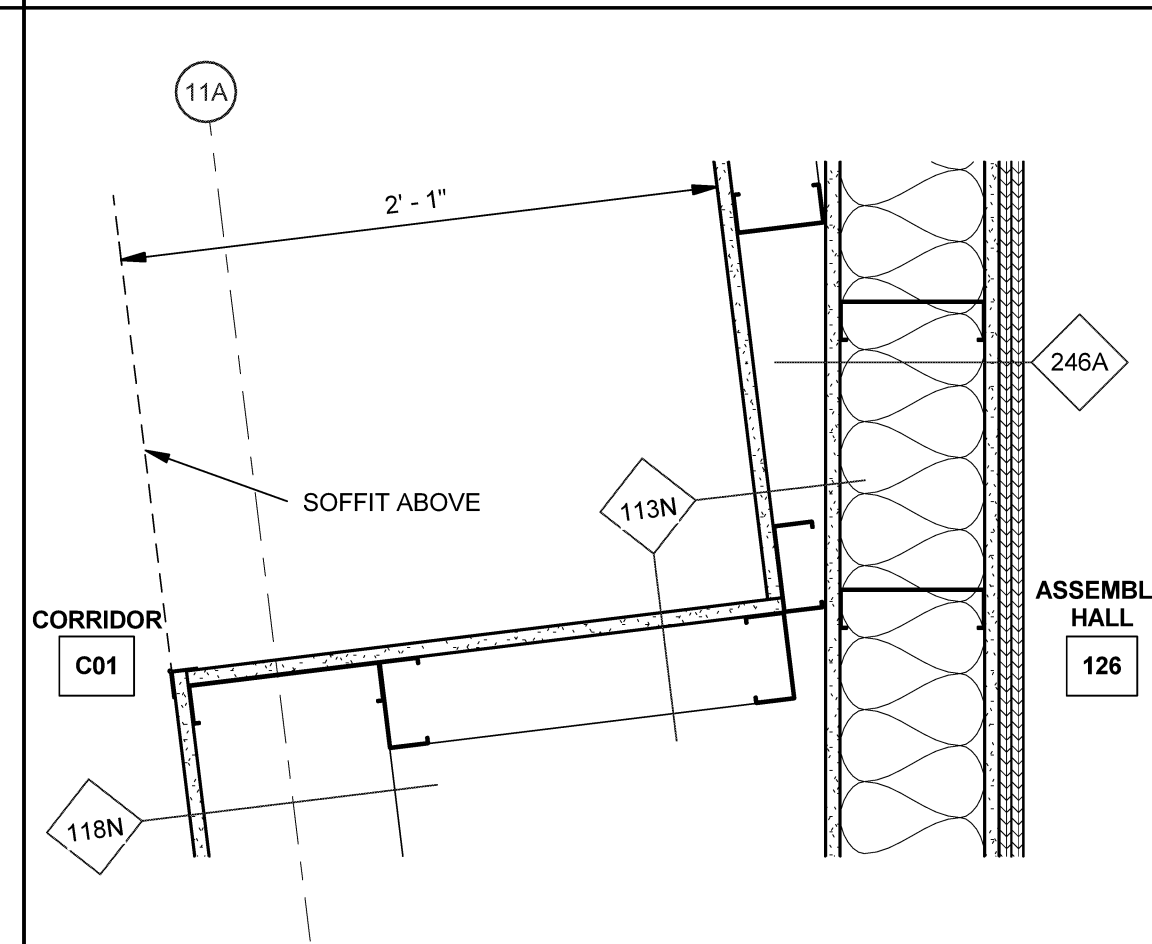
D6 PLAN DETAIL AT COLUMN DD/3A  
SCALE: 1 1/2" = 1'-0"



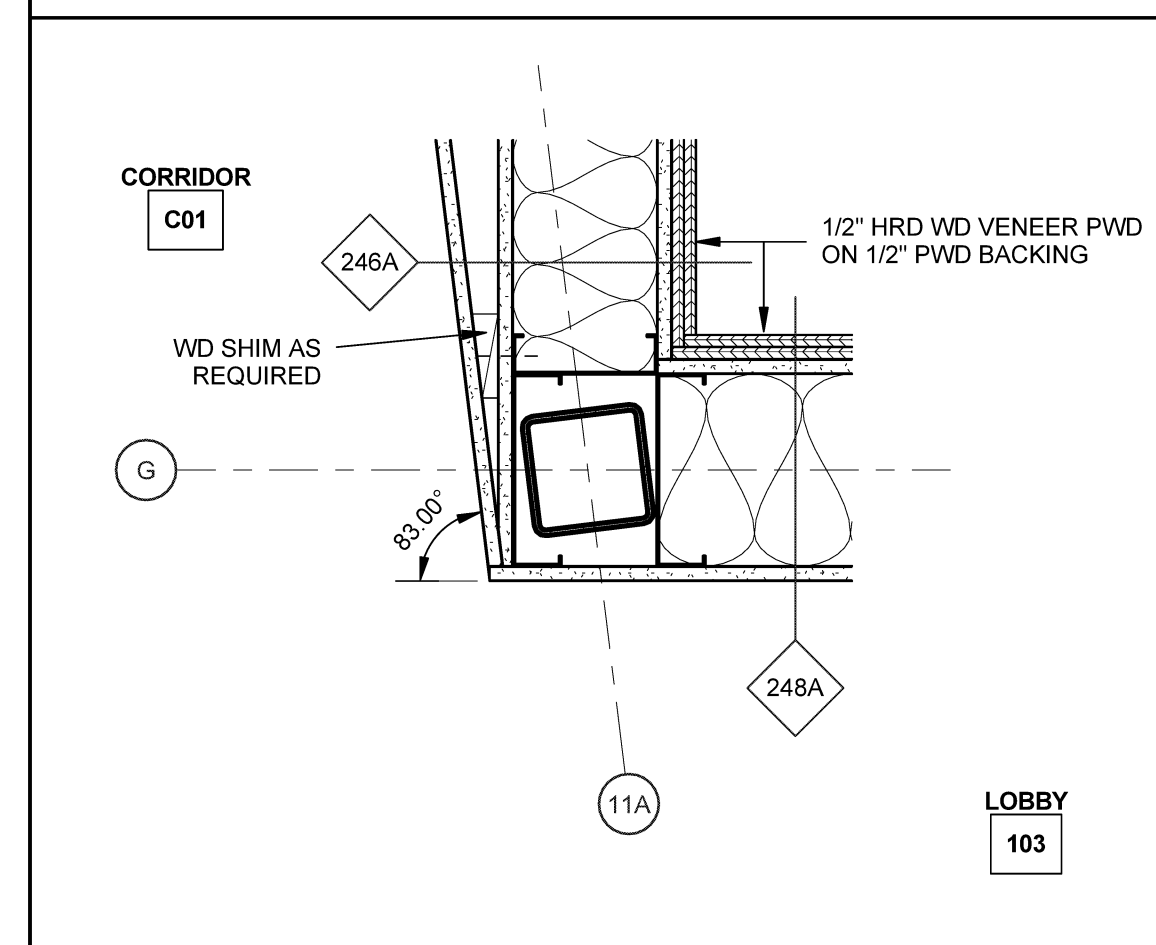
C3 JAMB DETAIL AT DOOR 127A  
SCALE: 1 1/2" = 1'-0"



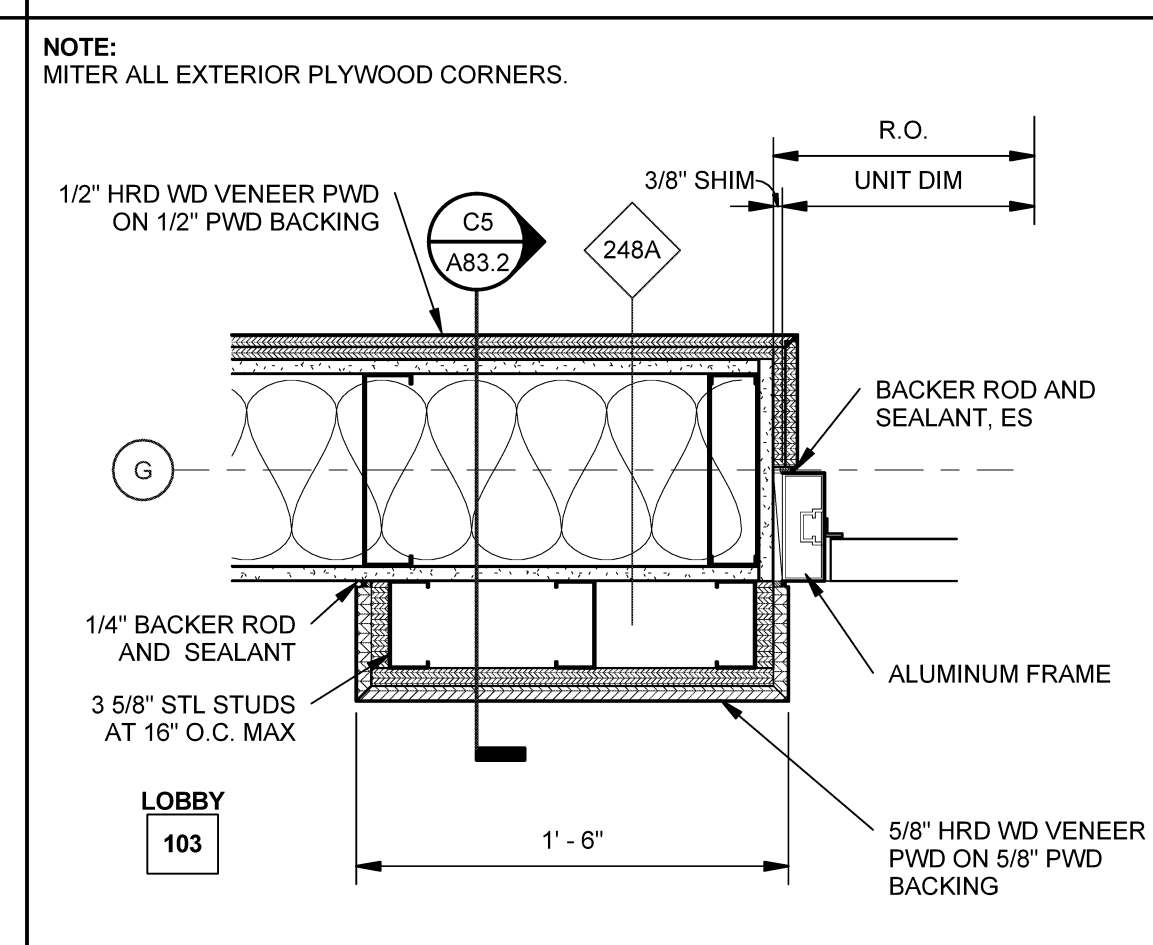
C4 PLAN DETAIL AT COLUMN K8  
SCALE: 1 1/2" = 1'-0"



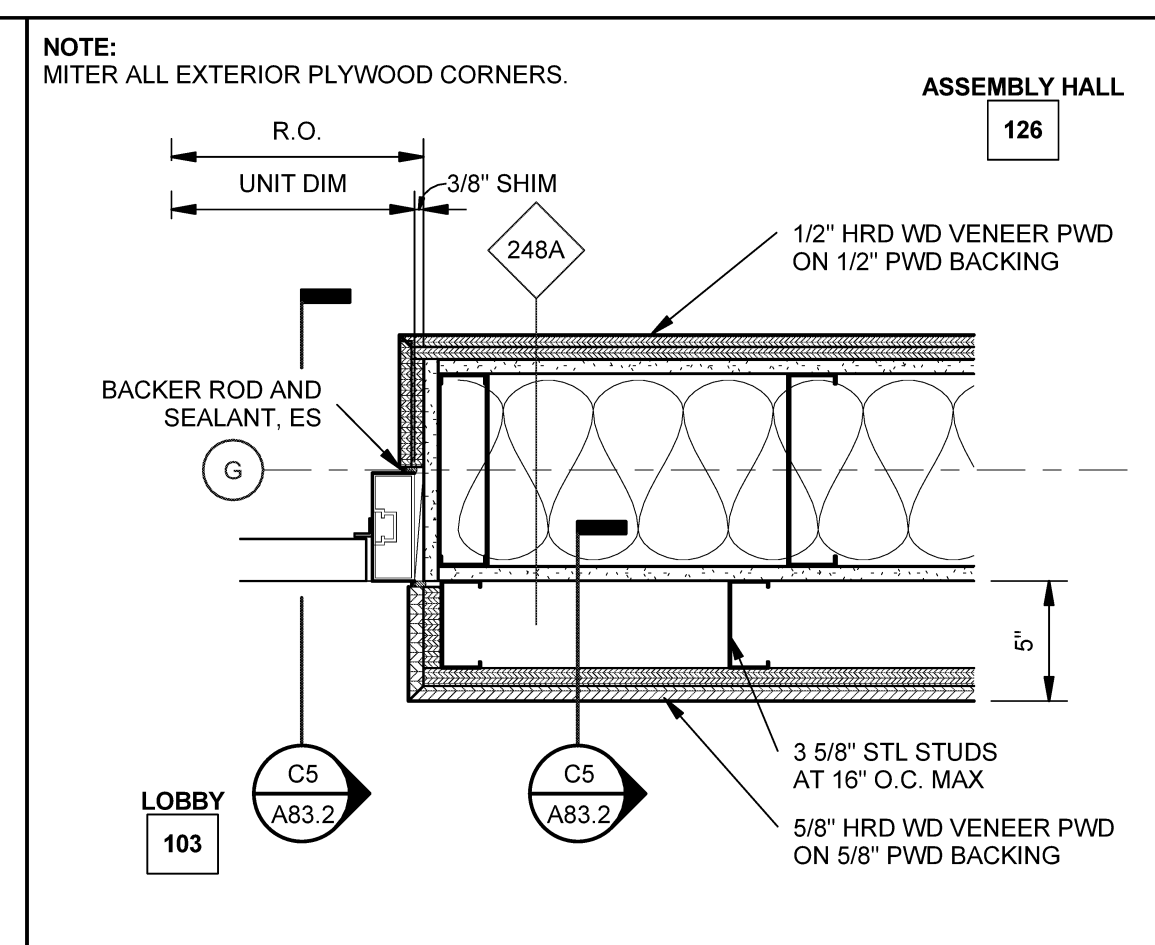
C6 PLAN DETAIL  
SCALE: 1 1/2" = 1'-0"



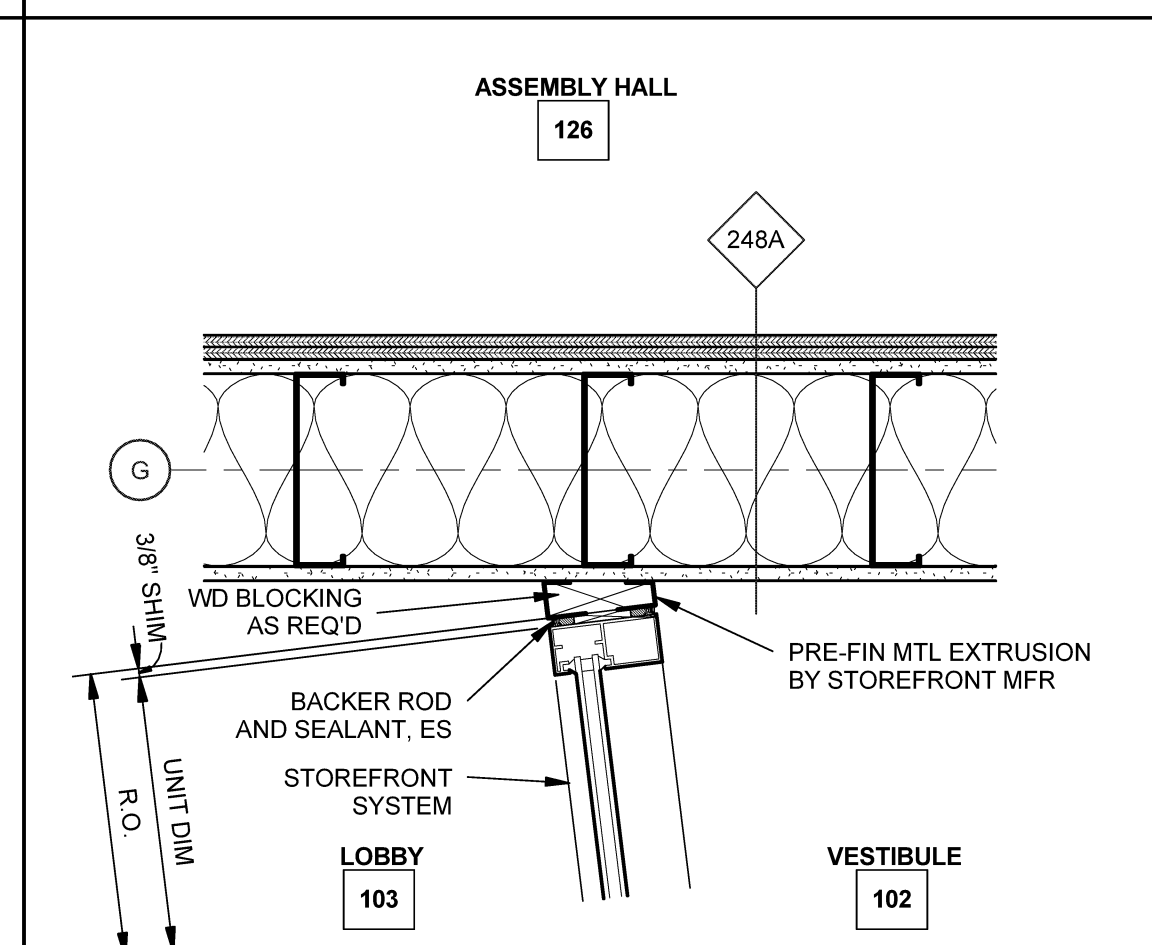
B3 PLAN DETAIL AT COLUMN 11A/G  
SCALE: 1 1/2" = 1'-0"



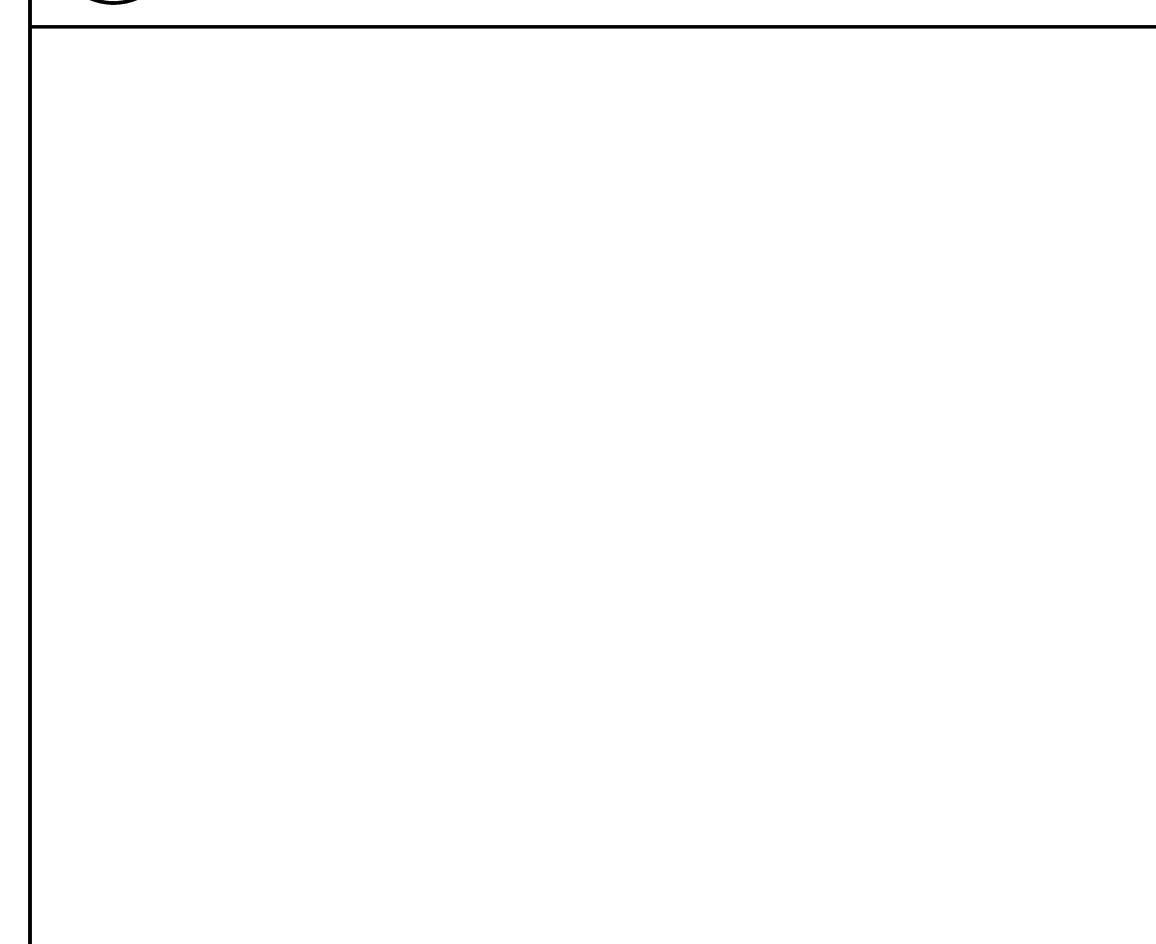
B4 PLAN DETAIL AT DOOR 126B  
SCALE: 1 1/2" = 1'-0"



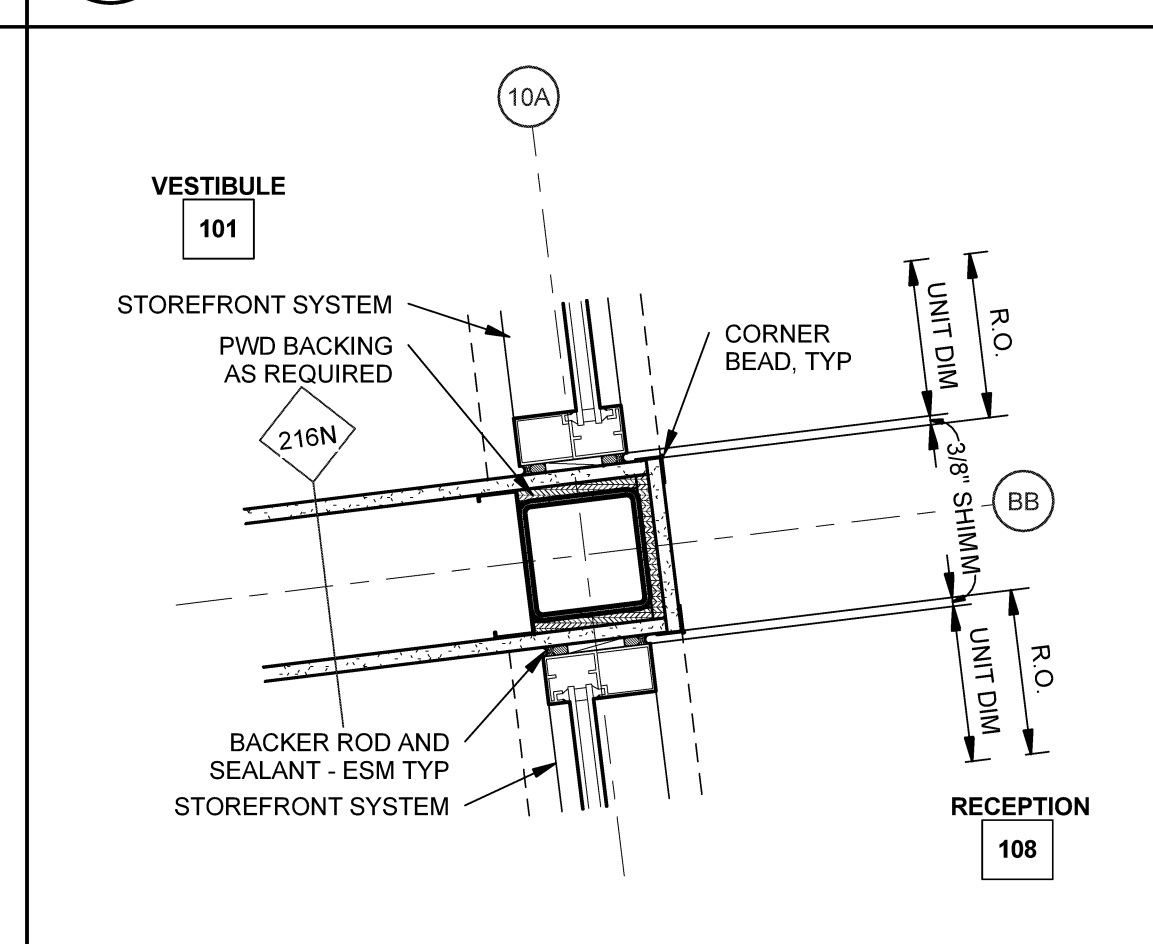
B5 PLAN DETAIL AT DOOR 126B  
SCALE: 1 1/2" = 1'-0"



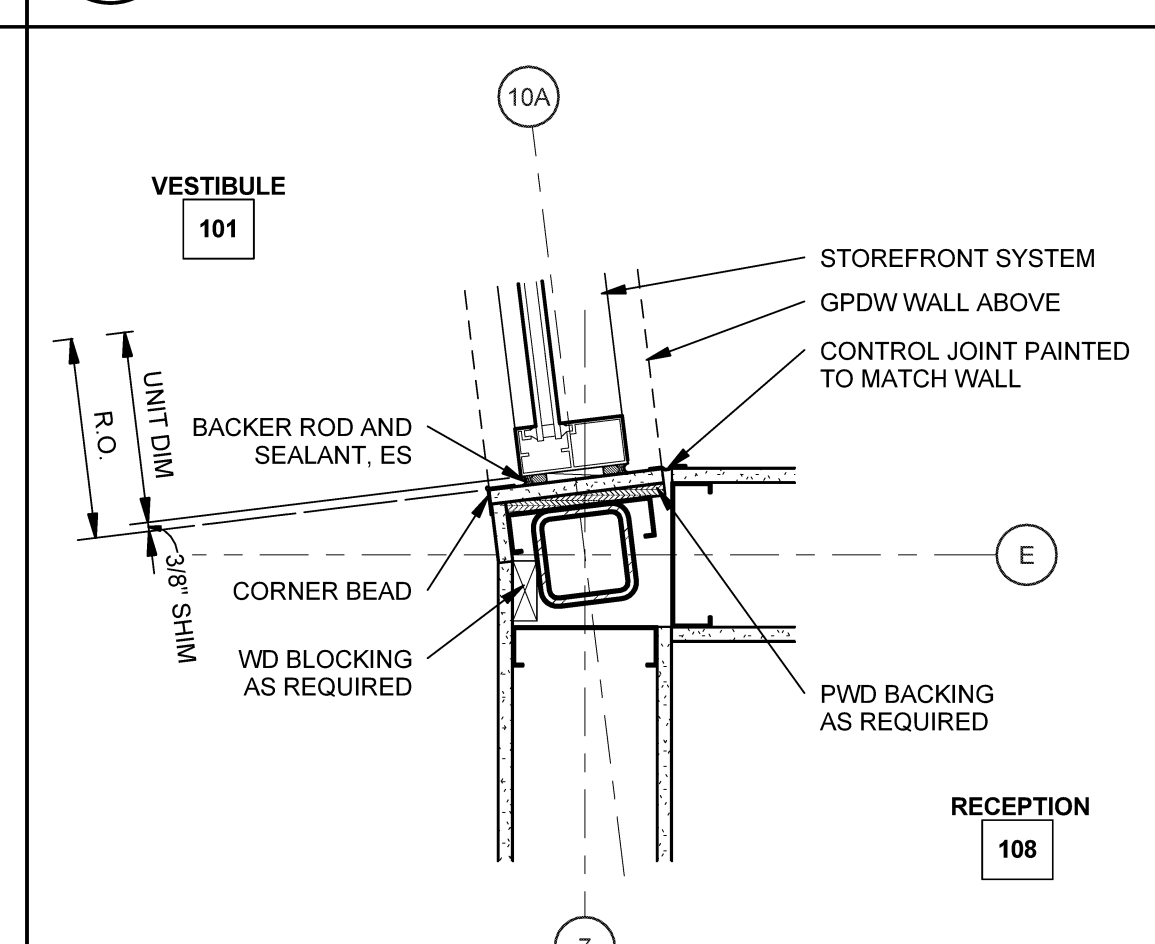
B6 PLAN DETAIL AT VESTIBULE 102  
SCALE: 1 1/2" = 1'-0"



A4 PLAN DETAIL AT COLUMN 10A/BB  
SCALE: 1 1/2" = 1'-0"

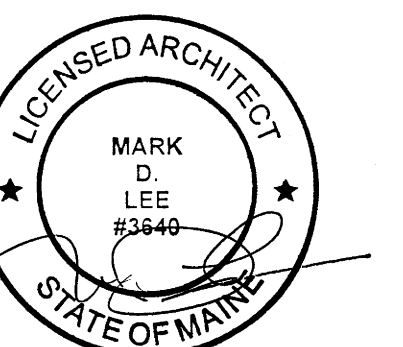


A5 PLAN DETAIL AT COLUMN E7  
SCALE: 1 1/2" = 1'-0"



A6 PLAN DETAIL AT DOOR C04  
SCALE: 1 1/2" = 1'-0"

Mark	Date	Description
-	03-25-16	CONSTRUCTION DOCUMENTS
1	07-22-16	CONFORMANCE SET



Drawing Scales  
1 1/2" = 1'-0"

PA/PE: MDL © 2016 Harriman Associates  
Drawn By: JAE

INTERIOR DETAILS

A82.1