



HARRIMAN

AUBURN PORTLAND MANCHESTER

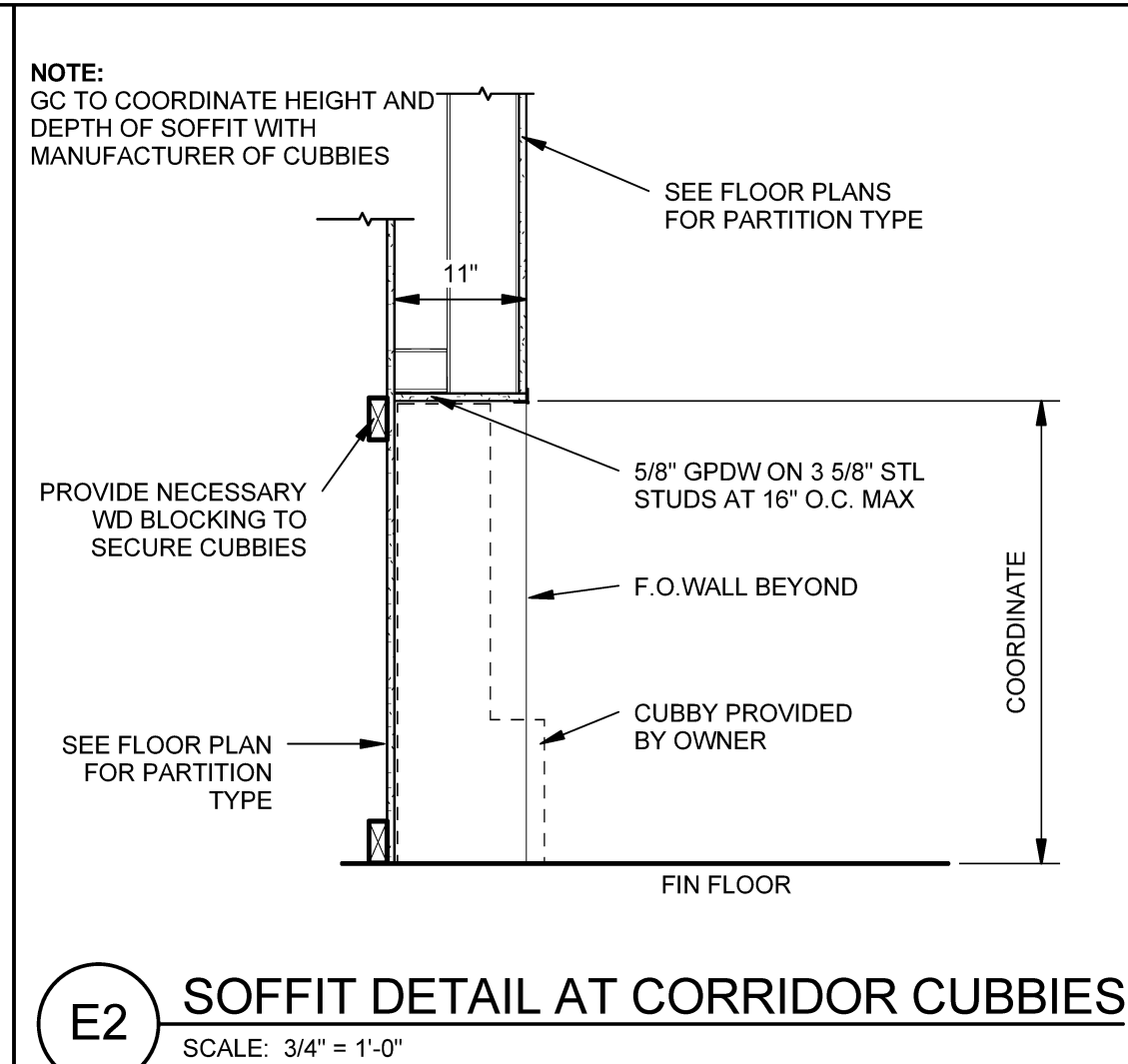
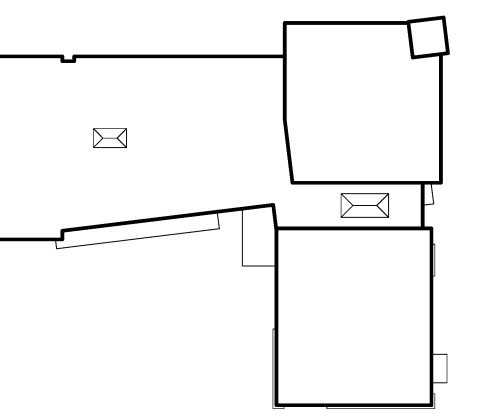
JEWISH COMMUNITY ALLIANCE OF SOUTHERN MAINE

PORTLAND, ME

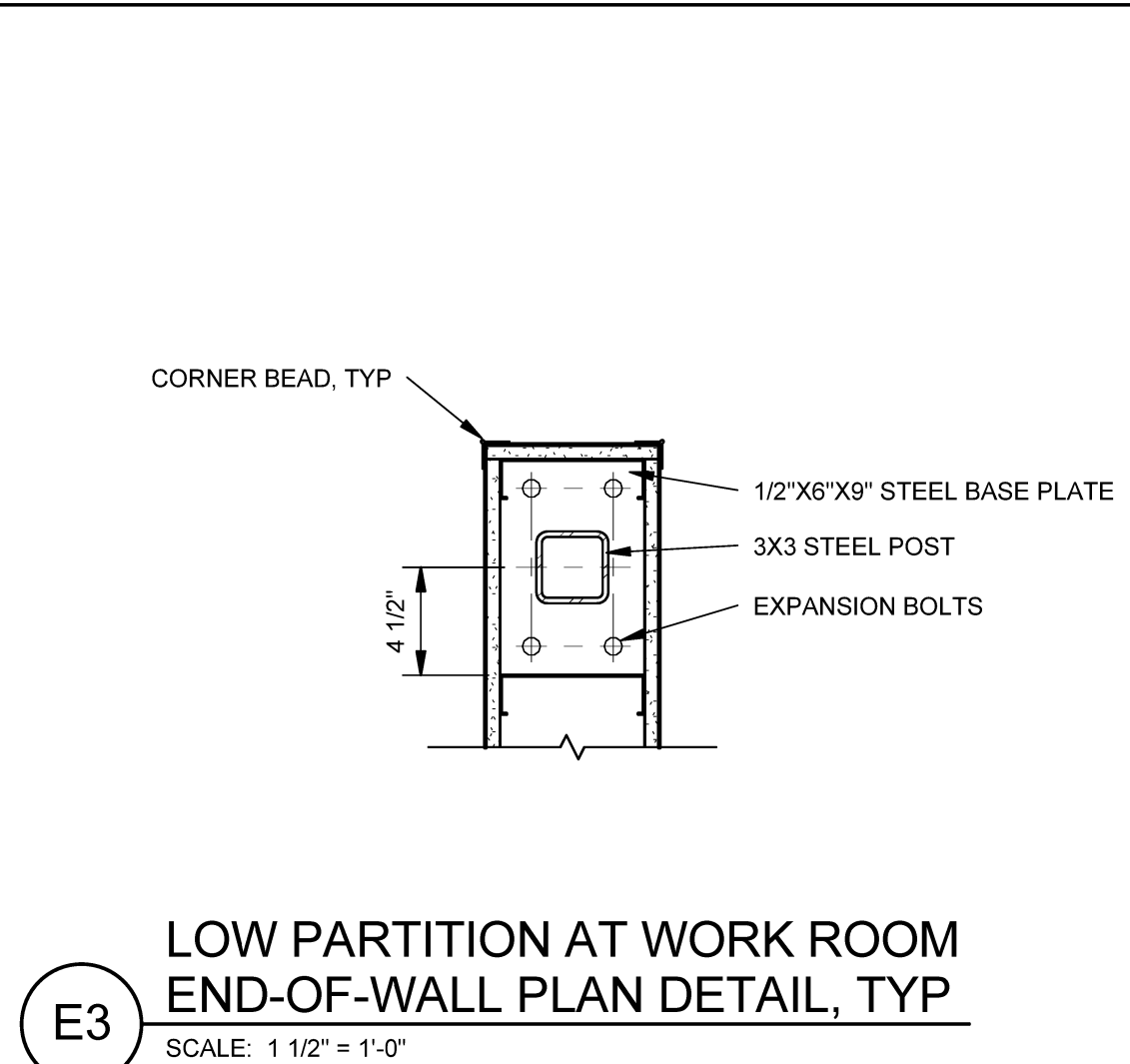
Harriman Project No. 15309

Key Plan

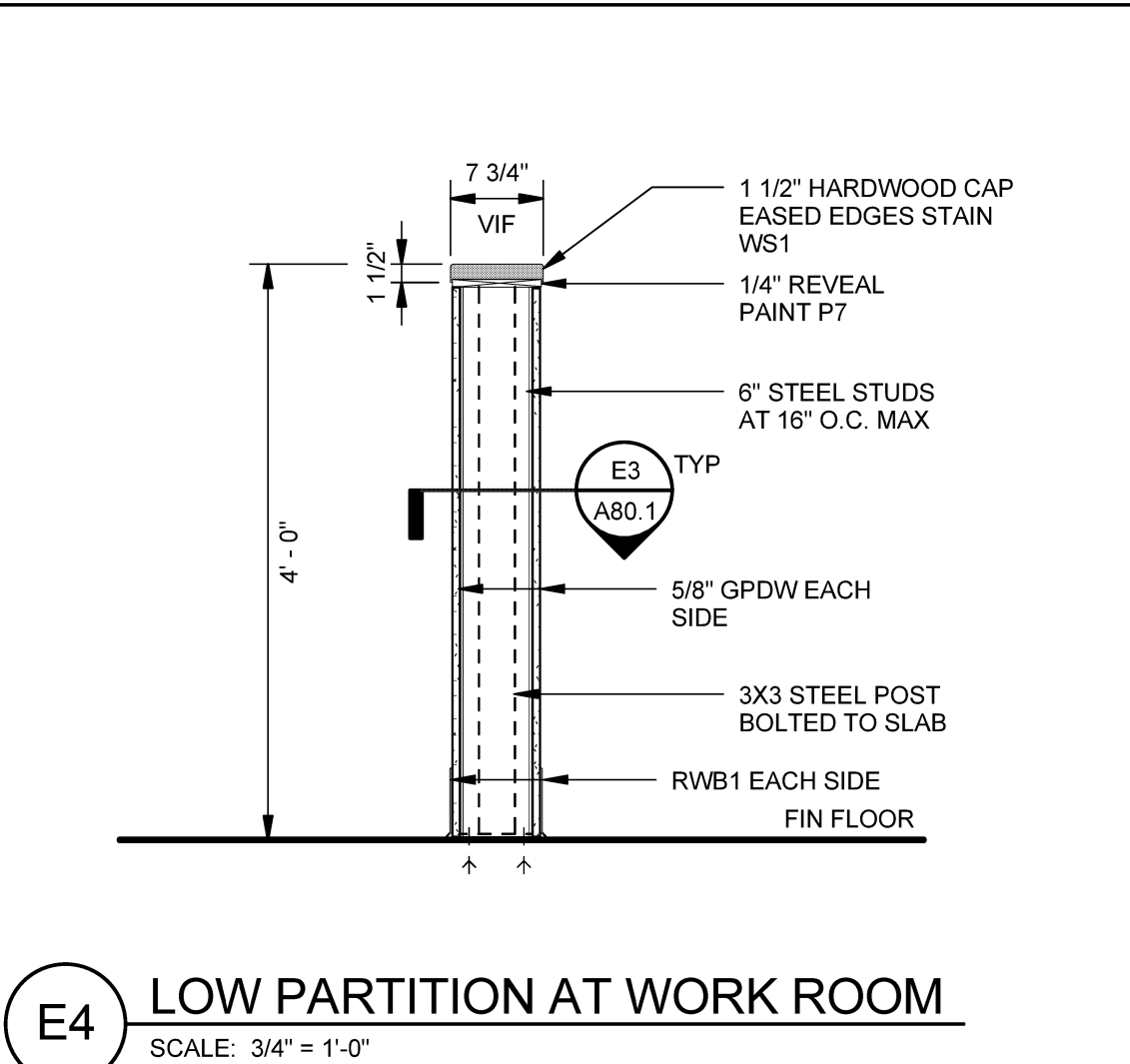
Proj North



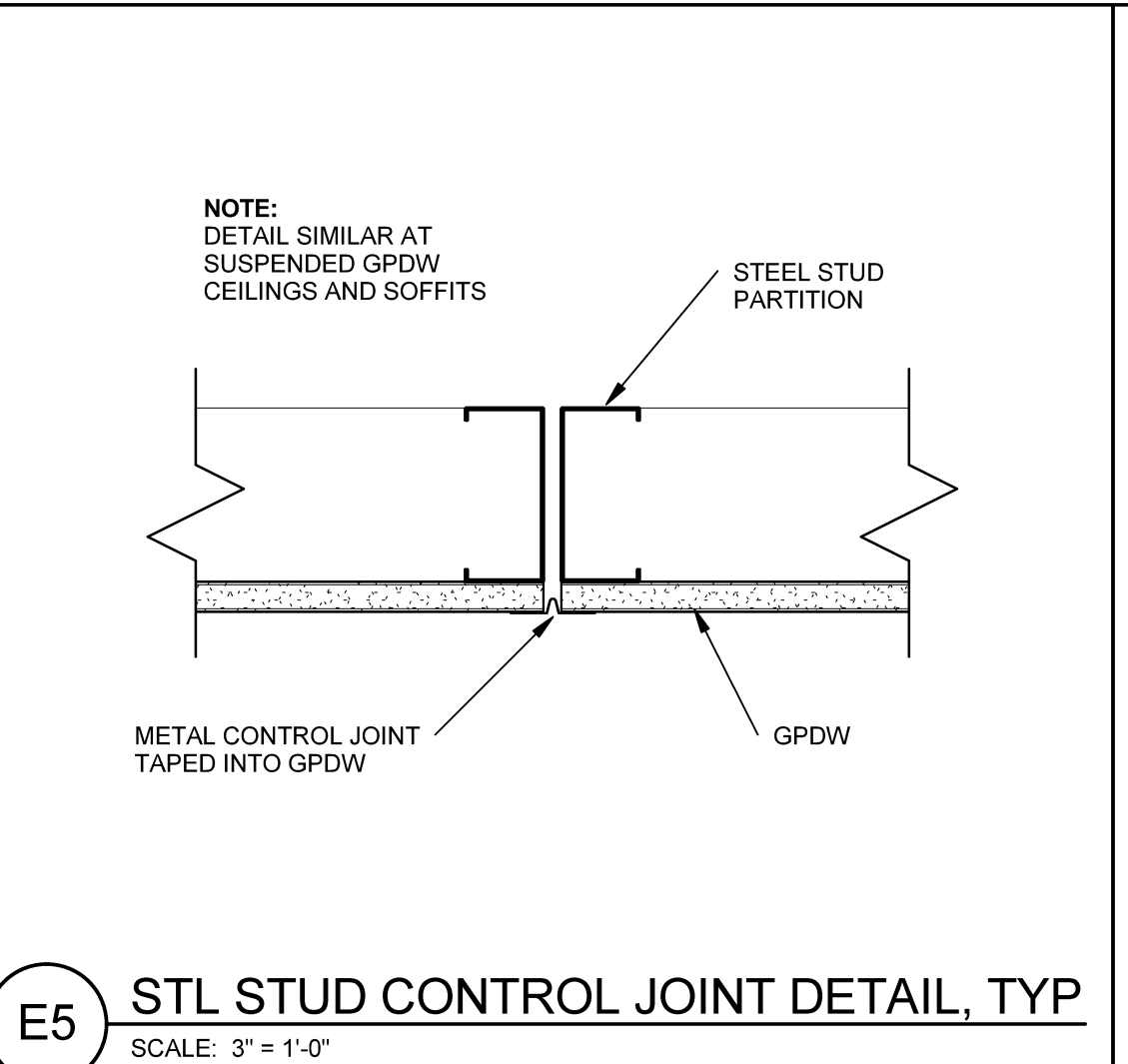
E2 SOFFIT DETAIL AT CORRIDOR CUBBIES SCALE: 3/4" = 1'-0"



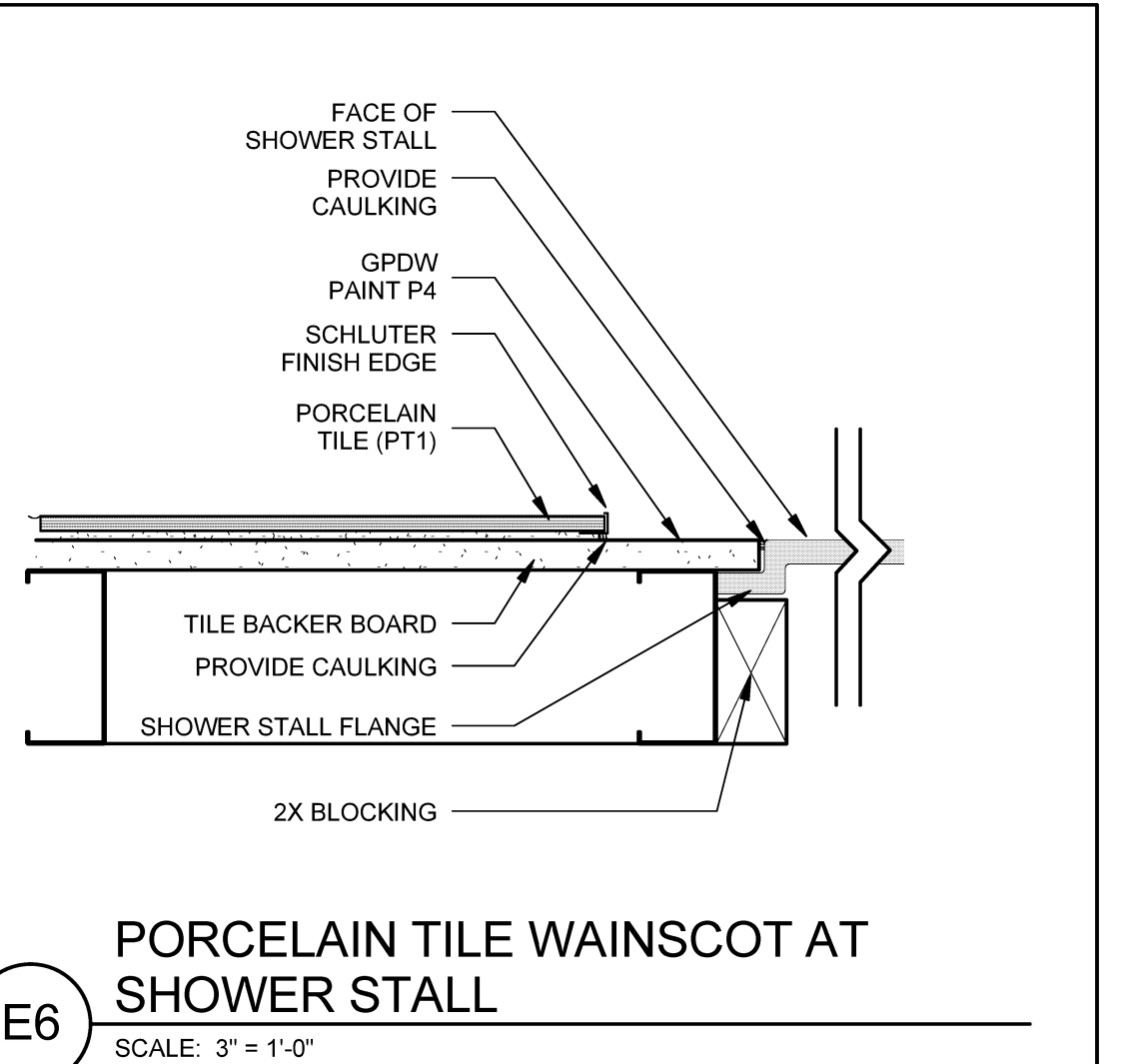
E3 LOW PARTITION AT WORK ROOM END-OF-WALL PLAN DETAIL, TYP SCALE: 1 1/2" = 1'-0"



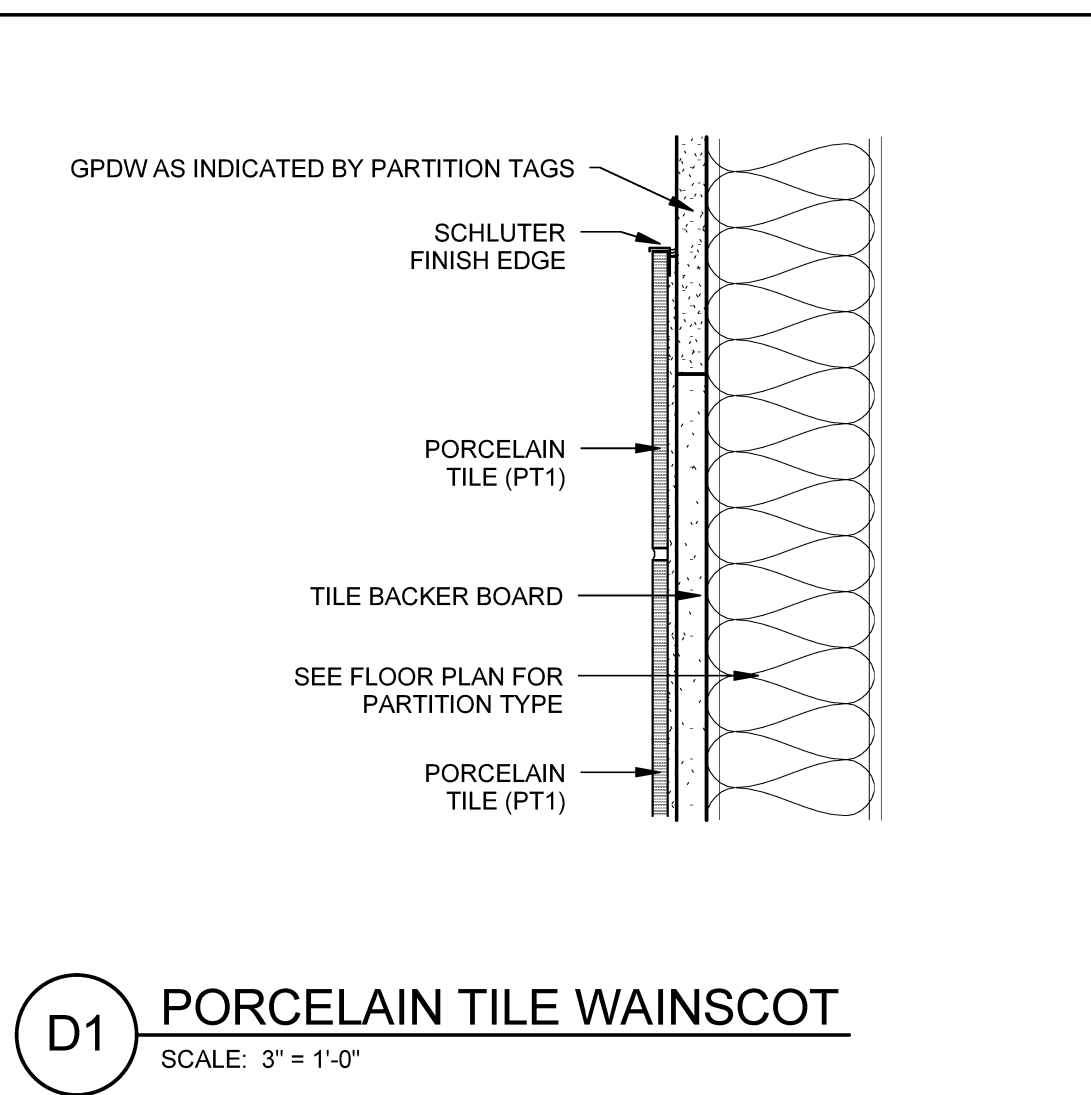
E4 LOW PARTITION AT WORK ROOM SCALE: 3/4" = 1'-0"



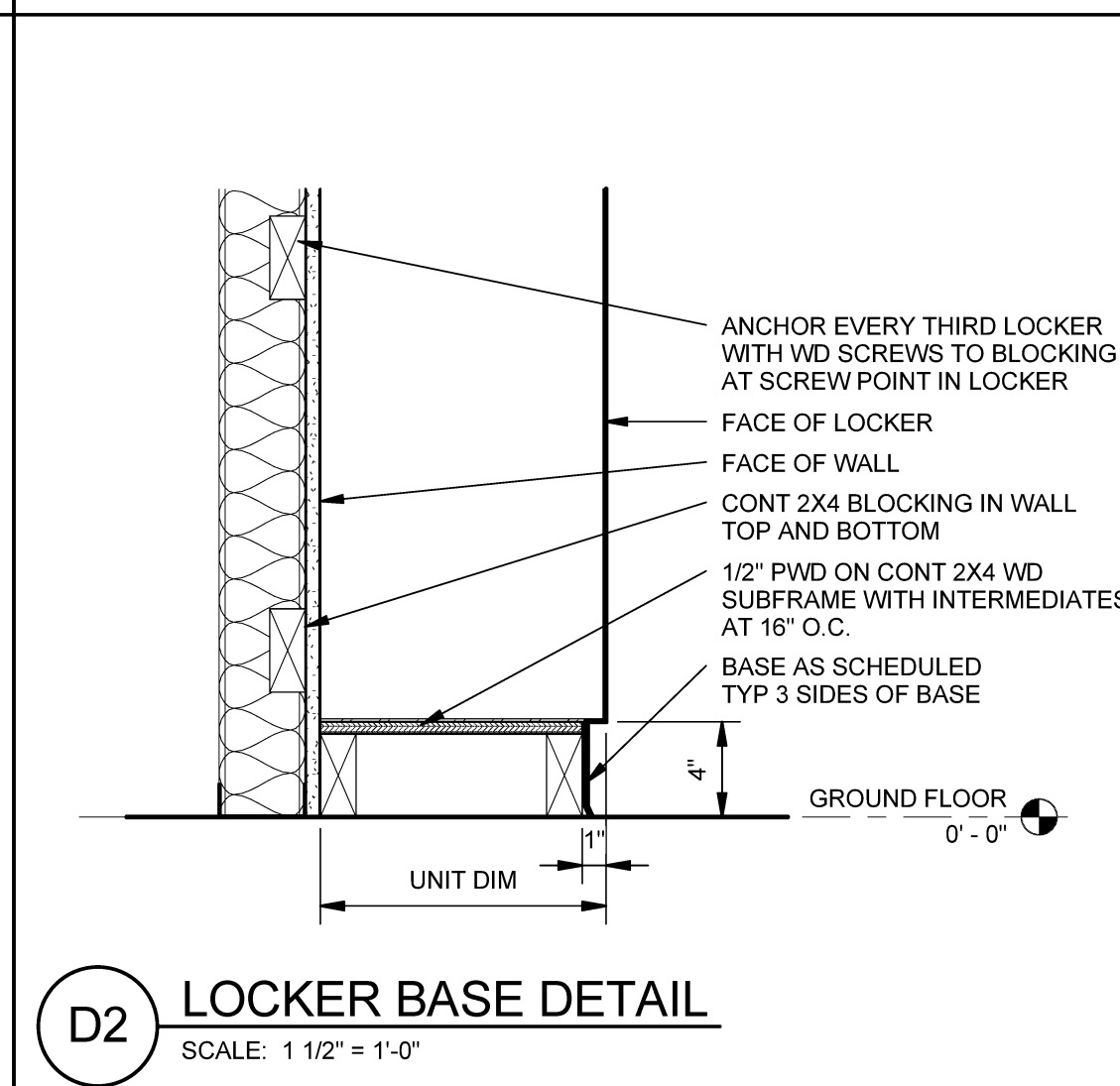
E5 STL STUD CONTROL JOINT DETAIL, TYP SCALE: 3" = 1'-0"



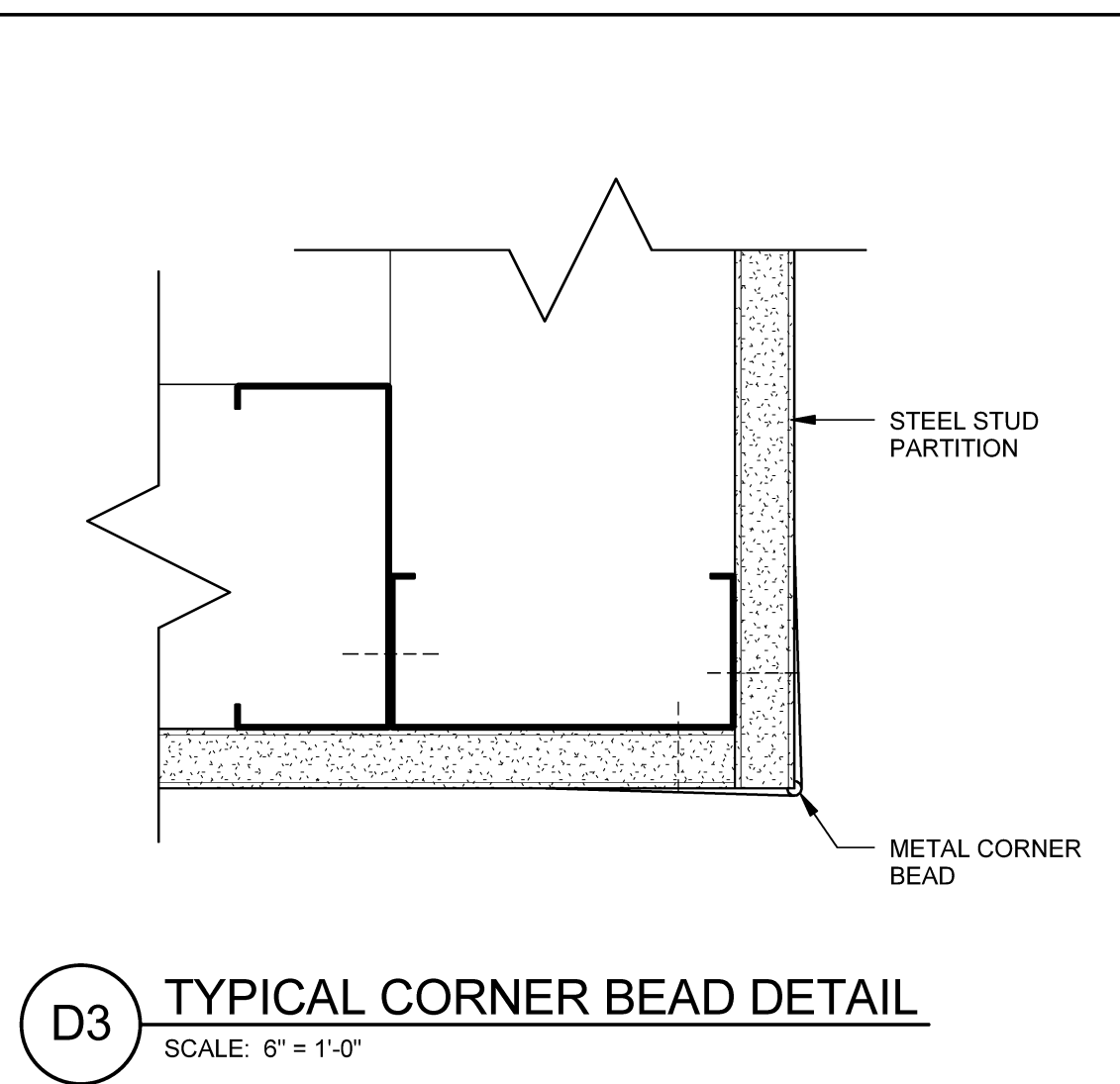
E6 PORCELAIN TILE WAINSCOT AT SHOWER STALL SCALE: 3" = 1'-0"



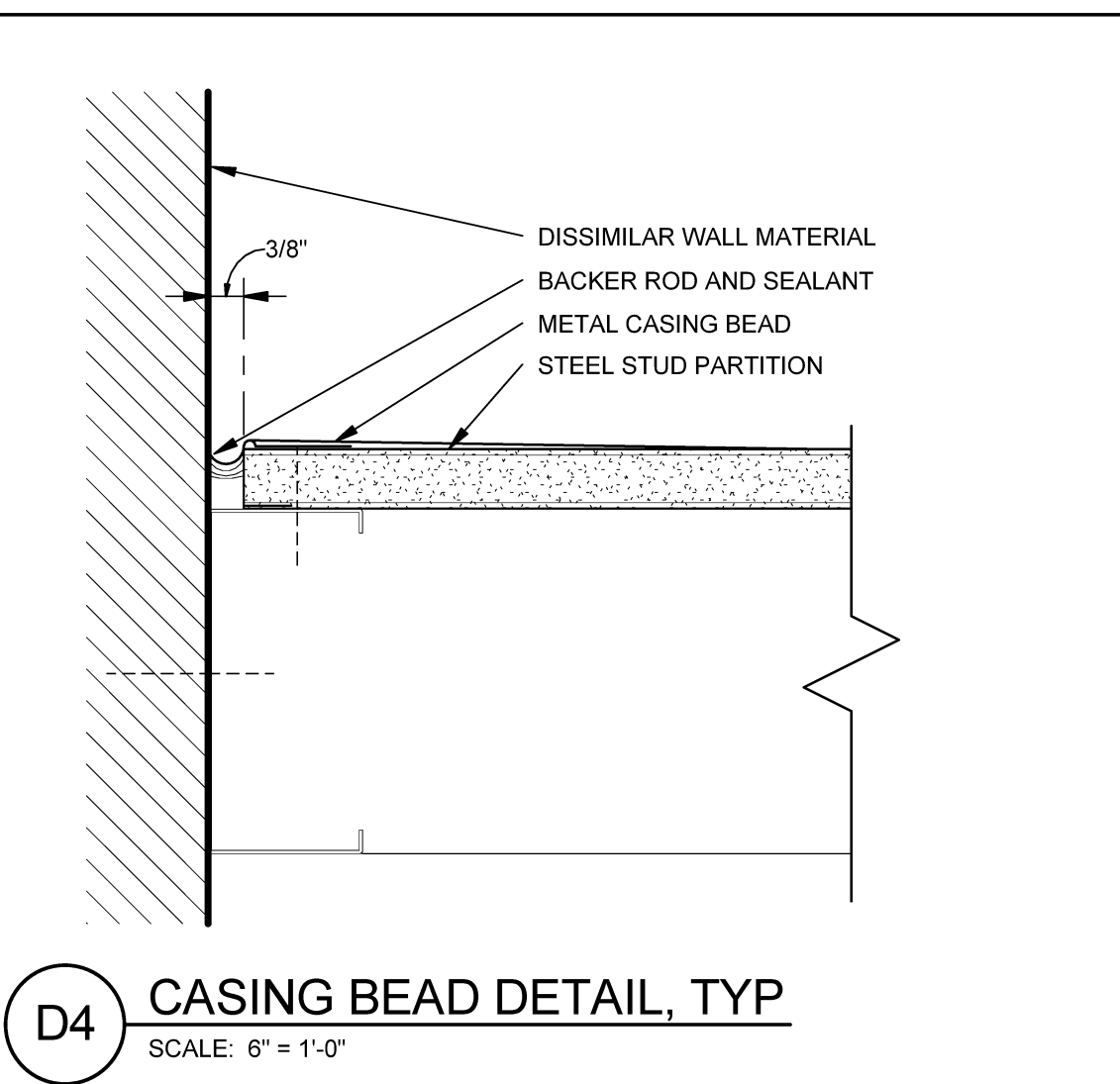
D1 PORCELAIN TILE WAINSCOT SCALE: 3" = 1'-0"



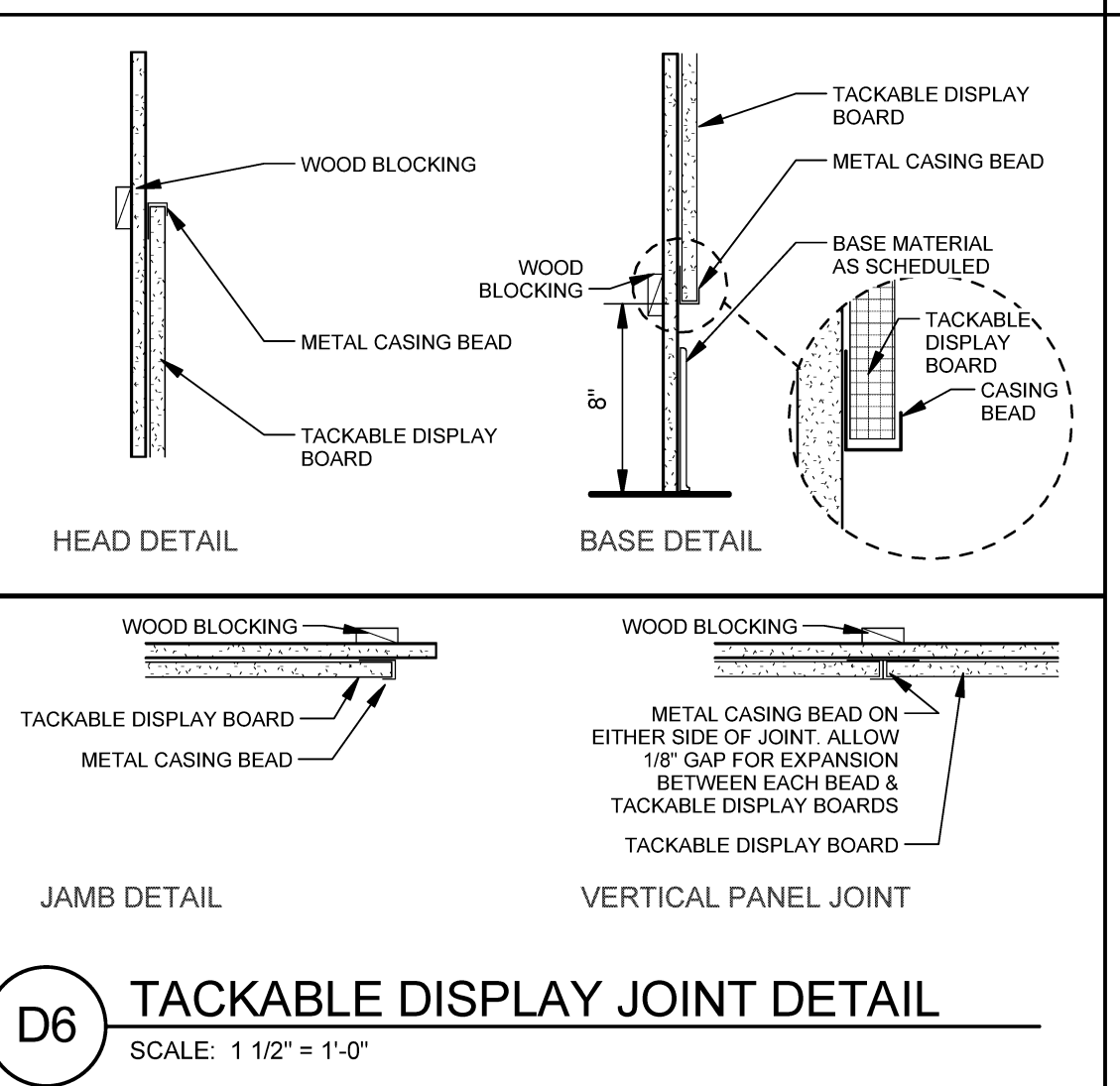
D2 LOCKER BASE DETAIL SCALE: 1 1/2" = 1'-0"



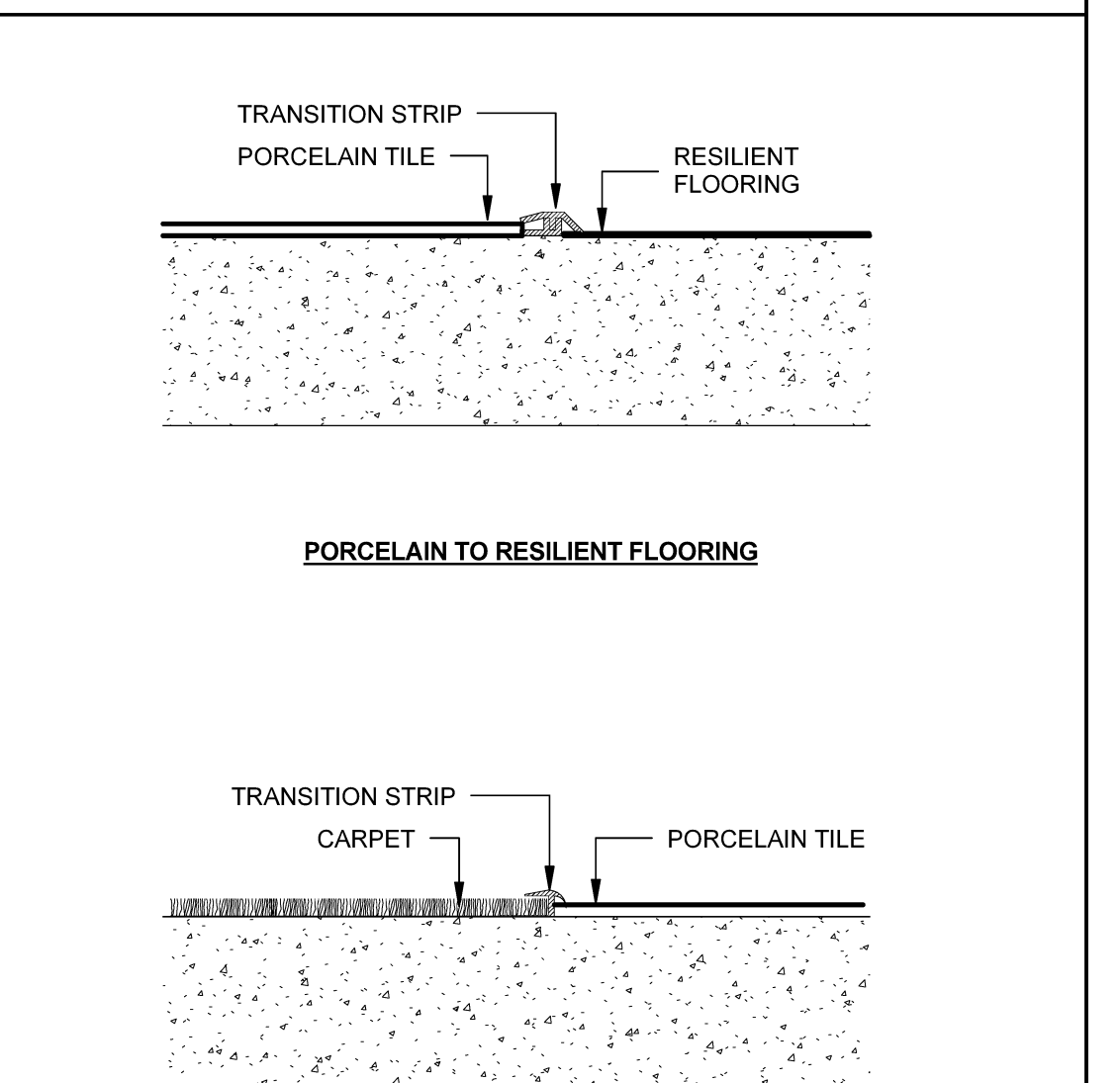
D3 TYPICAL CORNER BEAD DETAIL SCALE: 6" = 1'-0"



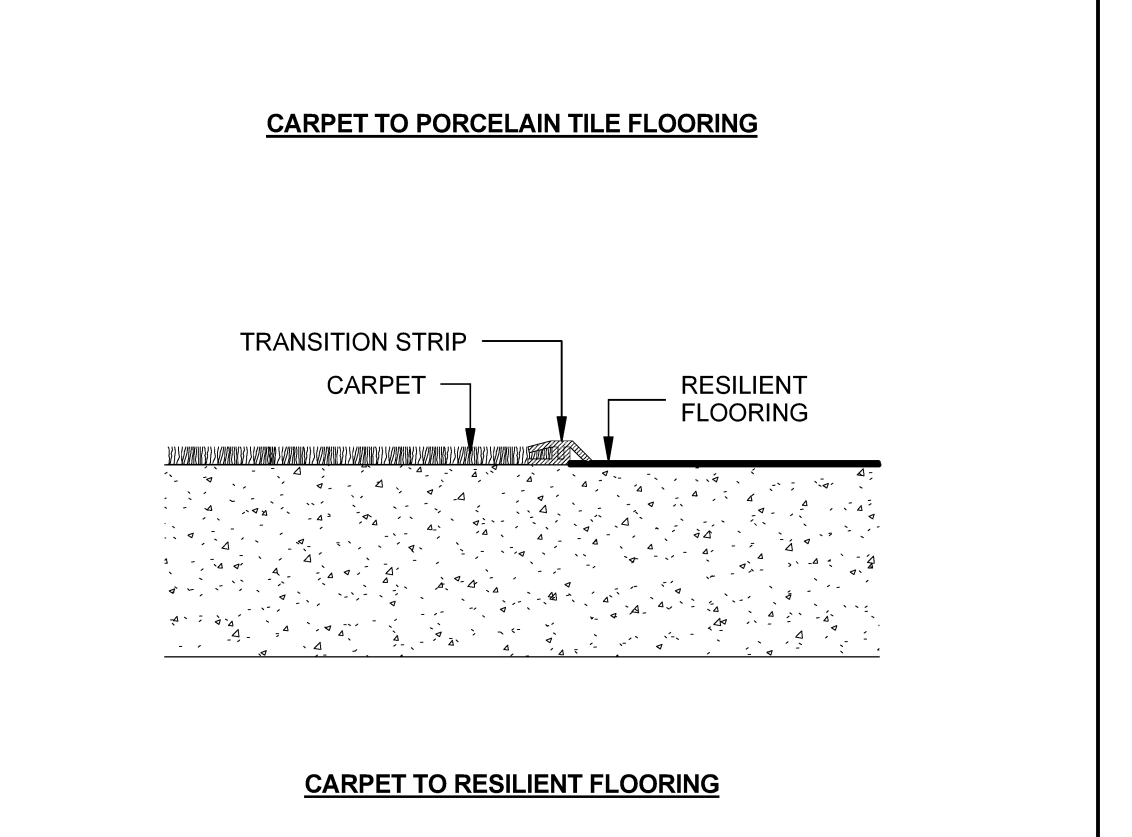
D4 CASING BEAD DETAIL, TYP SCALE: 6" = 1'-0"



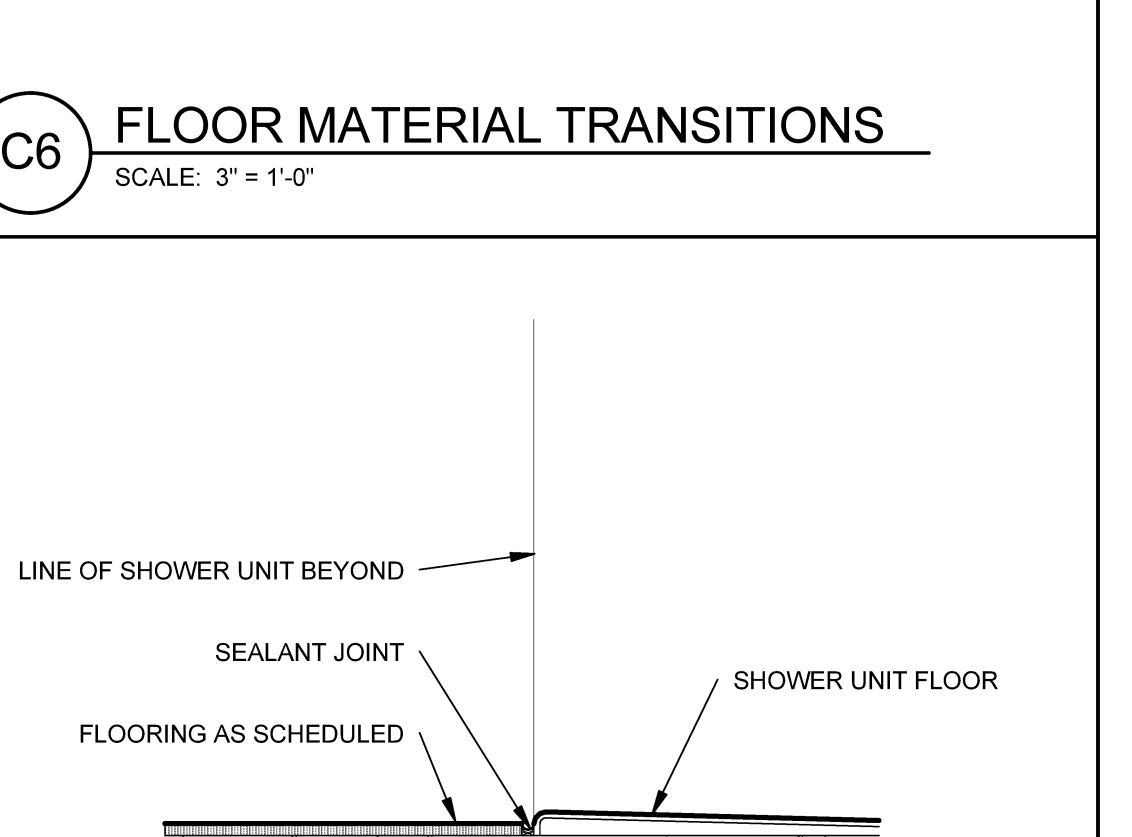
D6 TACKABLE DISPLAY JOINT DETAIL SCALE: 1 1/2" = 1'-0"



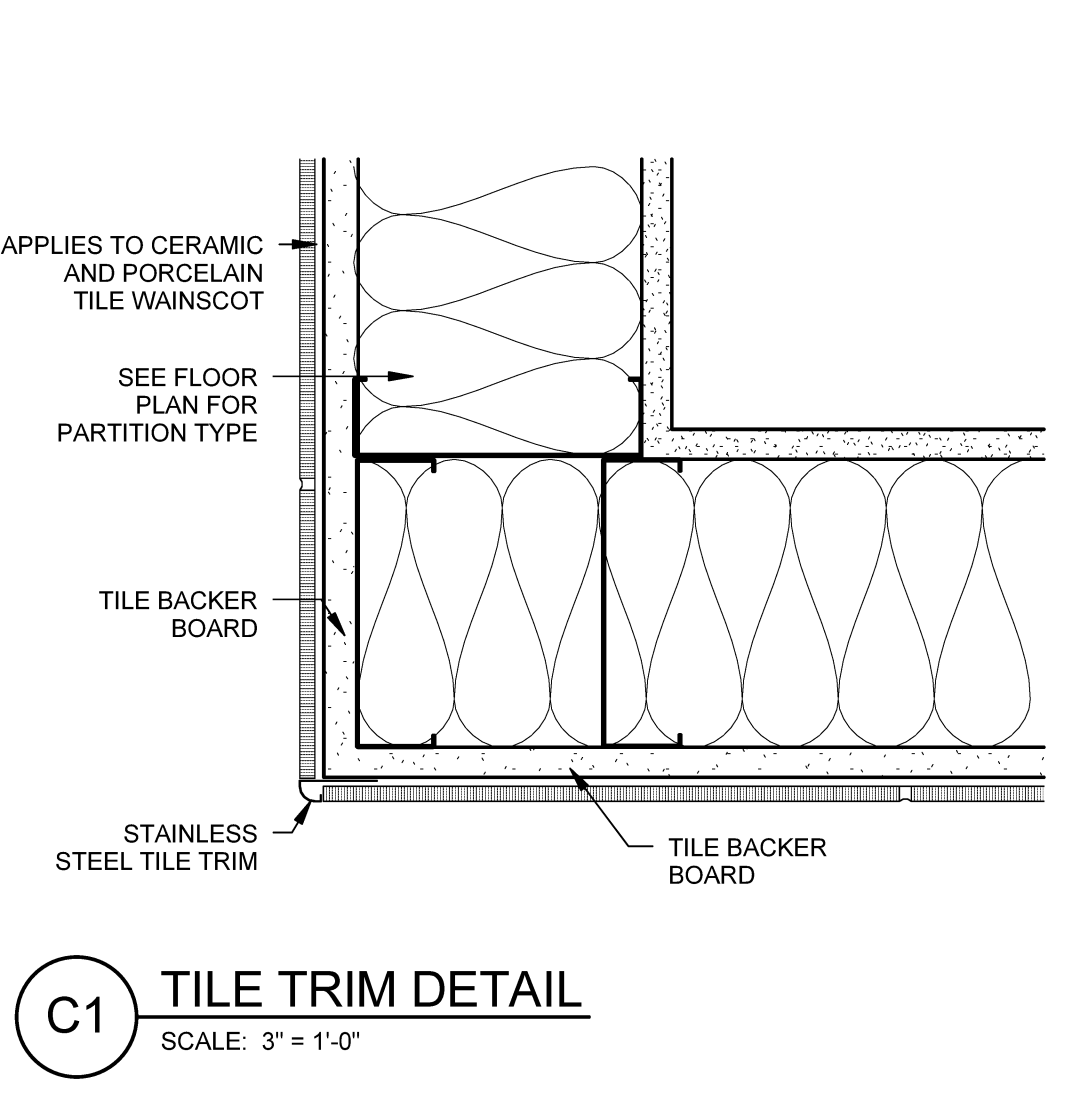
PORCELAIN TO RESILIENT FLOORING



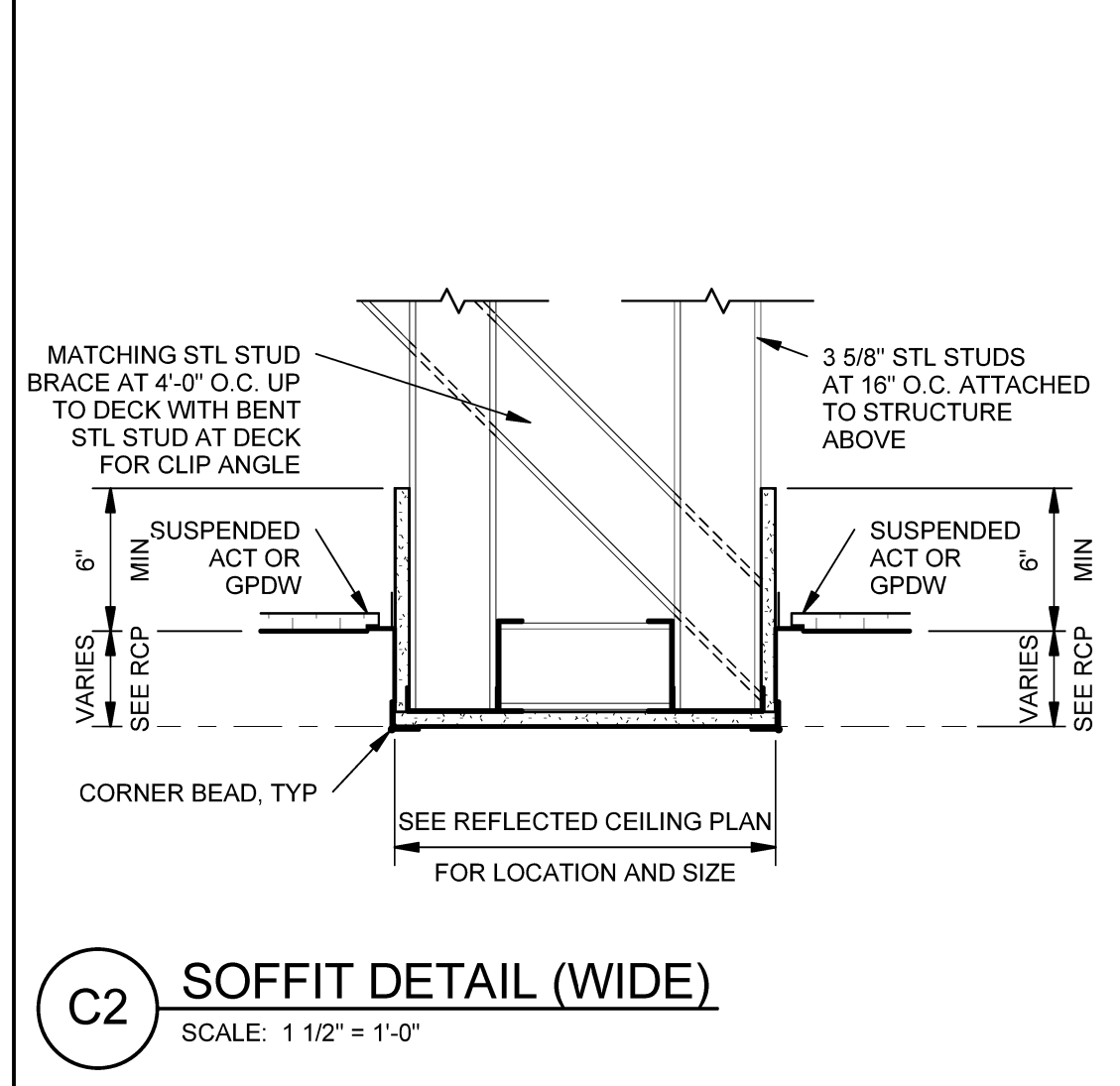
CARPET TO PORCELAIN TILE FLOORING



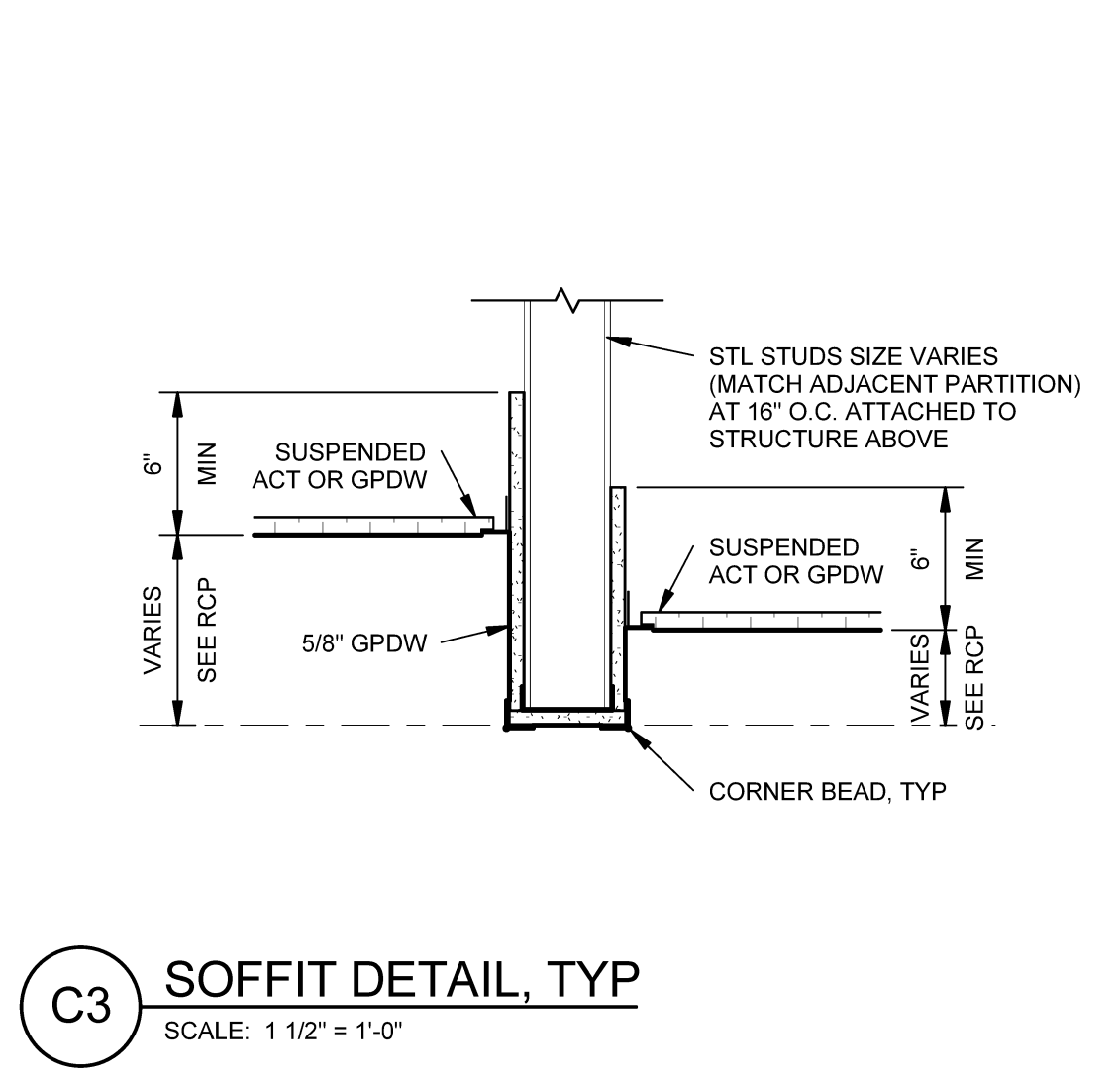
CARPET TO RESILIENT FLOORING



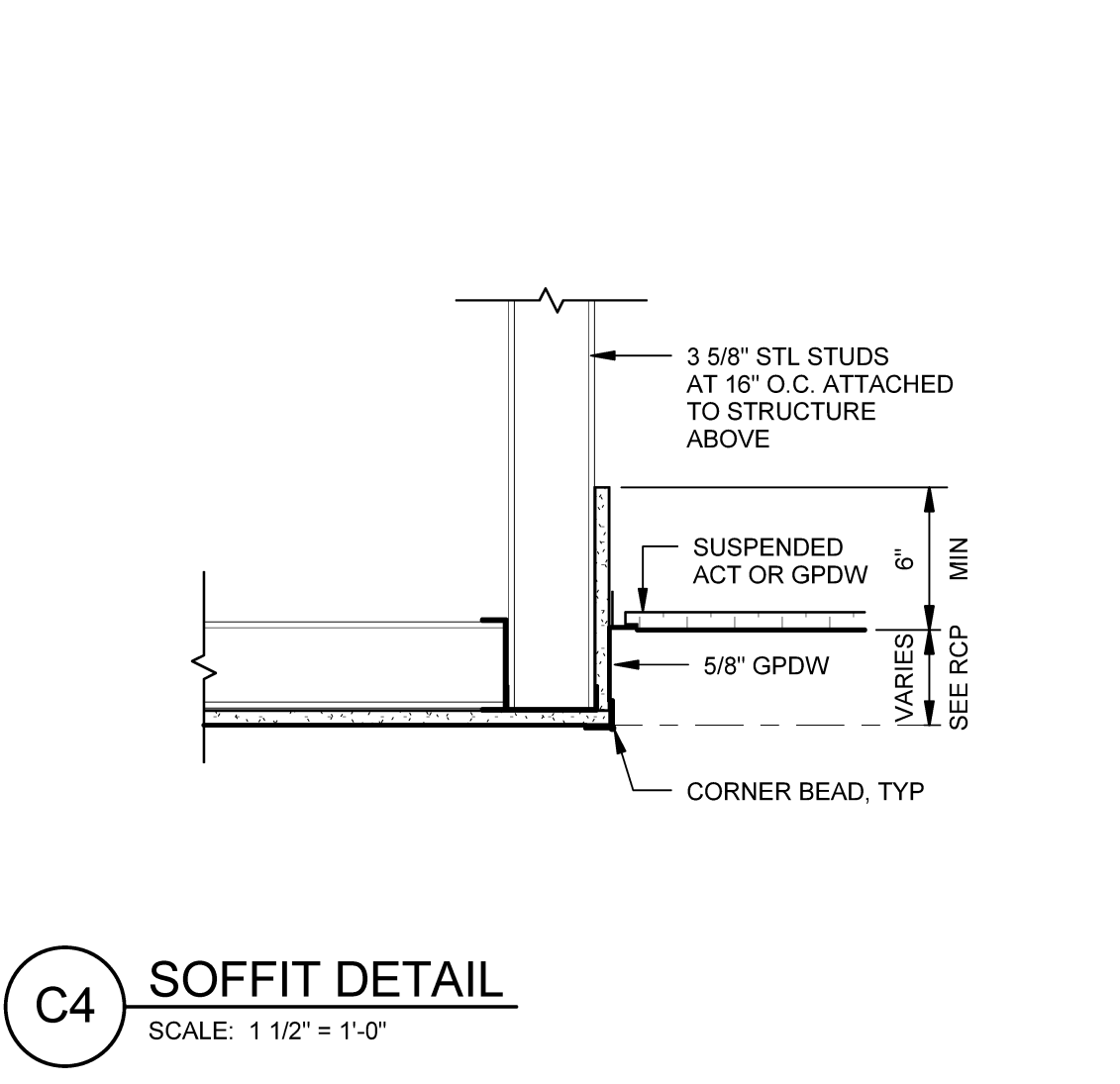
C1 TILE TRIM DETAIL SCALE: 3" = 1'-0"



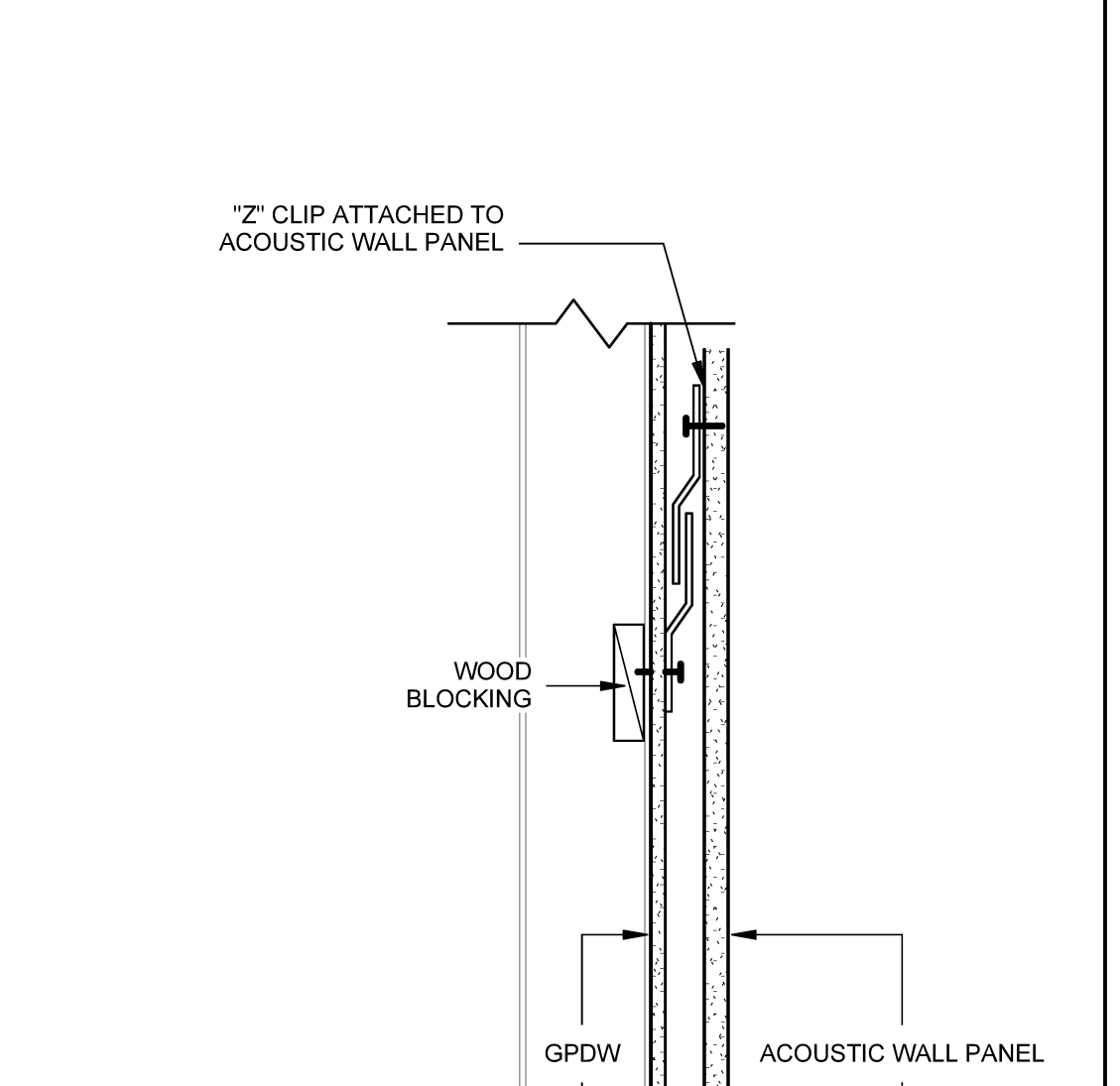
C2 SOFFIT DETAIL (WIDE) SCALE: 1 1/2" = 1'-0"



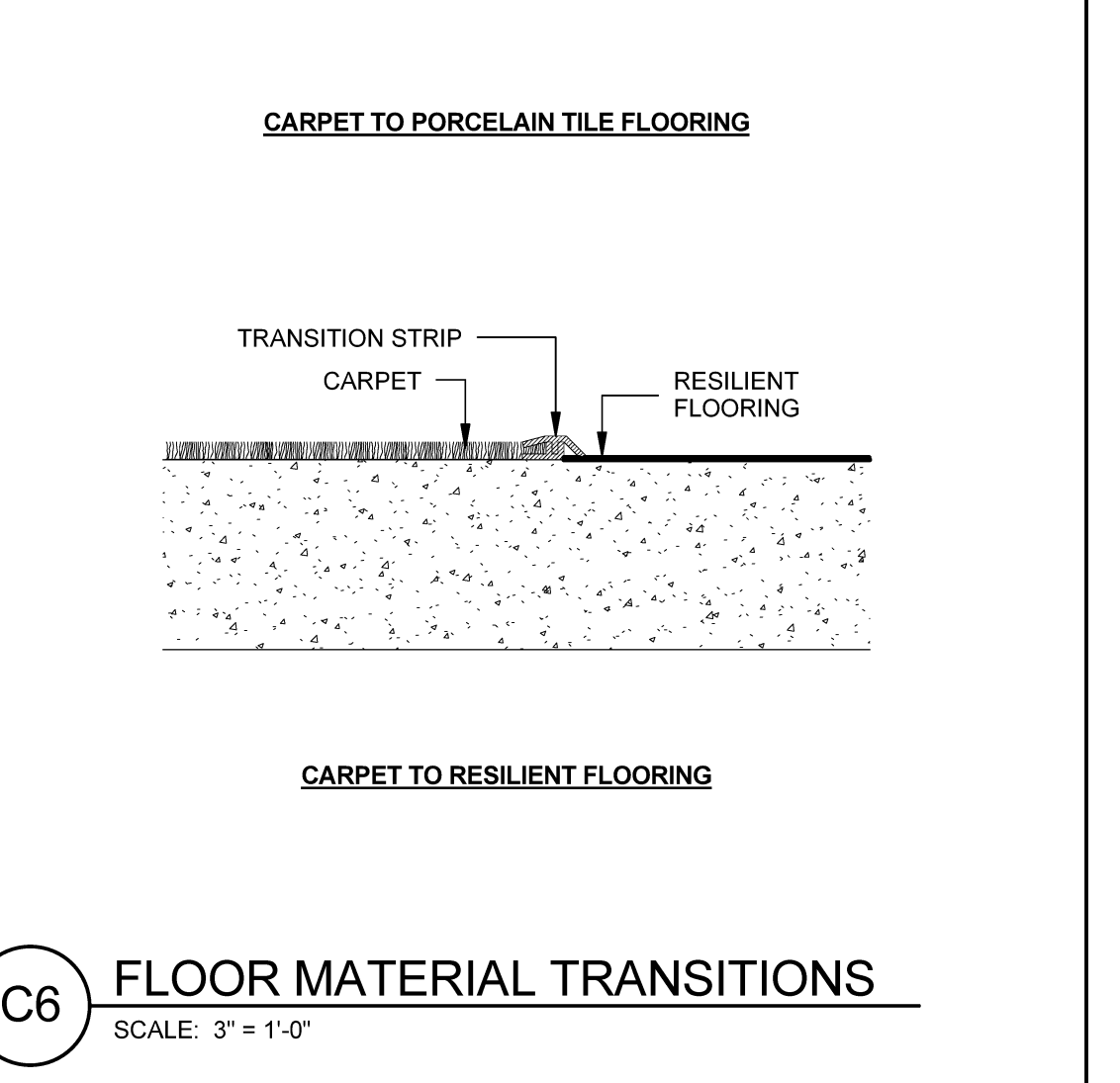
C3 SOFFIT DETAIL, TYP SCALE: 1 1/2" = 1'-0"



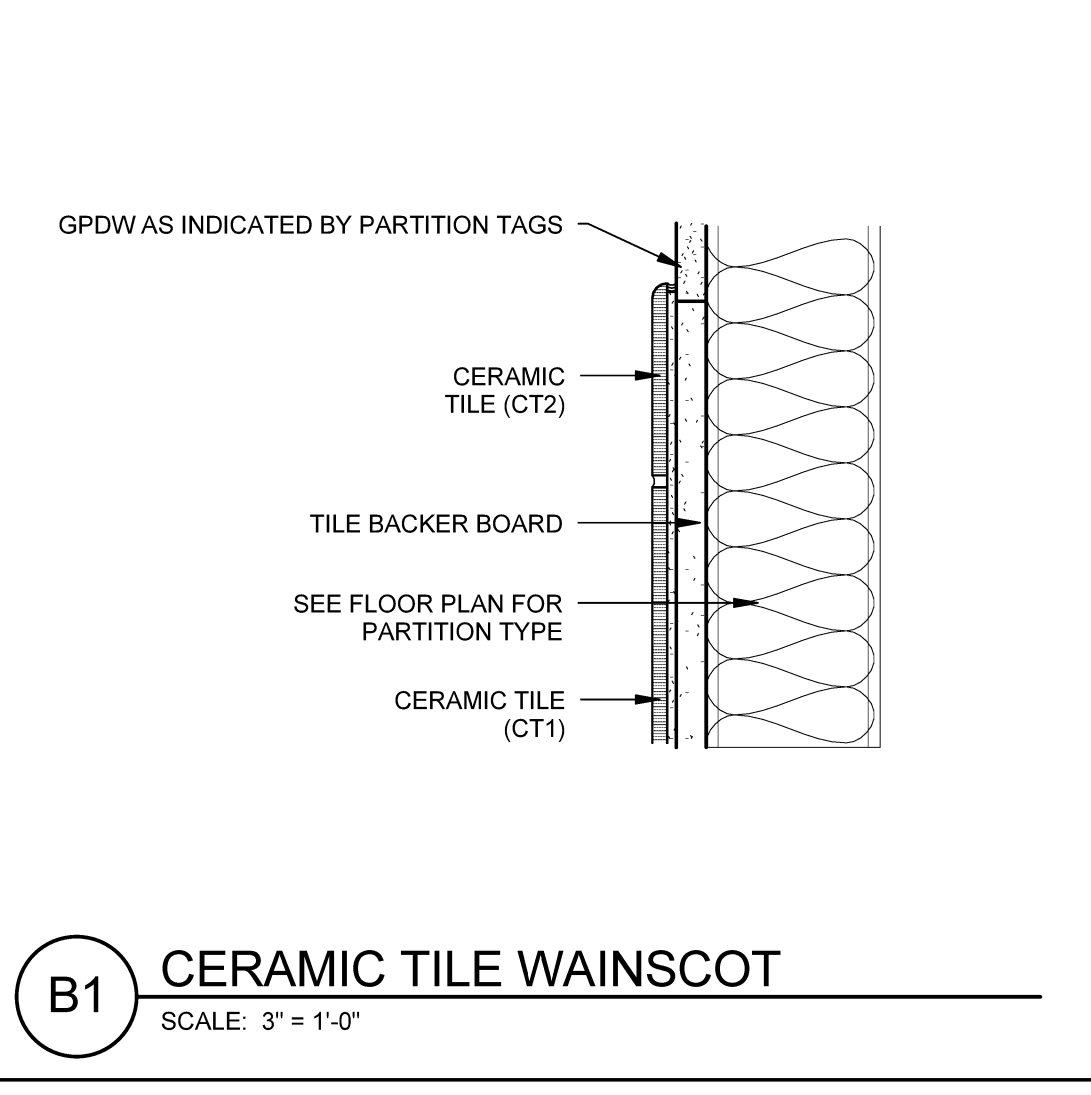
C4 SOFFIT DETAIL SCALE: 1 1/2" = 1'-0"



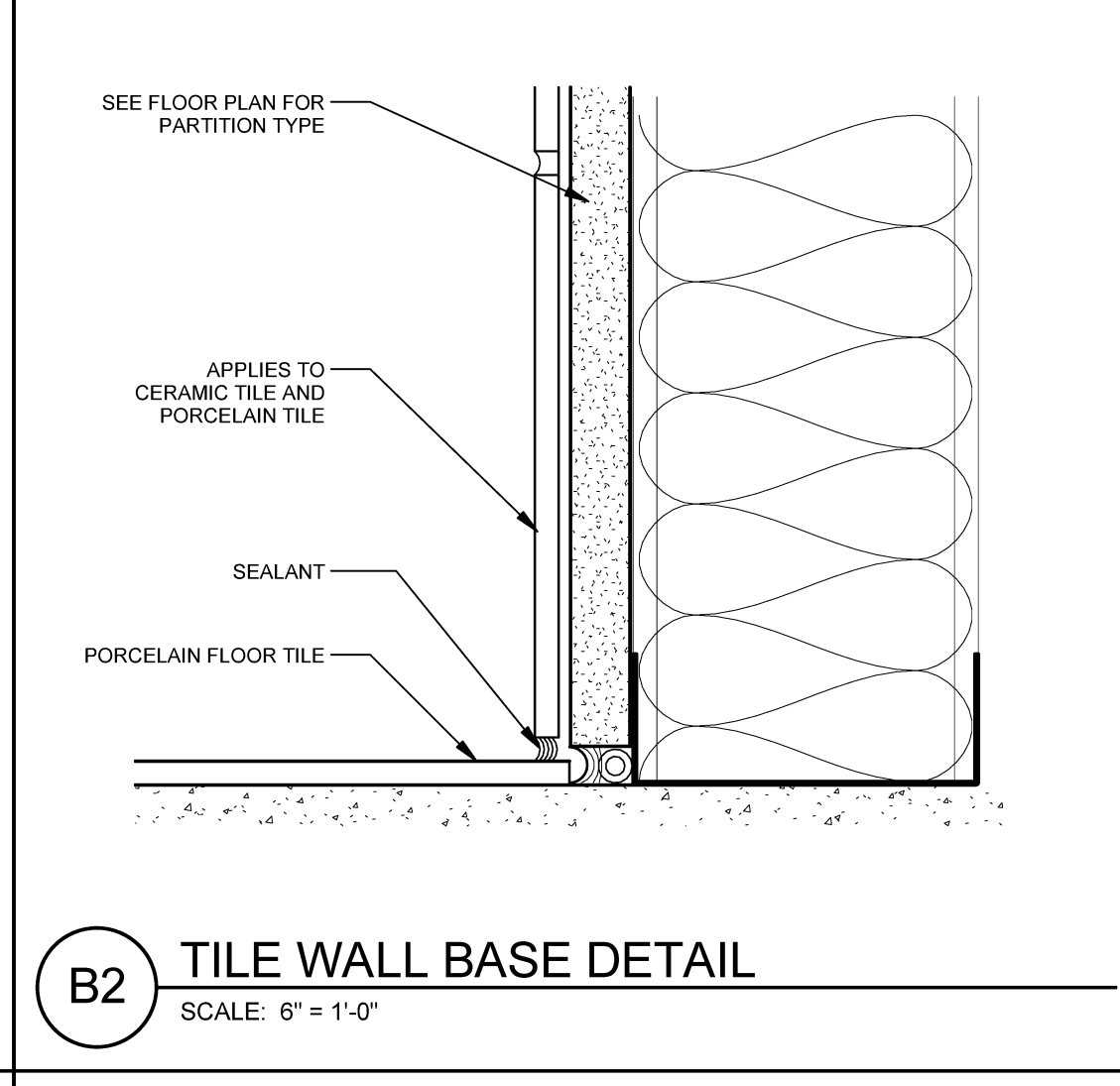
C6 FLOOR MATERIAL TRANSITIONS SCALE: 3" = 1'-0"



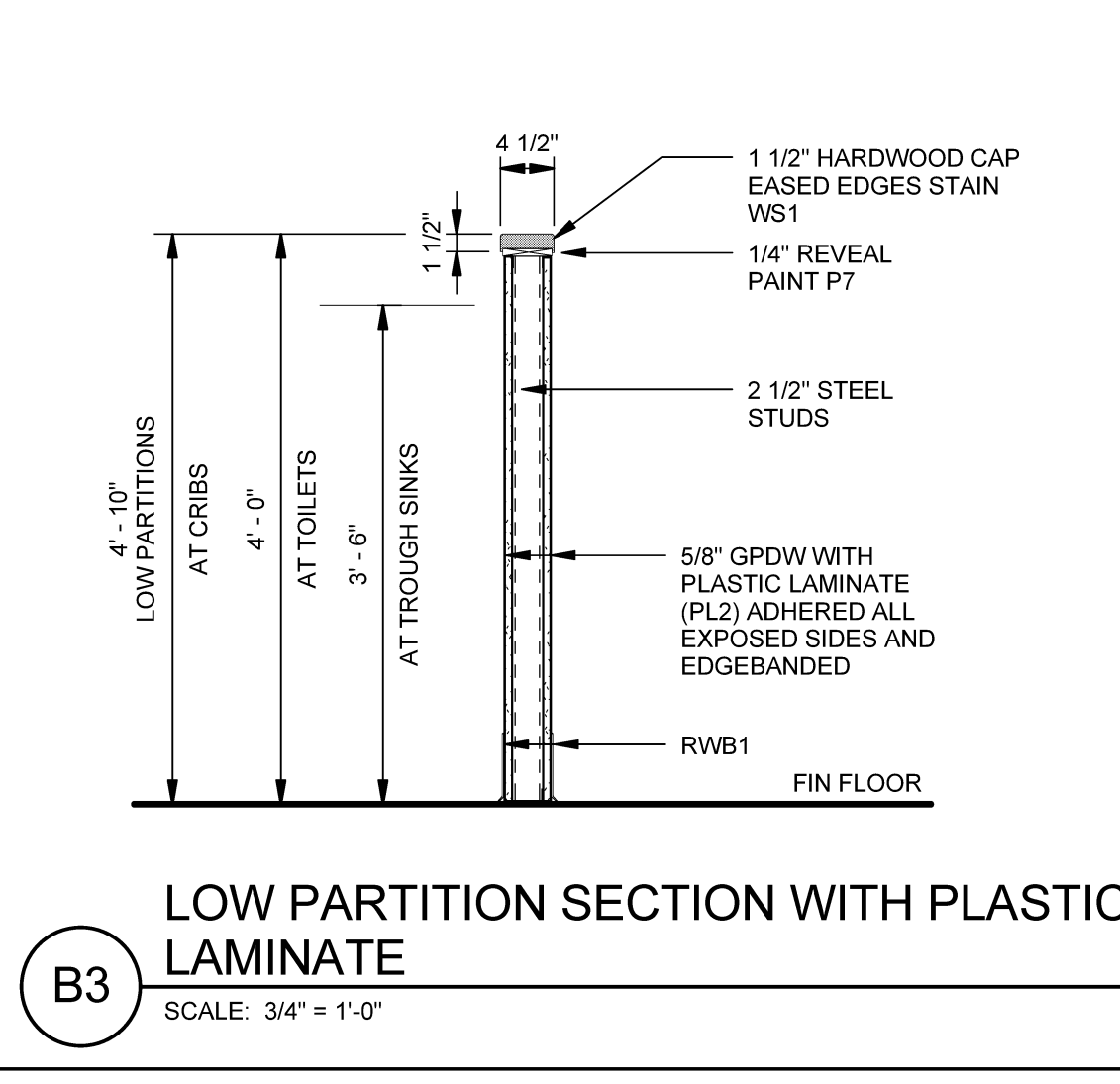
SHOWER TRANSITION DETAIL SCALE: 3" = 1'-0"



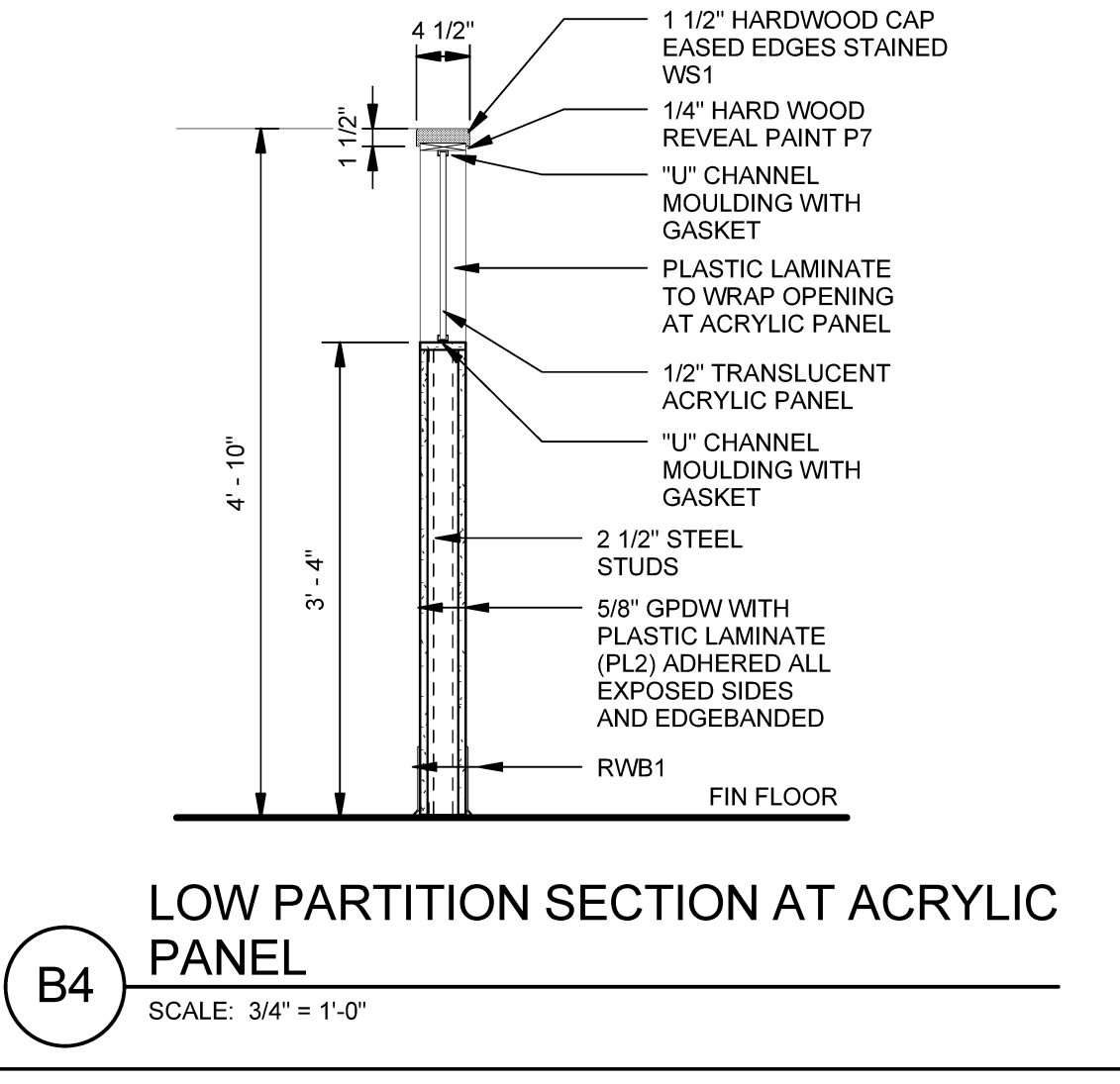
B1 CERAMIC TILE WAINSCOT SCALE: 3" = 1'-0"



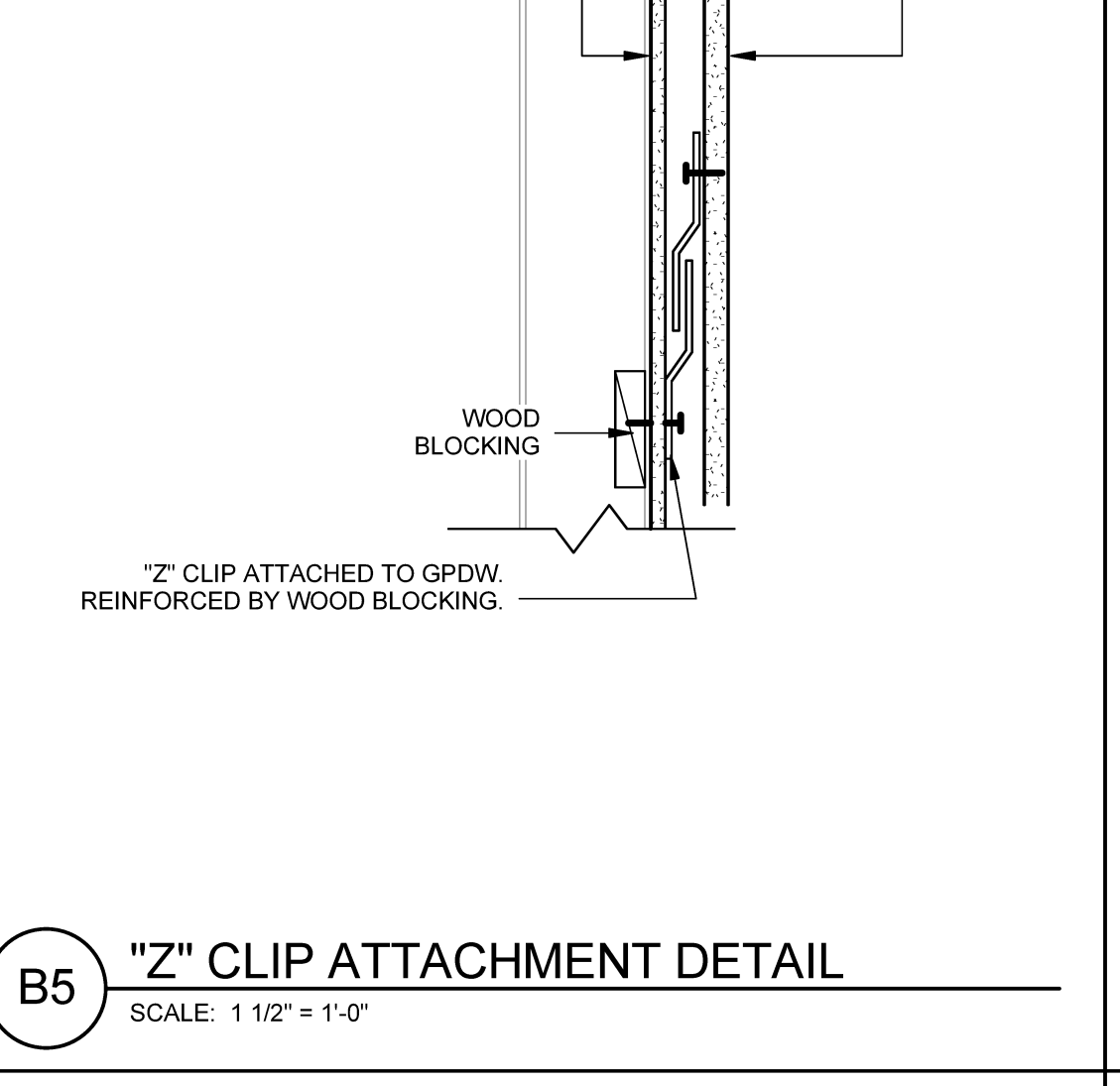
B2 TILE WALL BASE DETAIL SCALE: 6" = 1'-0"



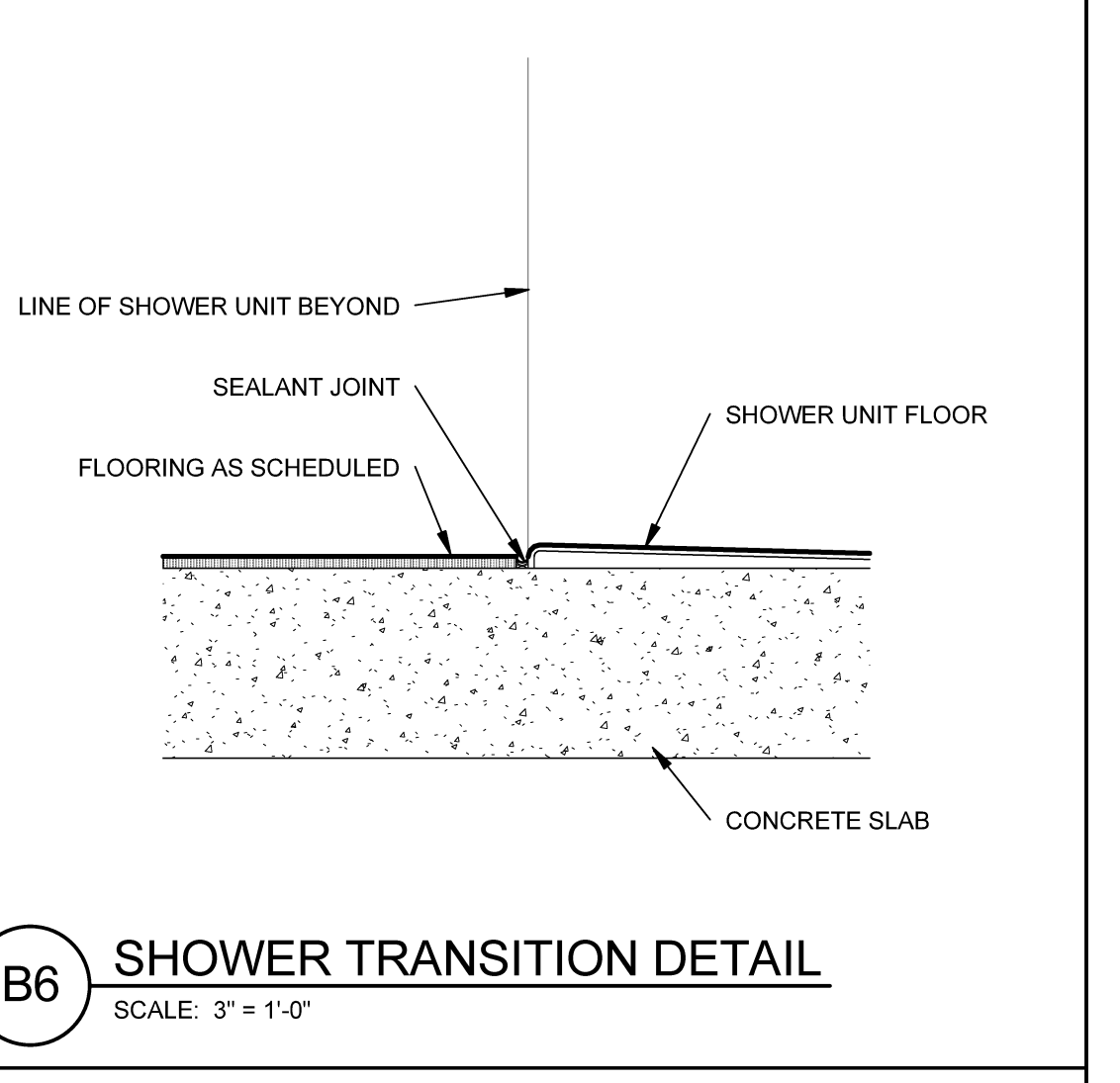
B3 LOW PARTITION SECTION WITH PLASTIC LAMINATE SCALE: 3/4" = 1'-0"



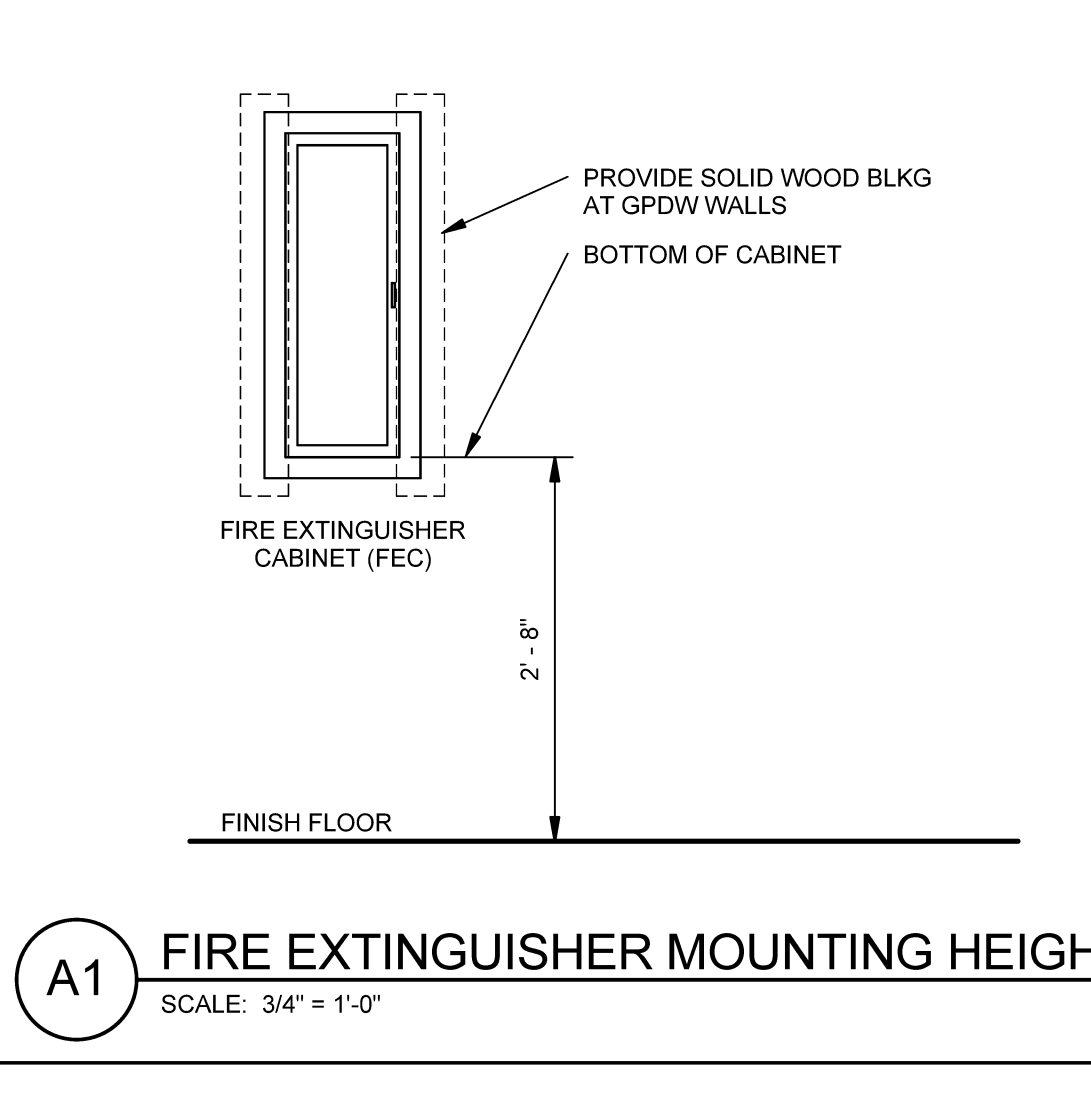
B4 LOW PARTITION SECTION AT ACRYLIC PANEL SCALE: 3/4" = 1'-0"



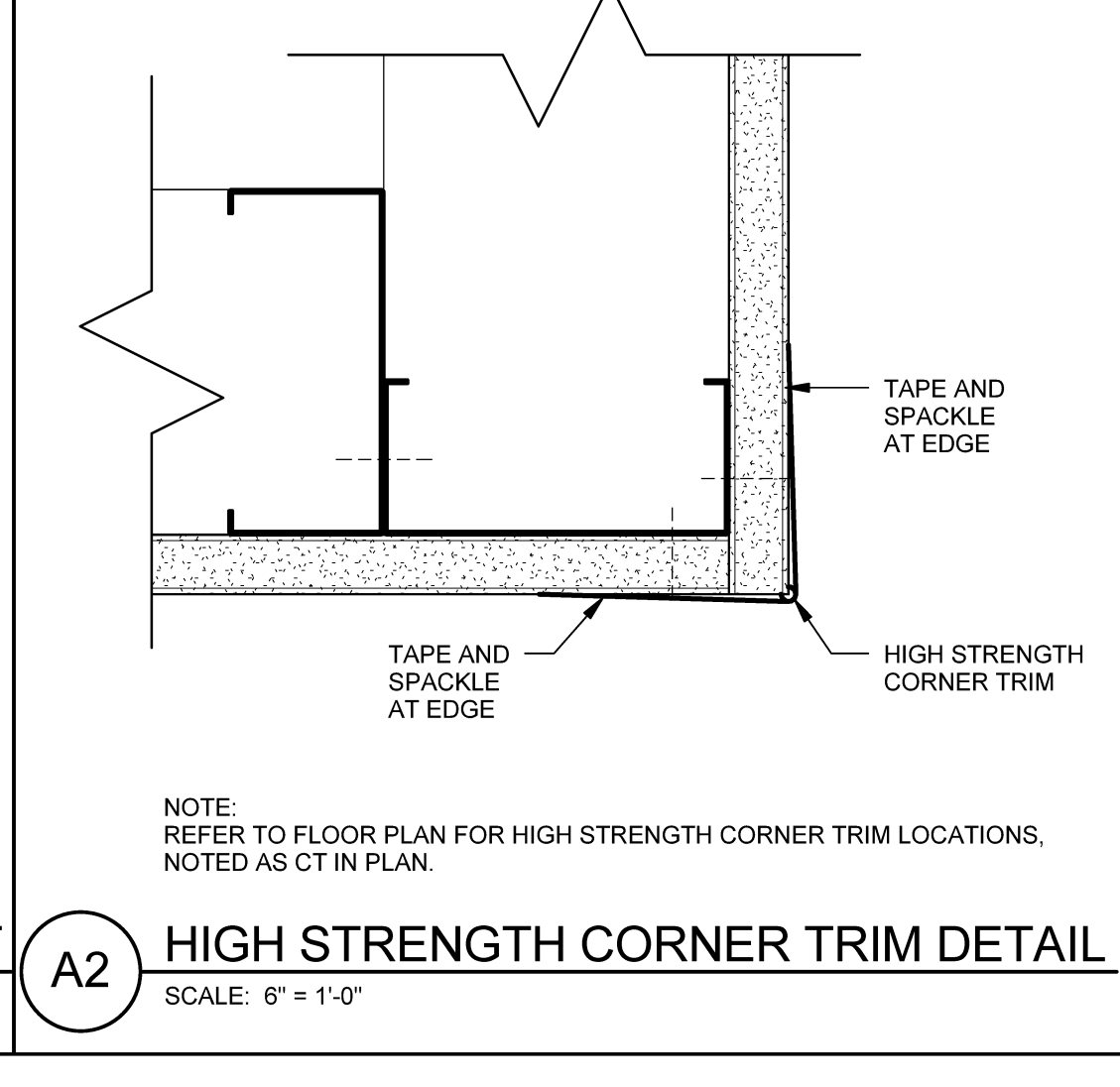
B5 'Z' CLIP ATTACHMENT DETAIL SCALE: 1 1/2" = 1'-0"



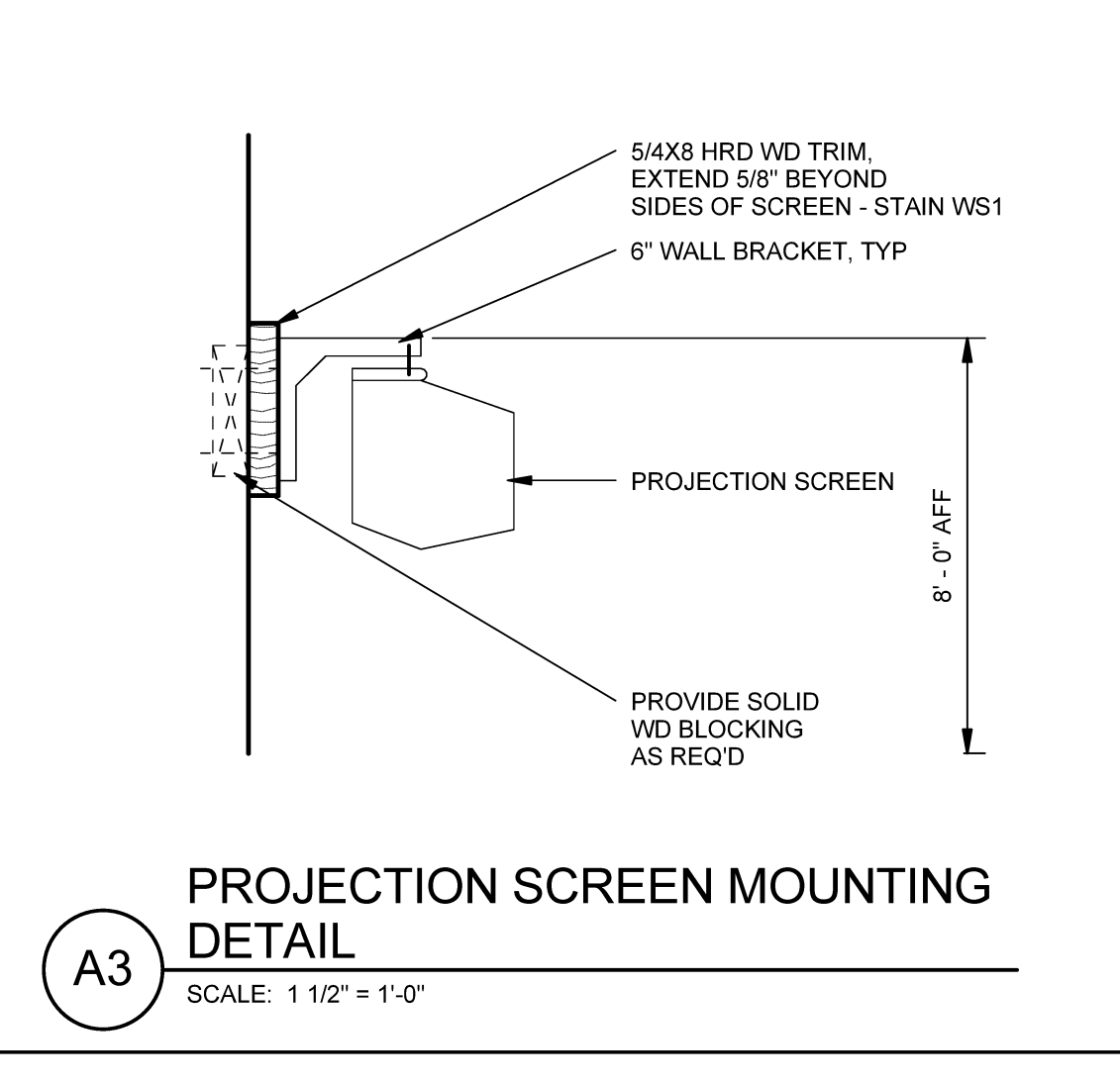
B6 SHOWER TRANSITION DETAIL SCALE: 3" = 1'-0"



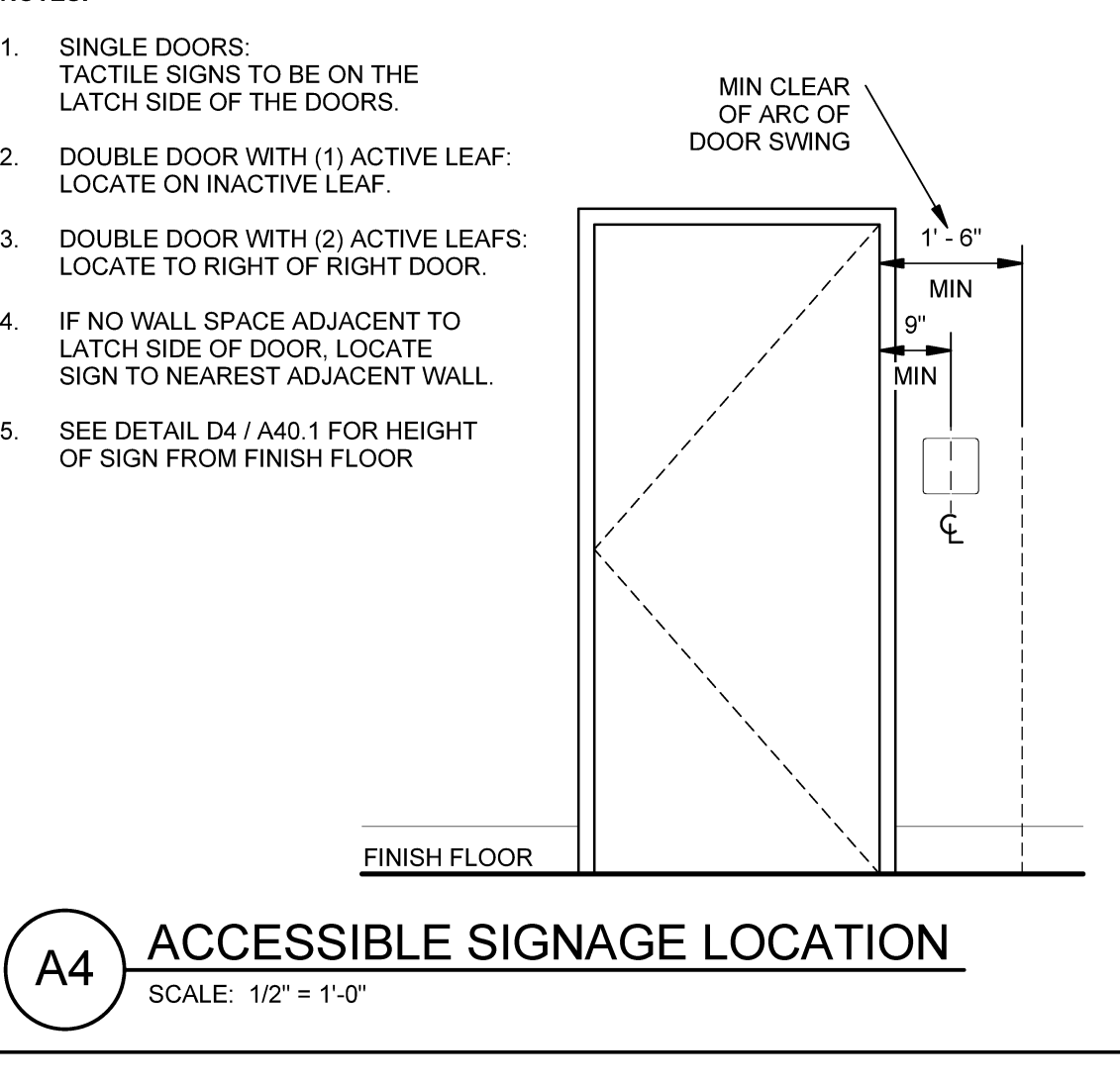
A1 FIRE EXTINGUISHER MOUNTING HEIGHT SCALE: 3/4" = 1'-0"



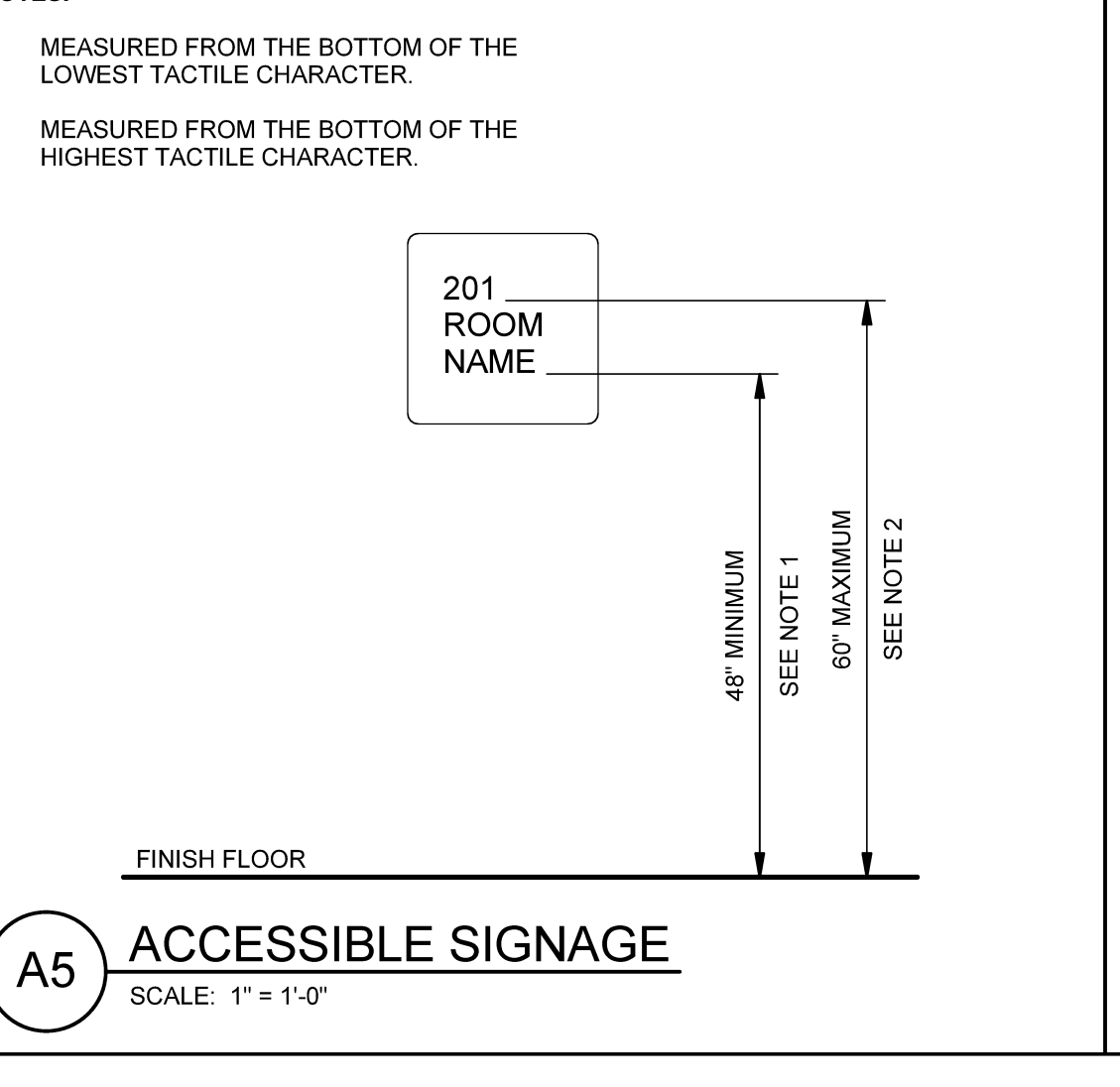
A2 HIGH STRENGTH CORNER TRIM DETAIL SCALE: 6" = 1'-0"



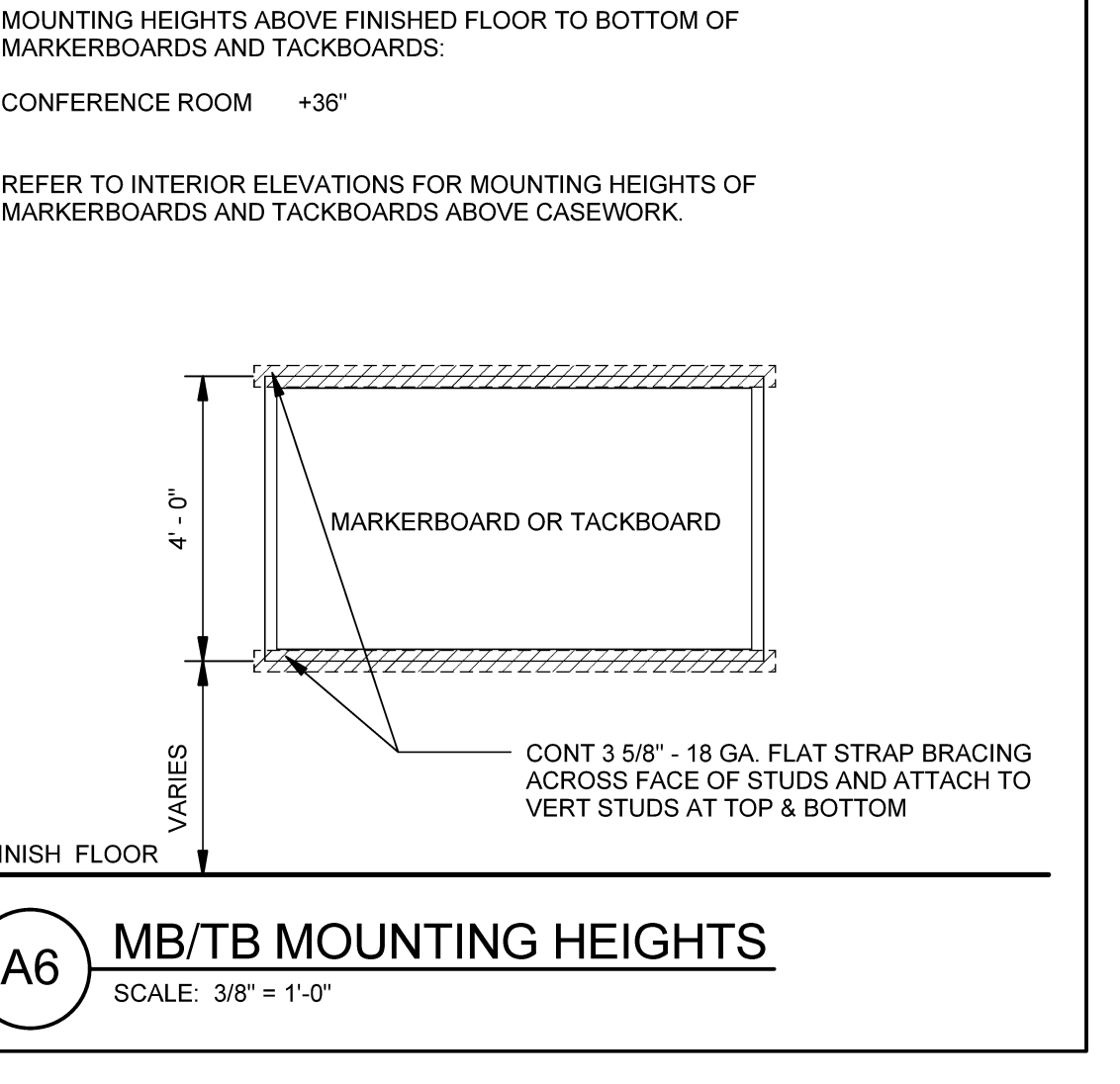
A3 PROJECTION SCREEN MOUNTING DETAIL SCALE: 1 1/2" = 1'-0"



A4 ACCESSIBLE SIGNAGE LOCATION SCALE: 1/2" = 1'-0"

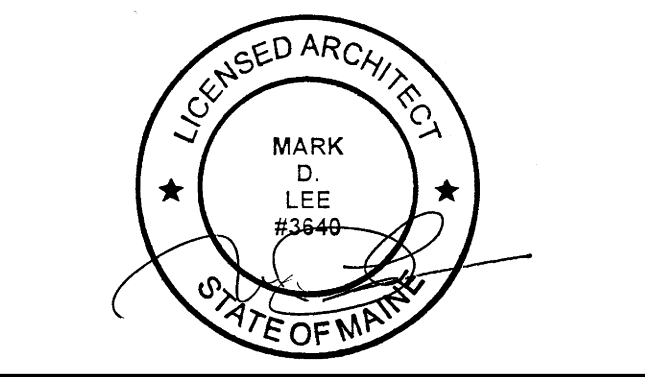


A5 ACCESSIBLE SIGNAGE SCALE: 1" = 1'-0"



A6 MB/TB MOUNTING HEIGHTS SCALE: 3/8" = 1'-0"

Mark	Date	Description
-	03-25-16	CONSTRUCTION DOCUMENTS
1	04-15-16	ADDENDUM #1
2	07-22-16	CONFORMANCE SET



Drawing	Scale
As indicated	

STANDARD INTERIOR DETAILS

A80.1

Plot Date: 7/22/2016 2:05:53 PM