



HARRIMAN

AUBURN PORTLAND MANCHESTER

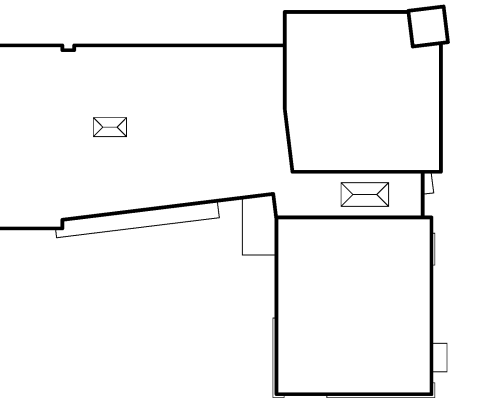
JEWISH COMMUNITY ALLIANCE OF SOUTHERN MAINE

PORTLAND, ME

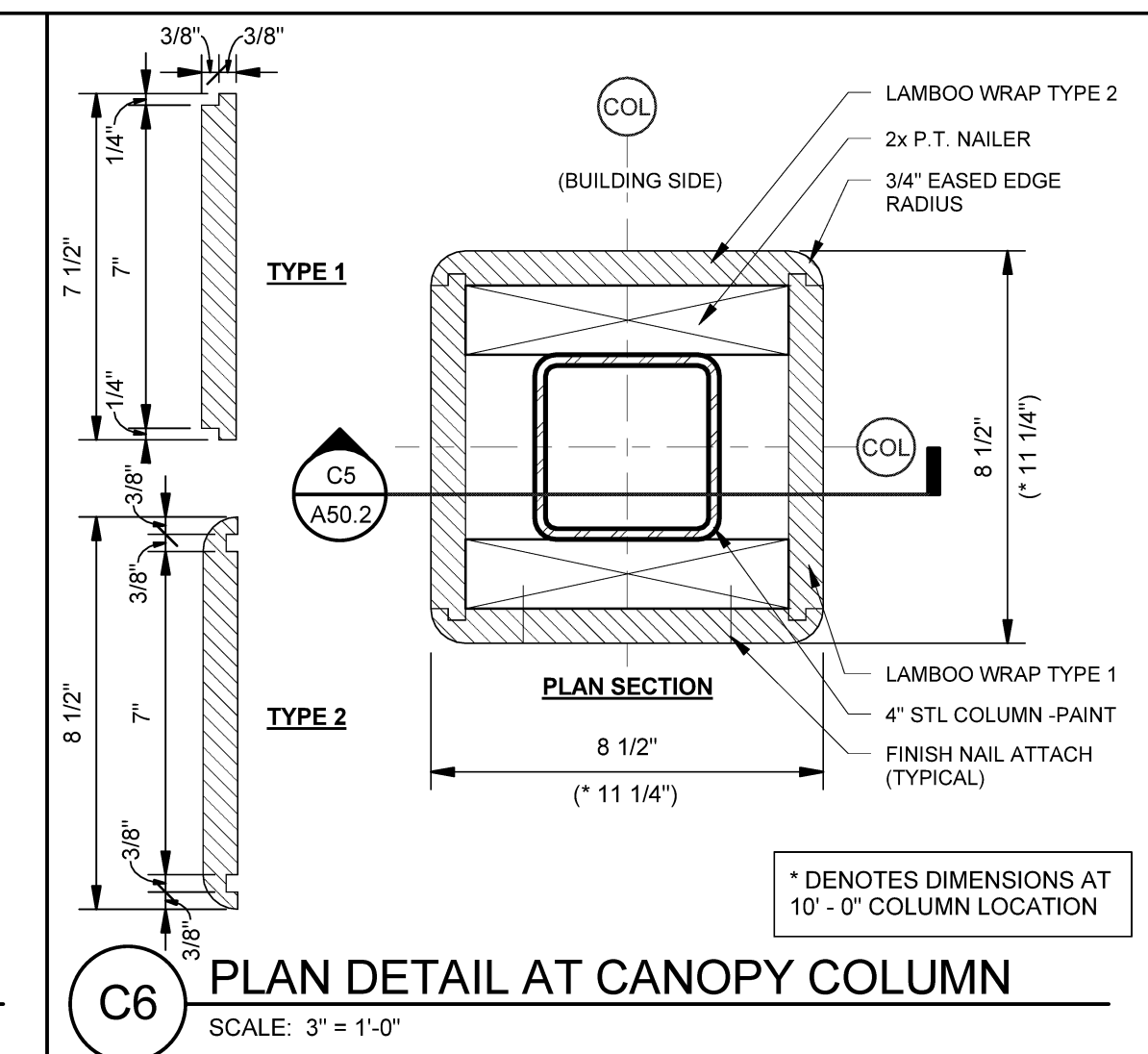
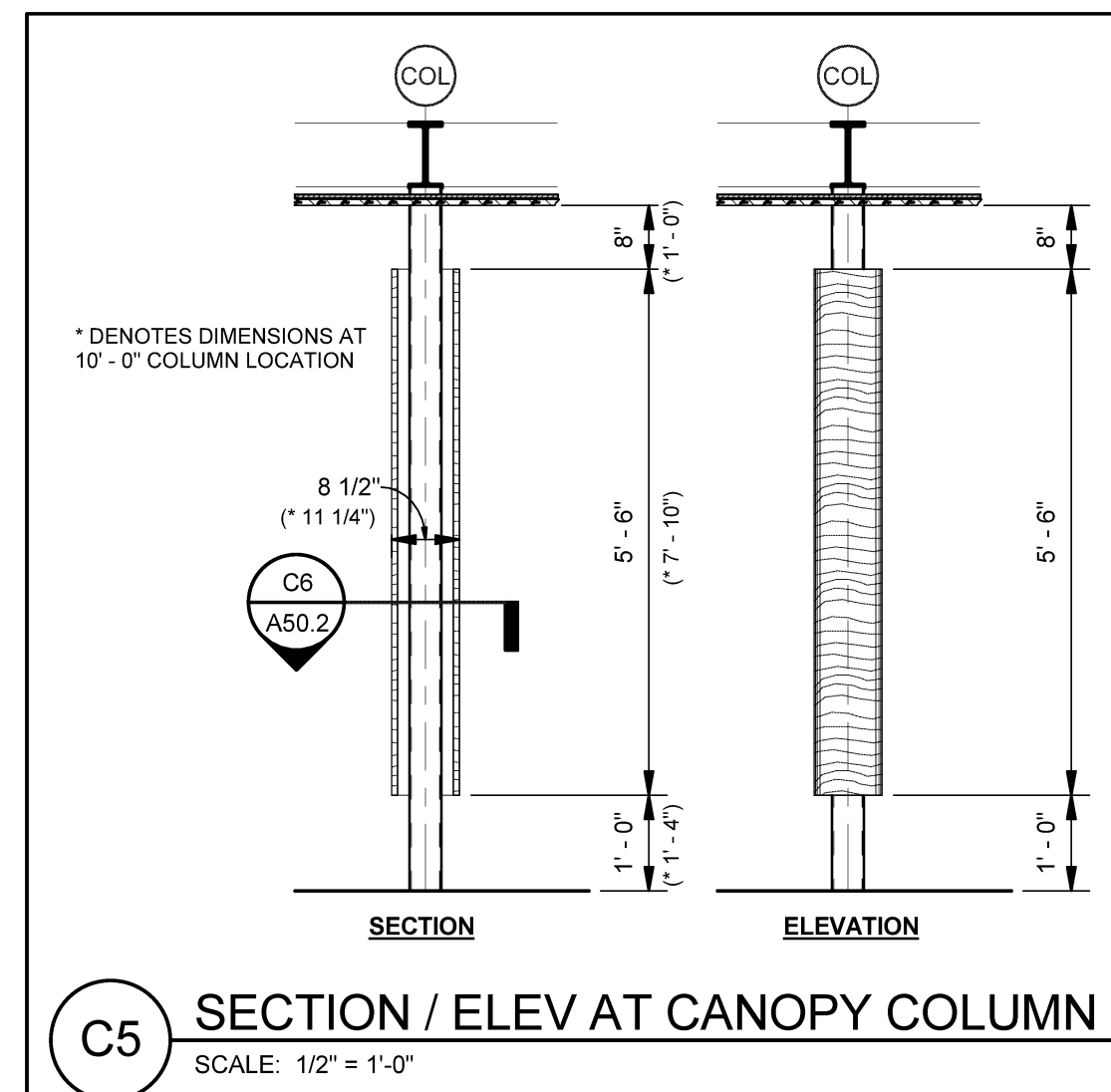
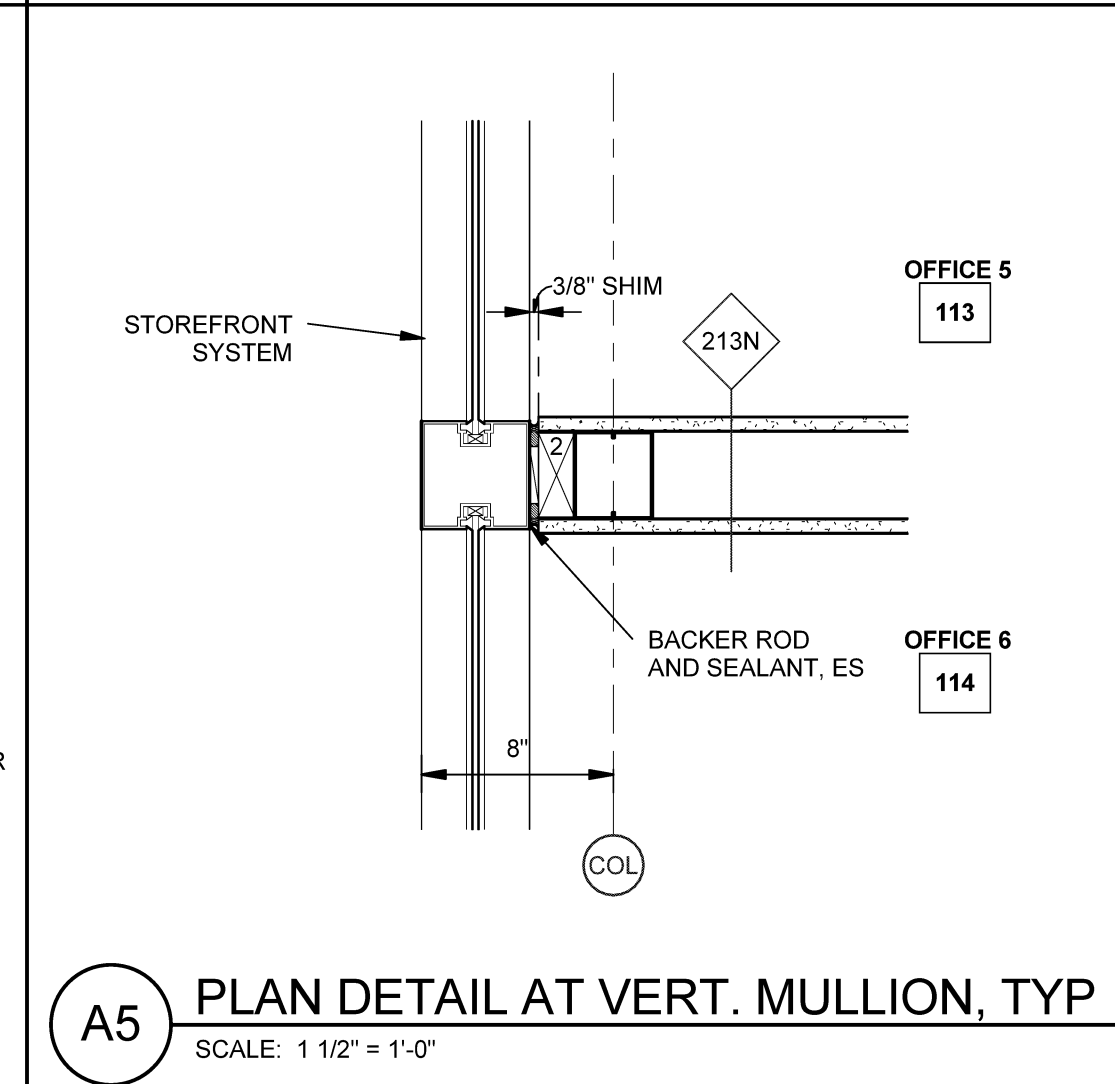
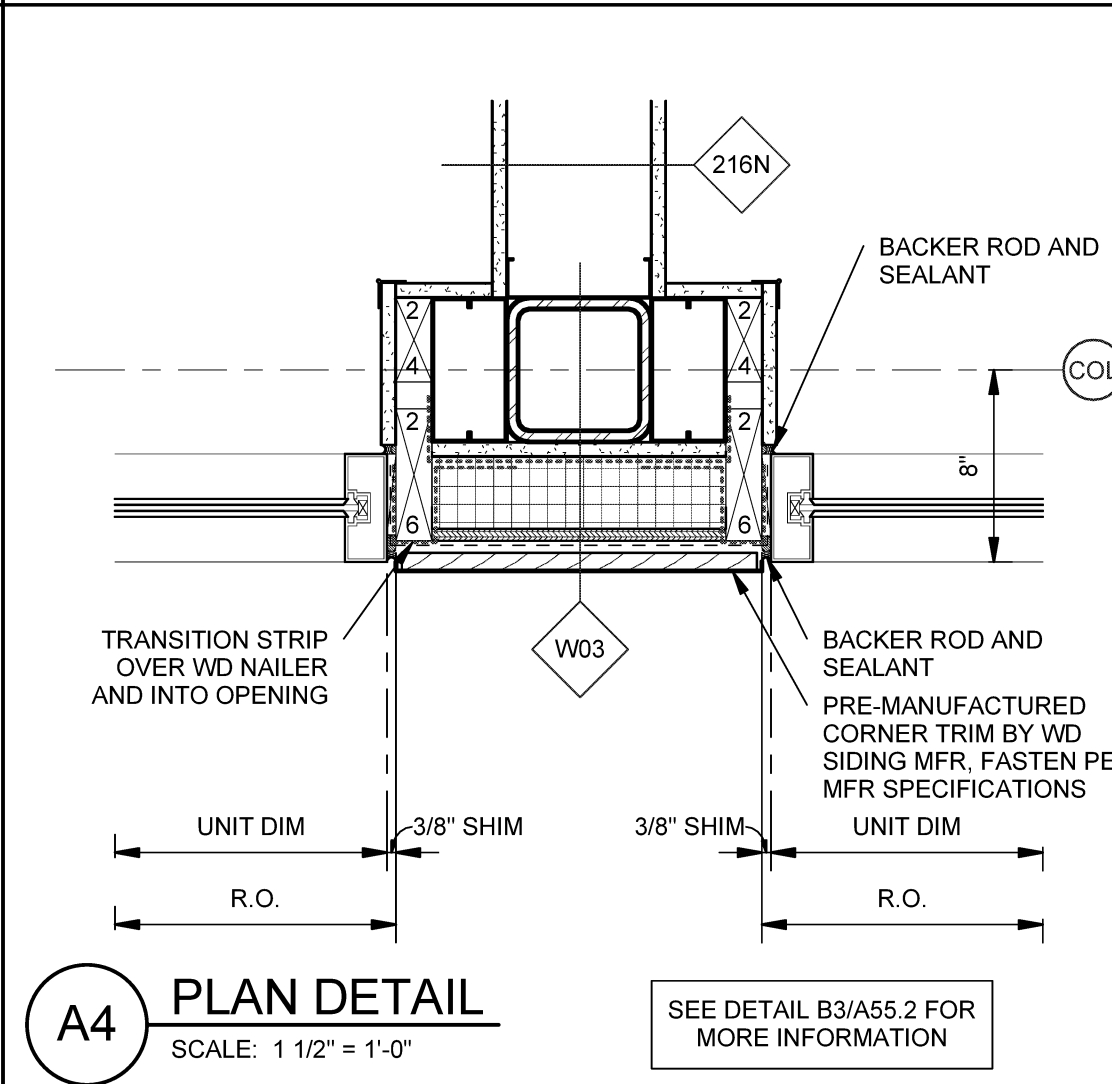
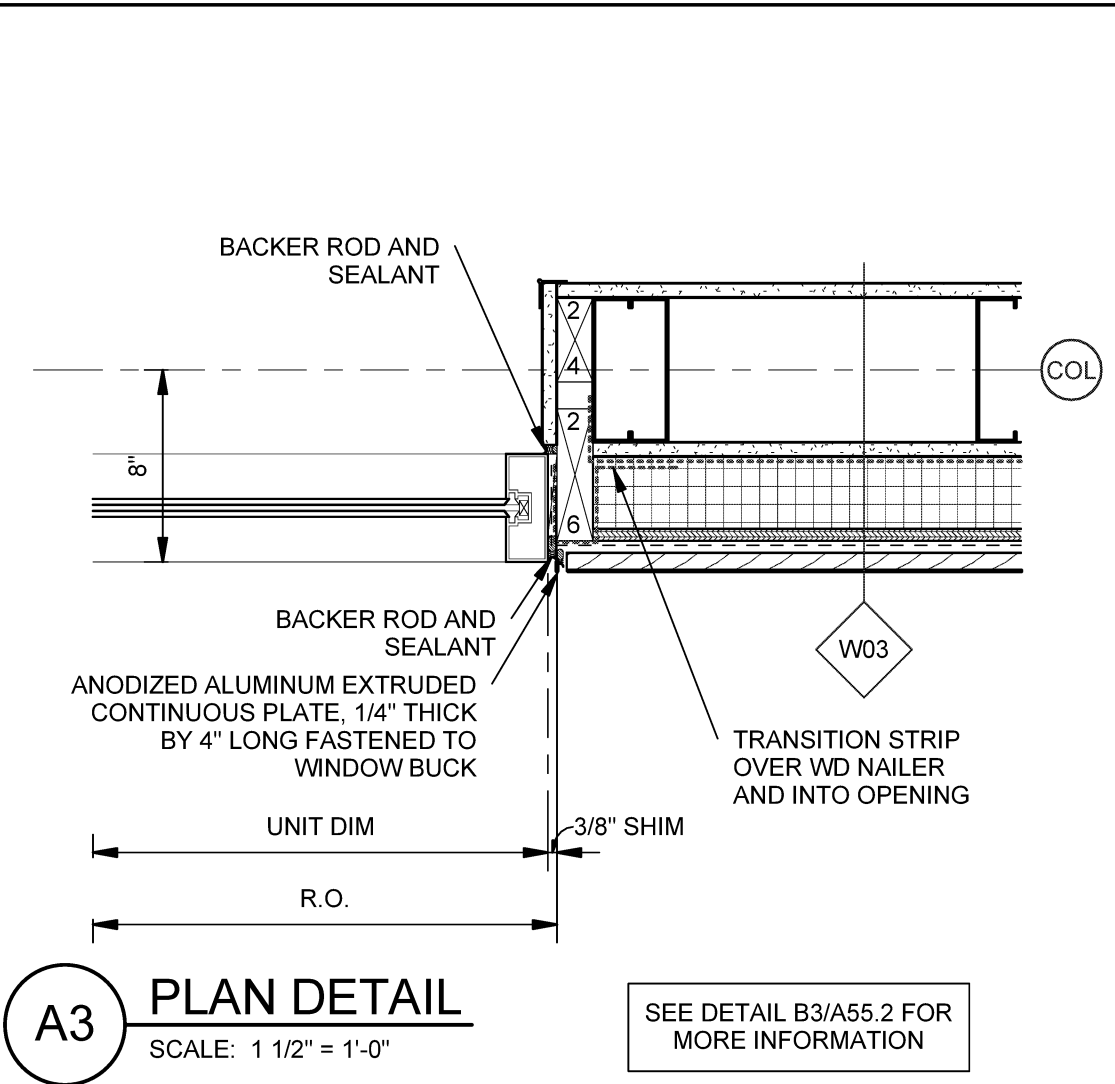
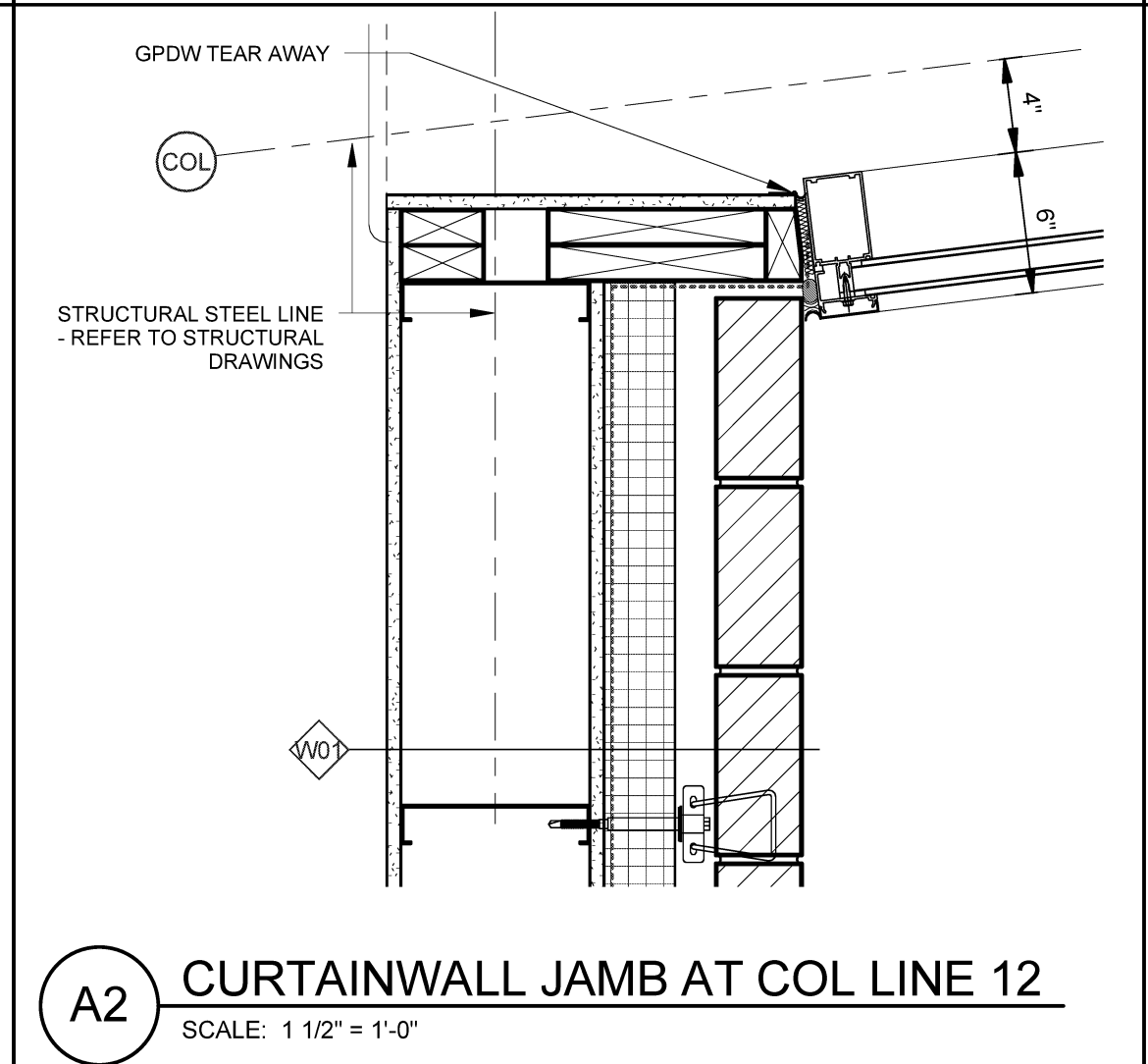
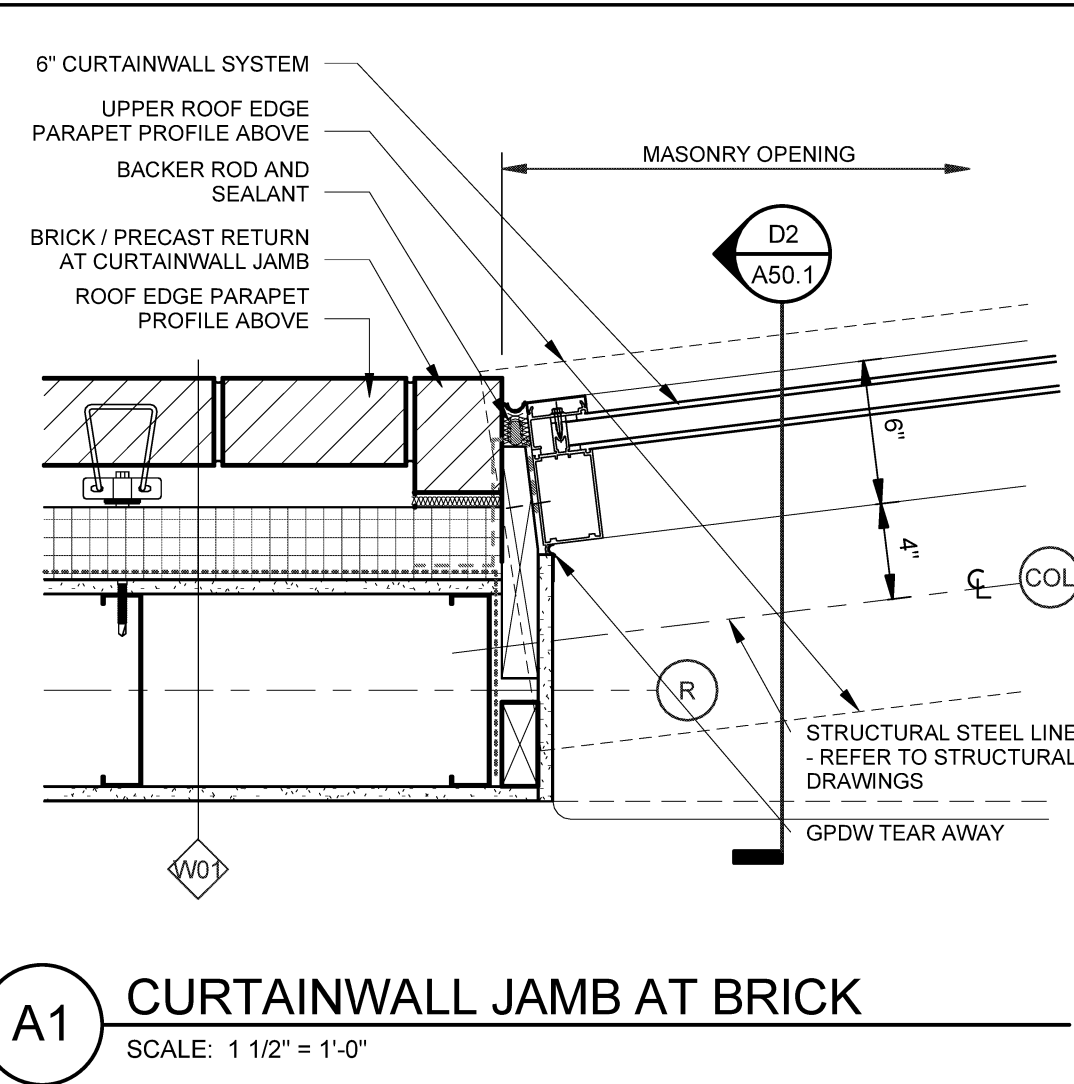
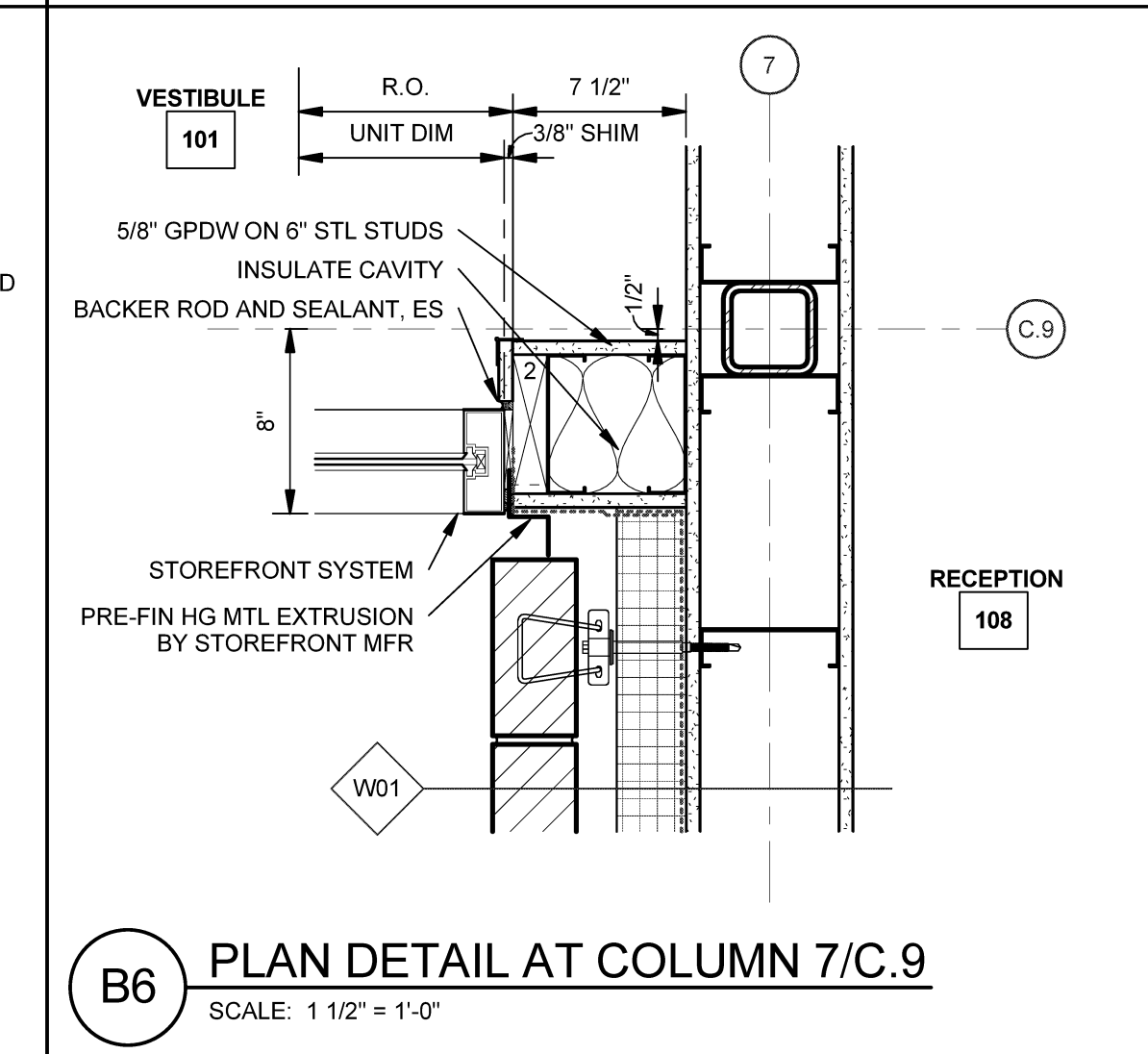
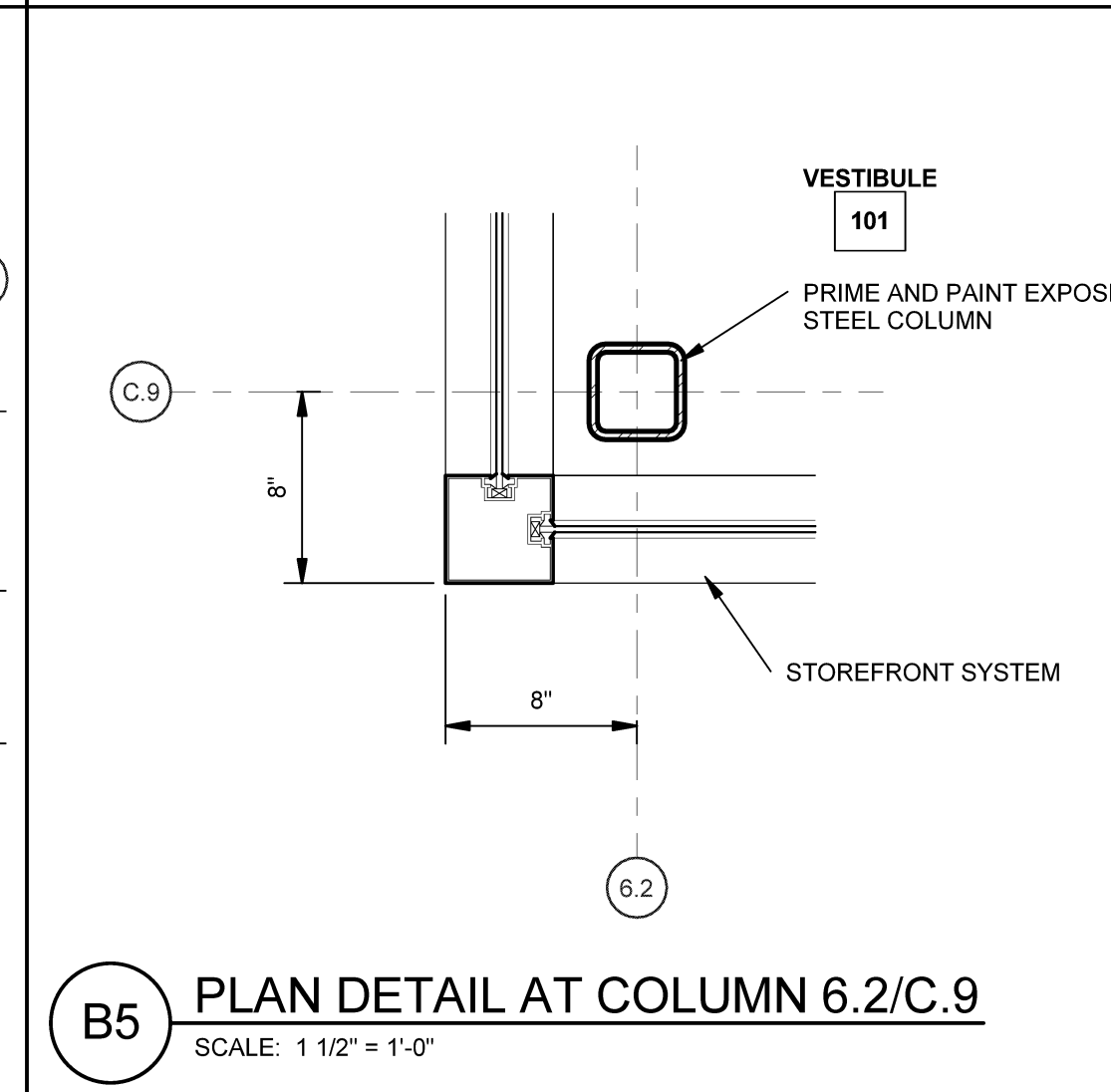
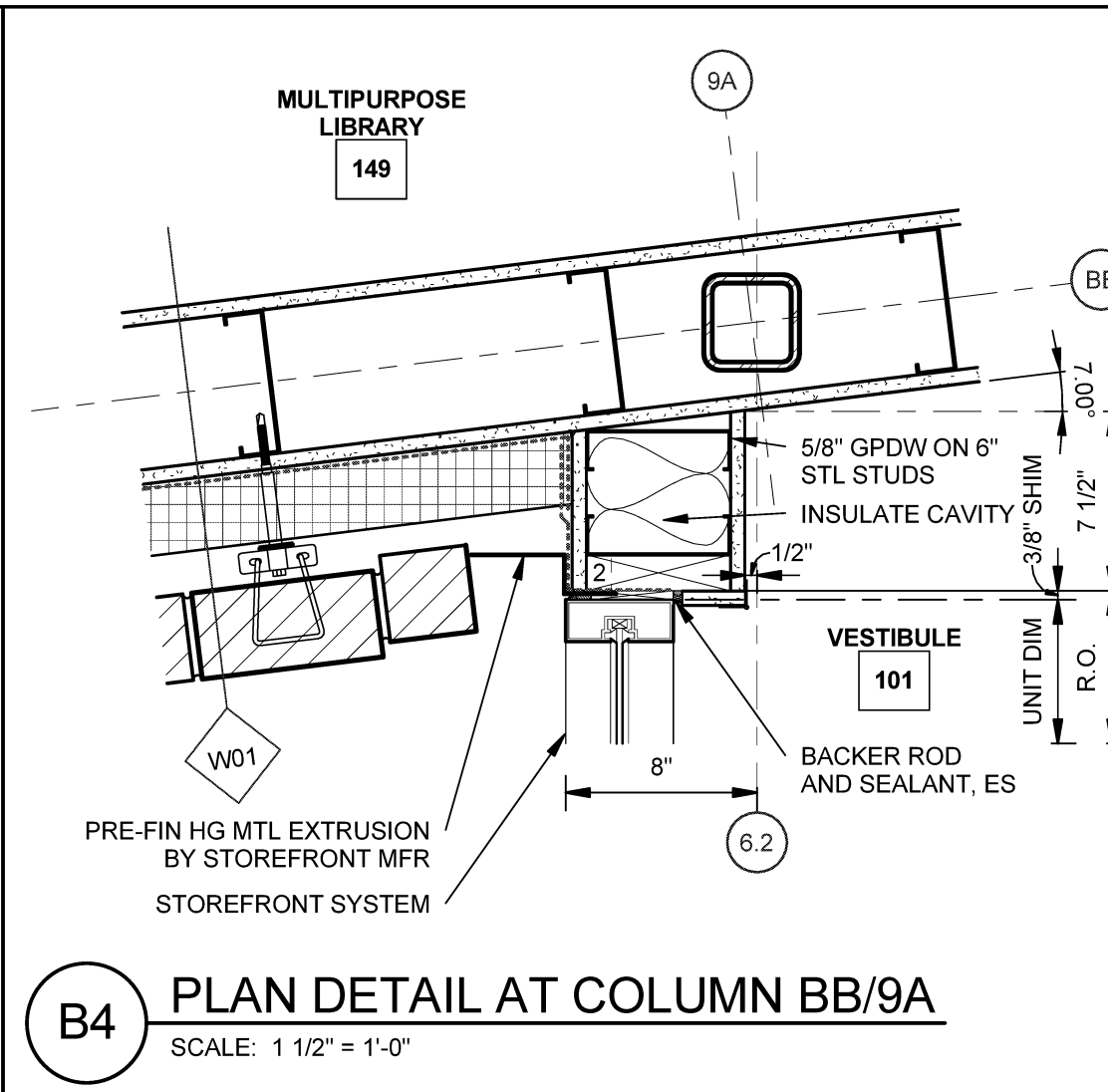
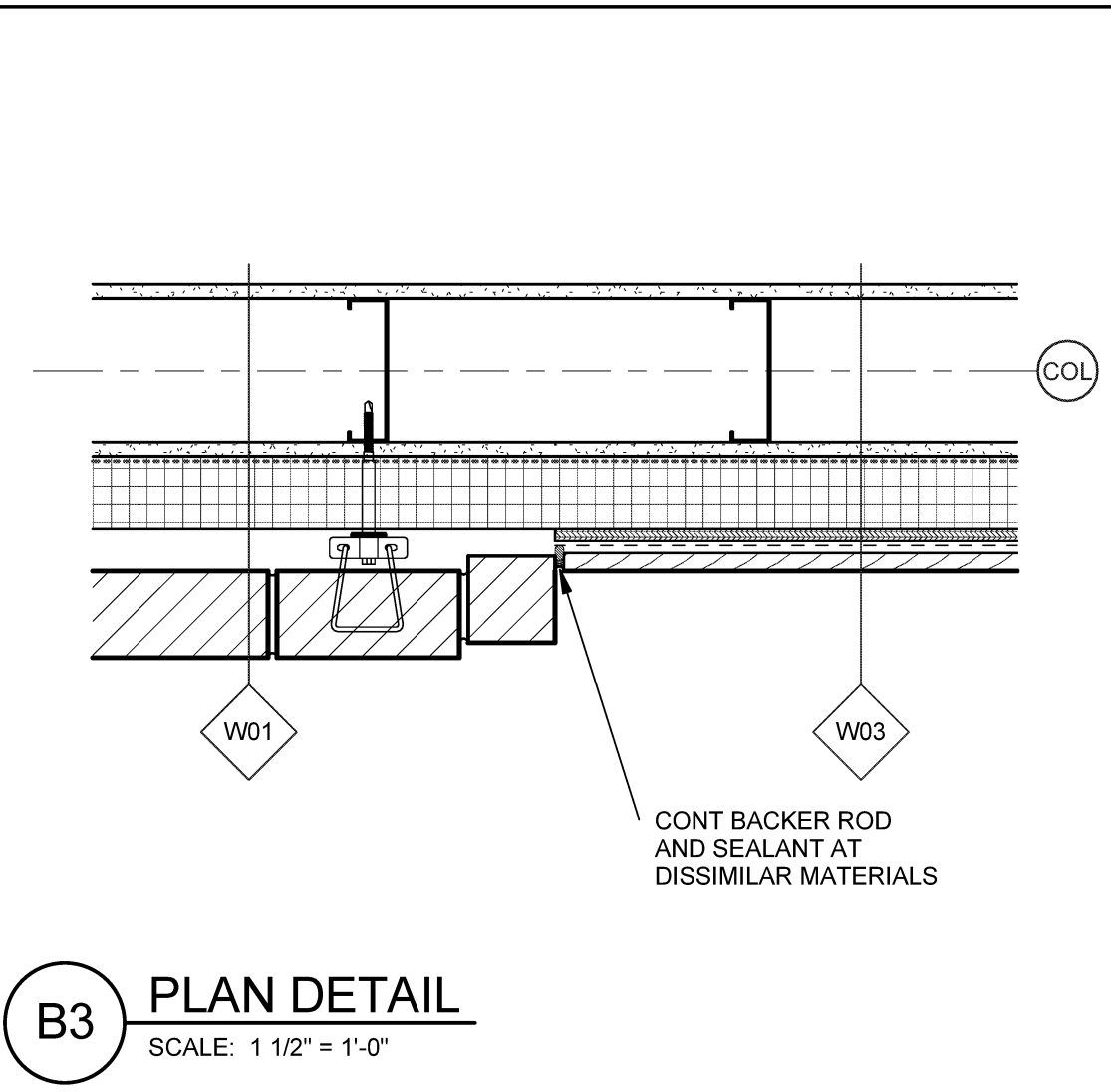
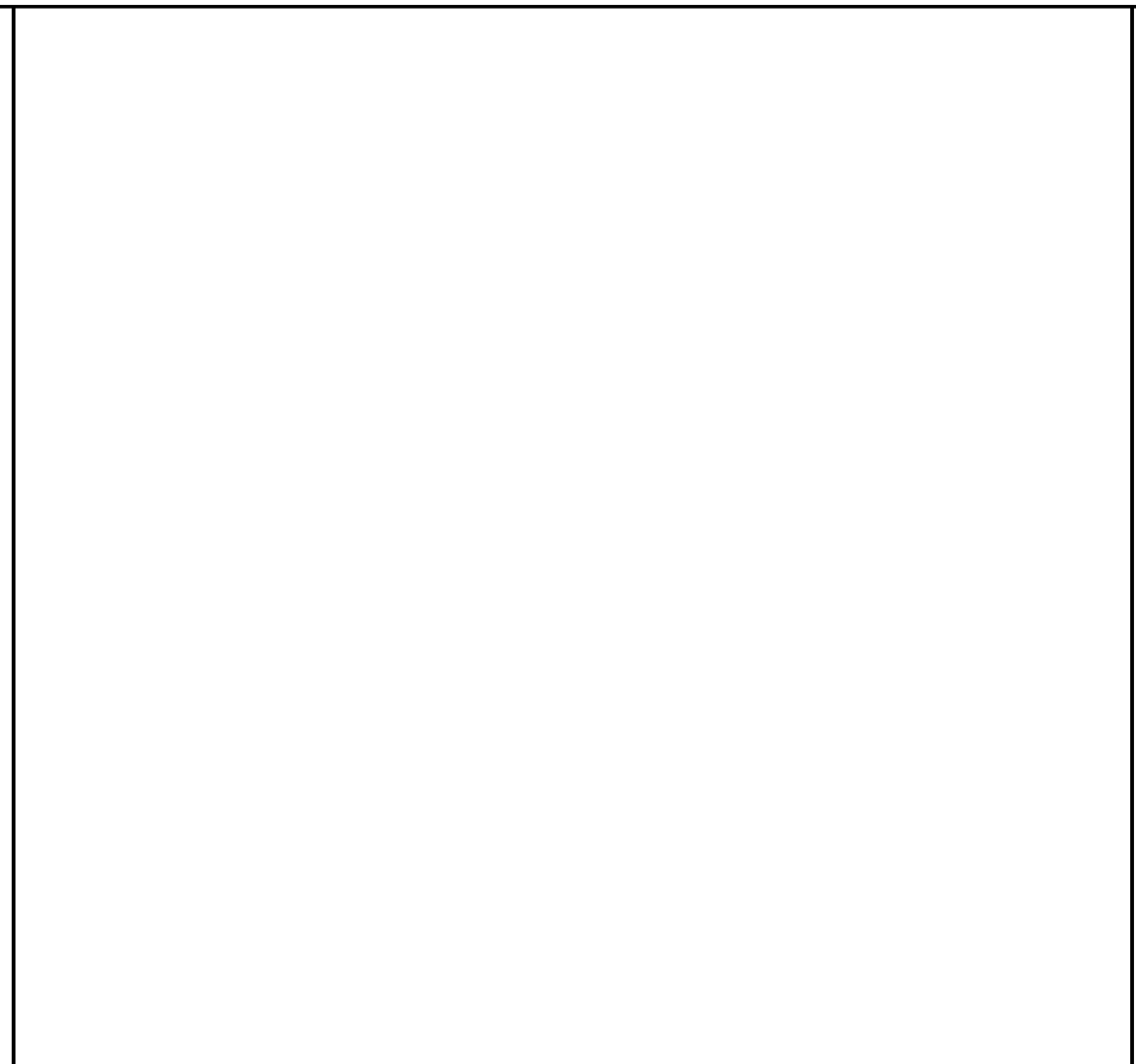
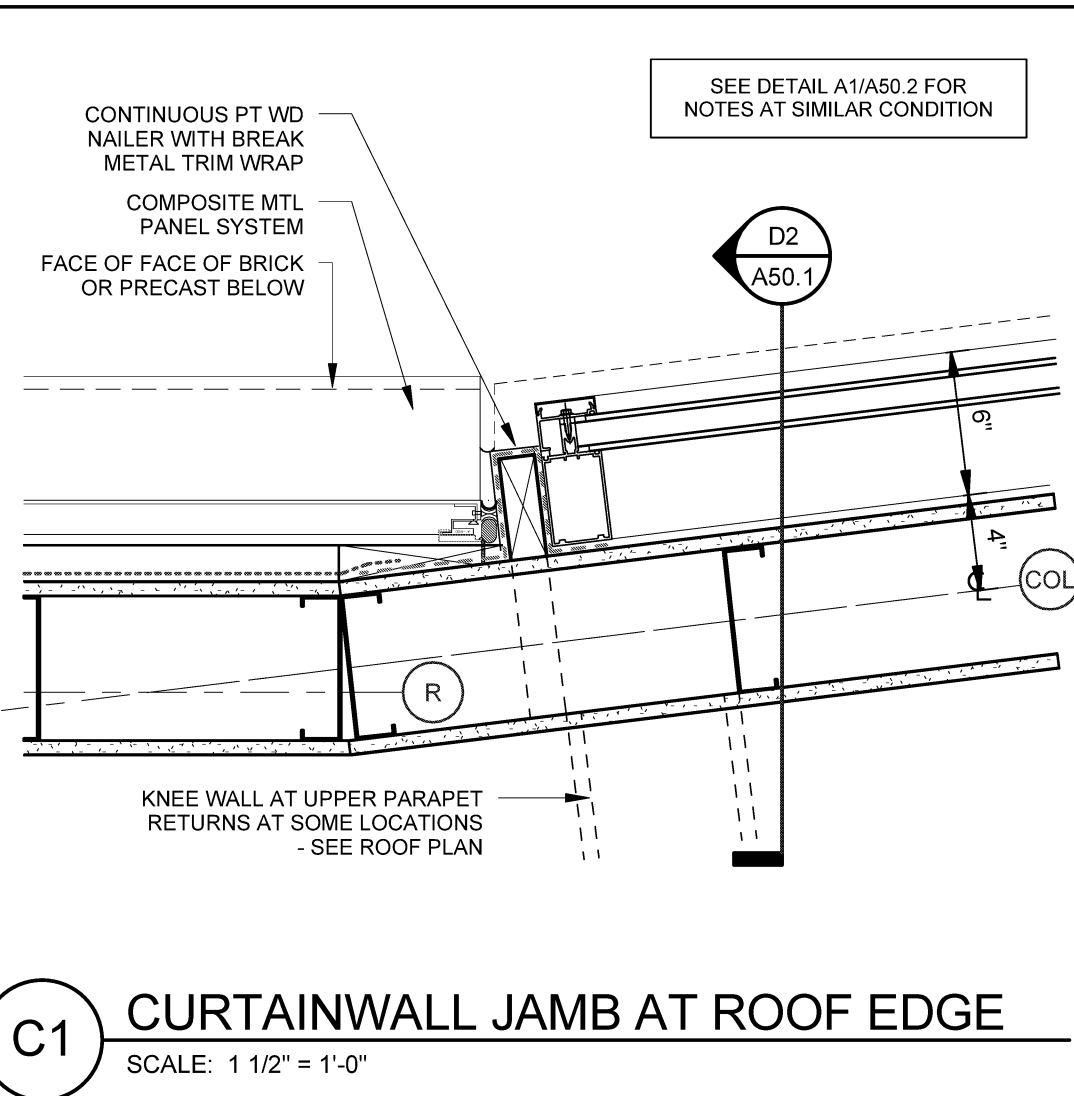
Harriman Project No. 15309

Key Plan

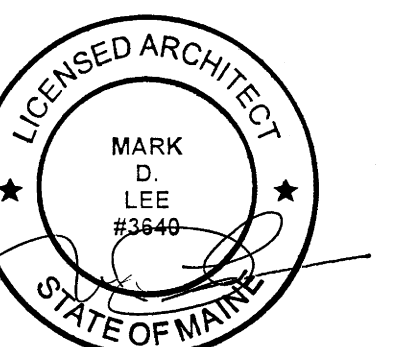
Proj North



Plot Date: 7/22/2016 1:58:31 PM



Mark	Date	Description
-	03-25-16	CONSTRUCTION DOCUMENTS
1	04-15-16	ADDENDUM #1
2	04-21-16	ADDENDUM #2
3	04-27-16	ADDENDUM #3
4	07-22-16	CONFORMANCE SET



Drawing Scales As indicated

PA / PE: MDL © 2016 Harriman Associates  
Drawn By: JAE

EXTERIOR DETAILS

A50.2