



HARRIMAN

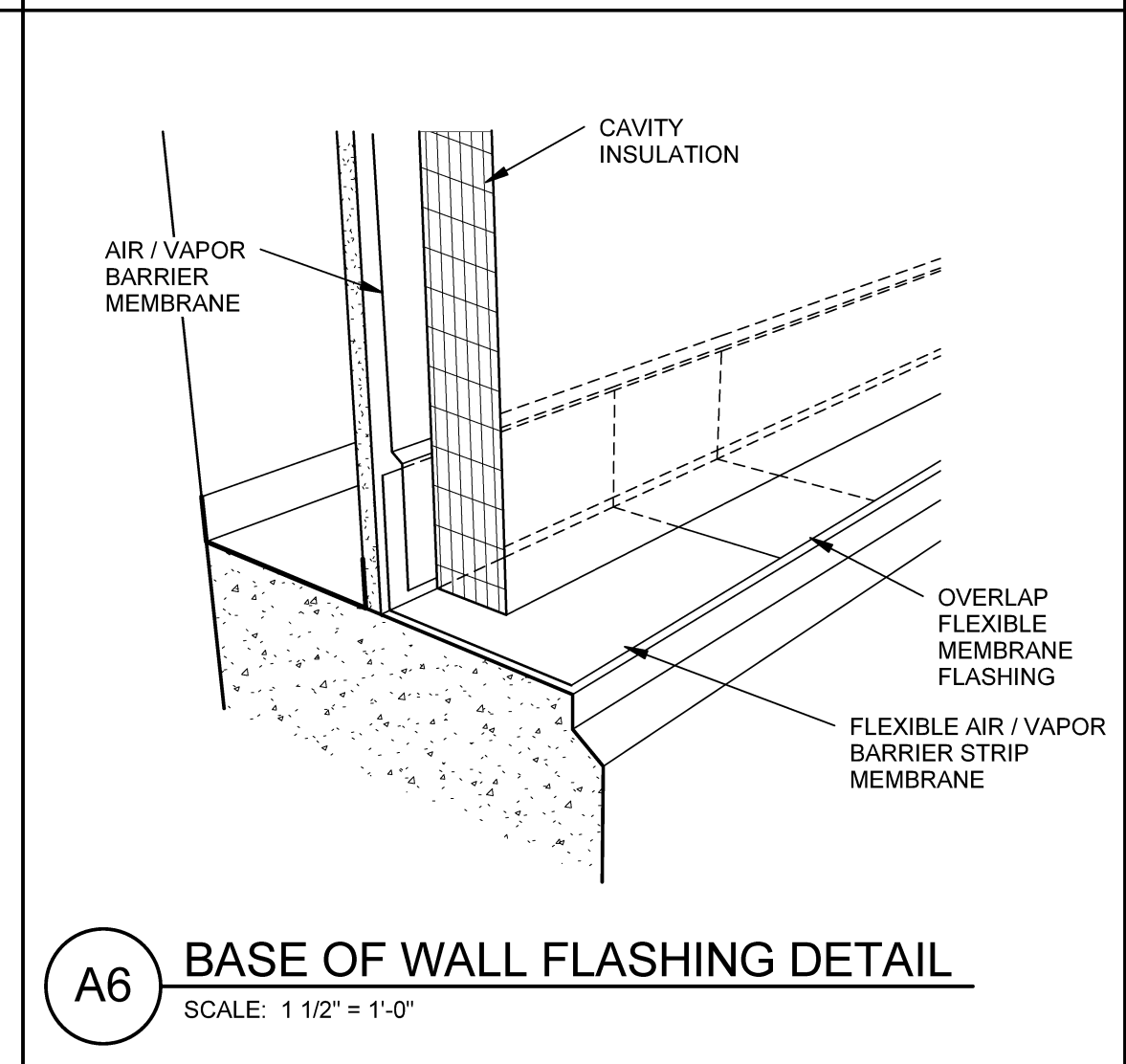
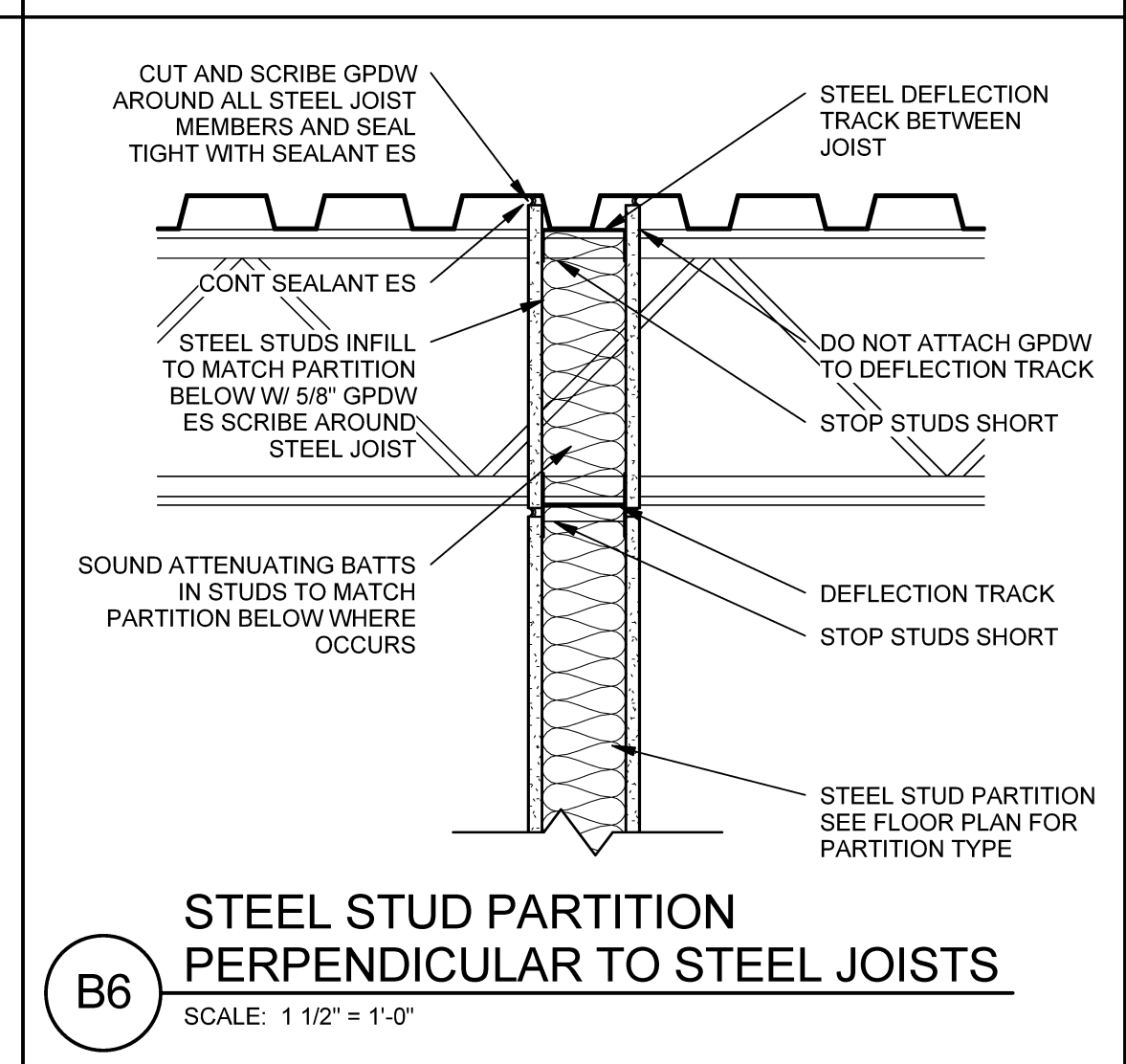
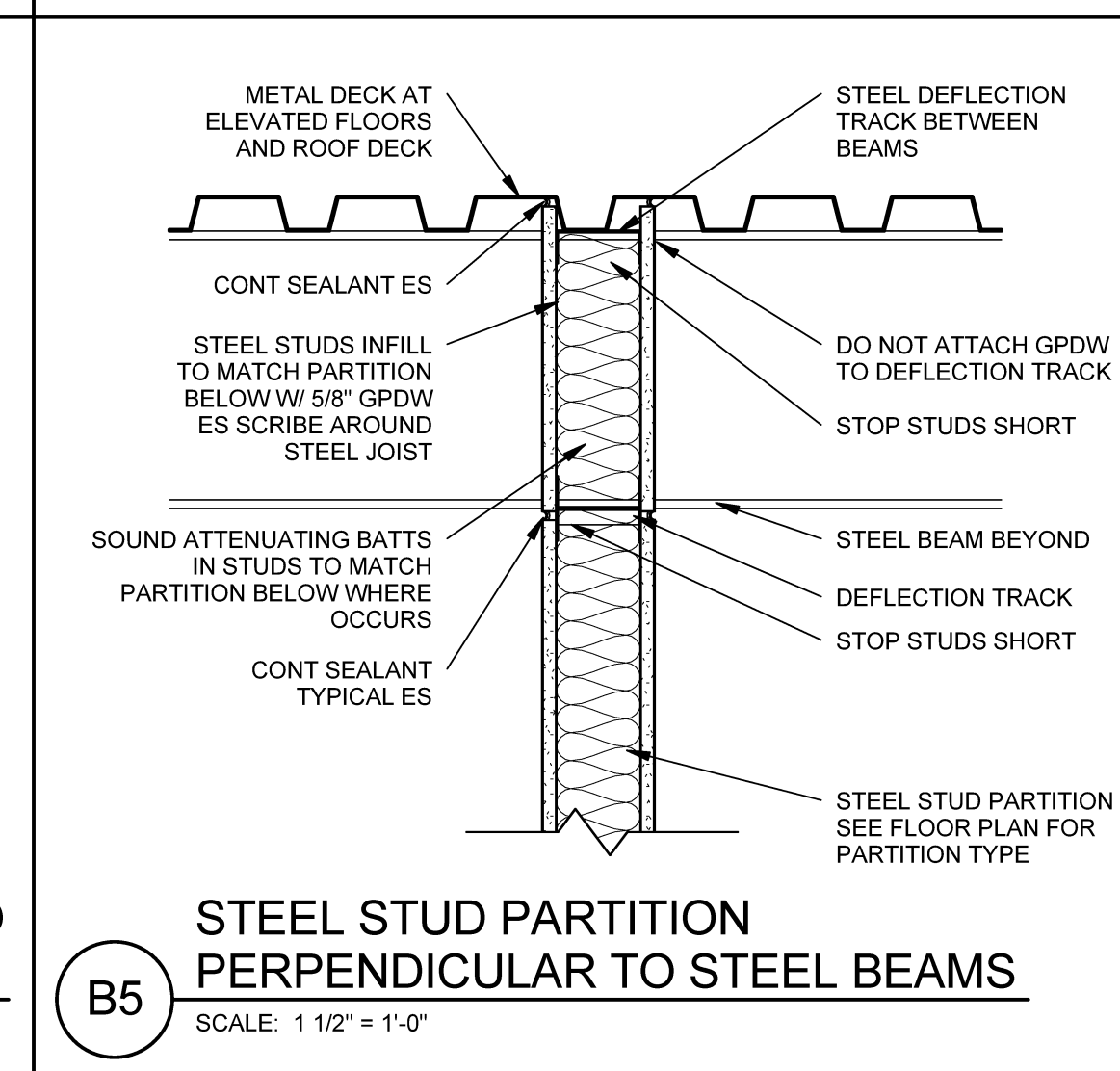
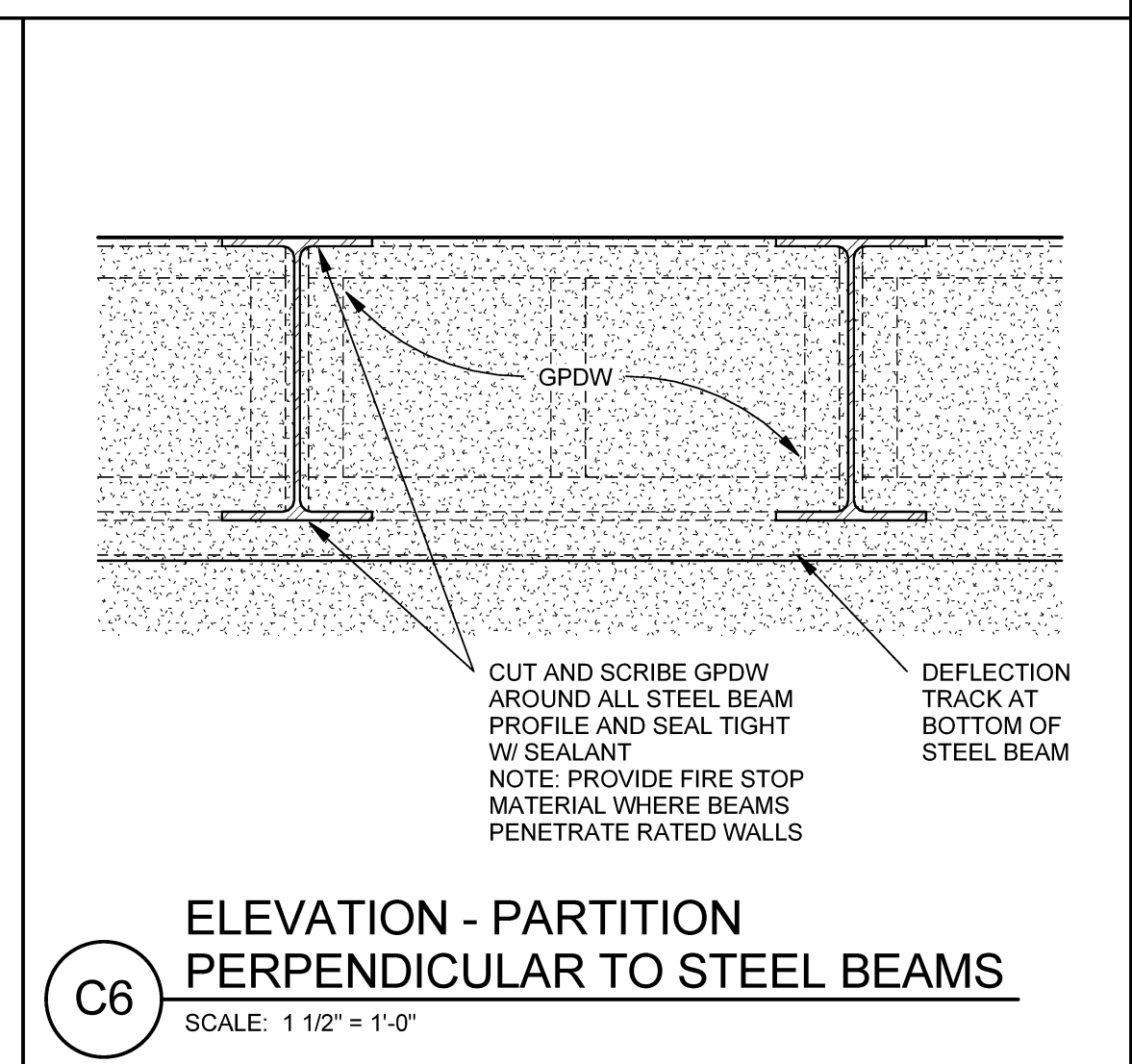
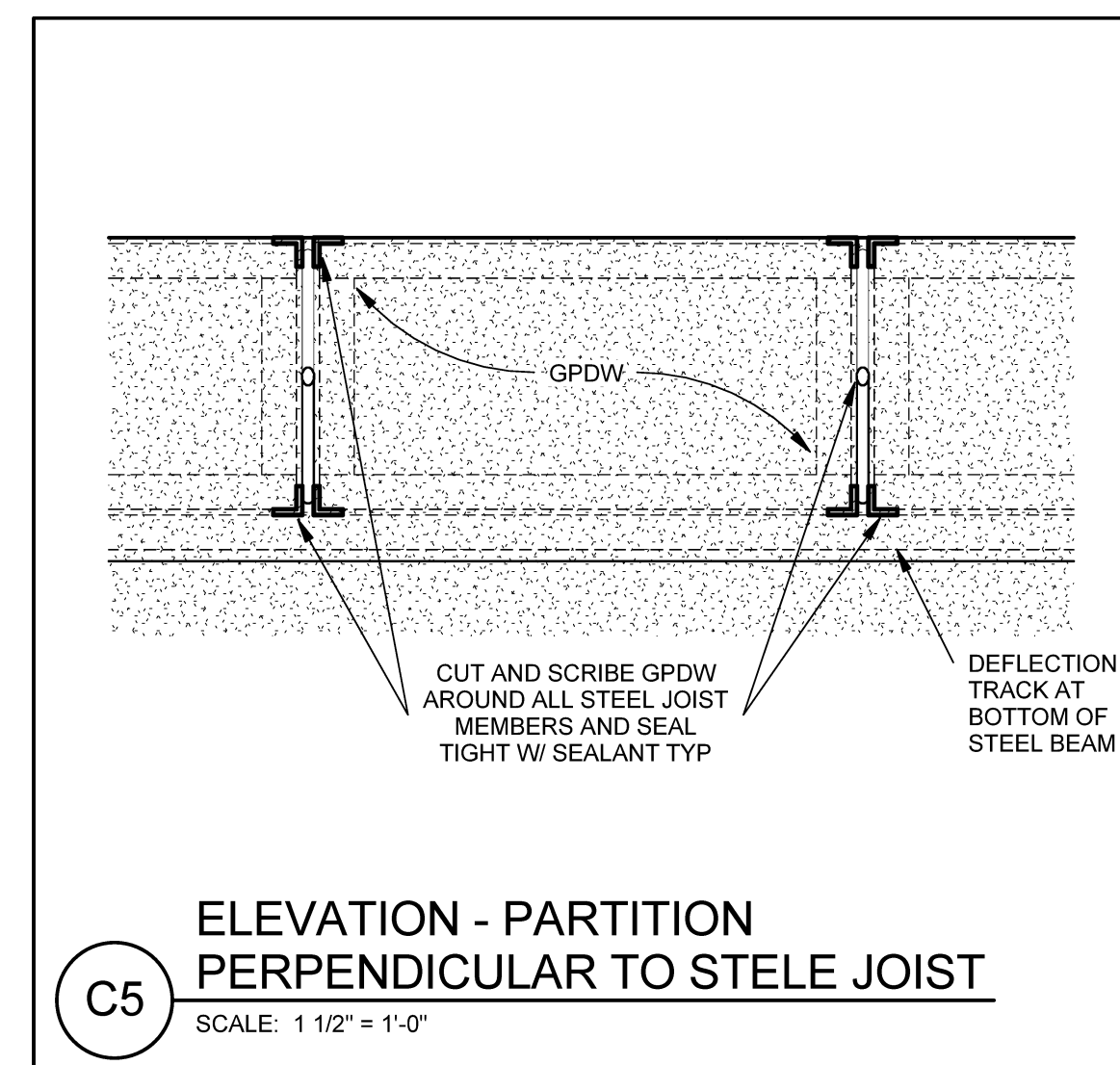
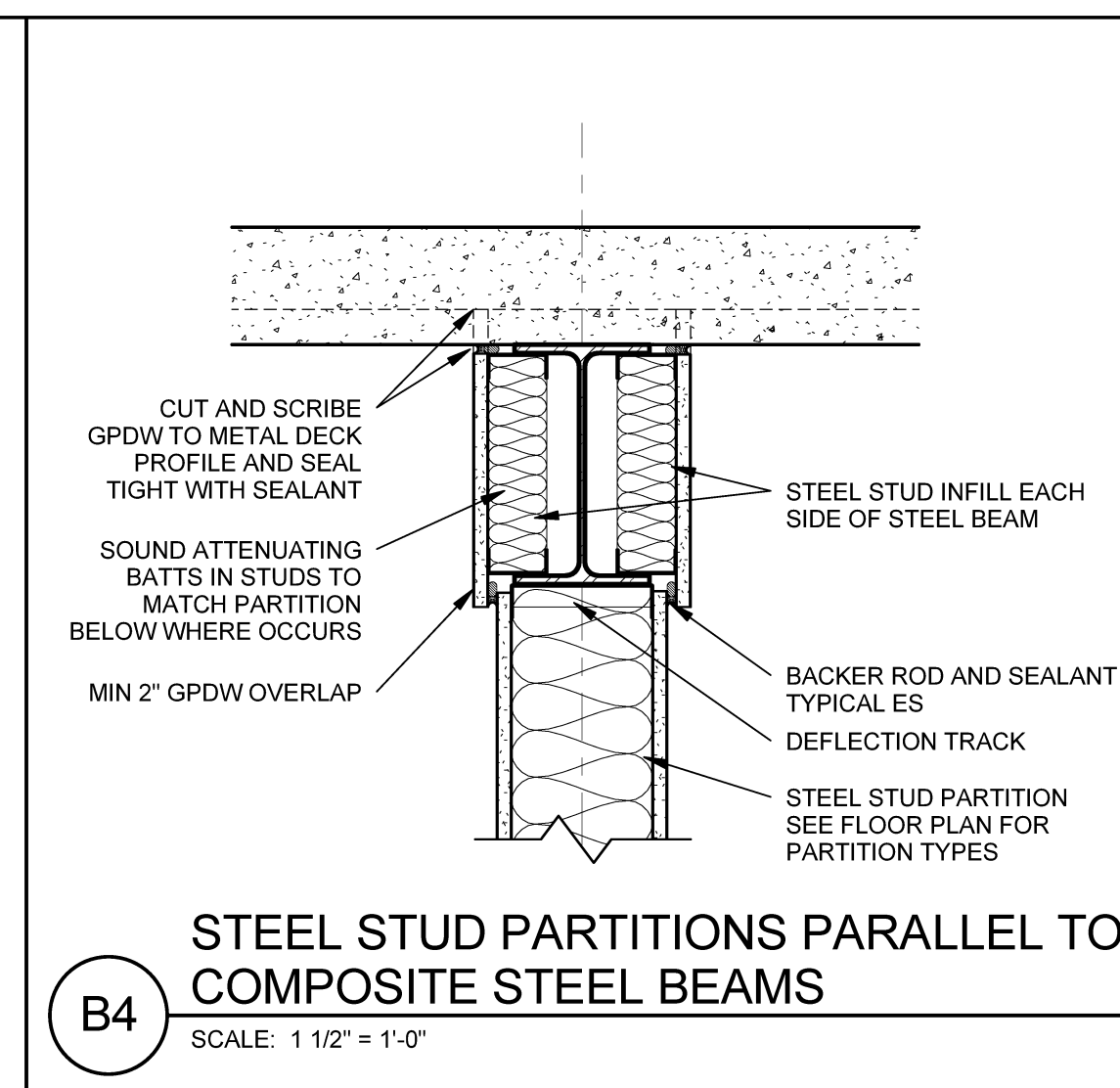
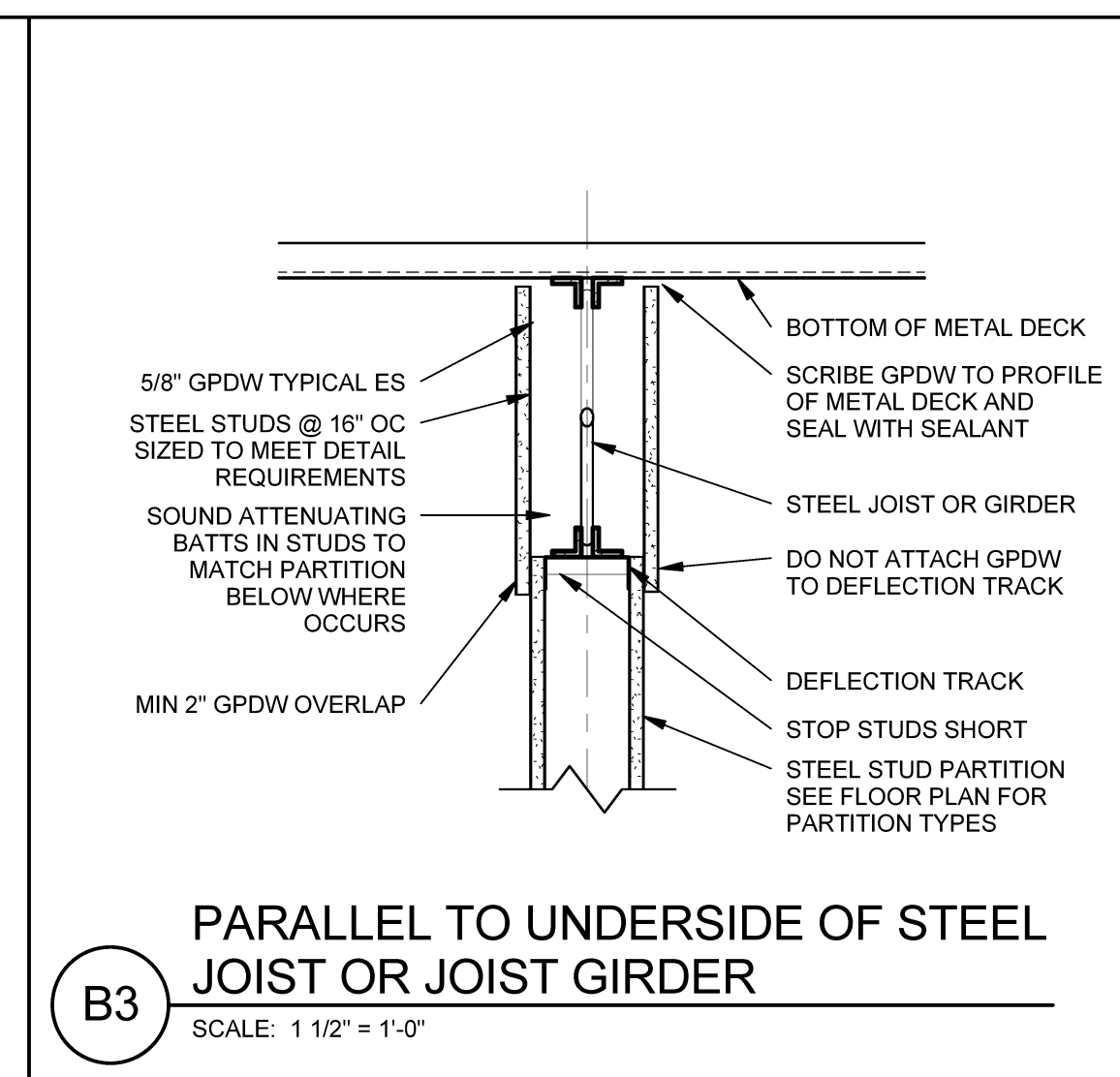
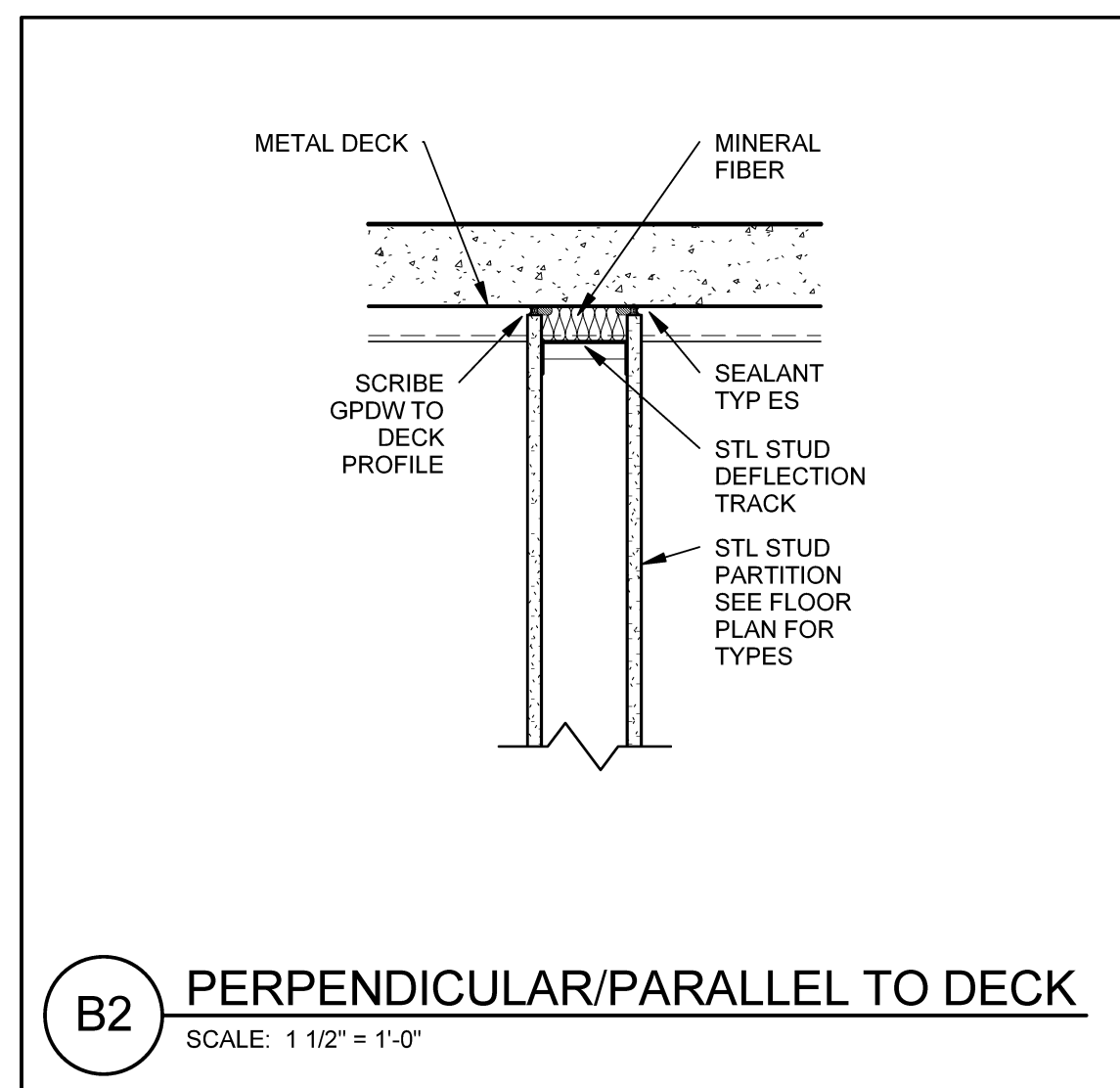
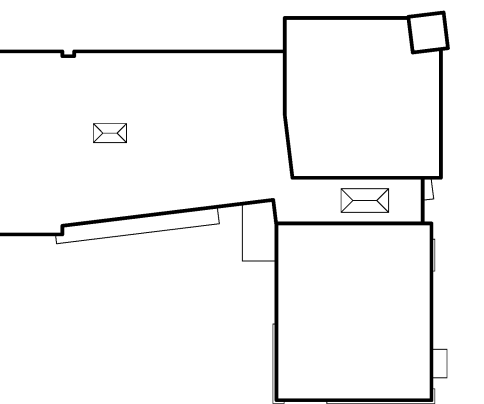
AUBURN PORTLAND MANCHESTER

JEWISH COMMUNITY ALLIANCE OF SOUTHERN MAINE

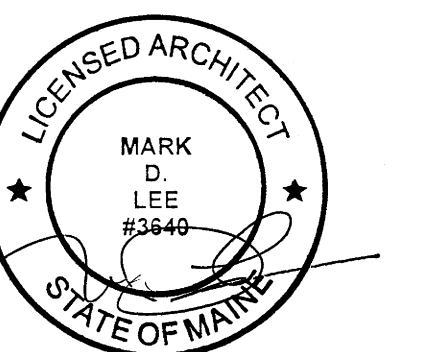
PORTLAND, ME

Harriman Project No. 15309

Key Plan Proj North



| Issues and Revisions | | |
|----------------------|----------|------------------------|
| Mark | Date | Description |
| - | 03-25-16 | CONSTRUCTION DOCUMENTS |
| 1 | 07-22-16 | CONFORMANCE SET |



Drawing Scales: 1 1/2" = 1'-0"

PA/PE: MDL © 2016 Harriman Associates
Drawn By: JAE

CONSTRUCTION SYSTEMS

A40.2