



HARRIMAN

AUBURN PORTLAND MANCHESTER

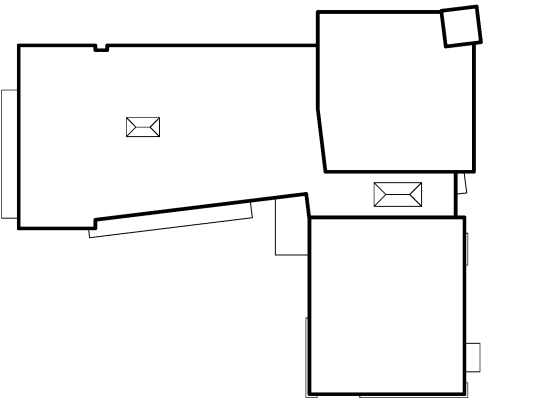
JEWISH COMMUNITY ALLIANCE OF SOUTHERN MAINE

PORTLAND, ME

Harriman Project No. 15309

Key Plan

Prop North



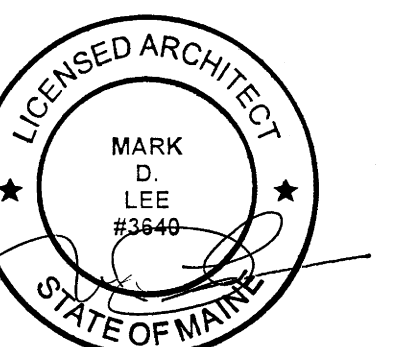
GENERAL NOTES

- 1. PROVIDE CRICKET INSULATION AT MECHANICAL CURB LOCATIONS WHERE UNIT IS BETWEEN HIGH POINT OF ROOF AND ROOF DRAINS.
2. COORDINATE ALL ROOF PENETRATIONS WITH MECHANICAL, PLUMBING, AND ELECTRICAL DRAWINGS.

LEGEND

- DIRECTION OF SLOPE
MECHANICAL UNIT
ROOF TYPE MARKER
VENT THROUGH ROOF
ROOF DRAIN
ROOF TIE-OFF
TAPERED INSULATION CRICKET

Issues and Revisions table with columns: Mark, Date, Description. Includes entries for 07-22-15 SCHEMATIC REVIEW, 07-24-15 REVISED SCHEMATIC REVIEW, 09-04-15 DESIGN DEVELOPMENT REVIEW, 03-25-16 CONSTRUCTION DOCUMENTS, 04-15-16 ADDENDUM #1, 04-21-16 ADDENDUM #2, 05-04-16 ADDENDUM #4, 07-22-16 CONFORMANCE SET.

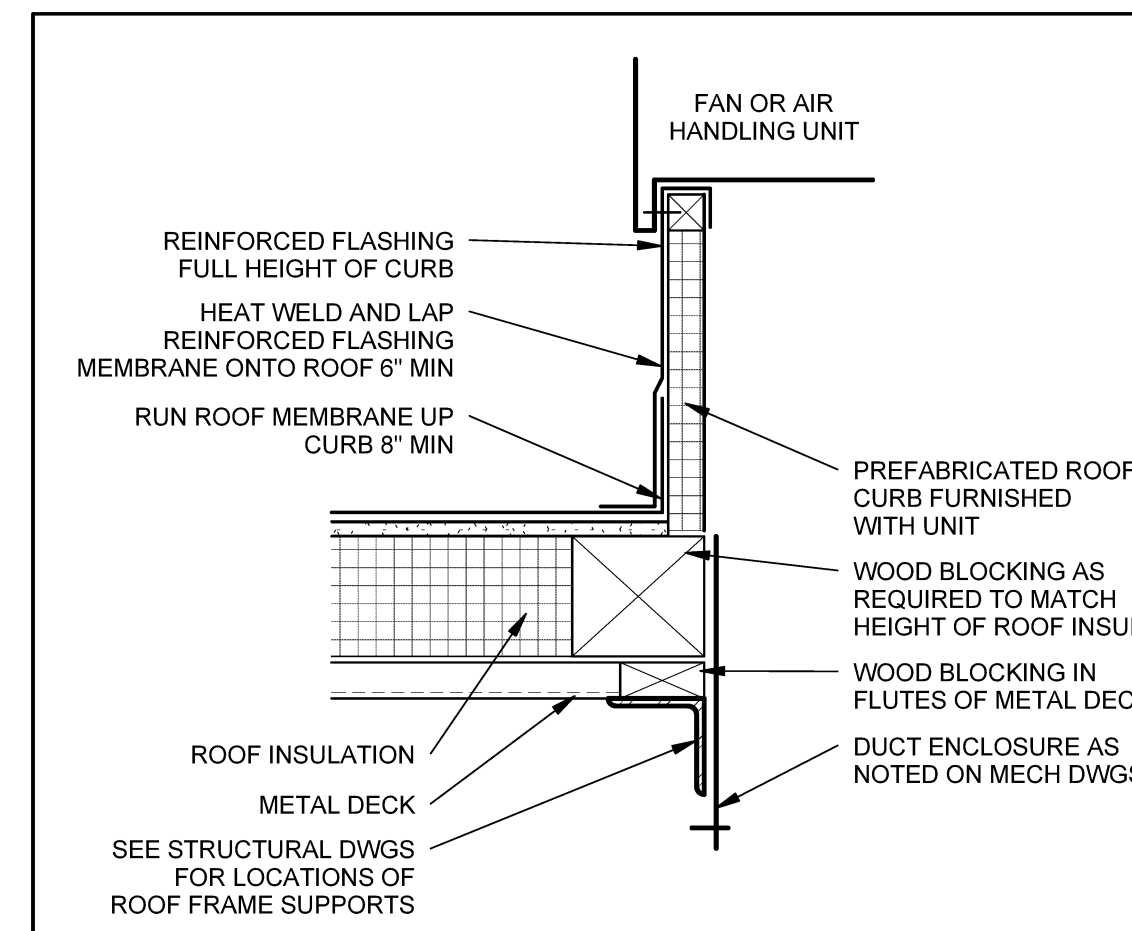


Drawing Scales: As indicated

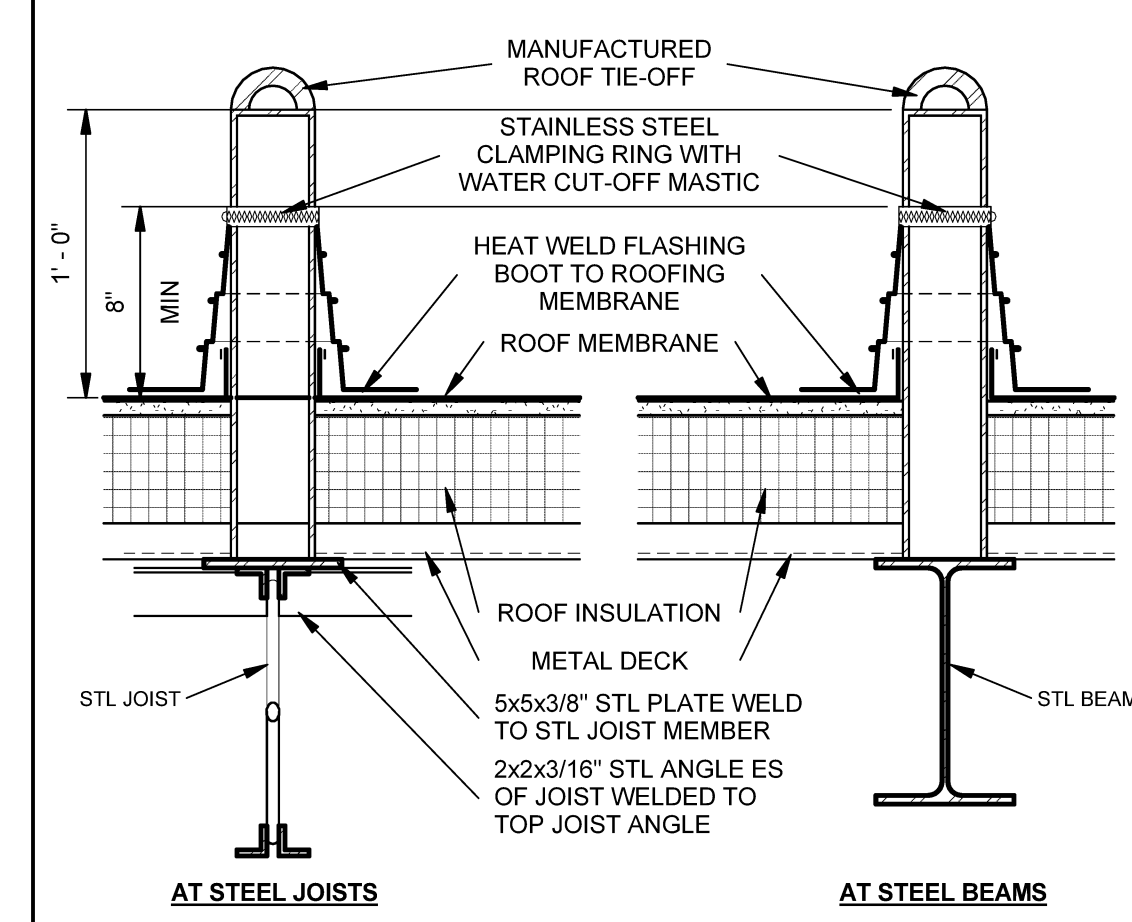
PA/PE: MDL © 2016 Harriman Associates
Drawn By: JAE

ROOF PLAN

A15.1

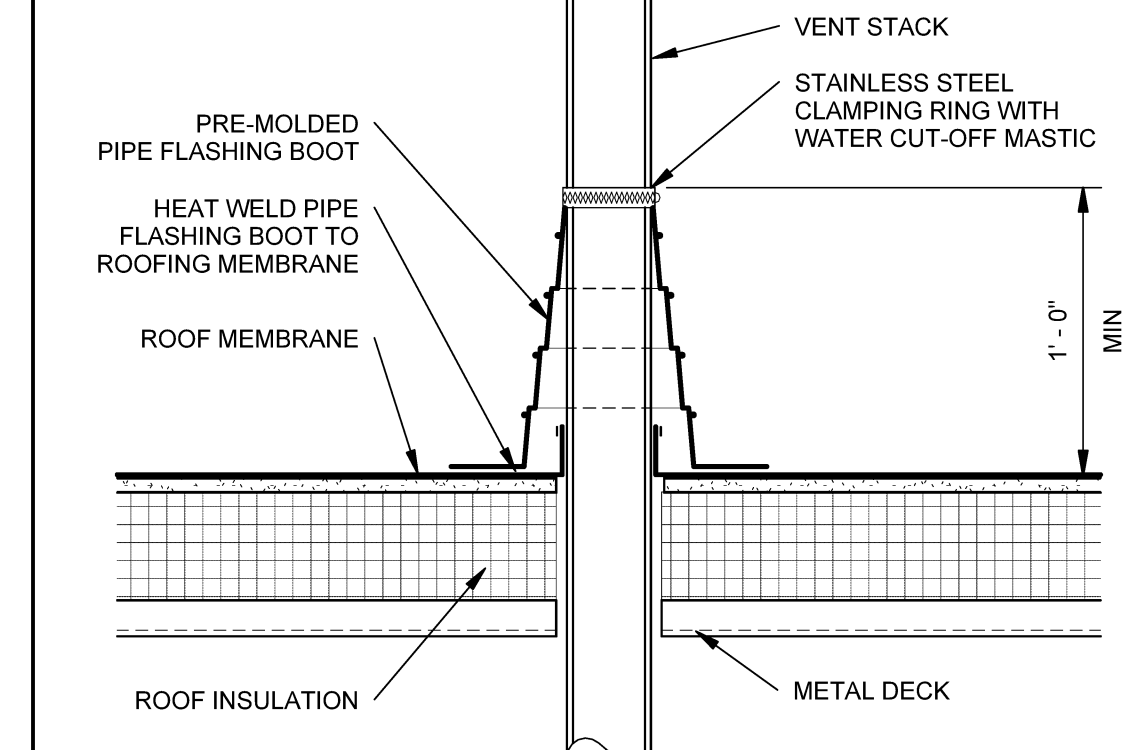


E1 MECH HOOD/EXHAUST CURB, TYP SCALE: 1 1/2" = 1'-0"



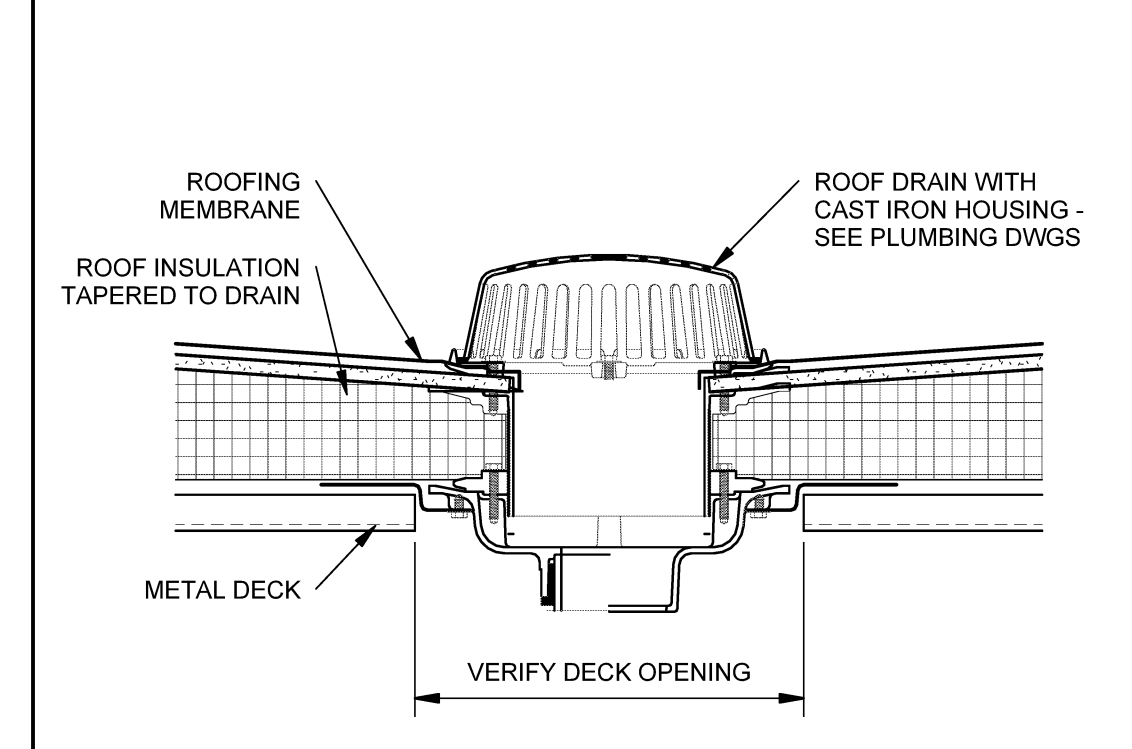
D1 ROOF TIE-OFF DETAIL, TYP SCALE: 1 1/2" = 1'-0"

NOTES: 1. FOLLOW STANDARD MANUFACTURER'S INSTALLATION DETAILS. 2. PROVIDE SIMILAR PIPE BOOT FLASHING AT ELECTRICAL CONDUITS.



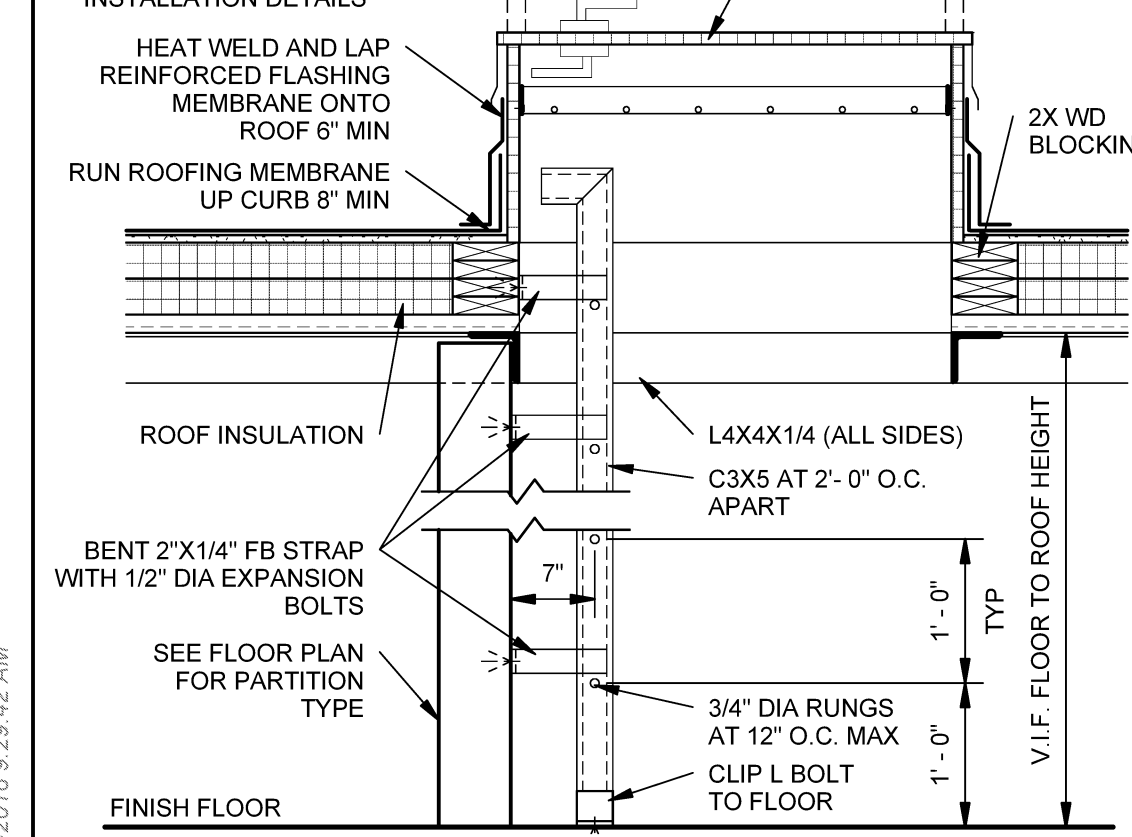
C1 VENT STACK DETAIL, TYP SCALE: 1 1/2" = 1'-0"

NOTE: FOLLOW STANDARD MANUFACTURER'S INSTALLATION DETAILS.

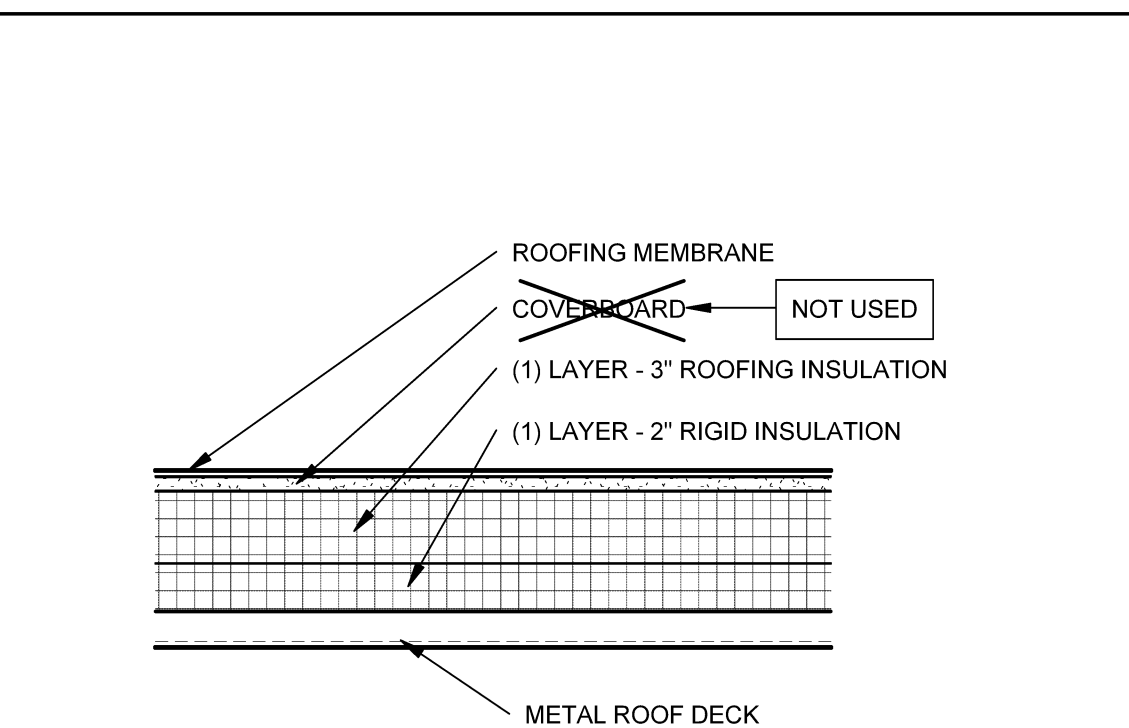


B1 ROOF DRAIN DETAIL, TYP SCALE: 1 1/2" = 1'-0"

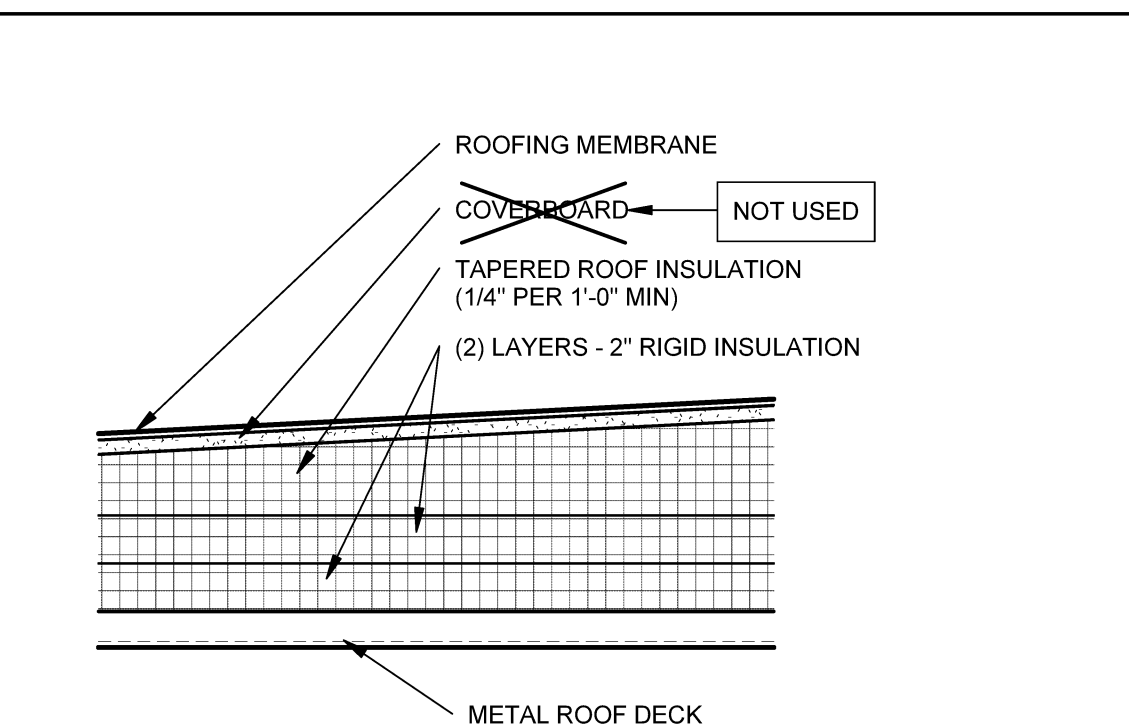
NOTE: FOLLOW STANDARD MANUFACTURER'S INSTALLATION DETAILS.



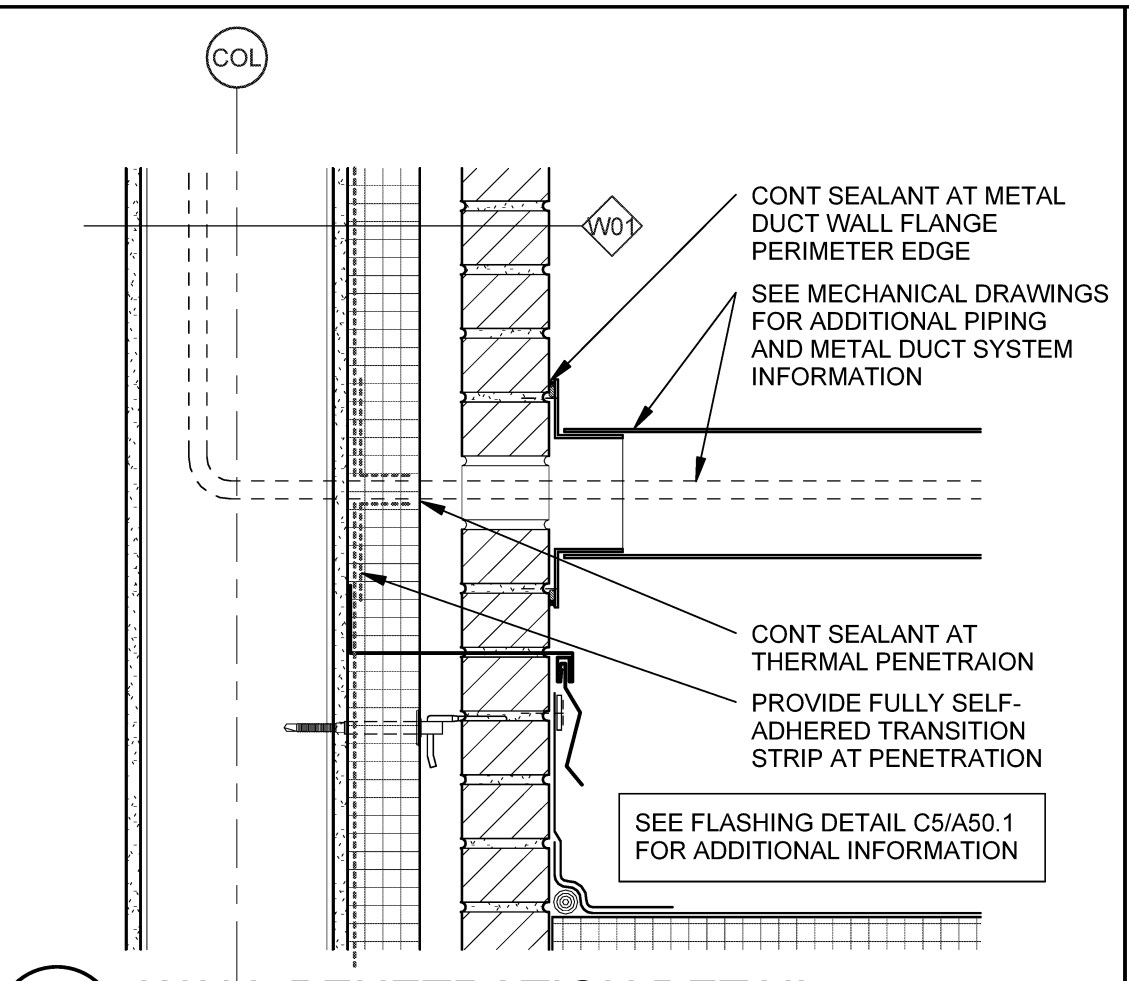
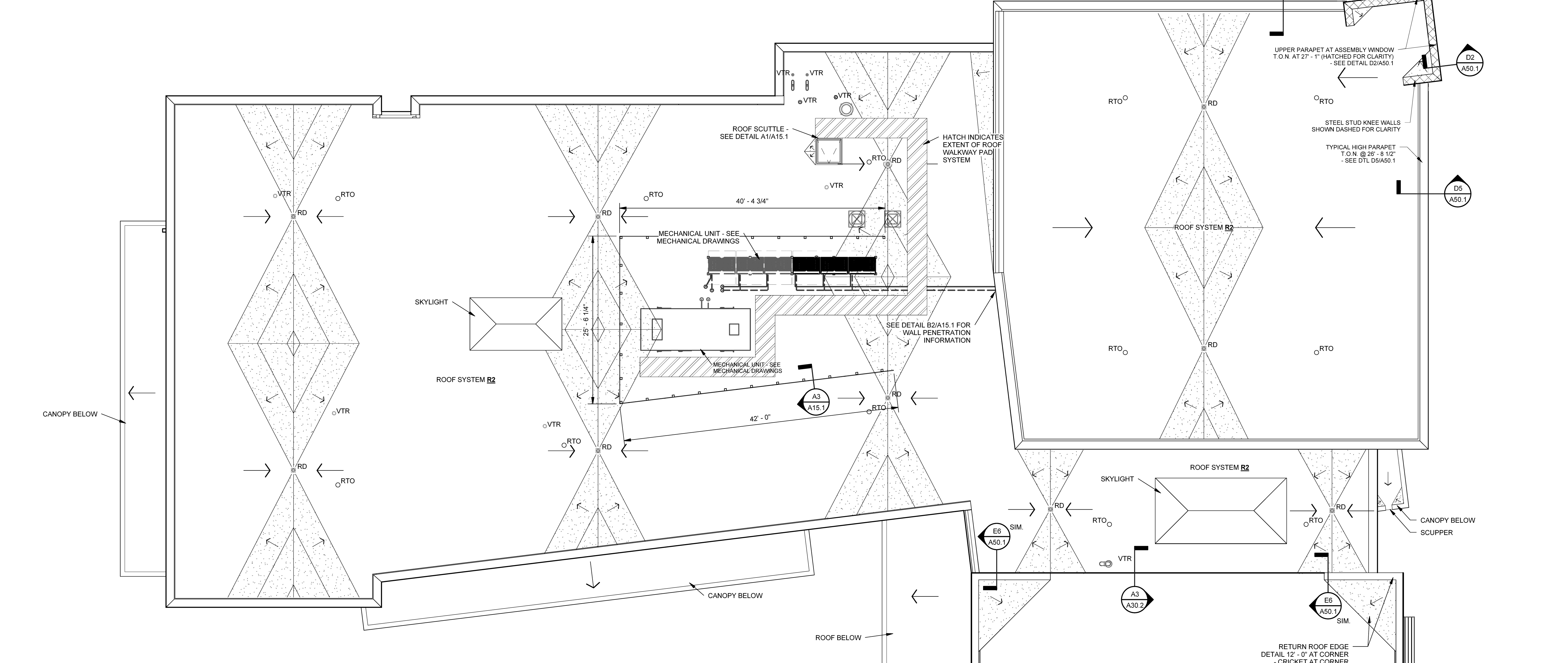
A1 ROOF SCUTTLE DETAIL SCALE: 3/4" = 1'-0"



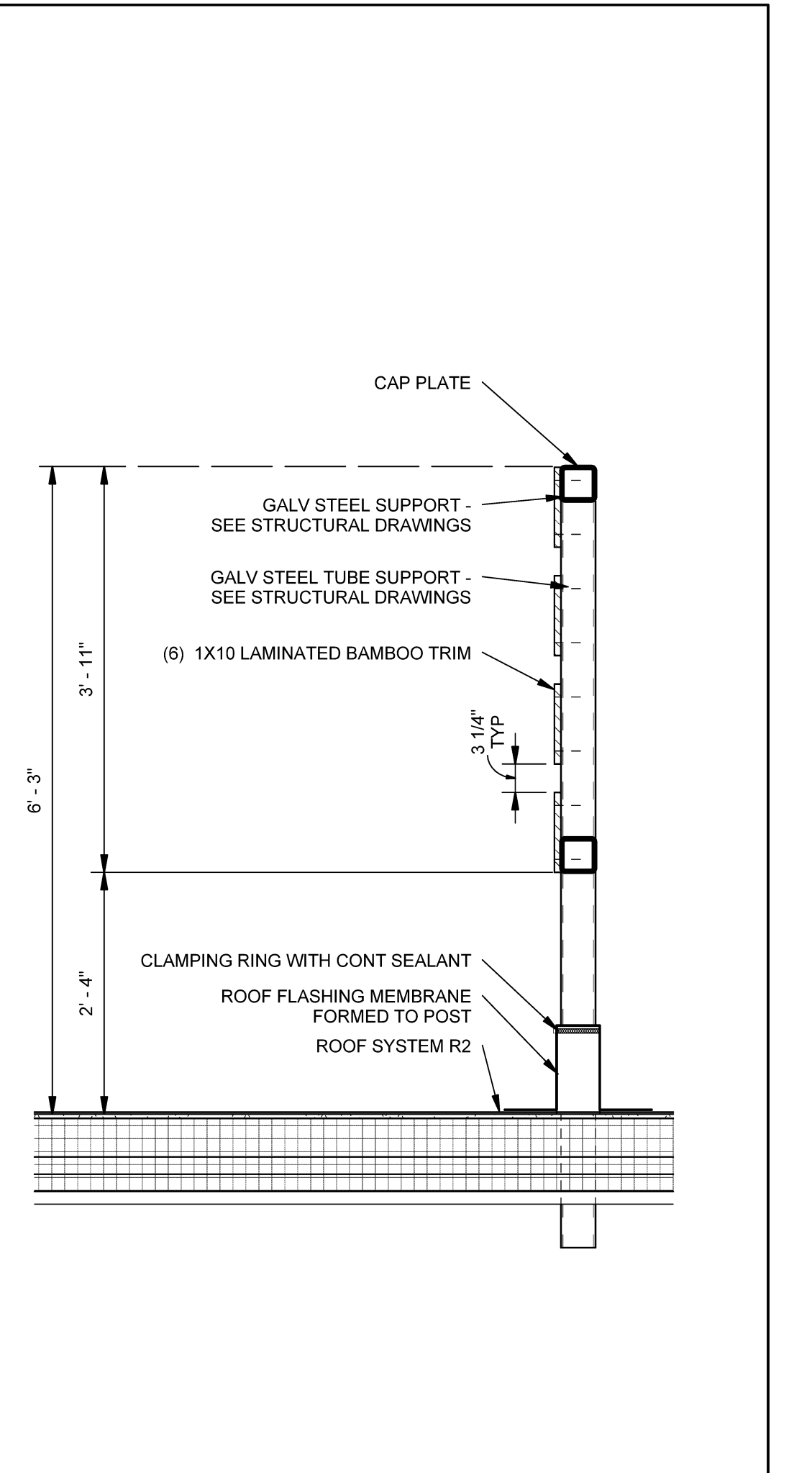
ROOF SYSTEM - R1 (SLOPED STEEL)



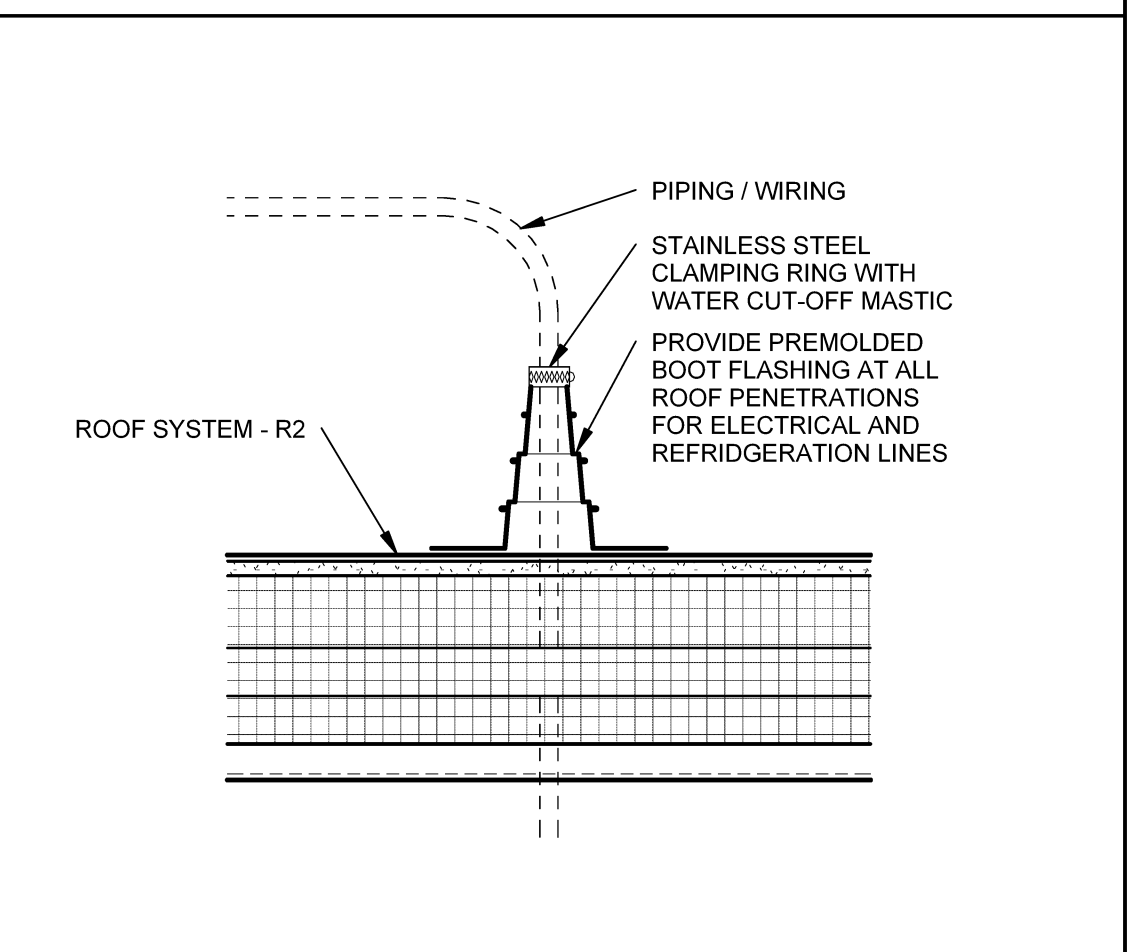
ROOF SYSTEM - R2 (TAPERED INSULATION)



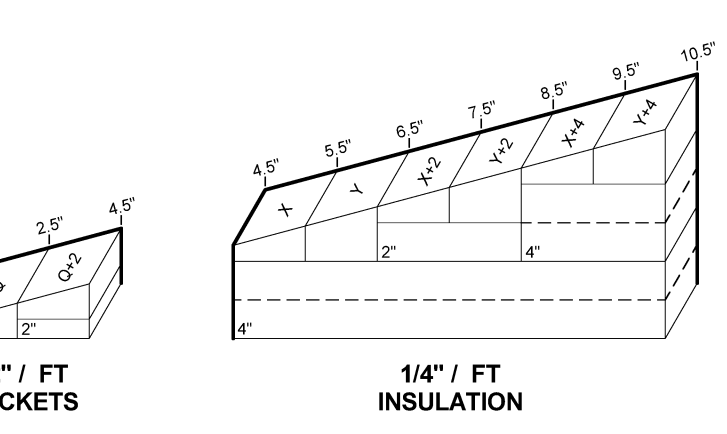
B2 WALL PENETRATION DETAIL SCALE: 1 1/2" = 1'-0"



A3 ROOF SCREEN DETAIL SCALE: 3/4" = 1'-0"



A2 ROOF PENETRATION DETAIL, TYP SCALE: 1 1/2" = 1'-0"



A4 ROOF PLAN SCALE: 1/8" = 1'-0"

Plot Date: 7/22/2016 9:29:42 AM