



HARRIMAN

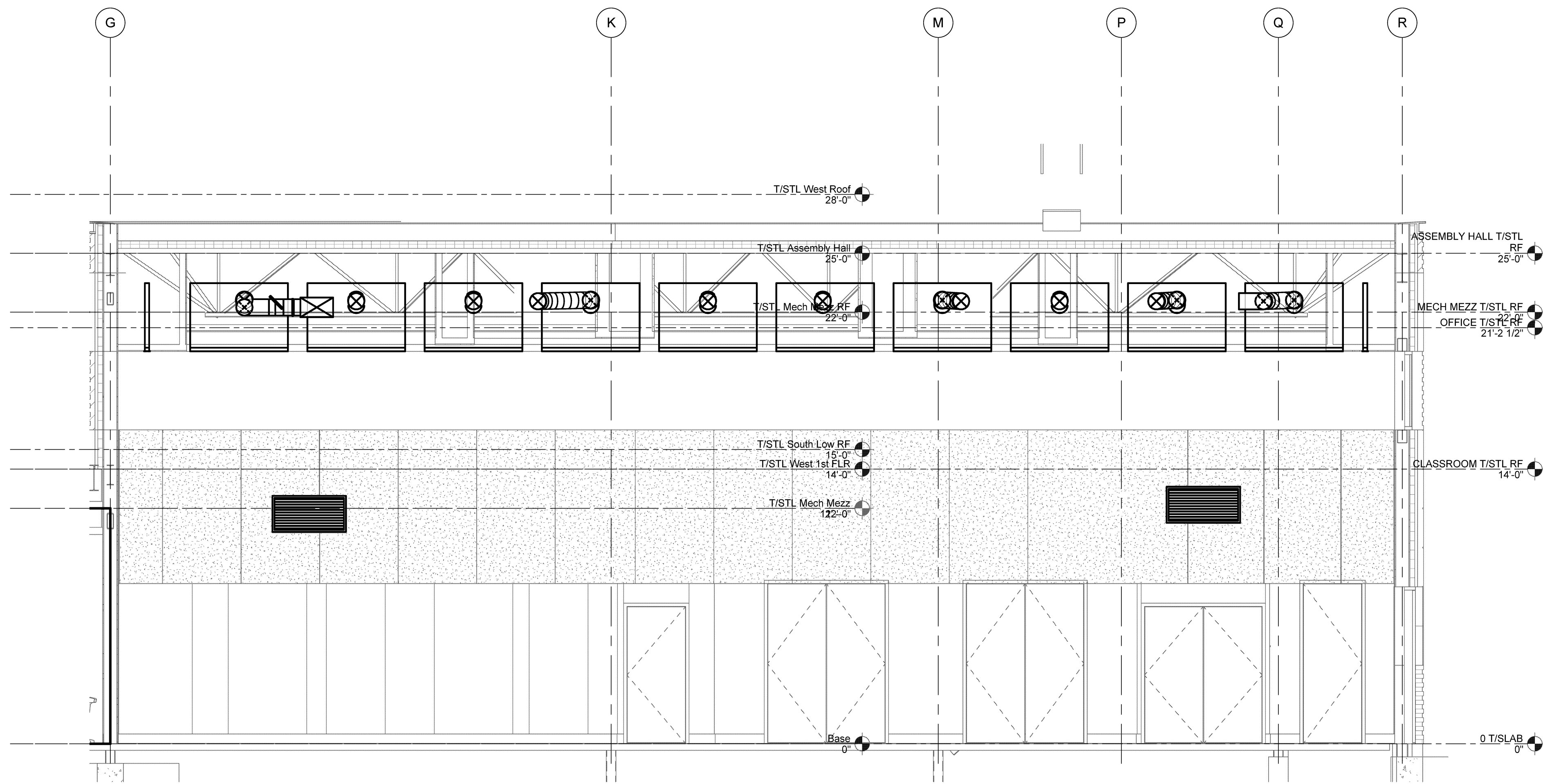
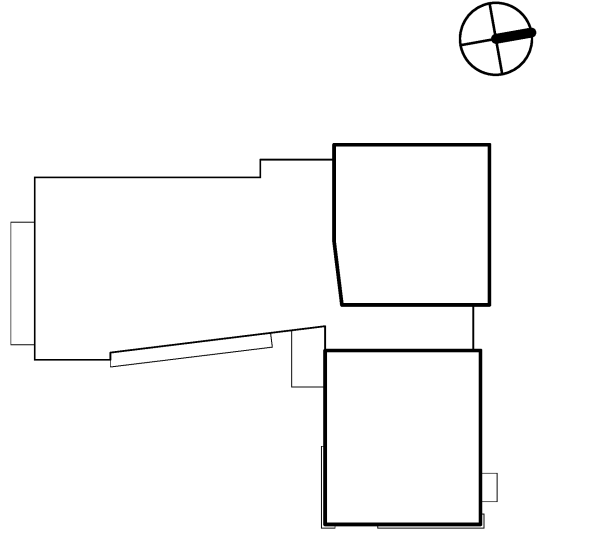
AUBURN PORTLAND MANCHESTER

JEWISH COMMUNITY ALLIANCE OF SOUTHERN MAINE

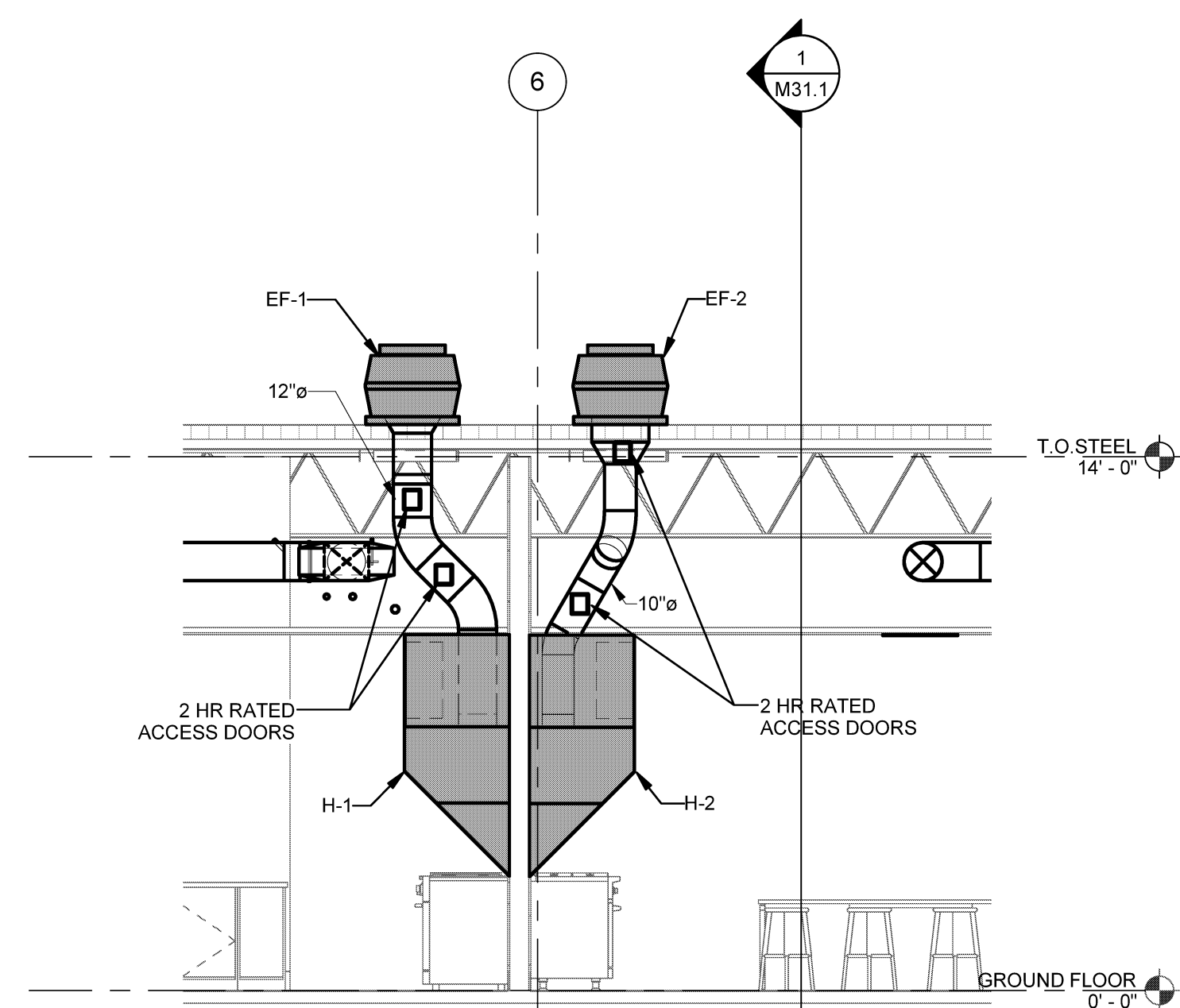
PORTLAND, ME

Harriman Project No. 15309

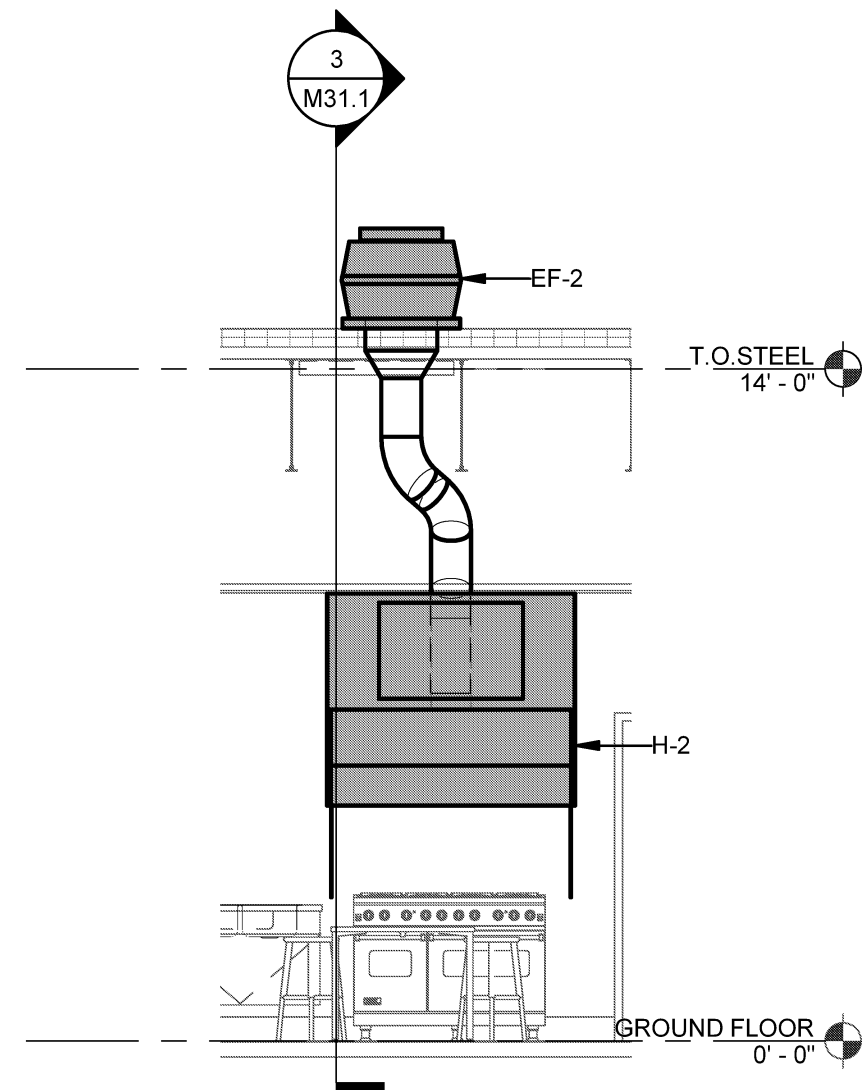
Key Plan Proj North



2 SECTION 2
SCALE: 1/4" = 1'-0"



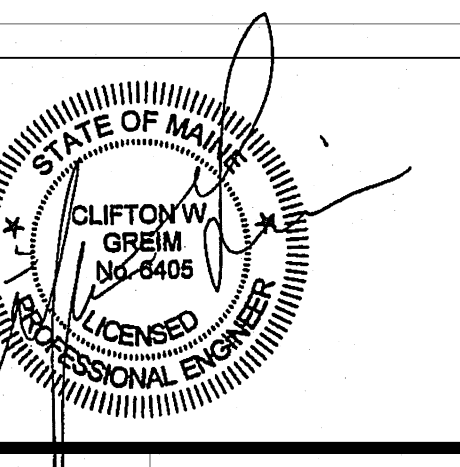
3 SECTION 3
SCALE: 1/4" = 1'-0"



1 SECTION 4
SCALE: 1/4" = 1'-0"

Issues and Revisions

Mark	Date	Description
	03-25-16	CONSTRUCTION DOCUMENTS



Drawing Scales

1/4" = 1'-0"	

PA/PE: CG © 2016 Harriman Associates
Drawn By: MDHS

SECTIONS

M31.1