



HARRIMAN

AUBURN PORTLAND MANCHESTER

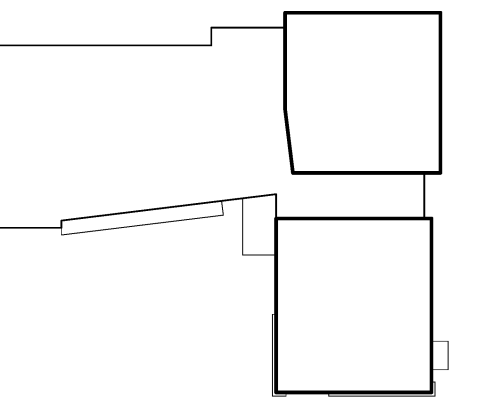
JEWISH COMMUNITY ALLIANCE OF SOUTHERN MAINE

PORTLAND, ME

Harriman Project No. 15309

Key Plan

Proj North



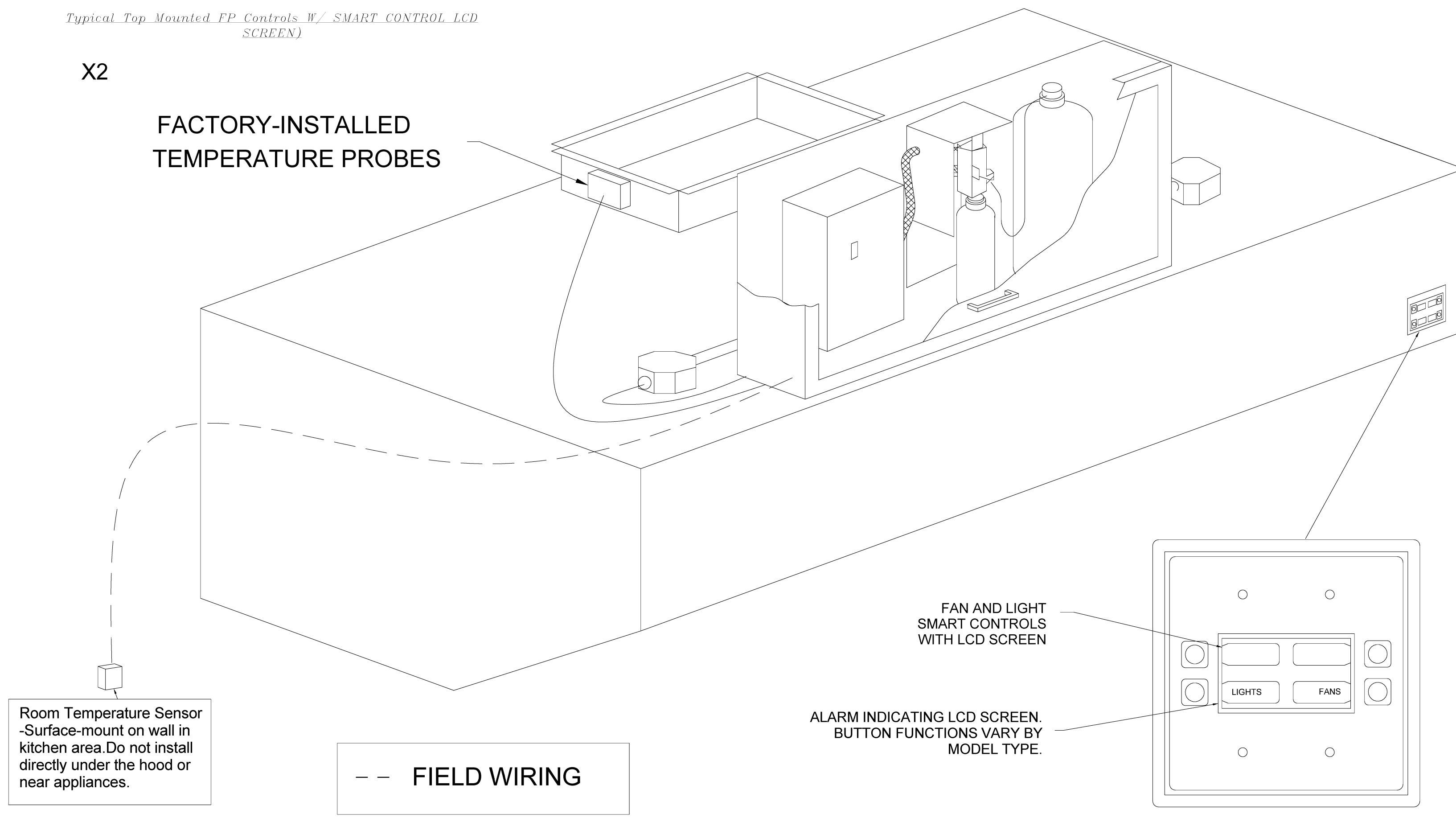
ELECTRICAL PACKAGES

Table with columns: NO, TAG, PACKAGE #, LOCATION, SWITCHES, QUANTITY, OPTION, FANS CONTROLLED (FAN TAG, TYPE, H.P., VOLT, FLA)

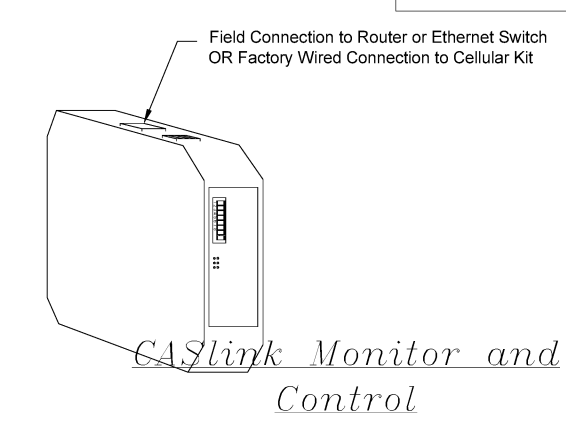
Typical Top Mounted FP Controls w/ SMART CONTROL LCD SCREEN

X2

FACTORY-INSTALLED TEMPERATURE PROBES



Room Temperature Sensor -Surface-mount on wall in kitchen area. Do not install directly under the hood or near appliances.



Hood Control panel to support communications to cloud-based Management System... Hood Control Panel to allow cloud-based Building Management System...

MONITORING AND CONTROL POINTS LIST

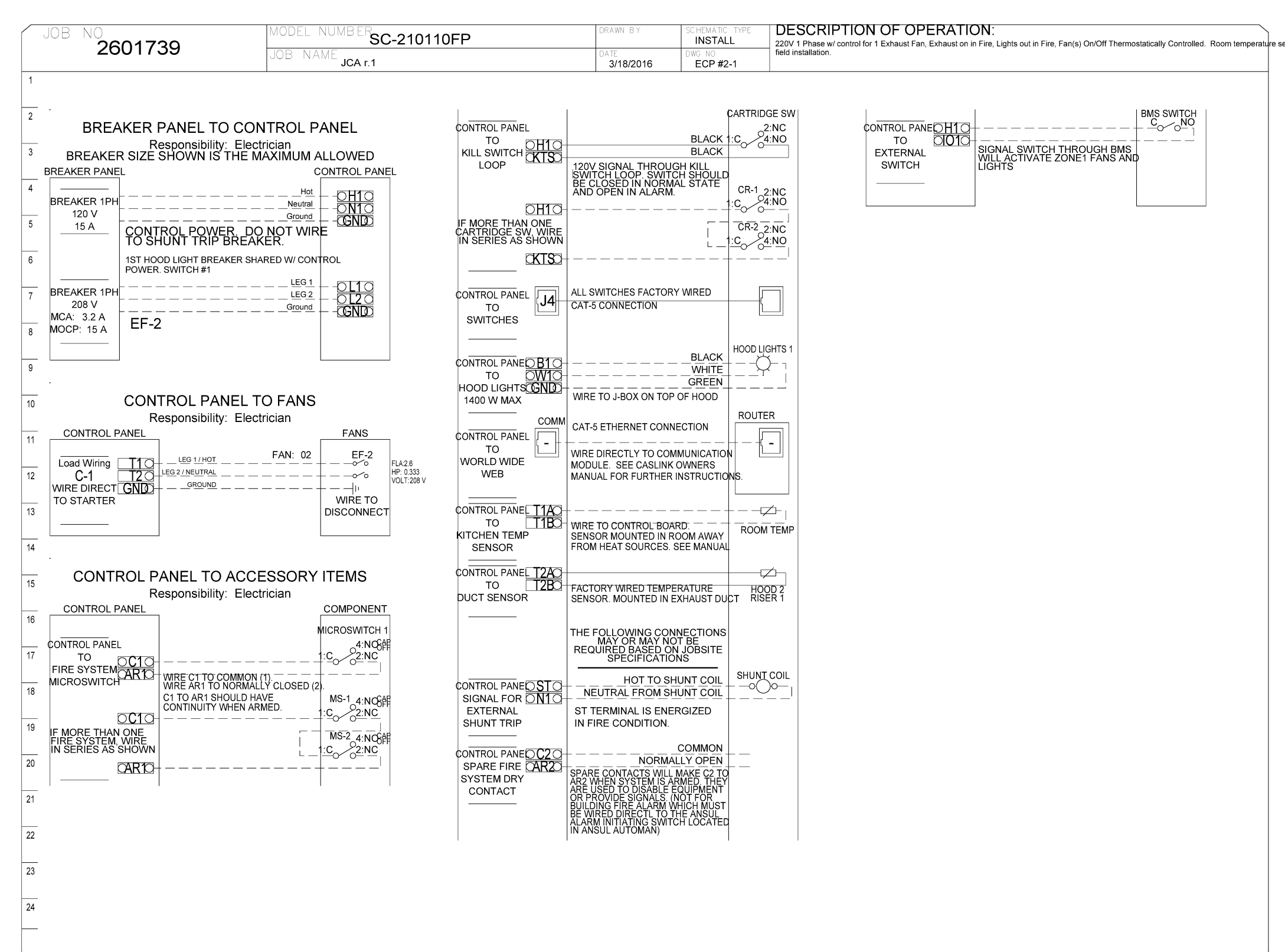
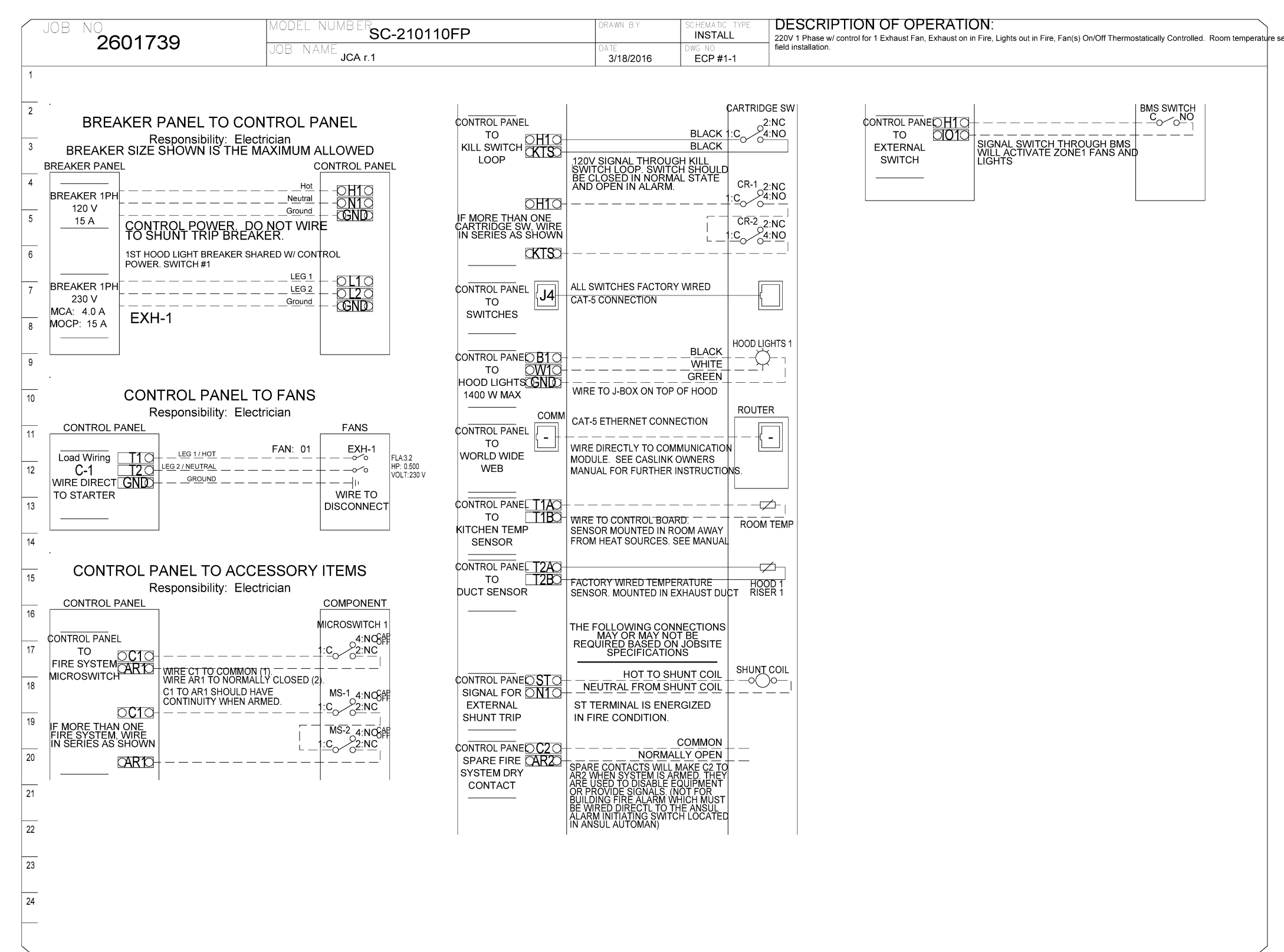
Table with columns: Tag, Function, Tag, Function. Lists various monitoring and control points like Temperature, Humidity, Discharge, etc.

The Electrical Package, typically FP, is designed to thermostatically activate the exhaust fans for an exhaust hood whenever elevated temperatures are sensed in the exhaust system...

Temperature probe(s) located in the duct riser shall be constructed of Stainless Steel. A room temperature sensor is also provided for field installation in the kitchen space...

Once the duct temperature reaches the activation point, the exhaust fans will be activated. The controls also provide hysteresis to prevent cycling of the fans after the cooking appliances have been turned off...

The activation and hysteresis settings may be field adjusted on the board LCD interface located inside the control enclosure to meet application needs.



Issues and Revisions table with columns: Mark, Date, Description

Table with columns: Drawing Scale, PA/PE, CG, Drawn By, MDHS

Table with columns: Drawing Scale, PA/PE, CG, Drawn By, MDHS

© 2016 Harriman Associates

DETAILS

M30.6

1 KITCHEN HOOD DETAIL 3 NO SCALE