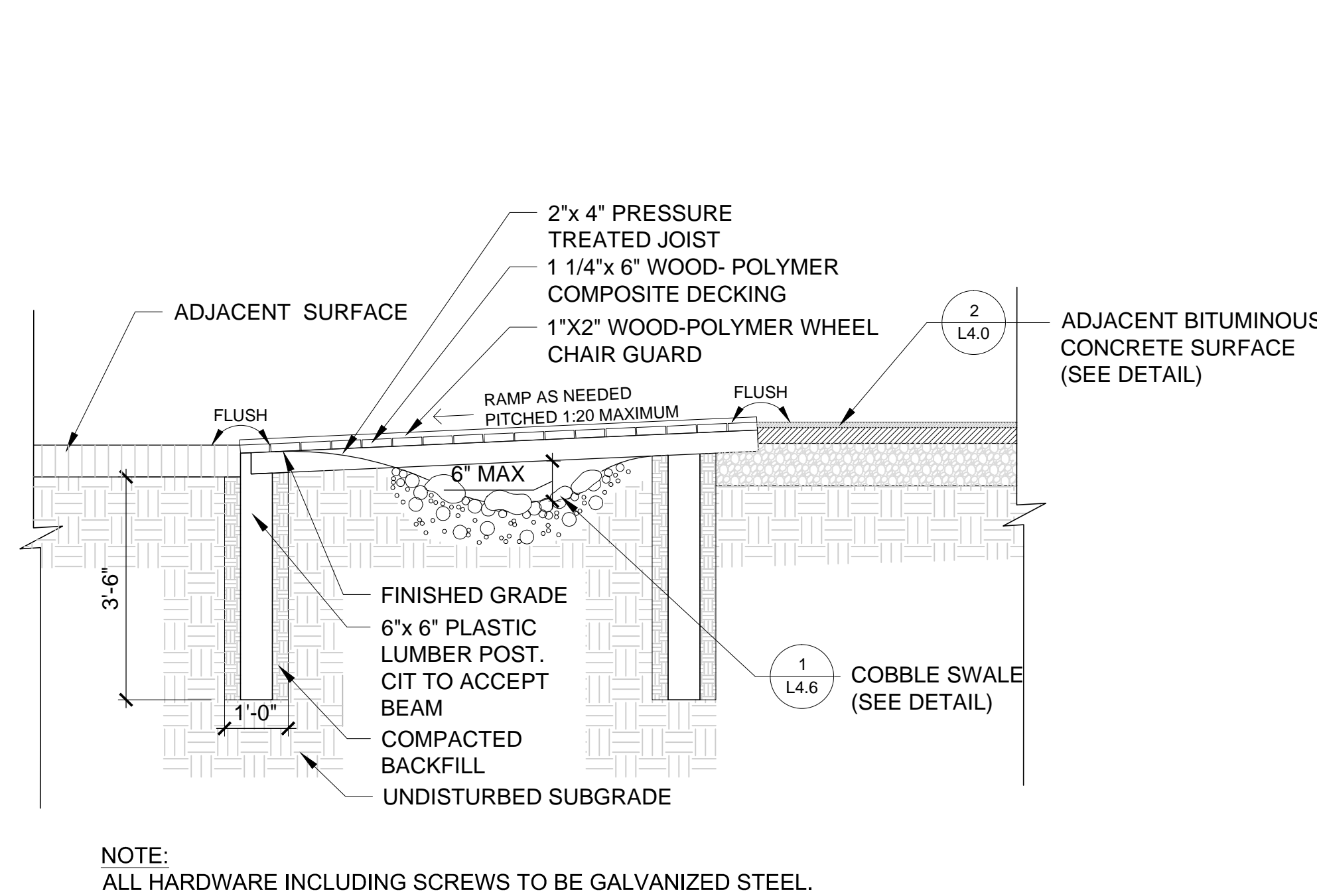
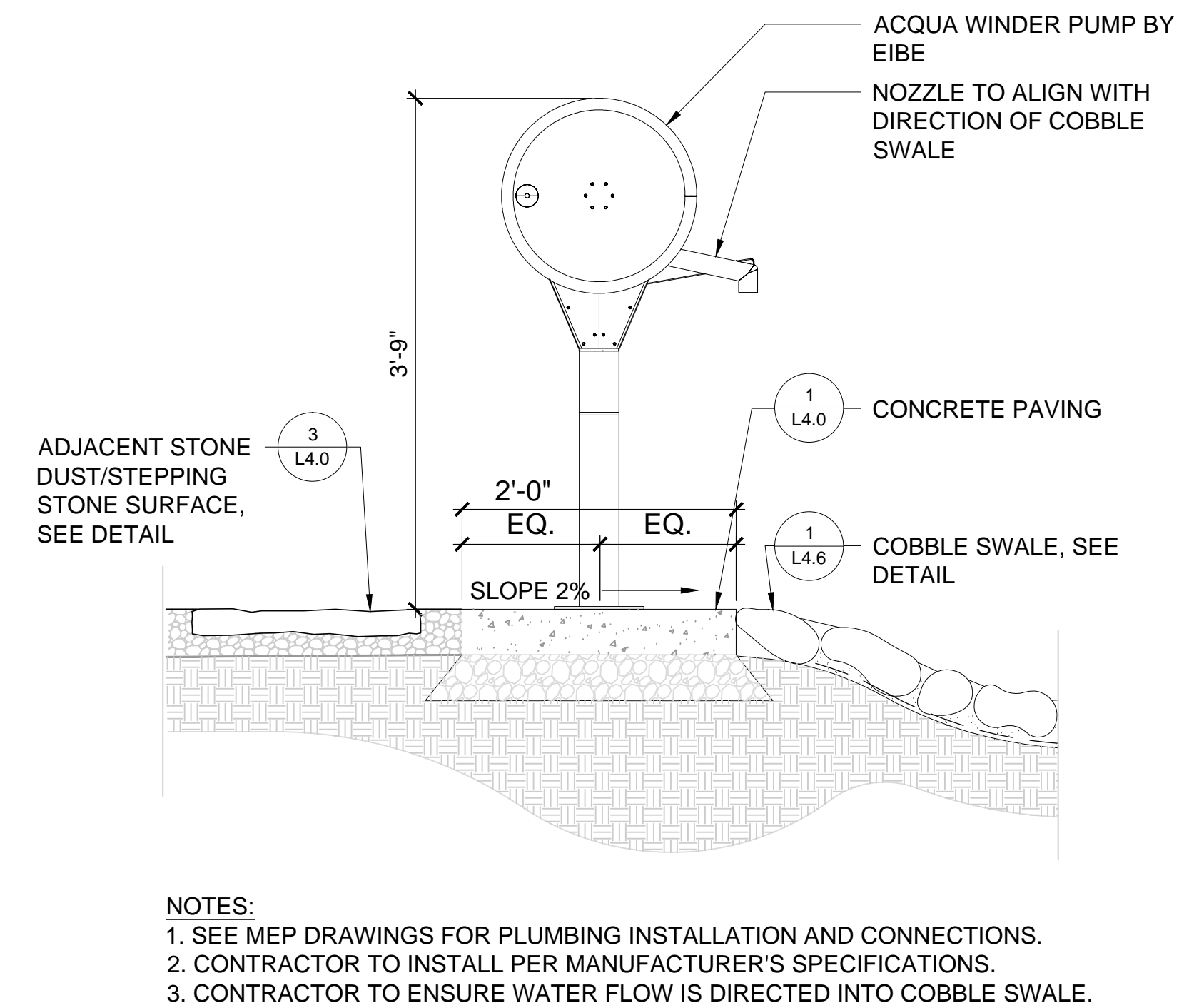


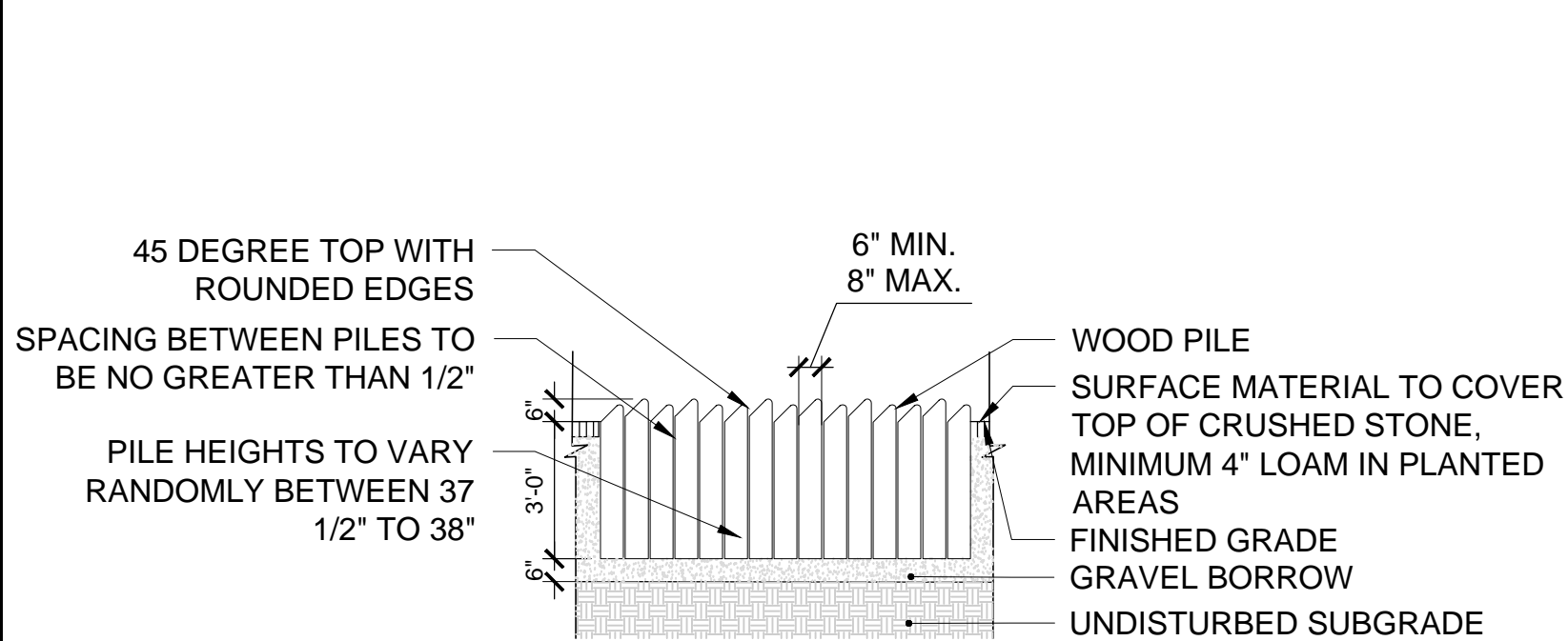
1 WOODEN FOOTBRIDGE - PLAN
 1/2" = 1'-0"



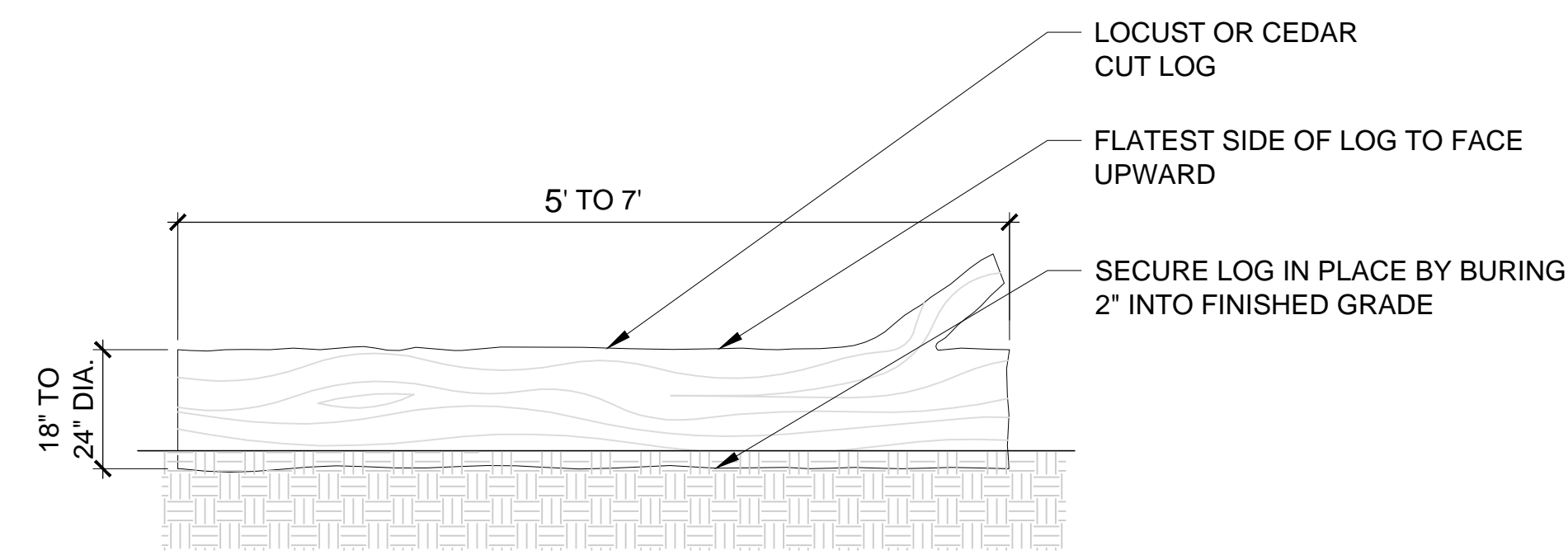
2 WOODEN FOOTBRIDGE - ELEVATION
 1/2" = 1'-0"



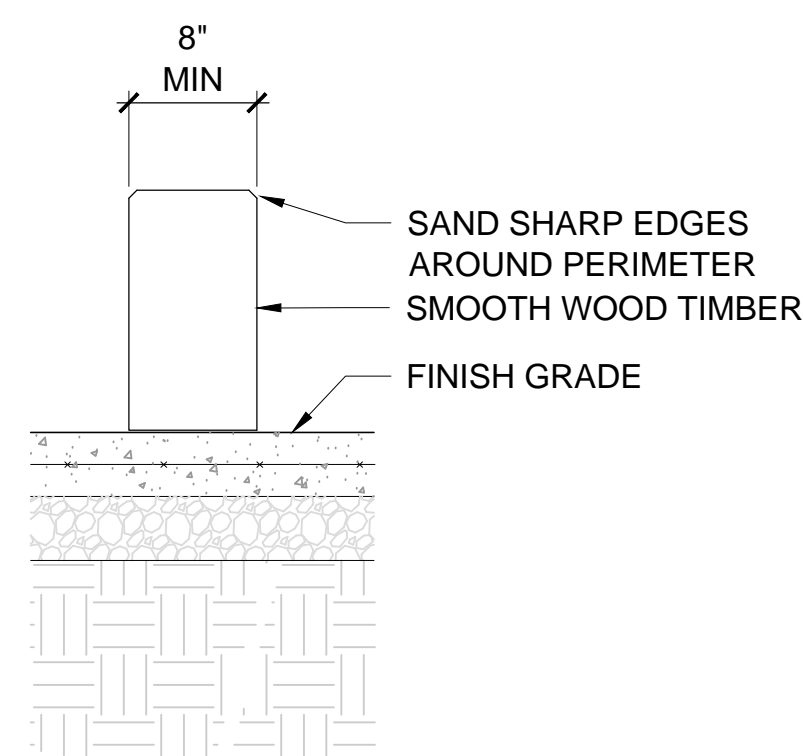
3 WATER PUMP
 1" = 1'-0"



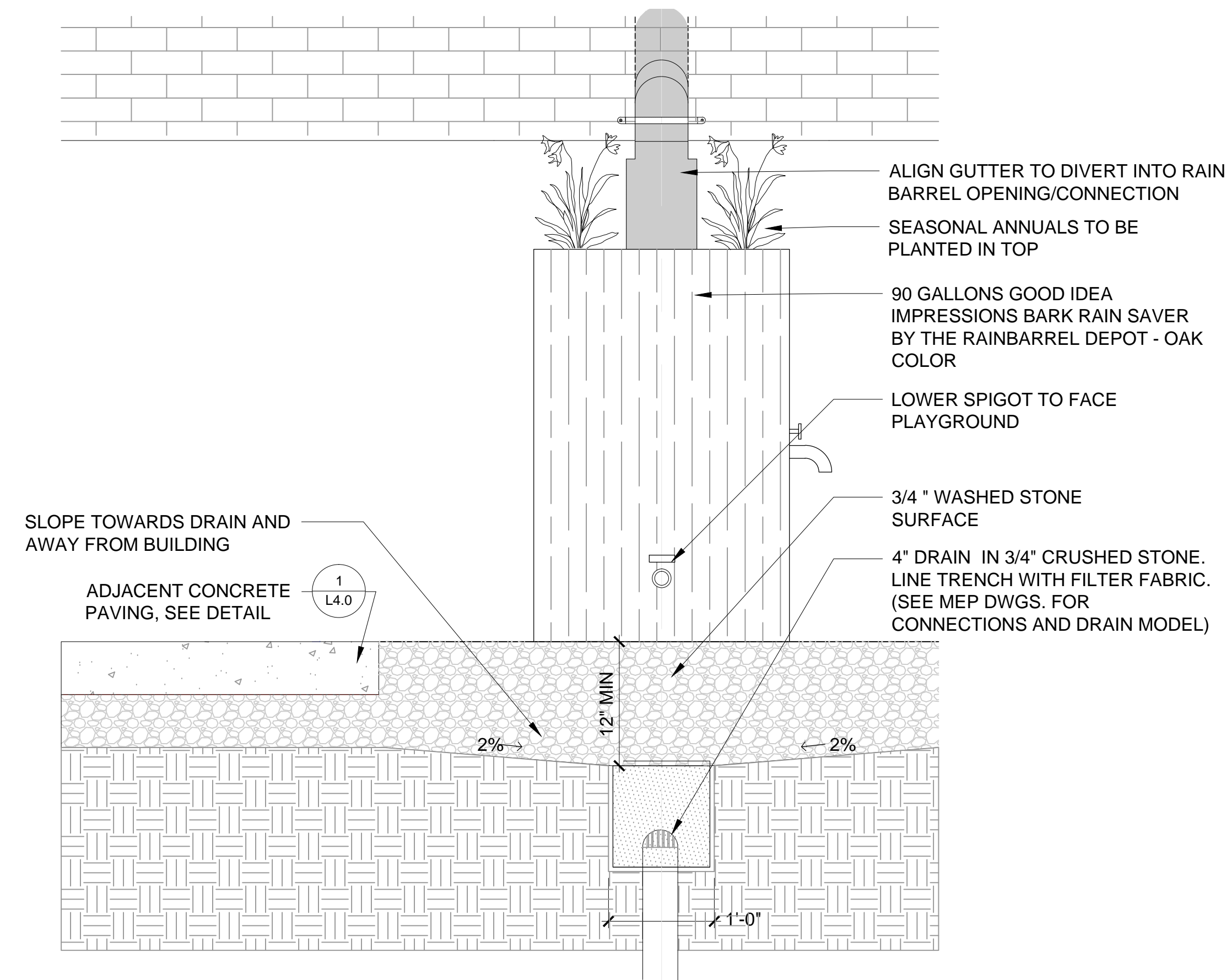
4 WOOD PILING BORDER
 1/4" = 1'-0"



5 SITTING LOG
 1/2" = 1'-0"



7 OUTDOOR SEATING
 1" = 1'-0"



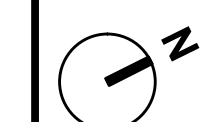
NOTE:
 SEE MEP, CIVIL AND ARCHITECTURE DRAWINGS FOR GUTTER AND DRAIN LOCATIONS AND CONNECTIONS.

8 RAIN BARREL
 1" = 1'-0"

Jewish Community Alliance of Southern Maine

Proposed Neighborhood Center

Portland, Maine



03-25-16	ISSUED FOR BID	
Mark	Date	Description
PROJECT NO.: J-0096		
FILE:		
DRAWN BY: ARW		
CHECKED:		
APPROVED BY:		

HARDSCAPE DETAILS (PLAYGROUND EQUIPMENTS)

SCALE: AS NOTED