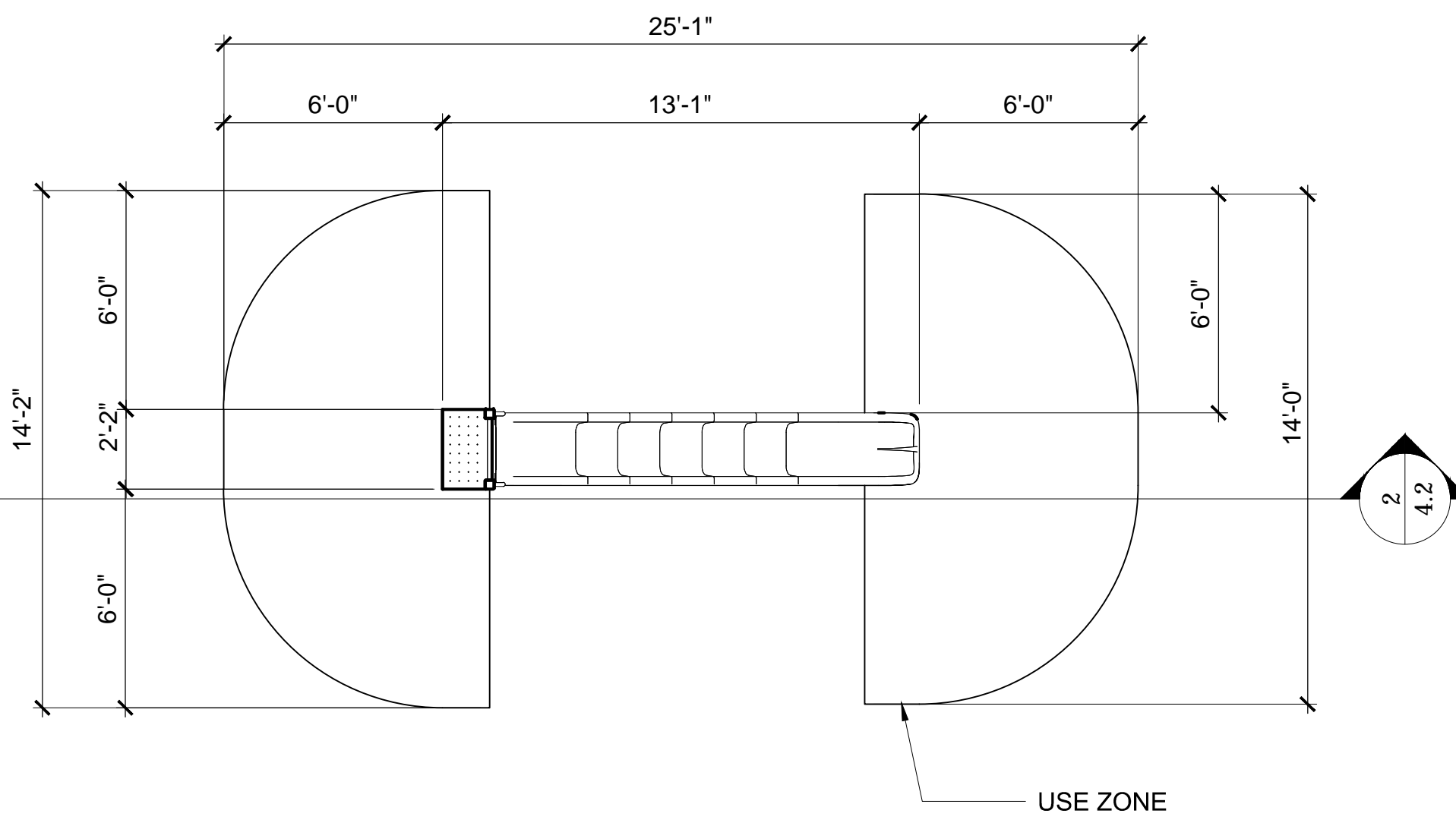


Mark	Date	Description
	03-25-16	ISSUED FOR BID
		PROJECT NO: J-0096
		FILE:
		DRAWN BY: ARW
		CHECKED:
		APPROVED BY:

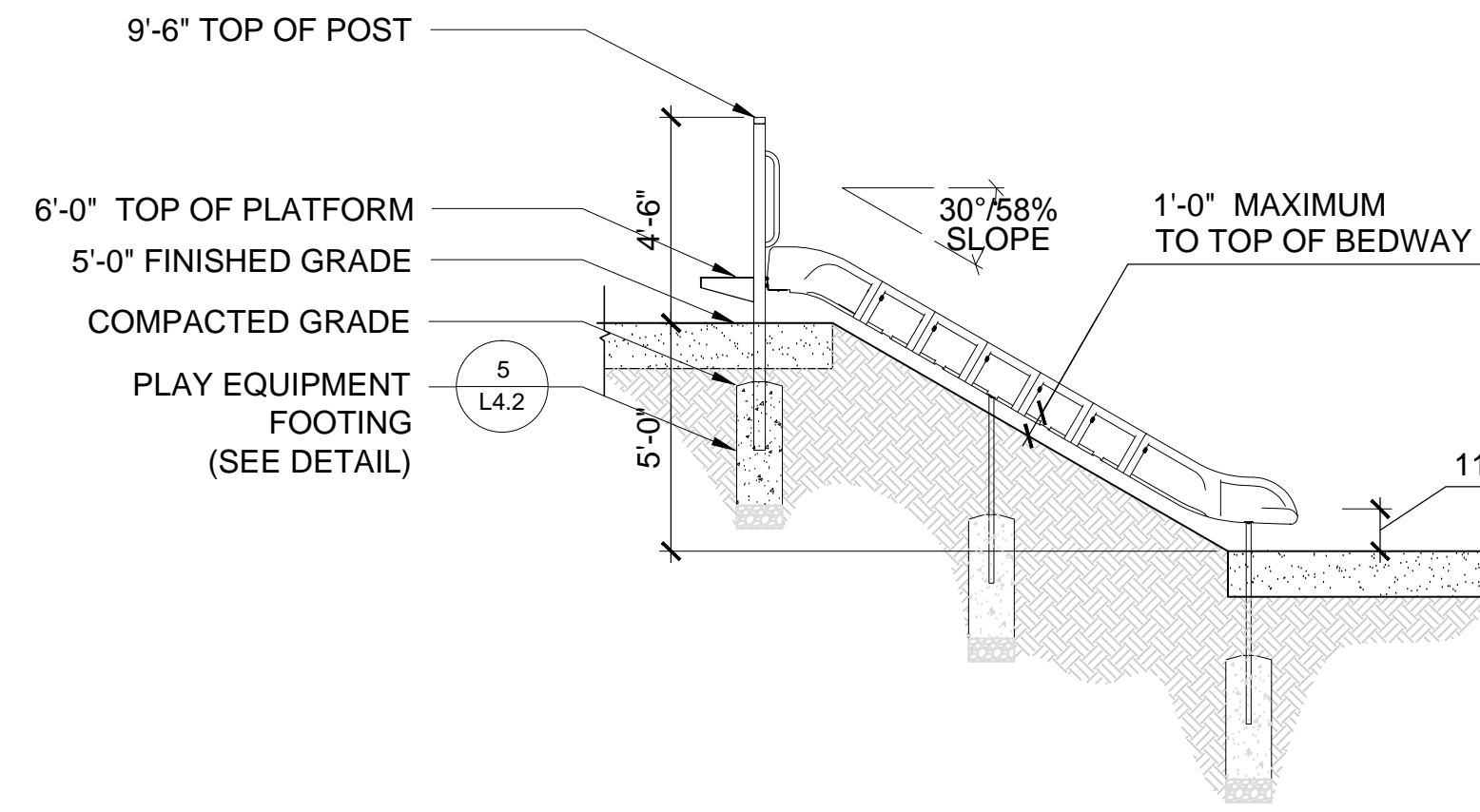
**HARDSCAPE DETAILS**  
(PLAYGROUND EQUIPMENTS)

SCALE: AS NOTED



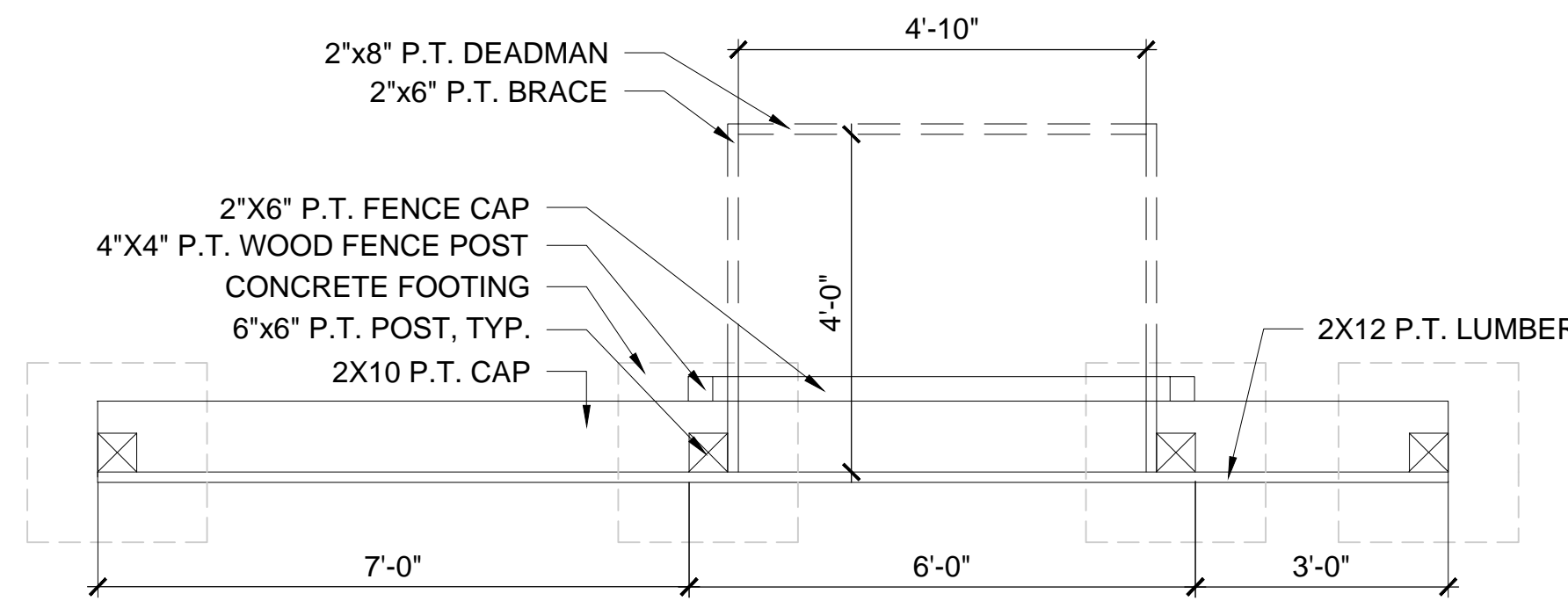
**1** EMBANKMENT SLIDE CHUTE SIDE PLAN

1/4" = 1'-0"



**2** EMBANKMENT SLIDE CHUTE SIDE ELEVATION

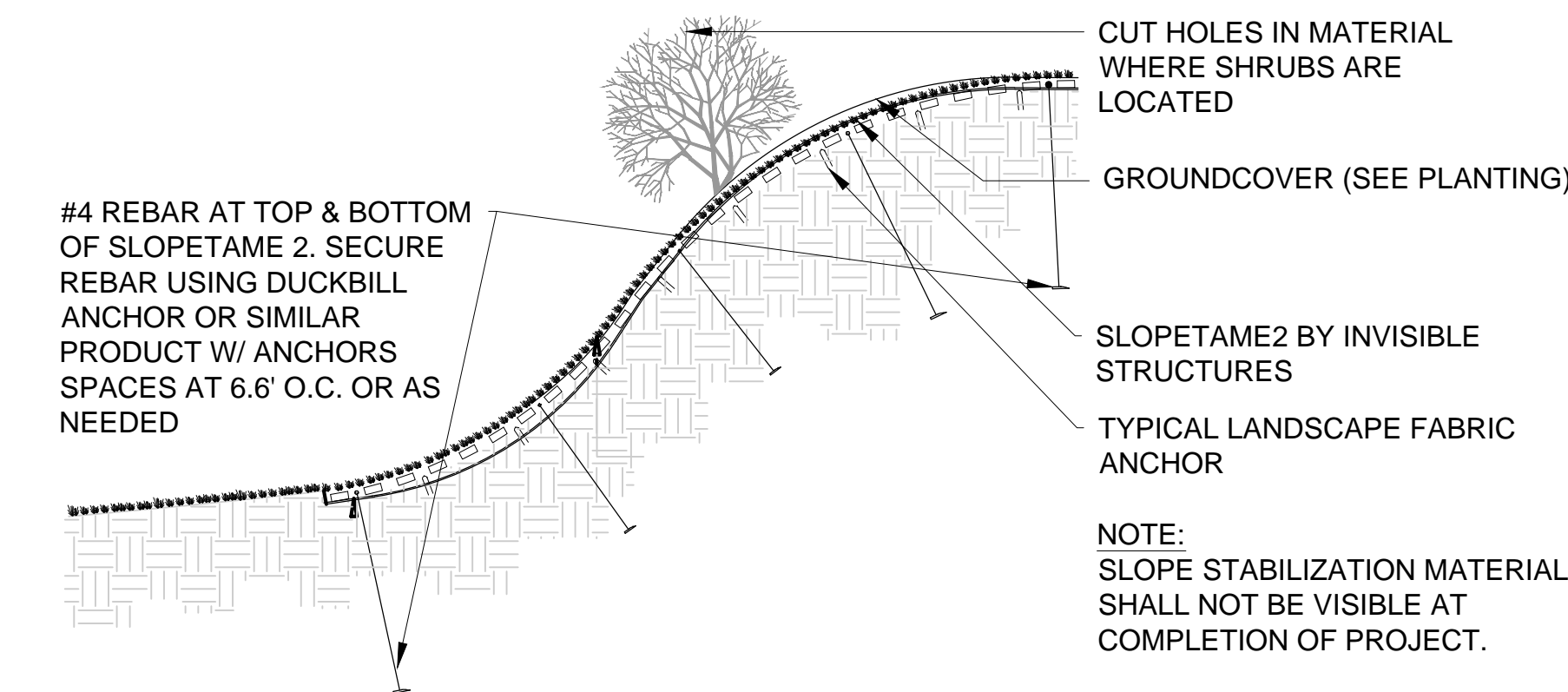
1/4" = 1'-0"



NOTE:  
ALL FASTENING HARDWARE TO BE STAINLESS  
STEEL AND NON-PROTRUDING.

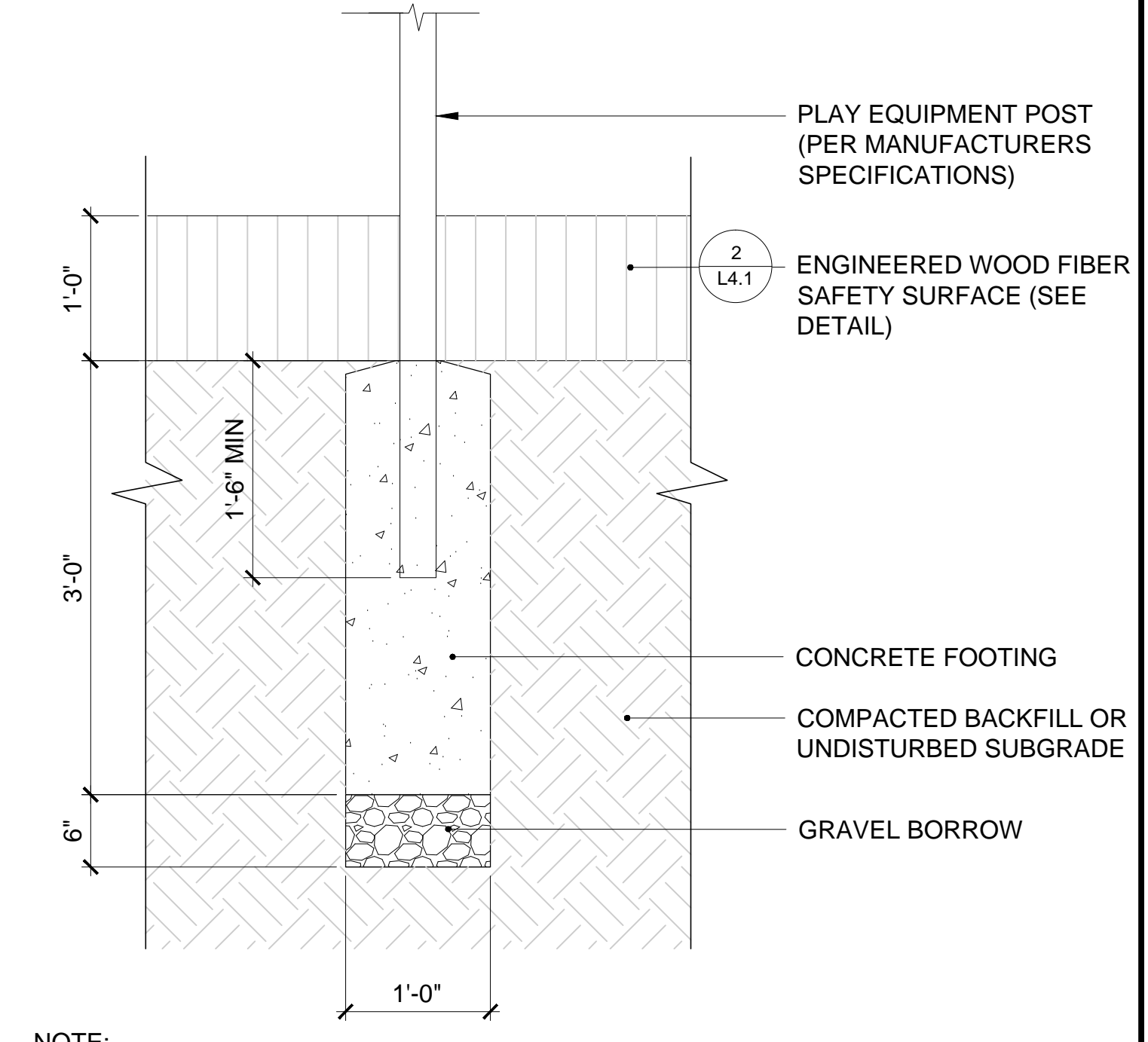
**3** CLIMBING WALL PLAN

1/2" = 1'-0"



**4** SLOPE STABILIZATION

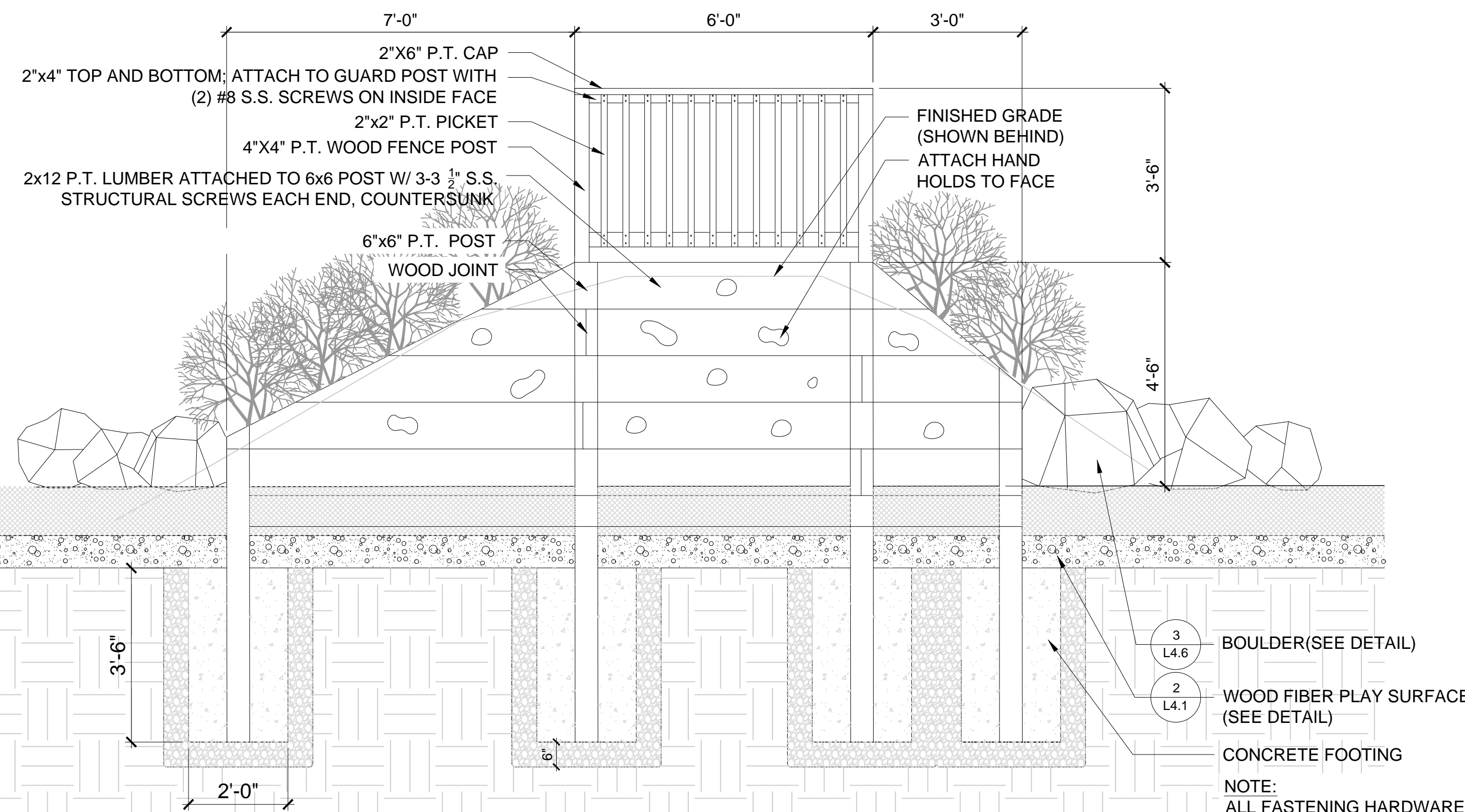
NTS



NOTE:  
FOOTERS SHALL BE INSTALLED PER MANUFACTURER'S  
RECOMMENDATIONS. ACTUAL SOIL CONDITIONS SHALL BE  
VERIFIED BEFORE EXCAVATING FOOTERS.

**5** PLAY EQUIPMENT FOOTING

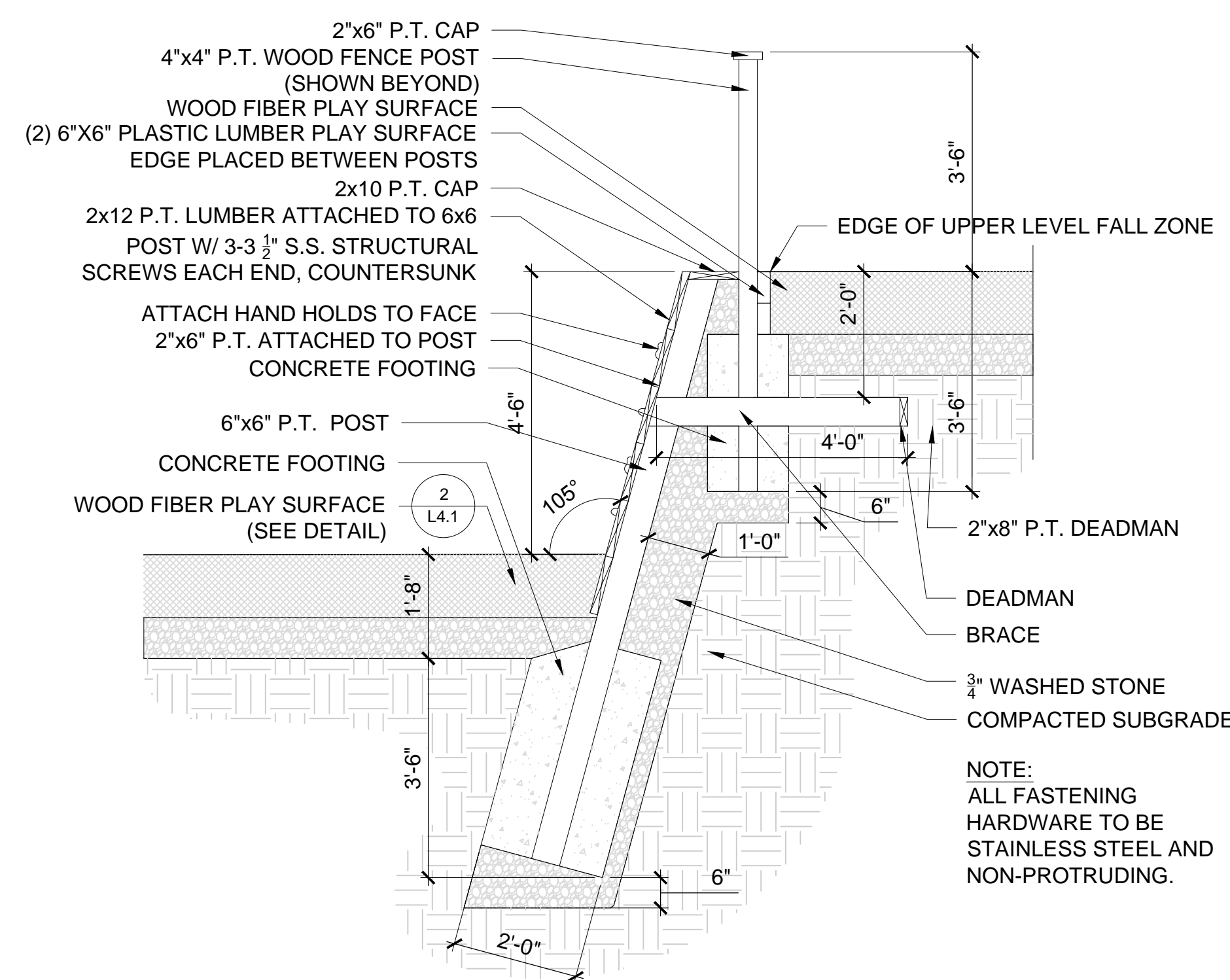
1" = 1'-0"



NOTE:  
ALL FASTENING HARDWARE  
TO BE STAINLESS STEEL  
AND NON-PROTRUDING.

**7** CLIMBING WALL ELEVATION

1/2" = 1'-0"



NOTE:  
ALL FASTENING  
HARDWARE TO BE  
STAINLESS STEEL AND  
NON-PROTRUDING.

**6** CLIMBING WALL SECTION

1/2" = 1'-0"