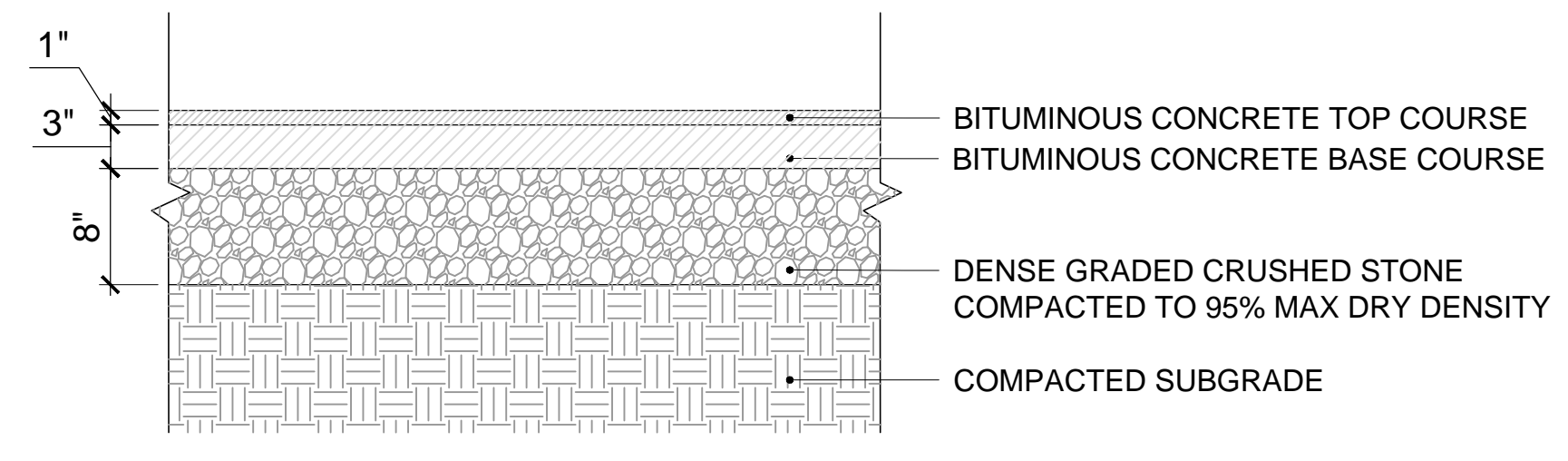
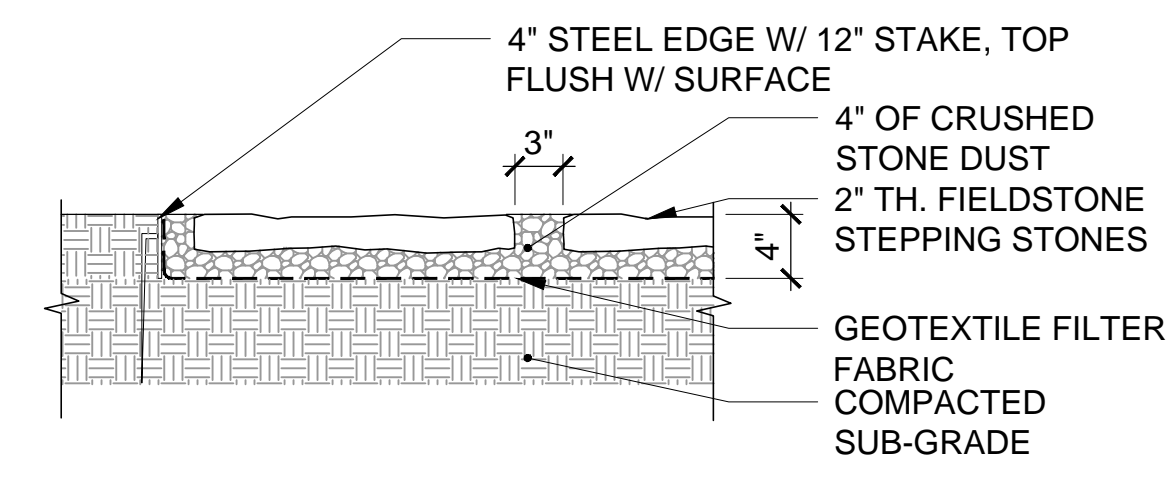


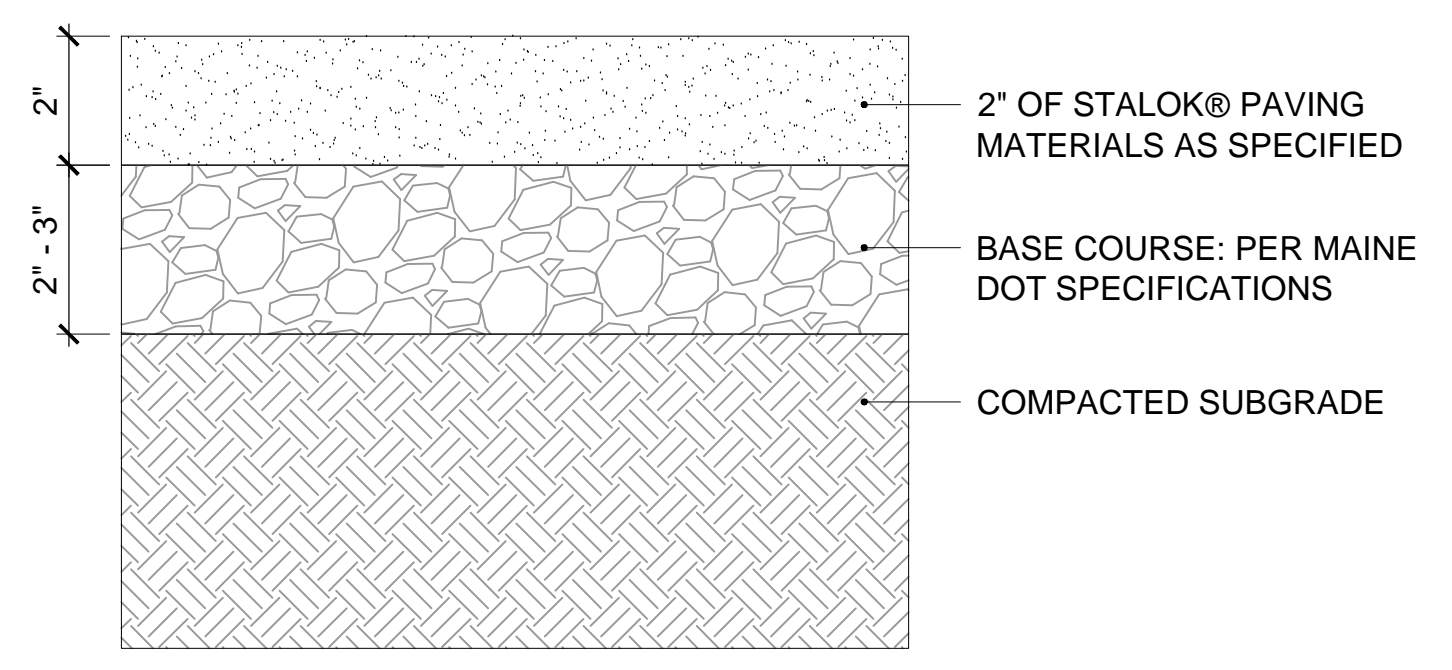
1 CONCRETE PAVING
1" = 1'-0"



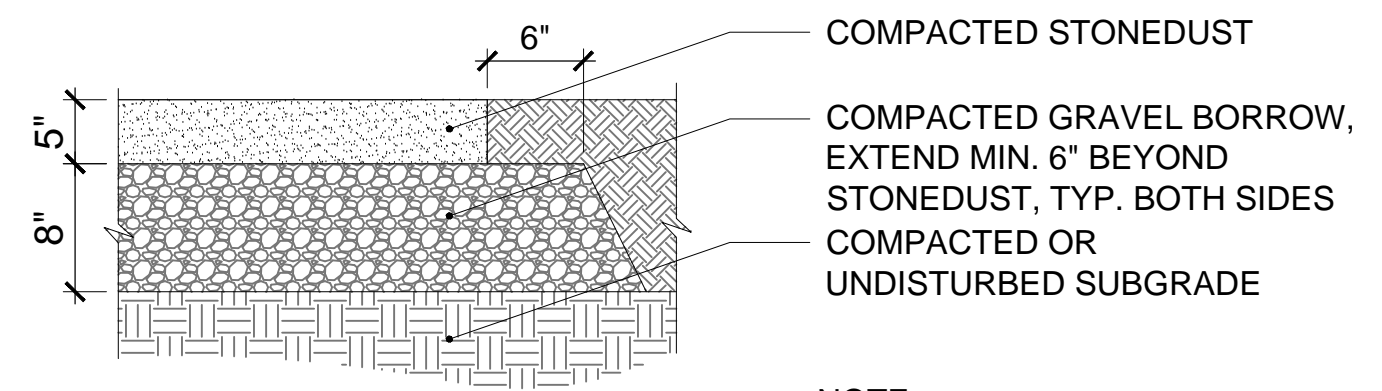
2 BITUMINOUS CONCRETE PAVEMENT
1" = 1'-0"



3 STEPPING STONE SURFACE
1" = 1'-0"



4 STALOK PAVING MATERIAL - ALT A
1/2" = 1'-0"



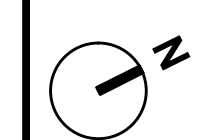
5 STONE DUST PAVING
1" = 1'-0"

NOTE:
EDGE CONDITION VARIES - SEE MATERIALS PLAN

Jewish Community Alliance of Southern Maine

Proposed Neighborhood Center

Portland, Maine



Mark	Date	Description
	03-25-16	ISSUED FOR BID
		PROJECT NO: J-0096
		FILE:
		DRAWN BY: ARW
		CHECKED:
		APPROVED BY:

HARDSCAPE DETAILS (PAVEMENTS)

SCALE: AS NOTED

L-4.0