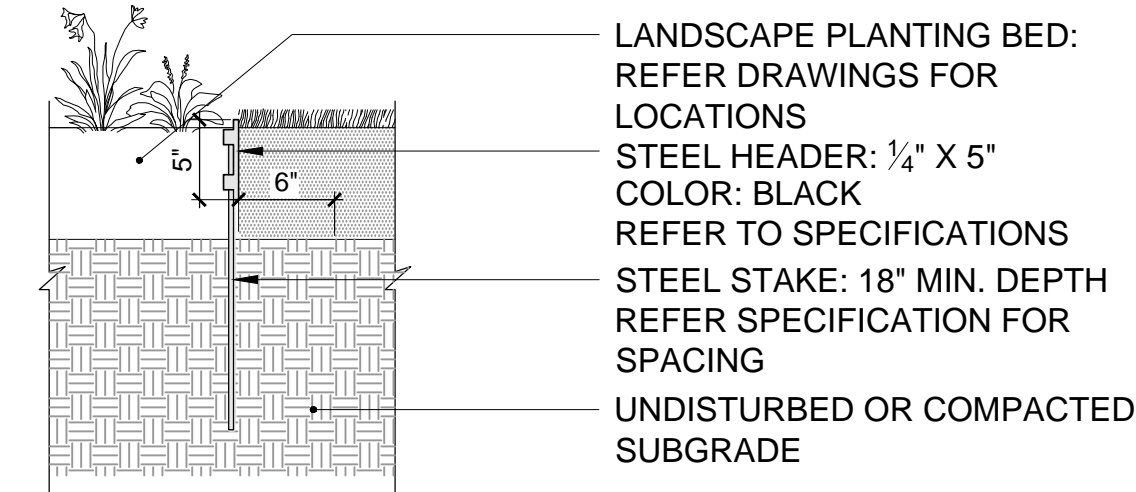
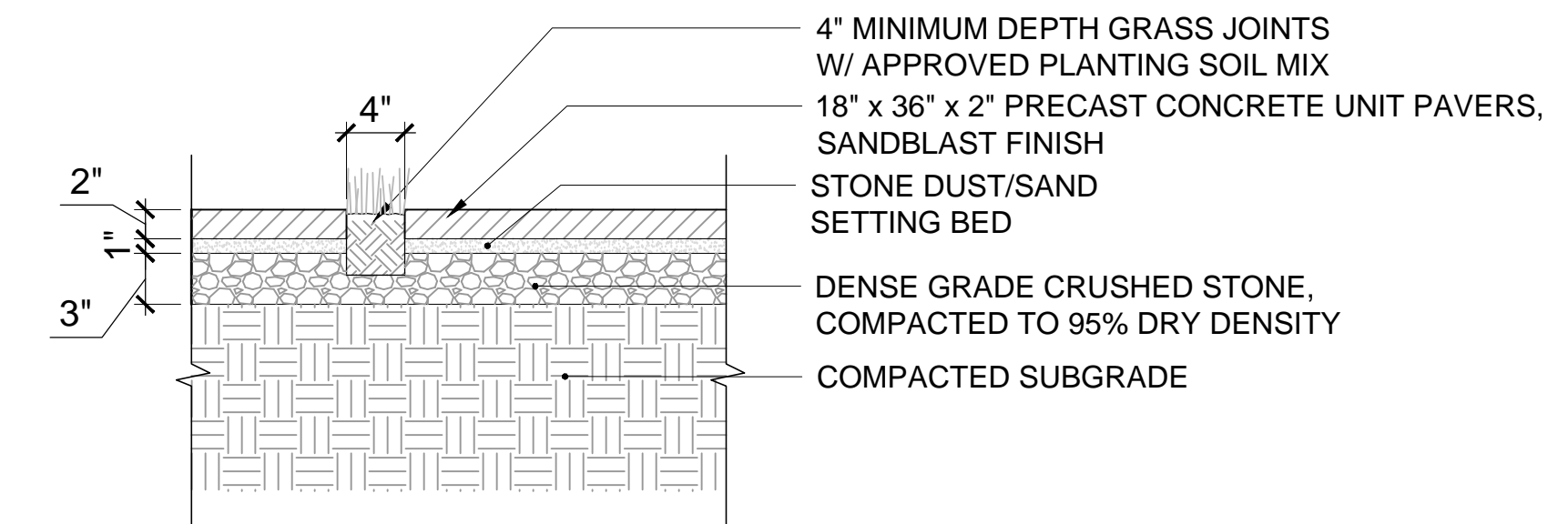


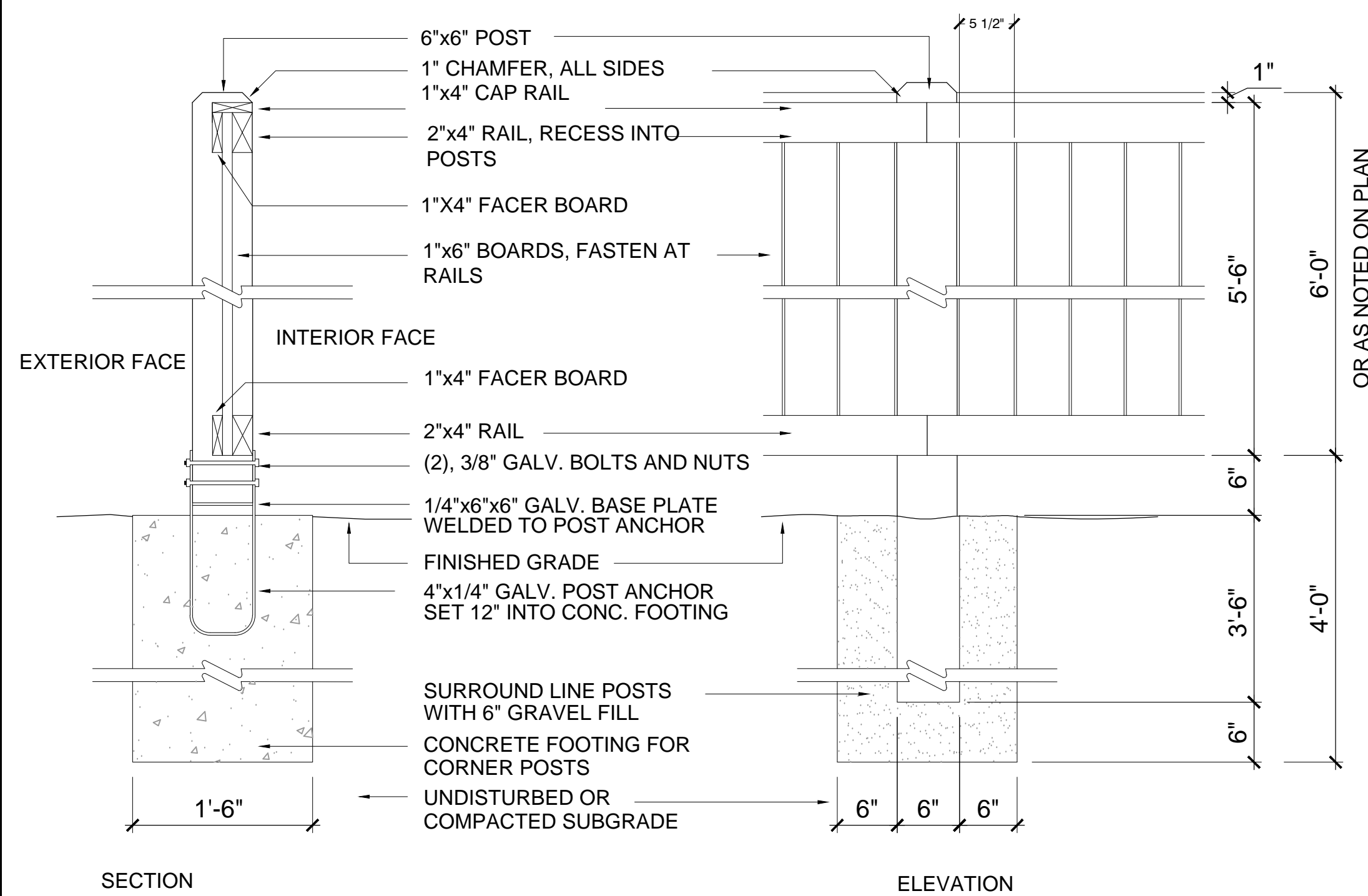
1 SHOVEL CUT HEADER AT PLANTING BED
NTS



2 STEEL EDGING
NTS



3 PRECAST CONCRETE UNIT PAVER LAWN
1" = 1'-0"



- NOTE:
1. CONSTRUCT FENCE FROM WHITE CEDAR TIMBERS - NO STAIN OR PAINT
 2. USE ALL GALVANIZED FASTENERS.
 3. SET GALVANIZED BASE PLATE 1" ABOVE CONCRETE FOOTING
 4. ALIGN ALL POSTS IN A TRUE AND STRAIGHT LINE
 5. ALL DIMENSIONS ARE NOMINAL.

4 WHITE CEDAR PERIMETER FENCE
N.T.S.

Jewish
Community
Alliance of
Southern Maine

Proposed
Neighborhood
Center

Portland, Maine



Mark	Date	Description
	03-25-16	ISSUED FOR BID
		PROJECT NO. J-0096
		FILE:
		DRAWN BY: ARW
		CHECKED:
		APPROVED BY:

LANDSCAPE DETAILS

SCALE: AS NOTED

L-3.1