



HARRIMAN

AUBURN PORTLAND MANCHESTER

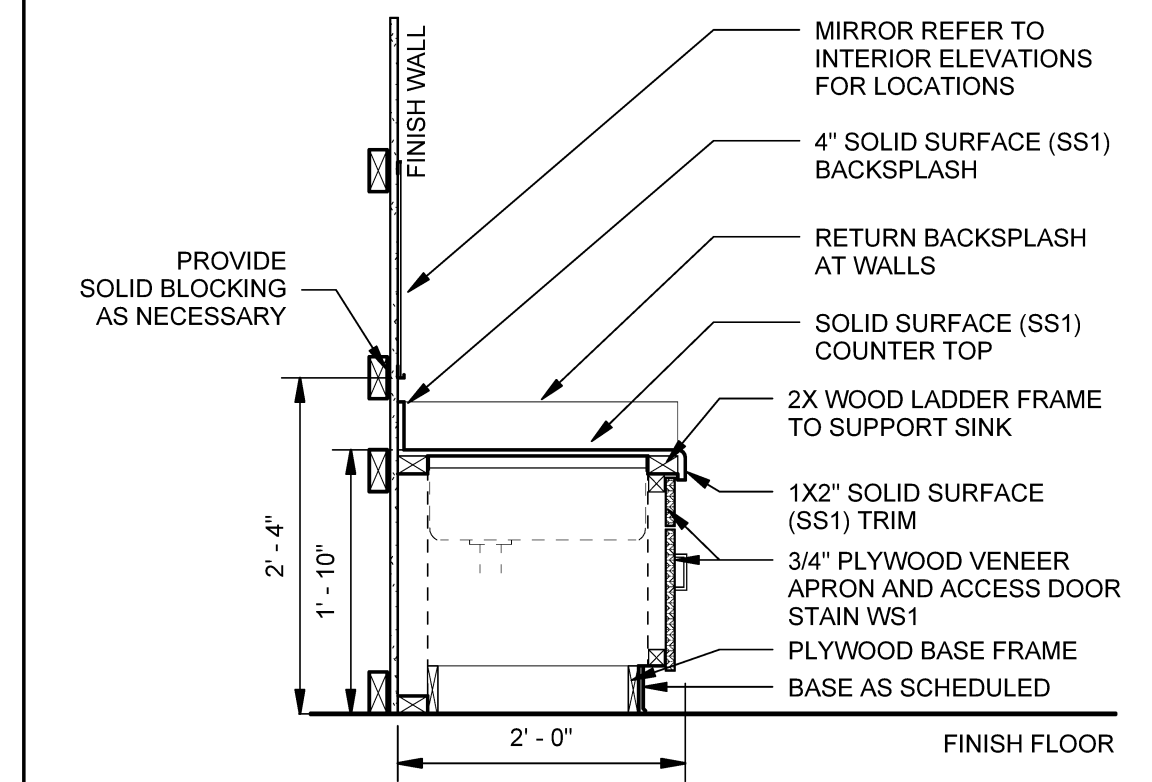
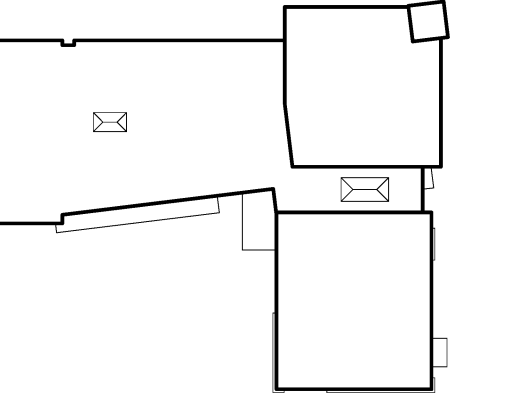
JEWISH COMMUNITY ALLIANCE OF SOUTHERN MAINE

PORTLAND, ME

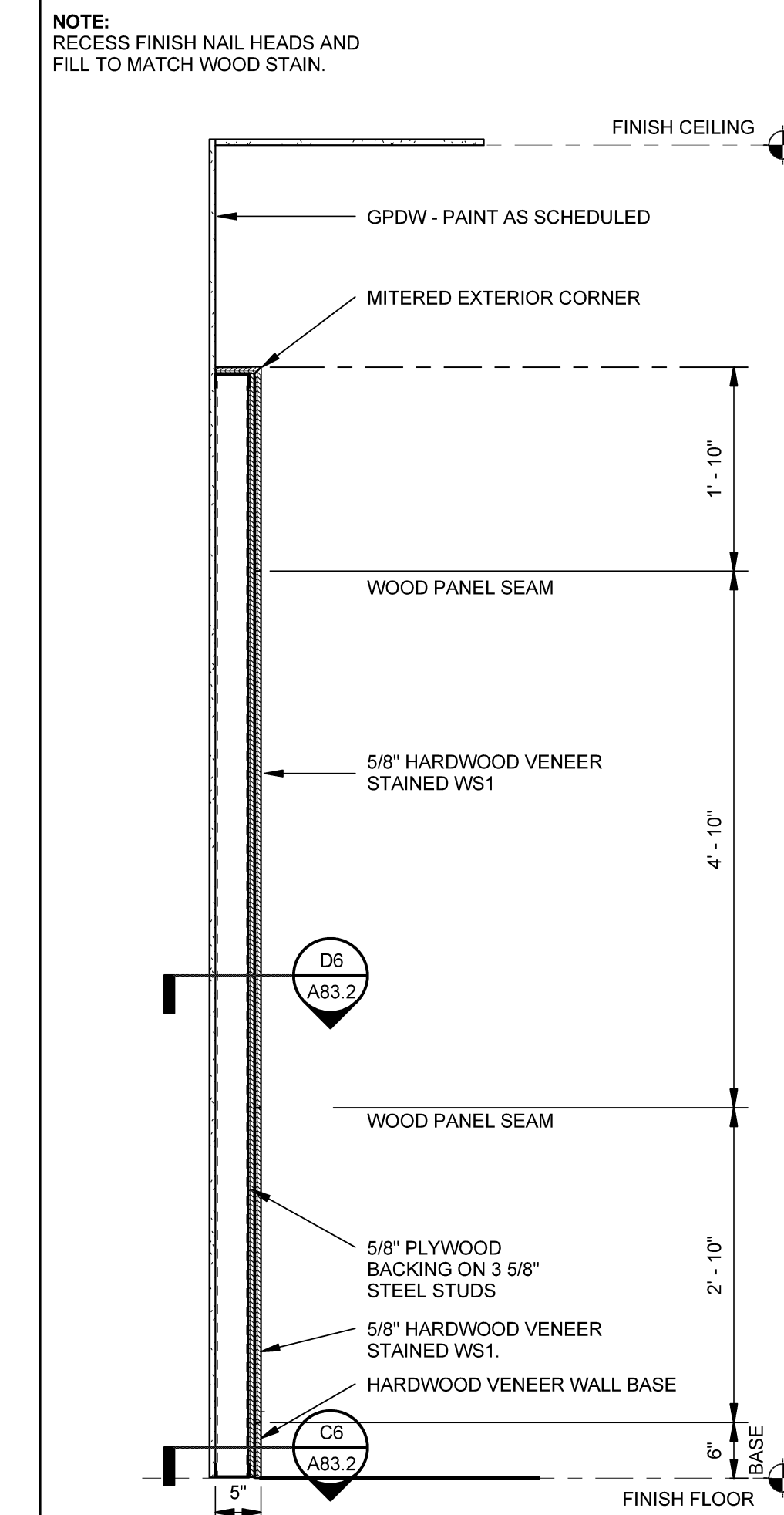
Harriman Project No. 15309

Key Plan

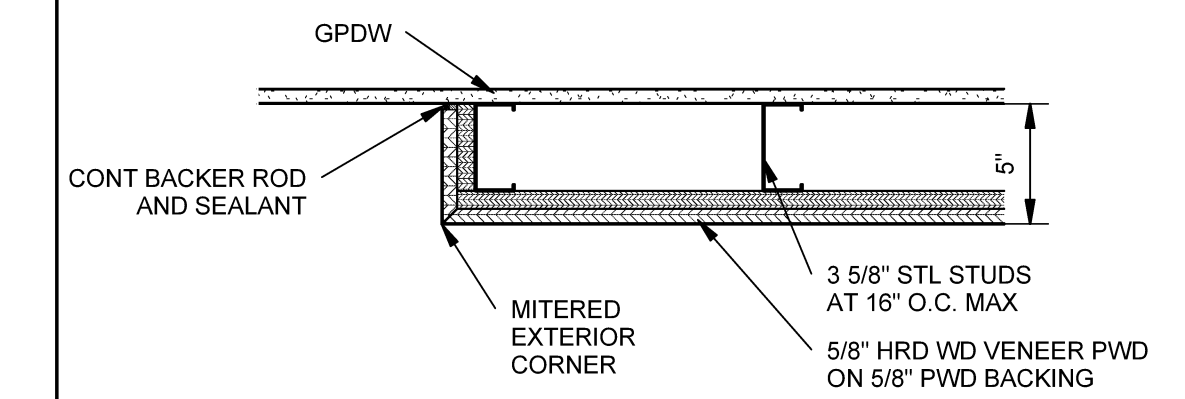
Proj North



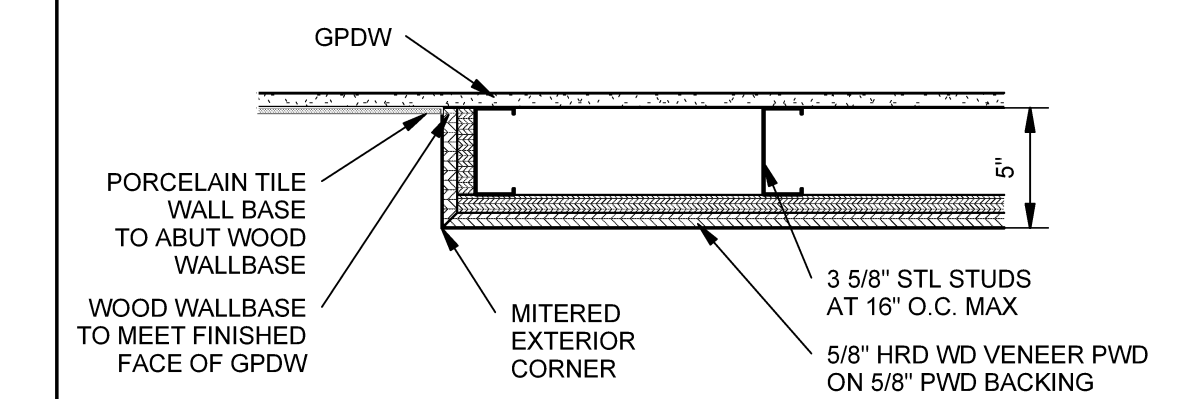
E6 SECTION AT TROUGH SINK
SCALE: 3/4" = 1'-0"



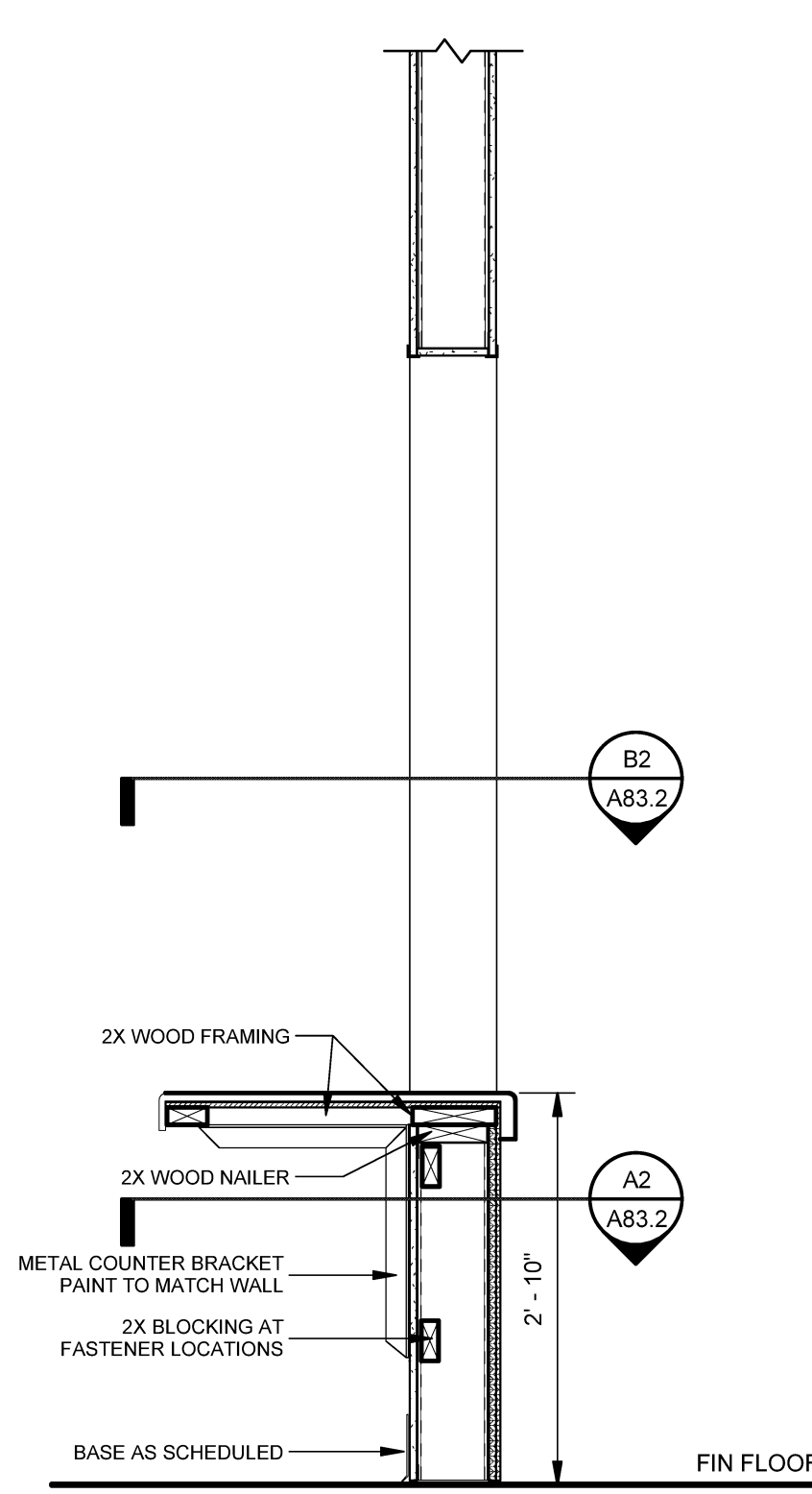
C5 WOOD PANEL SECTION DETAIL
SCALE: 3/4" = 1'-0"



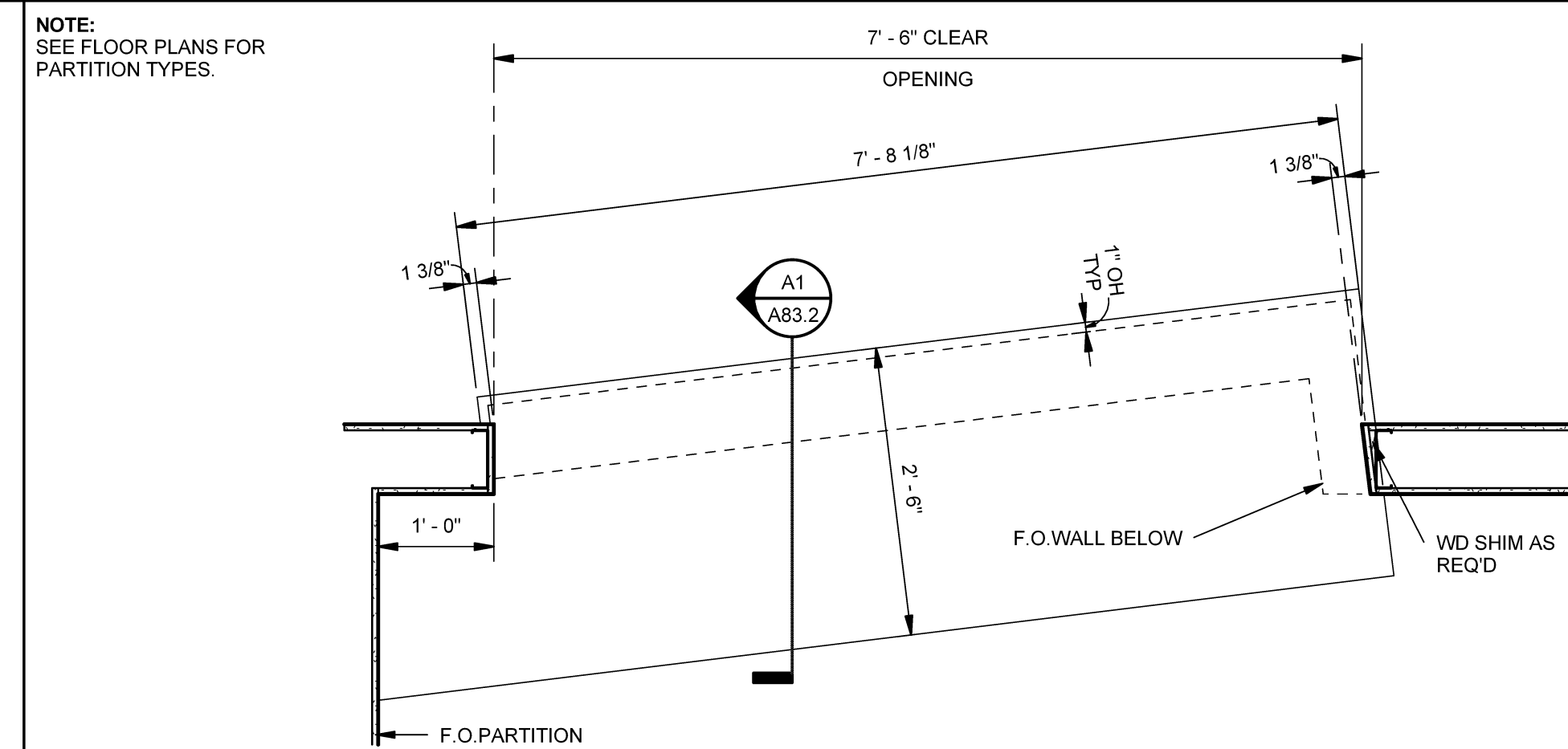
D6 WOOD PANEL PLAN DETAIL
SCALE: 1 1/2" = 1'-0"



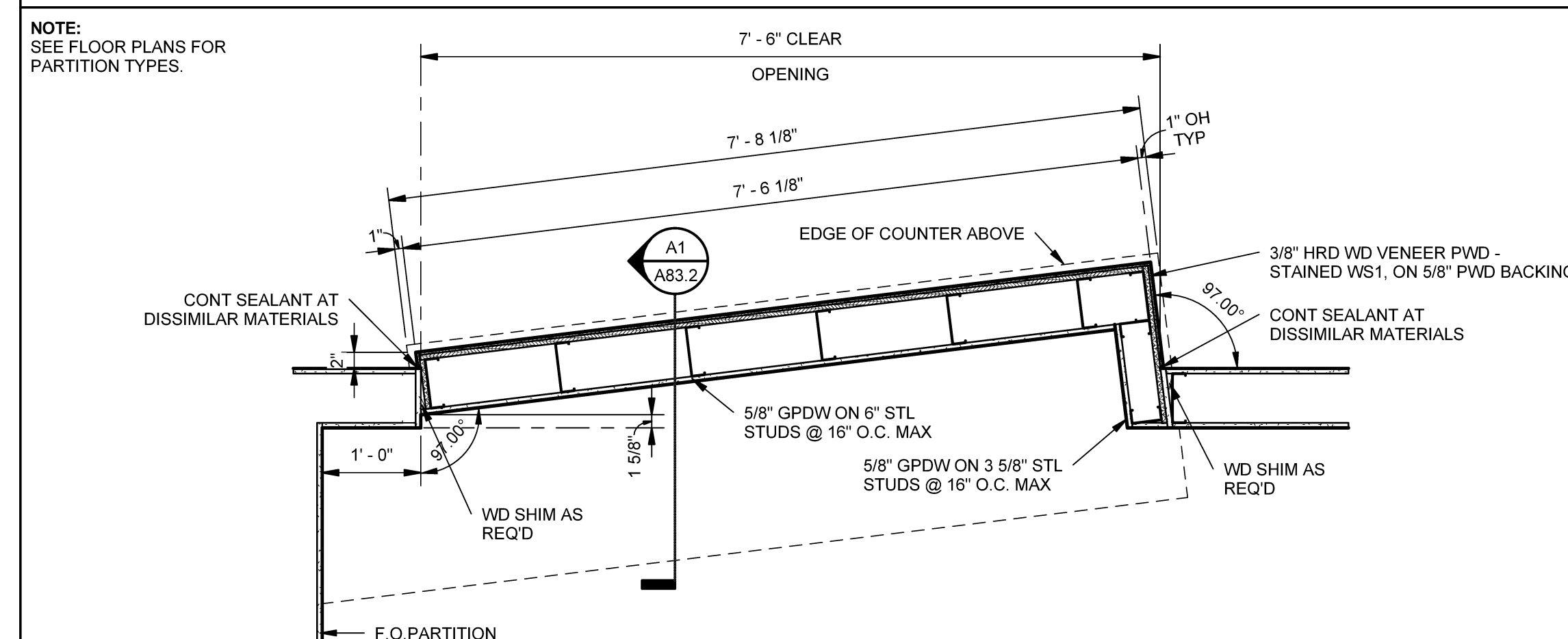
C6 WOOD PANEL PLAN DETAIL
SCALE: 1 1/2" = 1'-0"



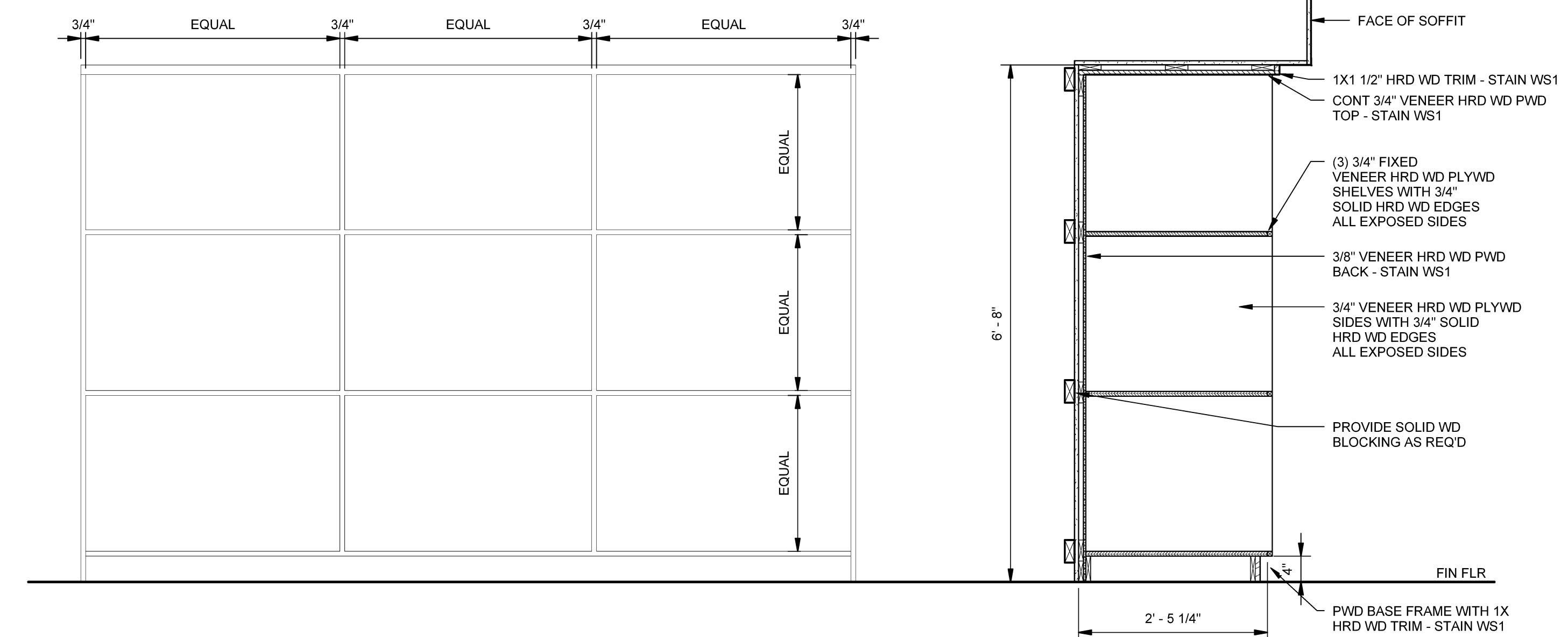
A1 RECEPTION COUNTER SECTION DETAIL
SCALE: 3/4" = 1'-0"



B2 RECEPTION COUNTER PLAN
SCALE: 3/4" = 1'-0"

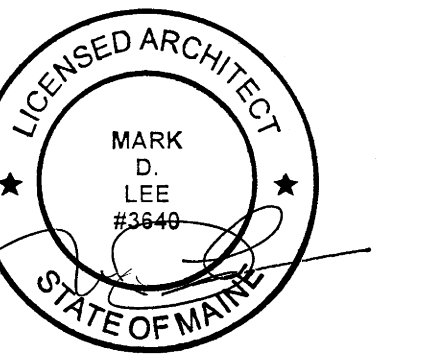


A2 RECEPTION COUNTER PLAN DETAIL
SCALE: 3/4" = 1'-0"



A4 CAR SEAT STORAGE DETAIL
SCALE: 3/4" = 1'-0"

Mark	Date	Description
-	03-25-16	CONSTRUCTION DOCUMENTS



Drawing Scales	As indicated

PA/PE: MDL © 2016 Harriman Associates
Drawn By: JAE

MILLWORK DETAILS

A83.2