



HARRIMAN

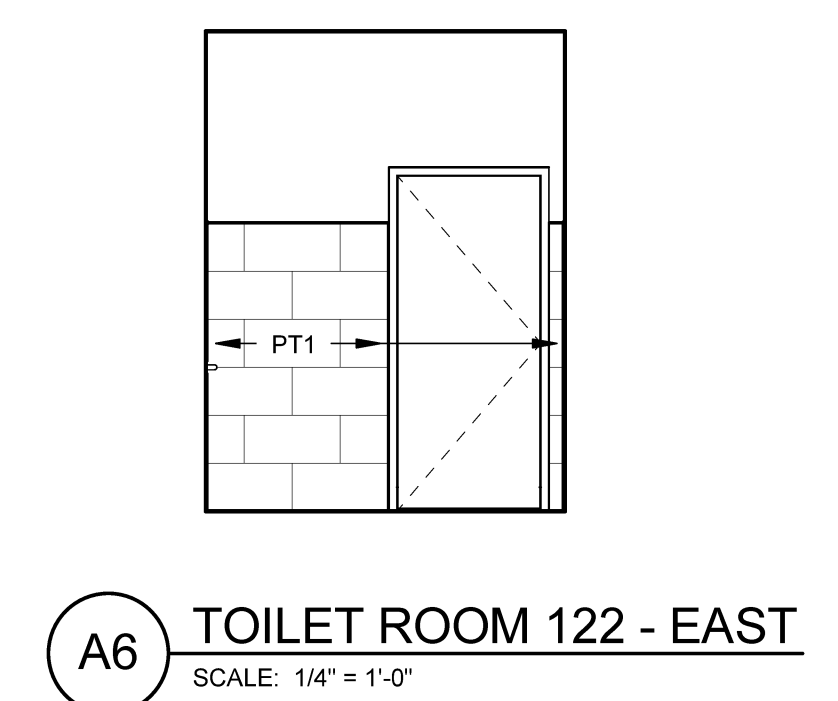
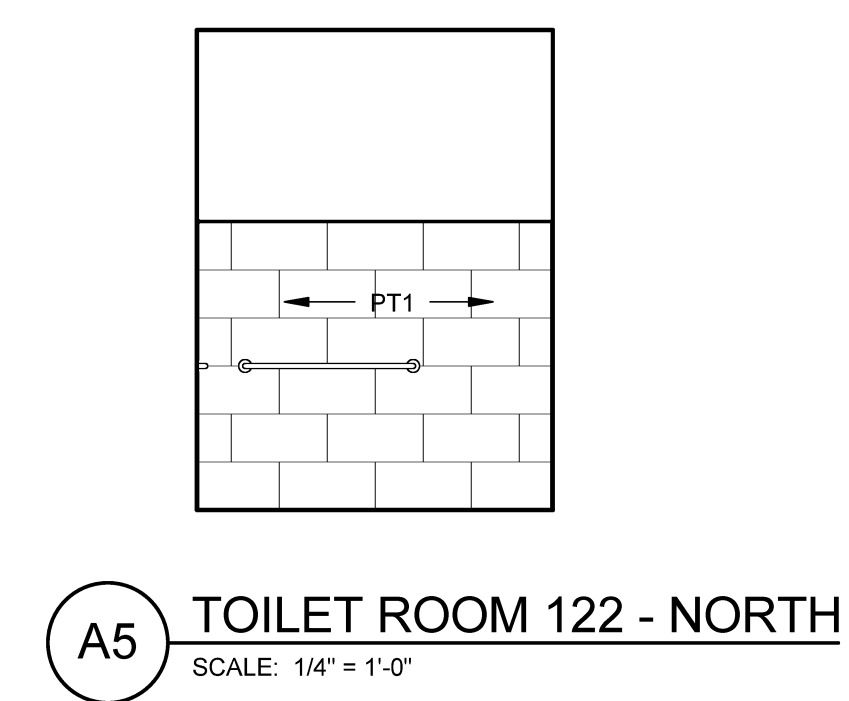
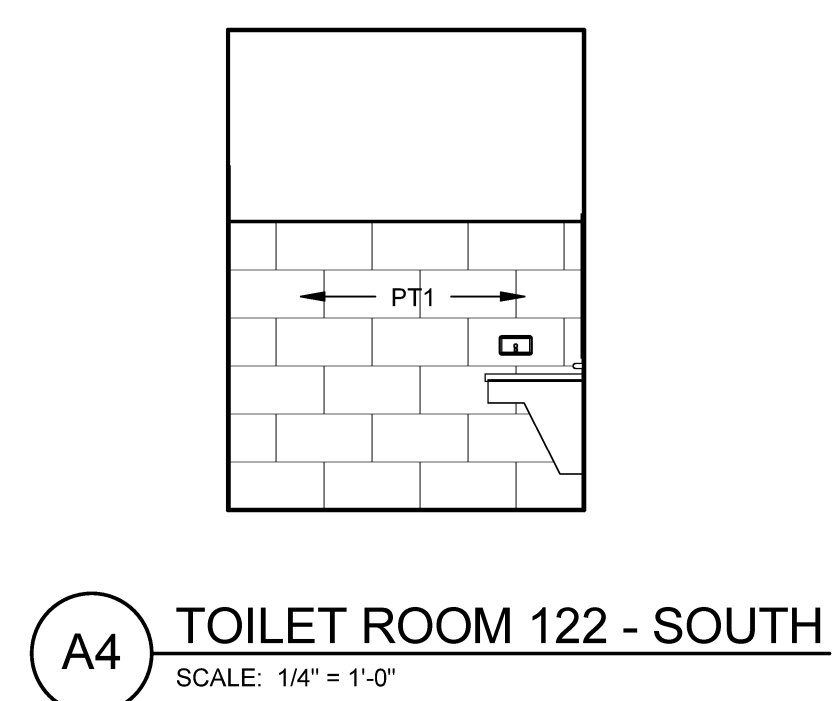
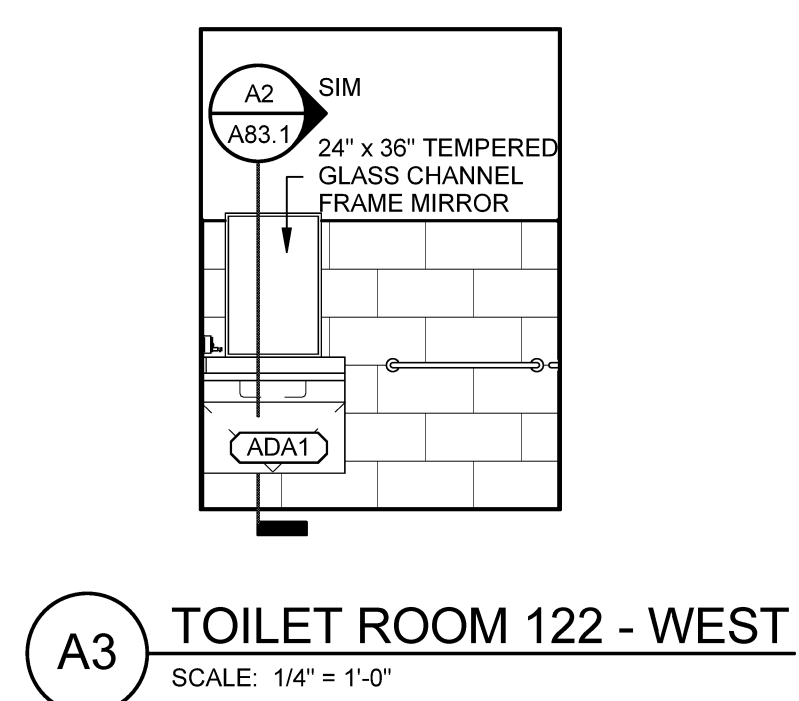
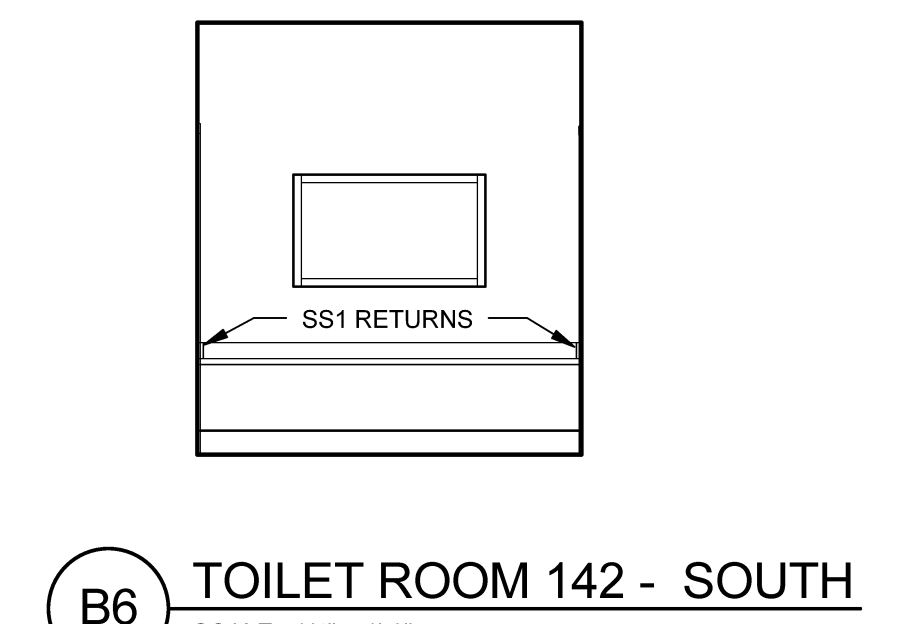
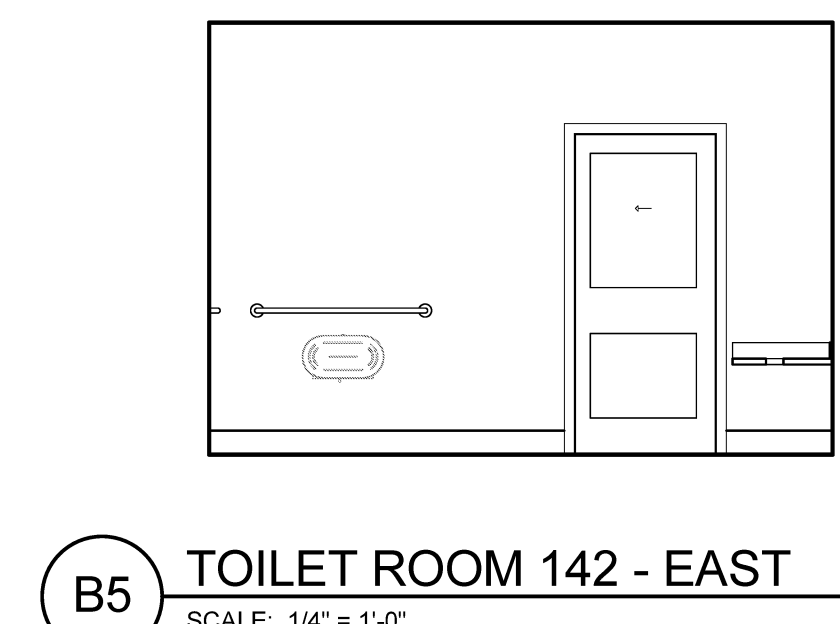
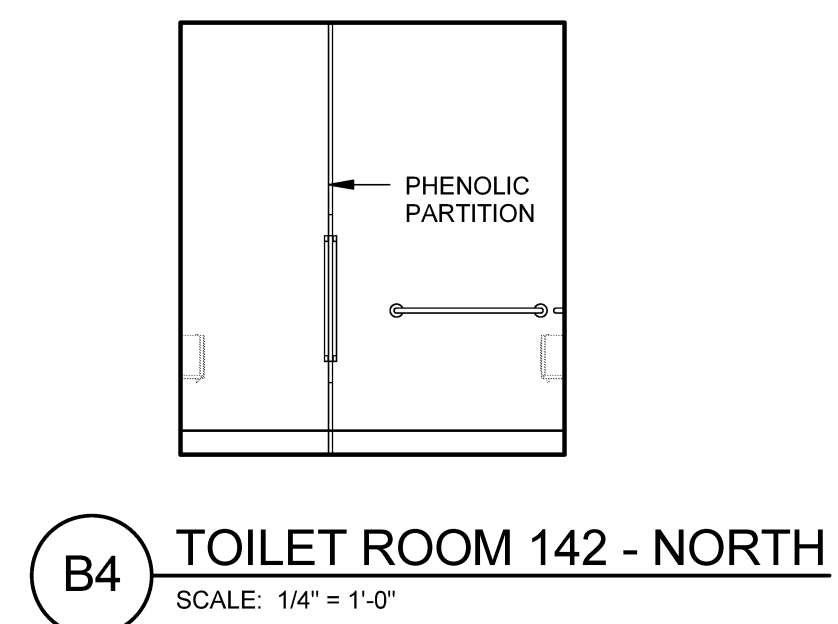
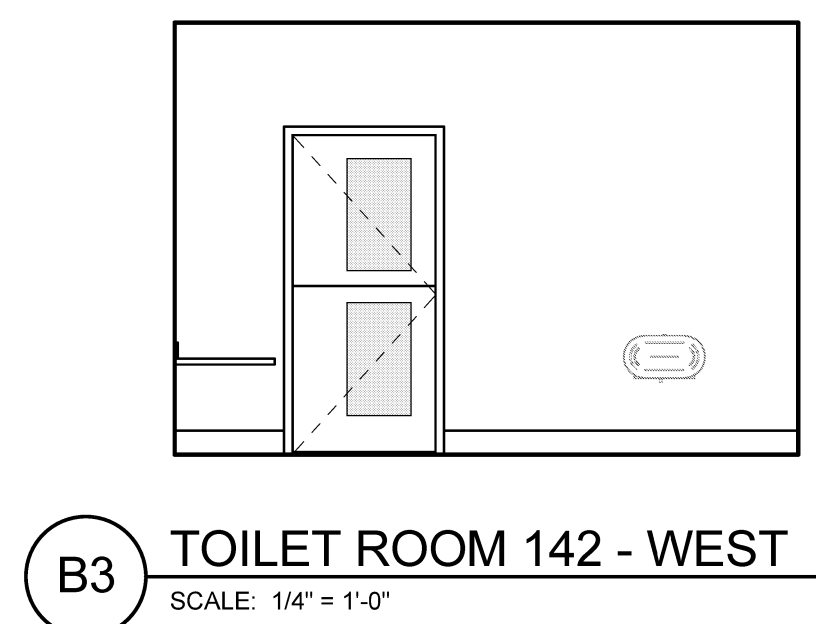
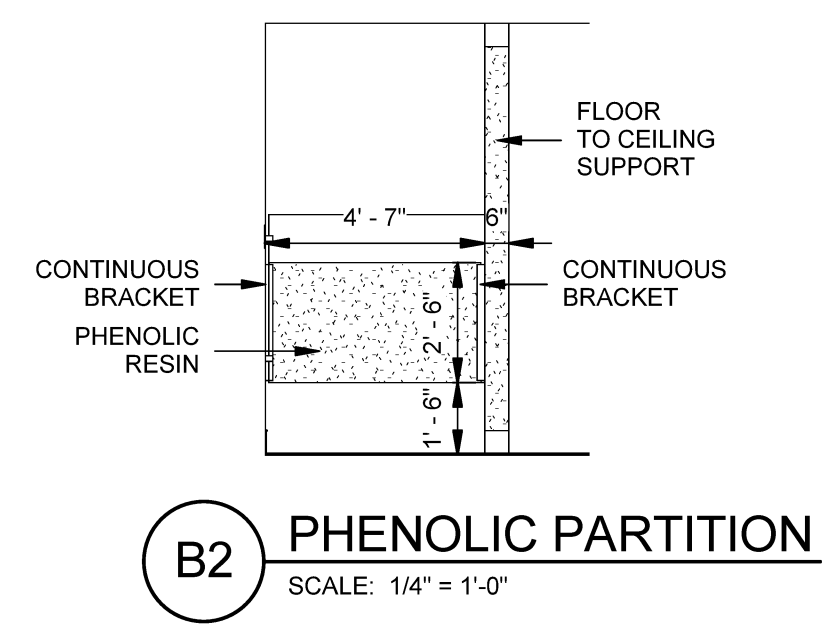
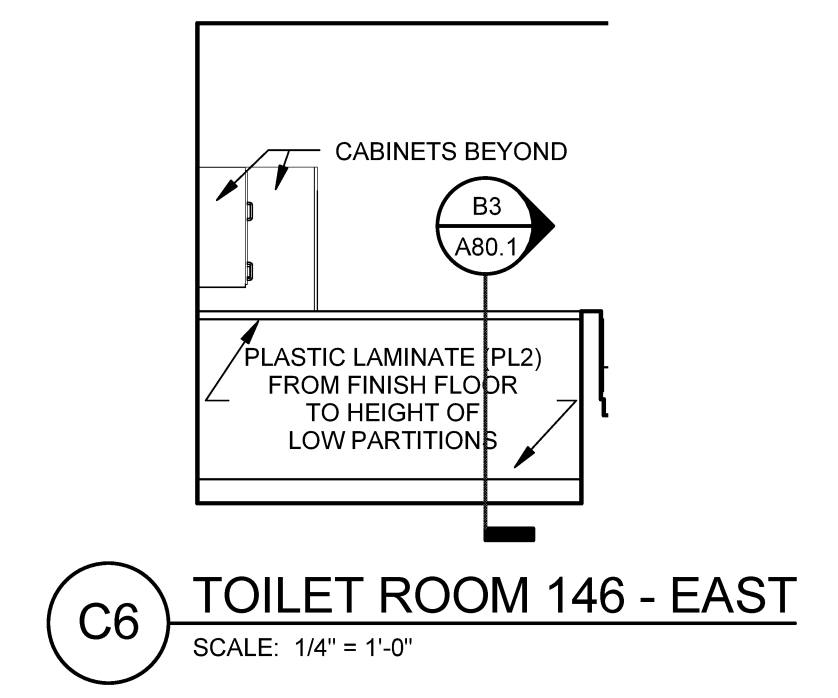
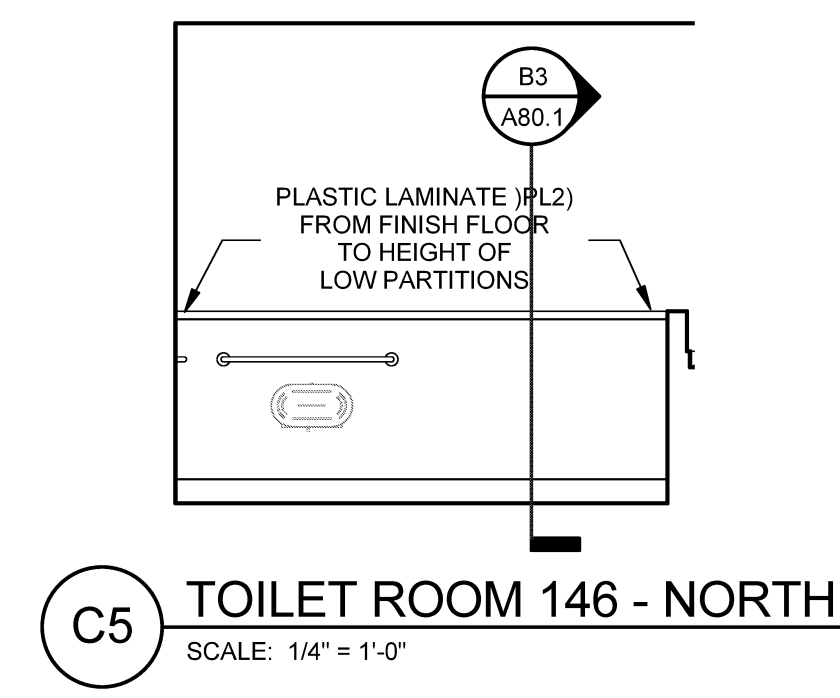
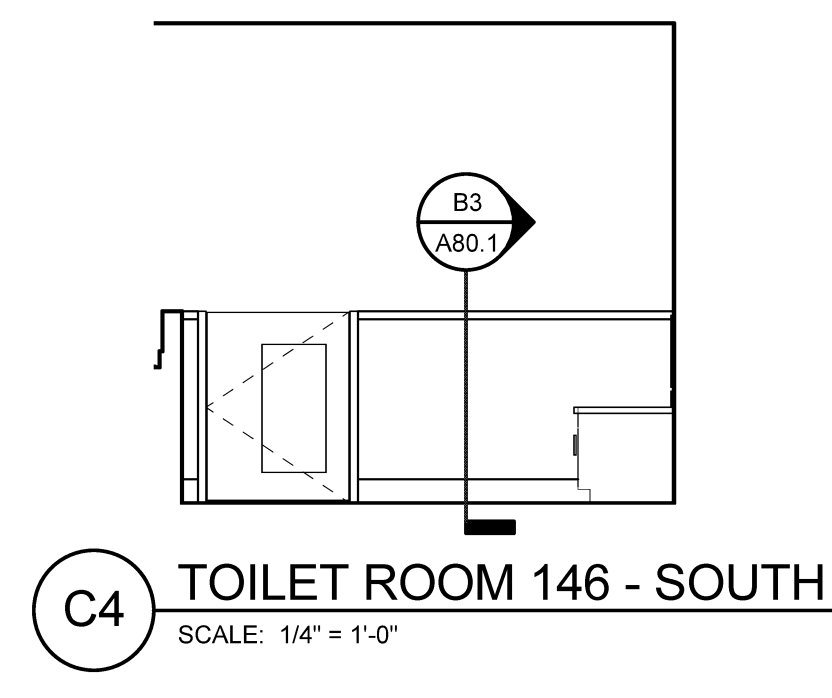
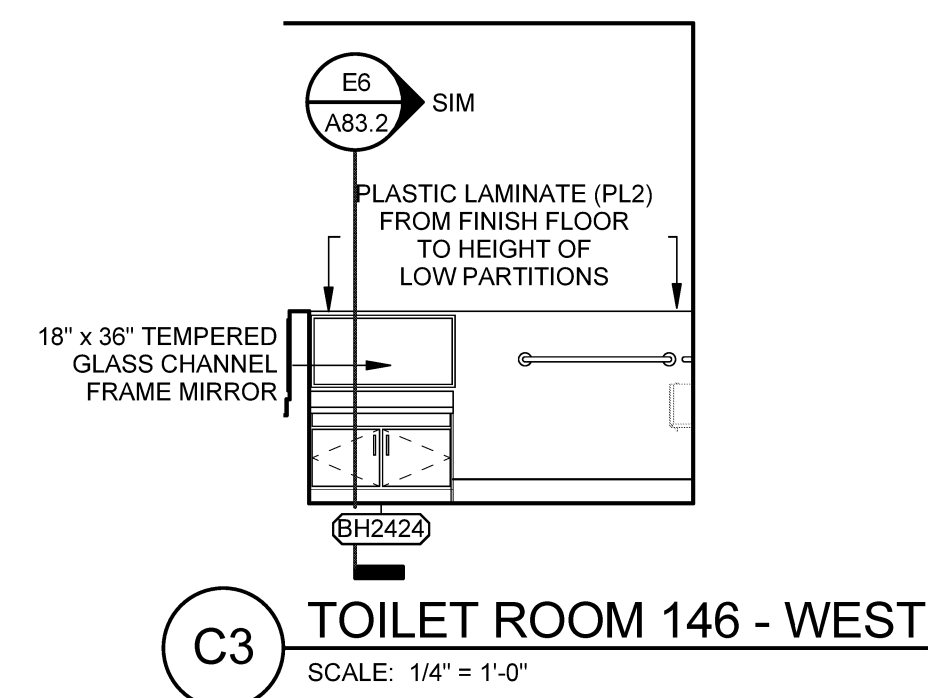
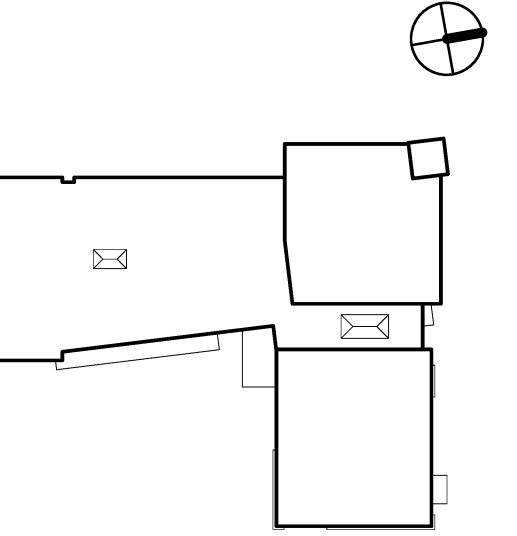
AUBURN PORTLAND MANCHESTER

JEWISH COMMUNITY ALLIANCE OF SOUTHERN MAINE

PORTLAND, ME

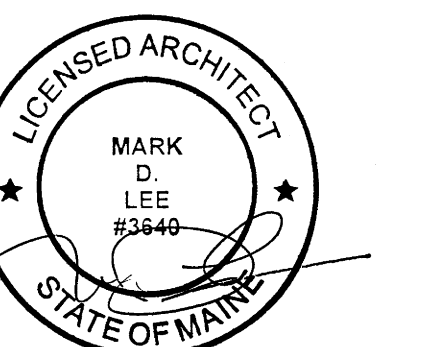
Harriman Project No. 15309

Key Plan Proj North



Issues and Revisions

Mark	Date	Description
-	03-25-16	CONSTRUCTION DOCUMENTS



Drawing Scales 1/4" = 1'-0"

PA/PE: MDL © 2016 Harriman Associates
Drawn By: JAE

INTERIOR ELEVATIONS

A81.5