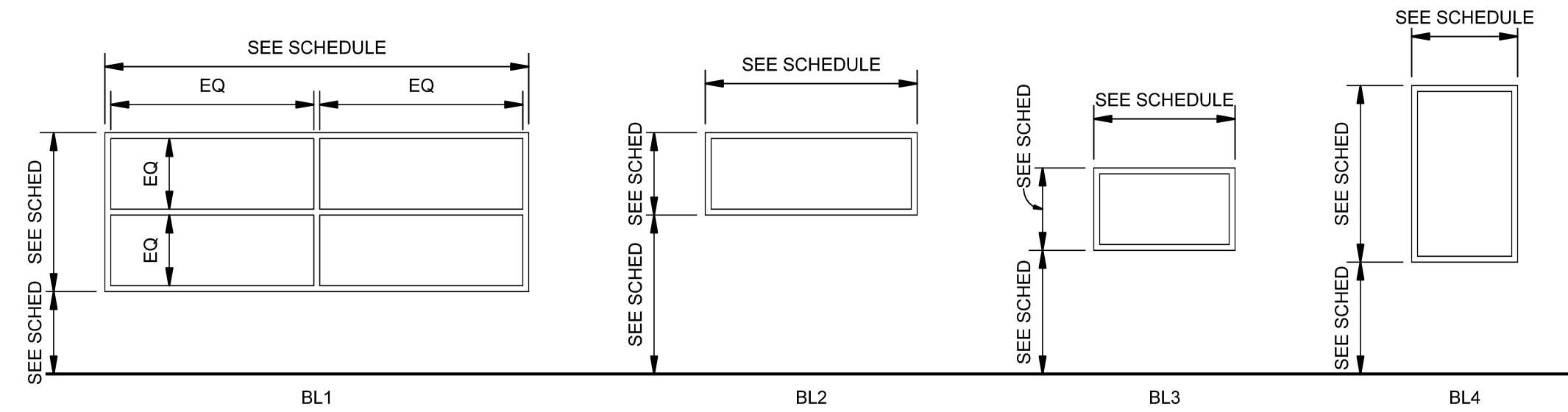
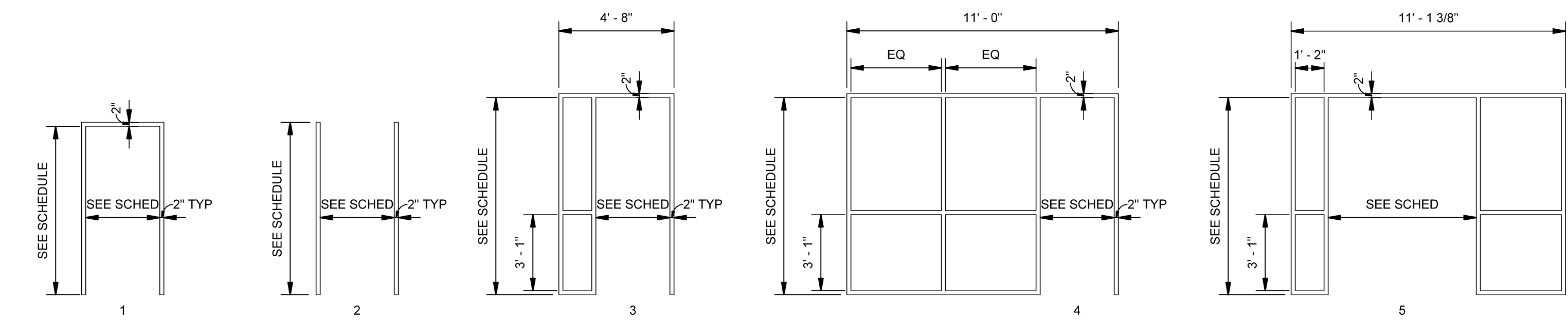


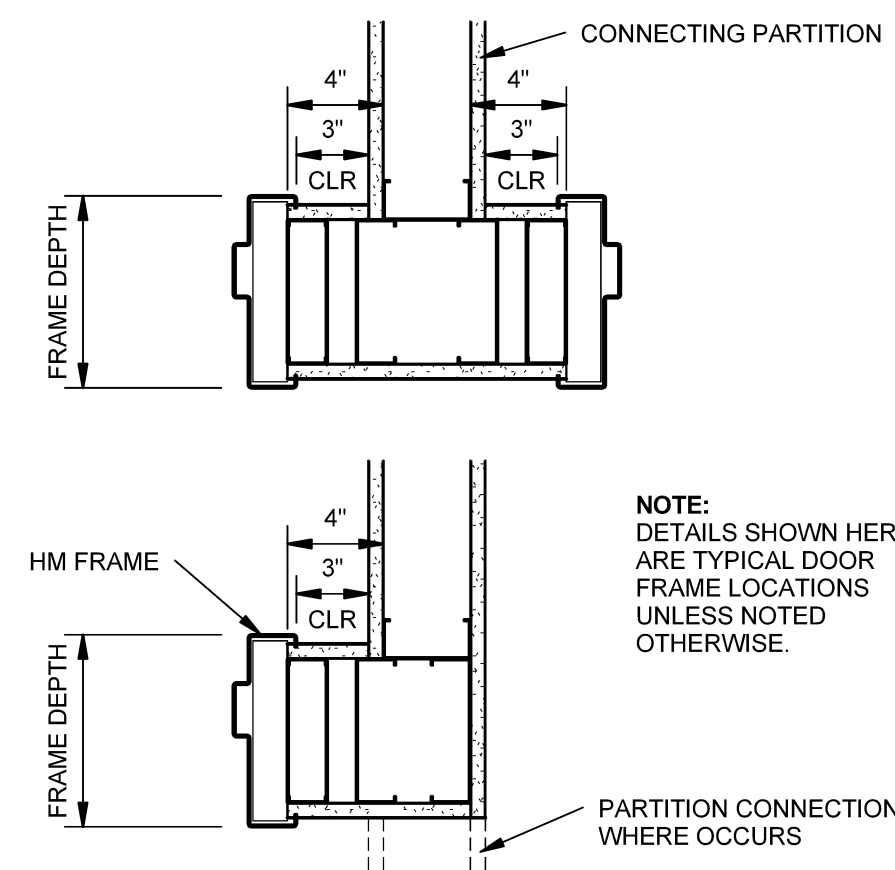
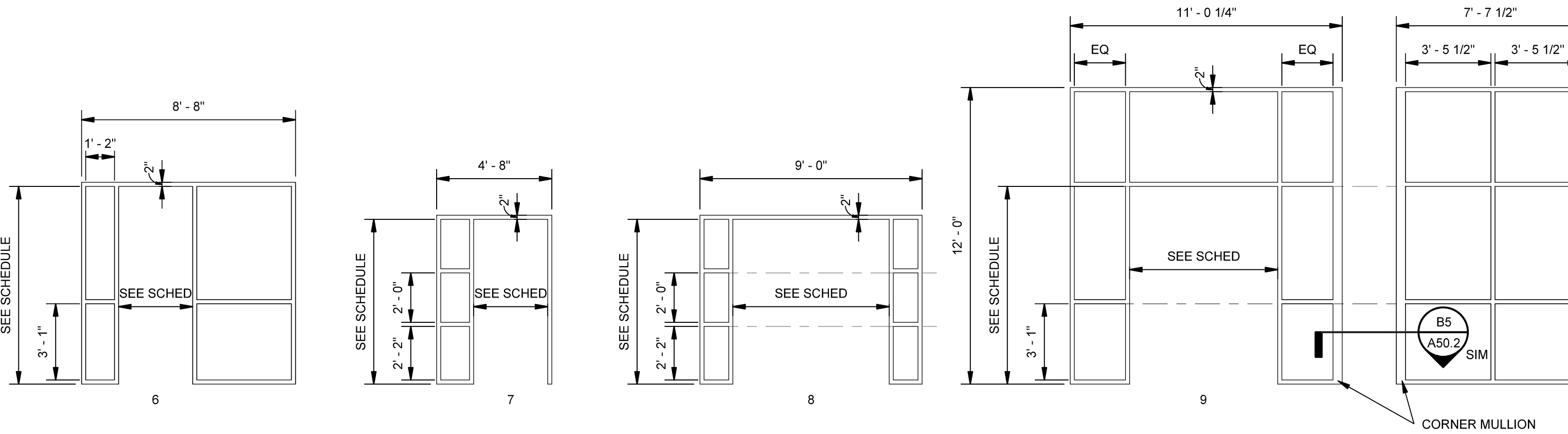
BORROWED LITE SCHEDULE										
FRAME NUMBER	SIZE			GLASS	MATERIAL	TYPE	DETAILS			REMARKS
	WIDTH	HEIGHT	SILL HEIGHT				HEAD	JAMB	SILL	
BLA108	3'-0"	5'-0"	3'-2"	SECURITY	HM - 14 GA	BL4	C3	B3	B3 SIM	
BLA132	12'-0"	4'-6"	2'-4"	TEMPERED	HM	BL1	C3	B3	B3 SIM	
BLA133	6'-0"	2'-4"	4'-6"	TEMPERED	HM	BL2	C3	B3	B3 SIM	
BLA134	6'-0"	2'-4"	4'-6"	ONE-WAY	HM	BL2	C3	B3	B3 SIM	
BLA140	6'-0"	2'-4"	4'-6"	ONE-WAY	HM	BL2	C3	B3	B3 SIM	
BLA141	6'-0"	2'-4"	4'-6"	TEMPERED	HM	BL2	C3	B3	B3 SIM	
BLA142	4'-0"	2'-4"	3'-6"	TEMPERED	HM	BL3	C3	B3	B3 SIM	
BLA143	6'-0"	2'-4"	4'-6"	TEMPERED	HM	BL2	C3	B3	B3 SIM	
BLA144	4'-0"	2'-4"	3'-6"	TEMPERED	HM	BL3	C3	B3	B3 SIM	
BLA145	6'-0"	2'-4"	4'-6"	TEMPERED	HM	BL2	C3	B3	B3 SIM	
BLA147	6'-0"	2'-4"	4'-6"	TEMPERED	HM	BL2	C3	B3	B3 SIM	



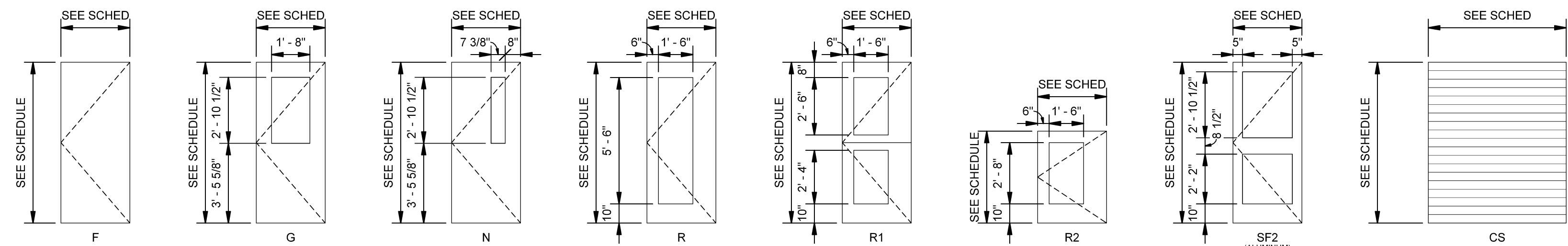
D1 BORROWED LITE FRAME TYPES
SCALE: 1/4" = 1'-0"



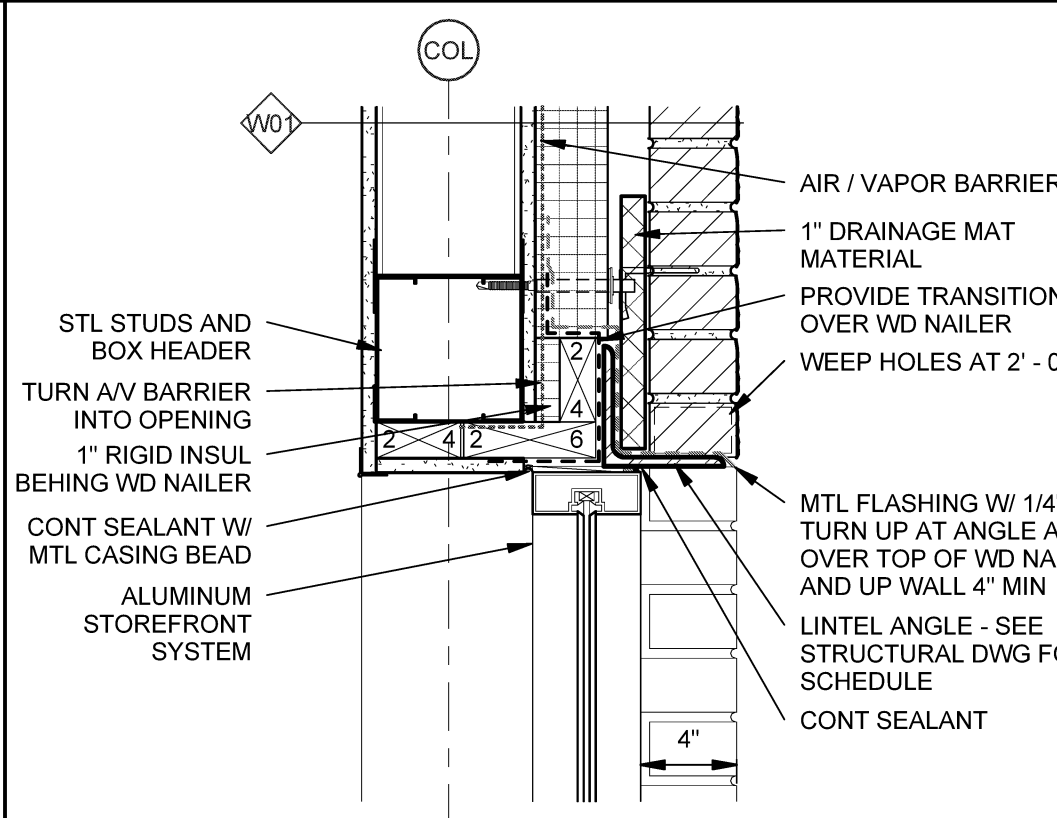
D4 DOOR FRAME TYPES
SCALE: 1/4" = 1'-0"



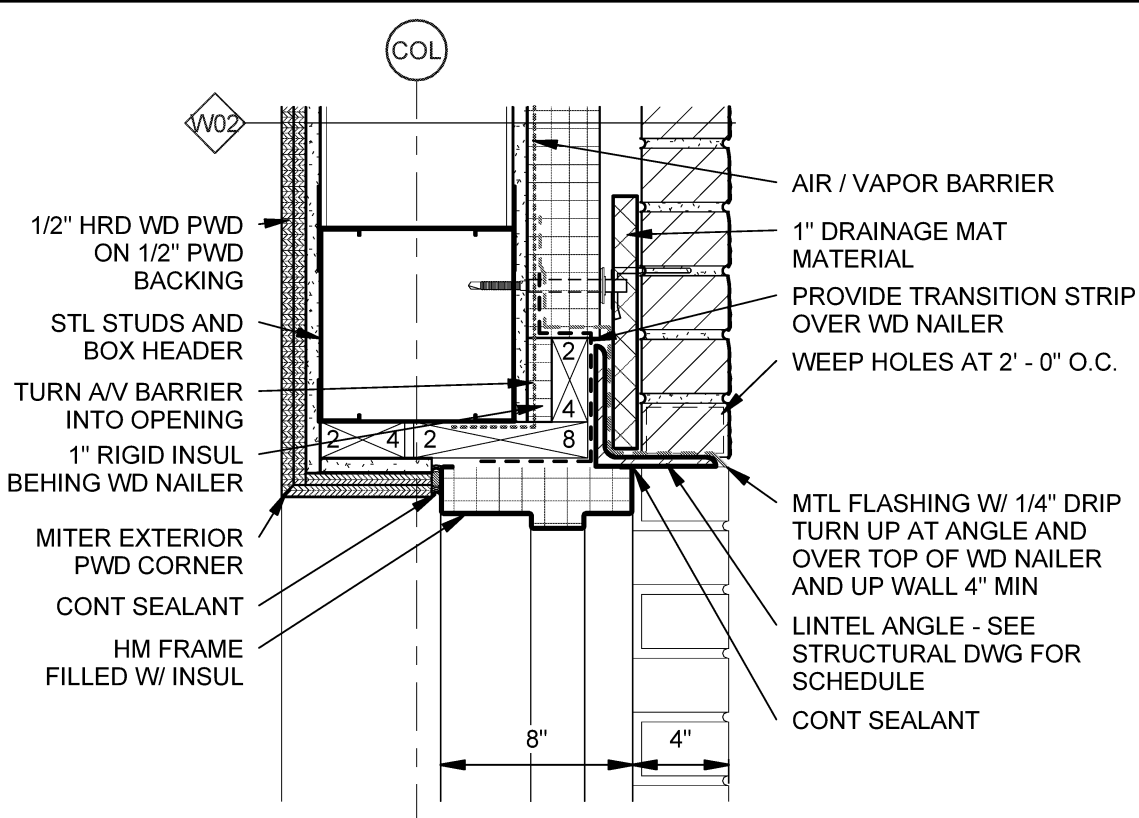
C3 DOOR FRAME INSTALLATION DETAIL
SCALE: 1 1/2" = 1'-0"



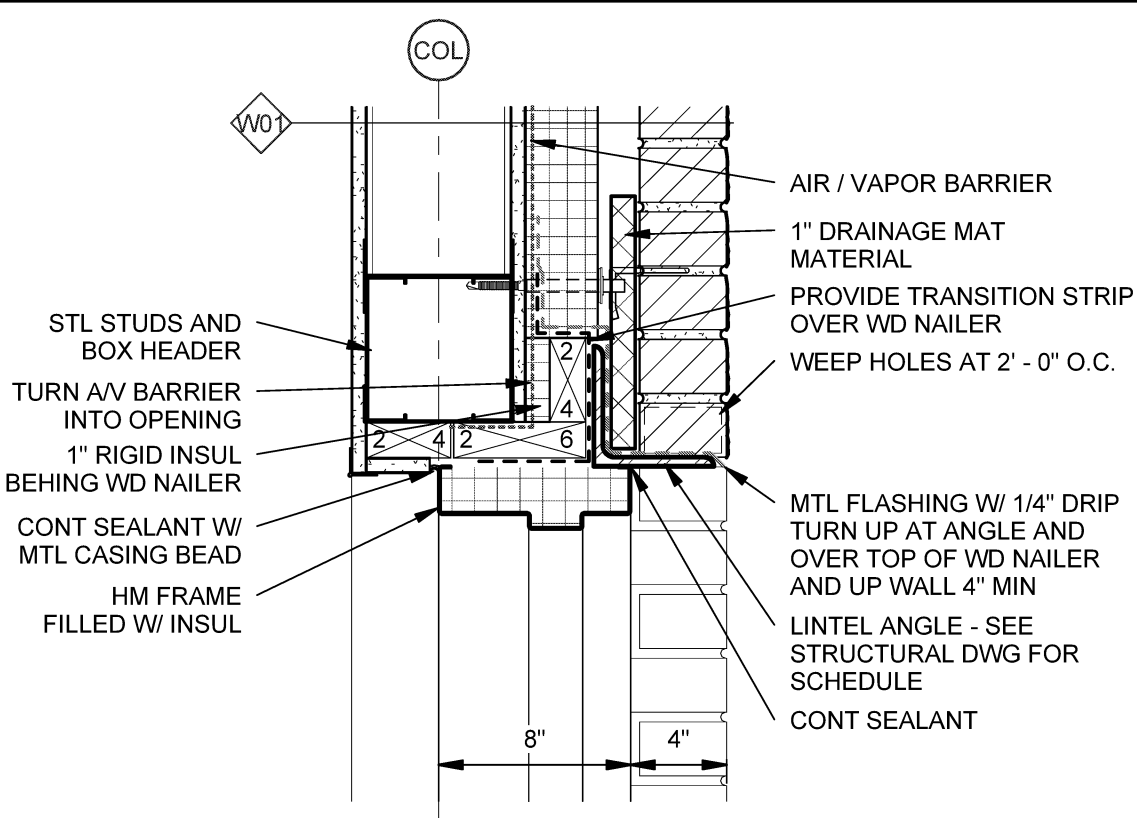
C4 DOOR TYPES
SCALE: 1/4" = 1'-0"



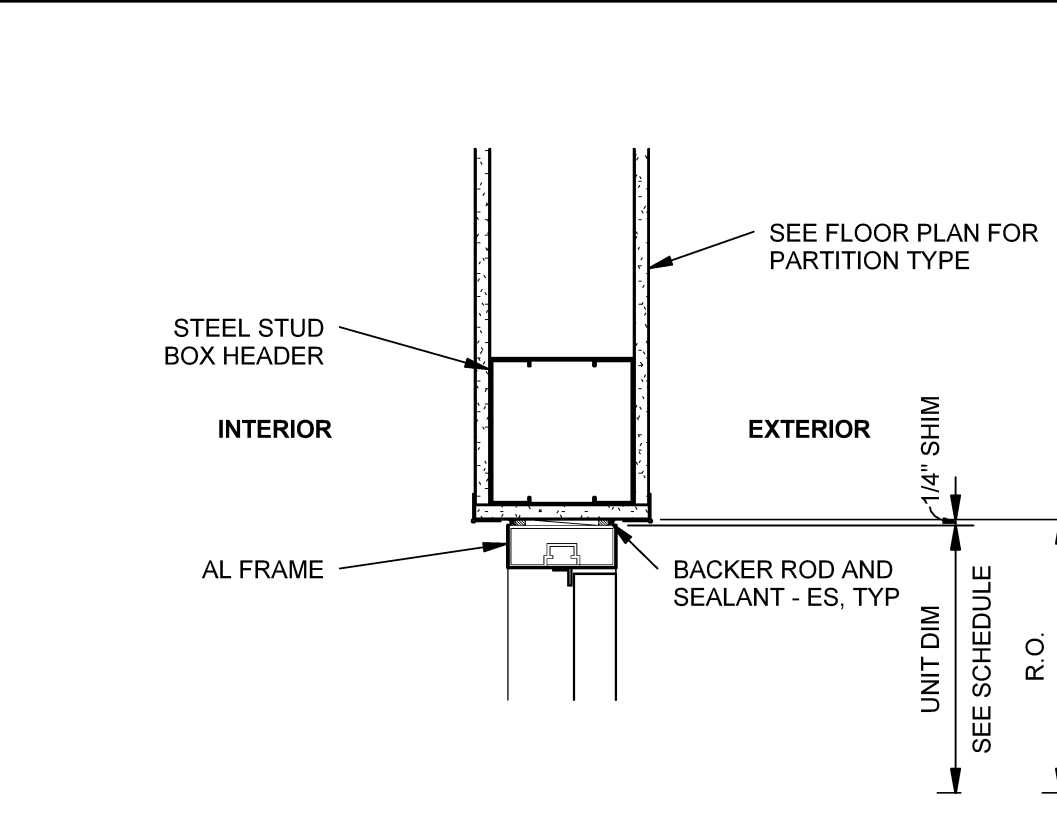
B2 HEAD DETAIL
SCALE: 1 1/2" = 1'-0"



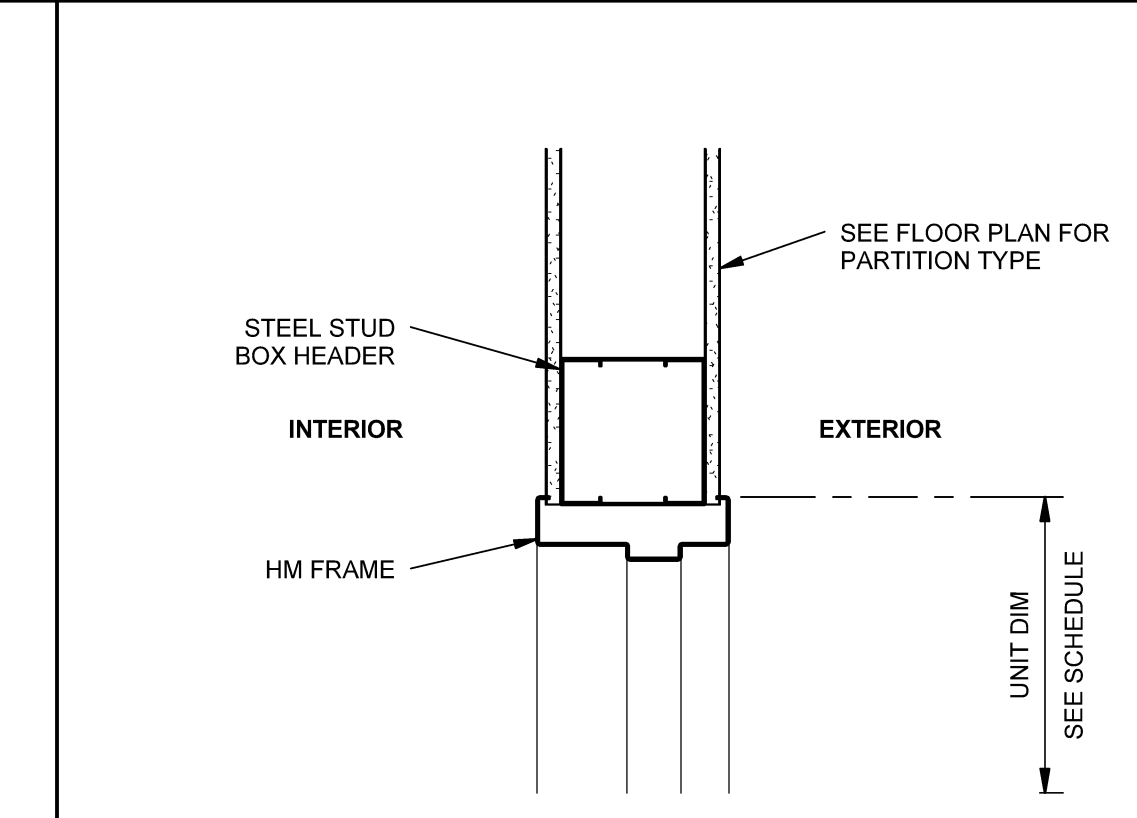
B3 HEAD DETAIL
SCALE: 1 1/2" = 1'-0"



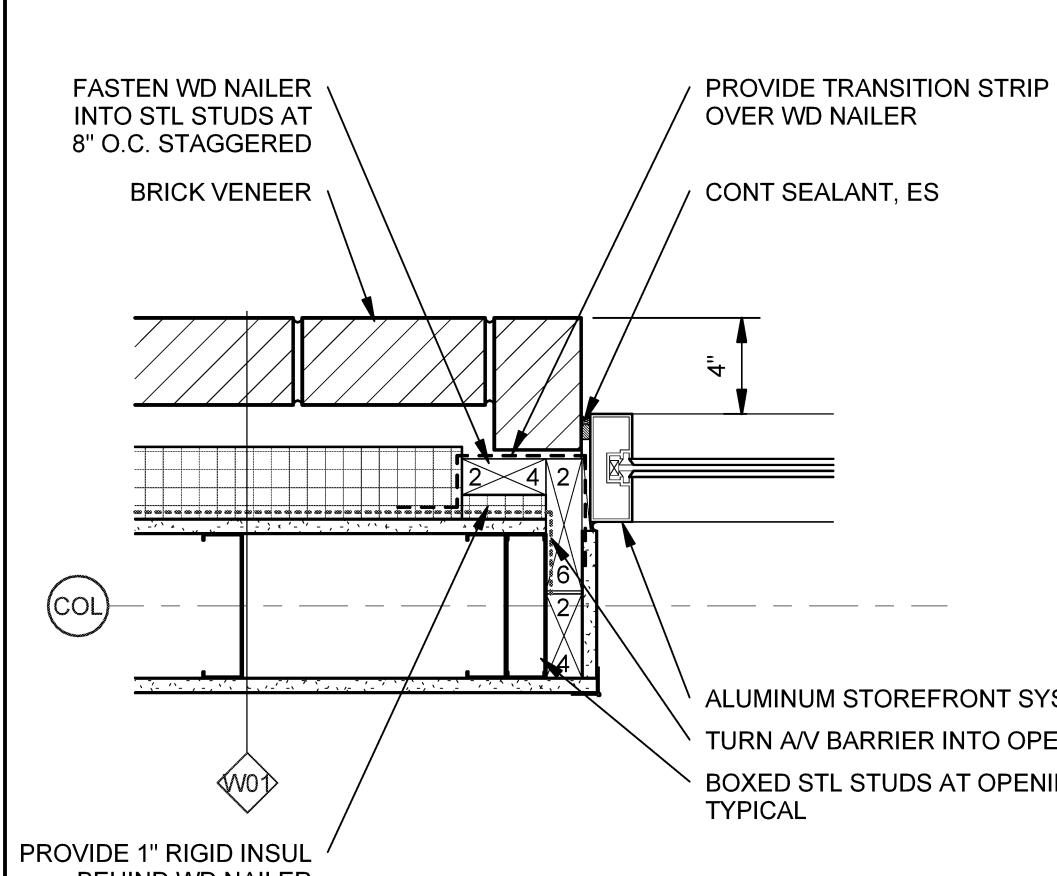
B4 HEAD DETAIL
SCALE: 1 1/2" = 1'-0"



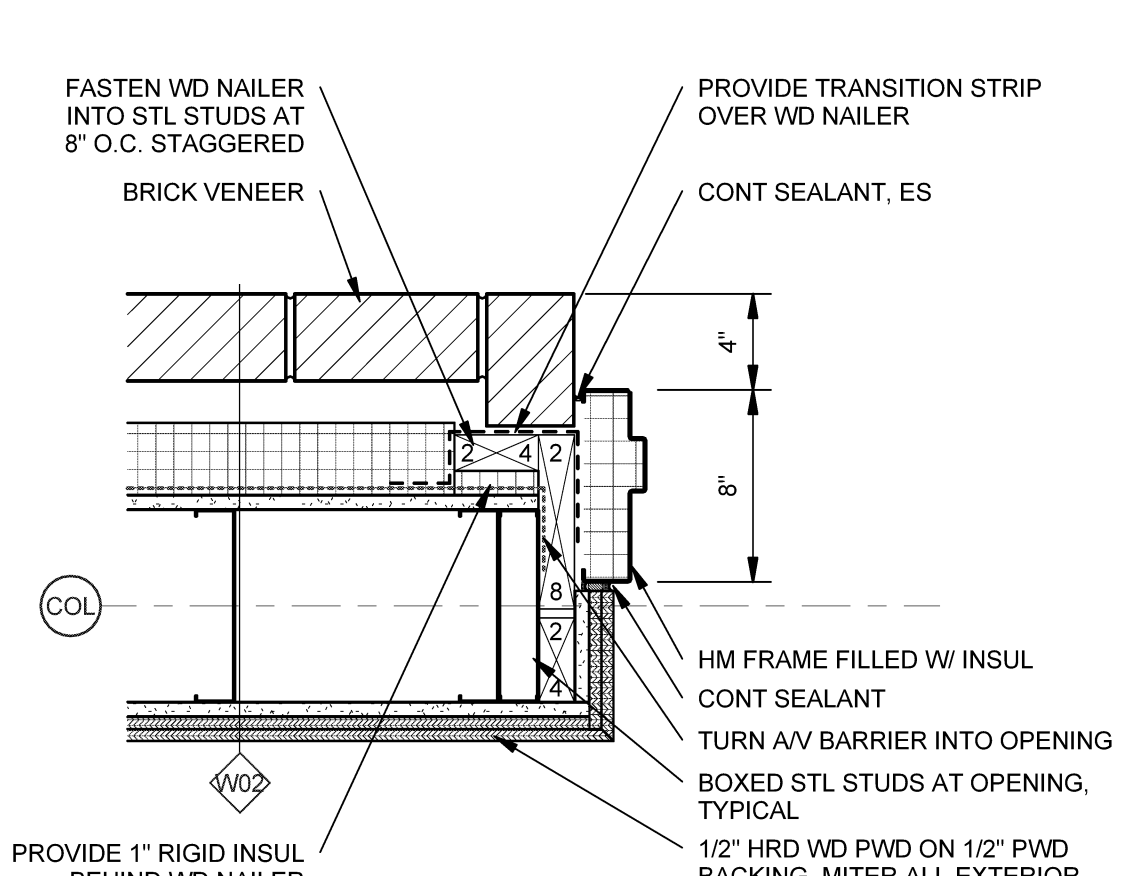
B5 ALUM FRAME HEAD DETAIL, TYP
SCALE: 1 1/2" = 1'-0"



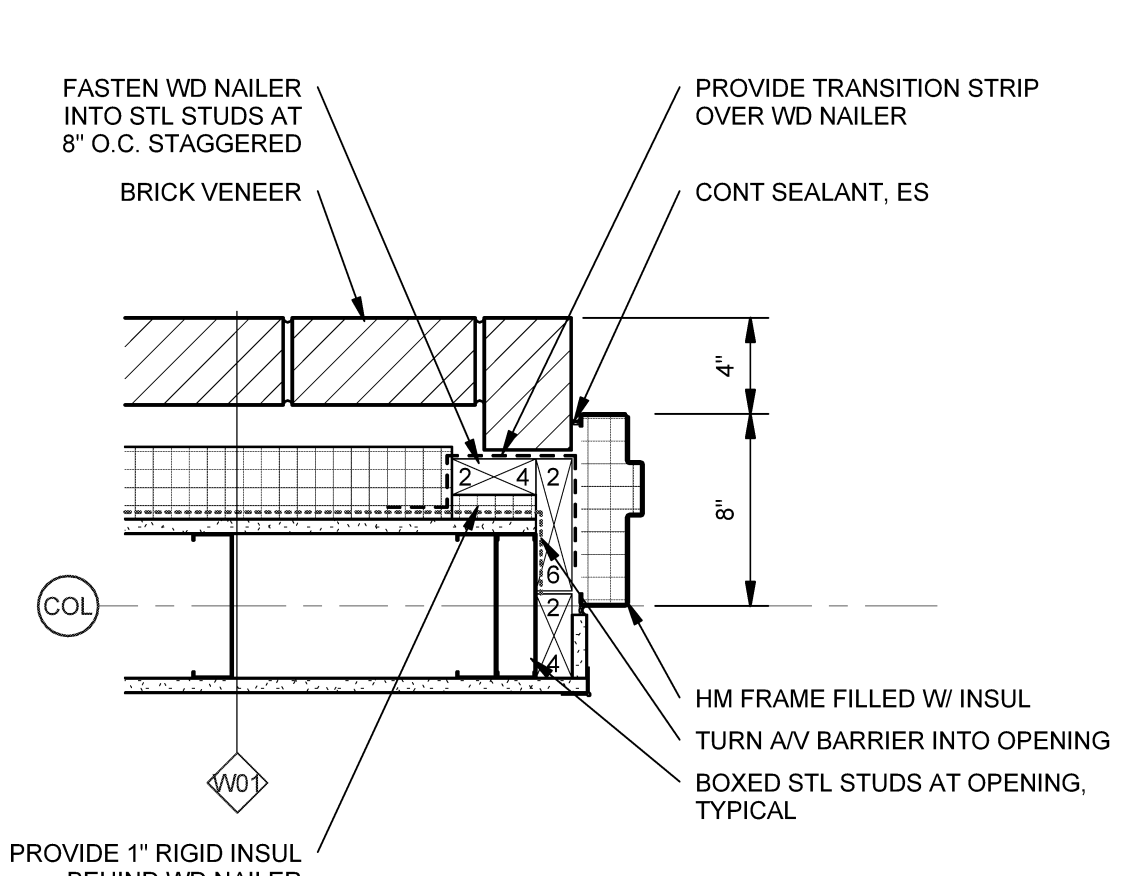
B6 HEAD DETAIL, TYP
SCALE: 1 1/2" = 1'-0"



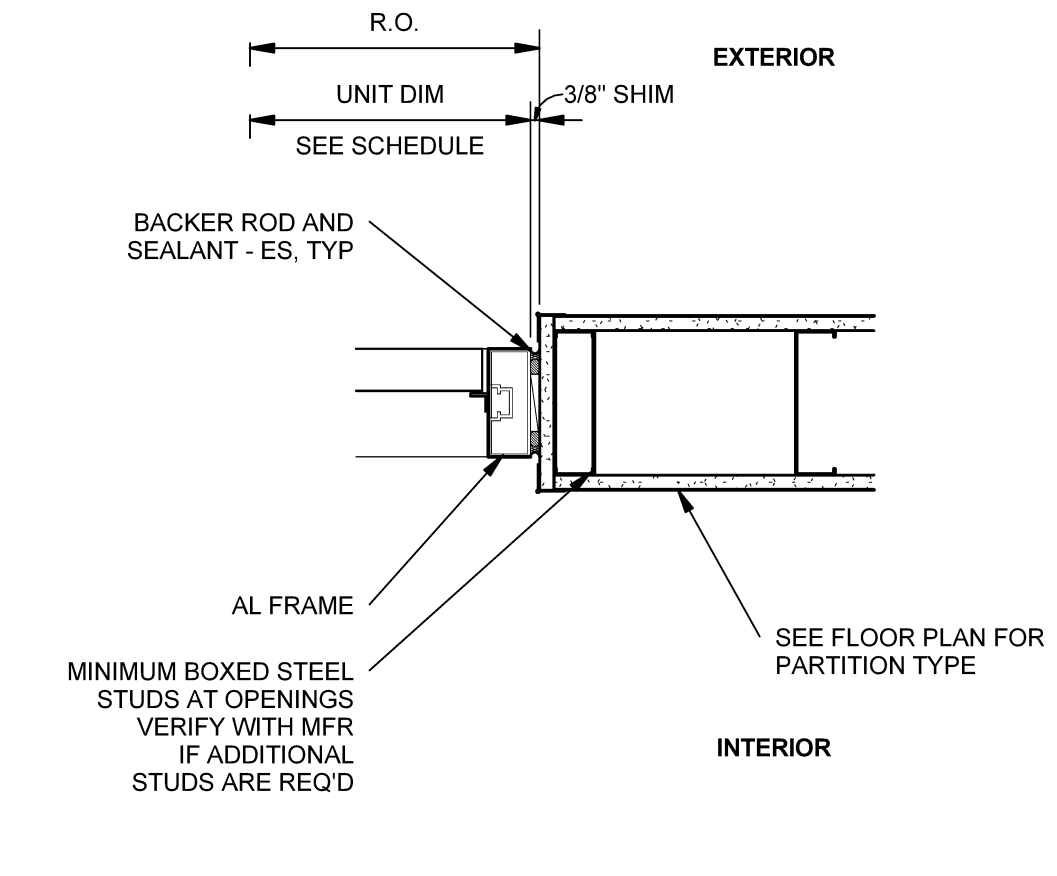
A2 JAMB DETAIL
SCALE: 1 1/2" = 1'-0"



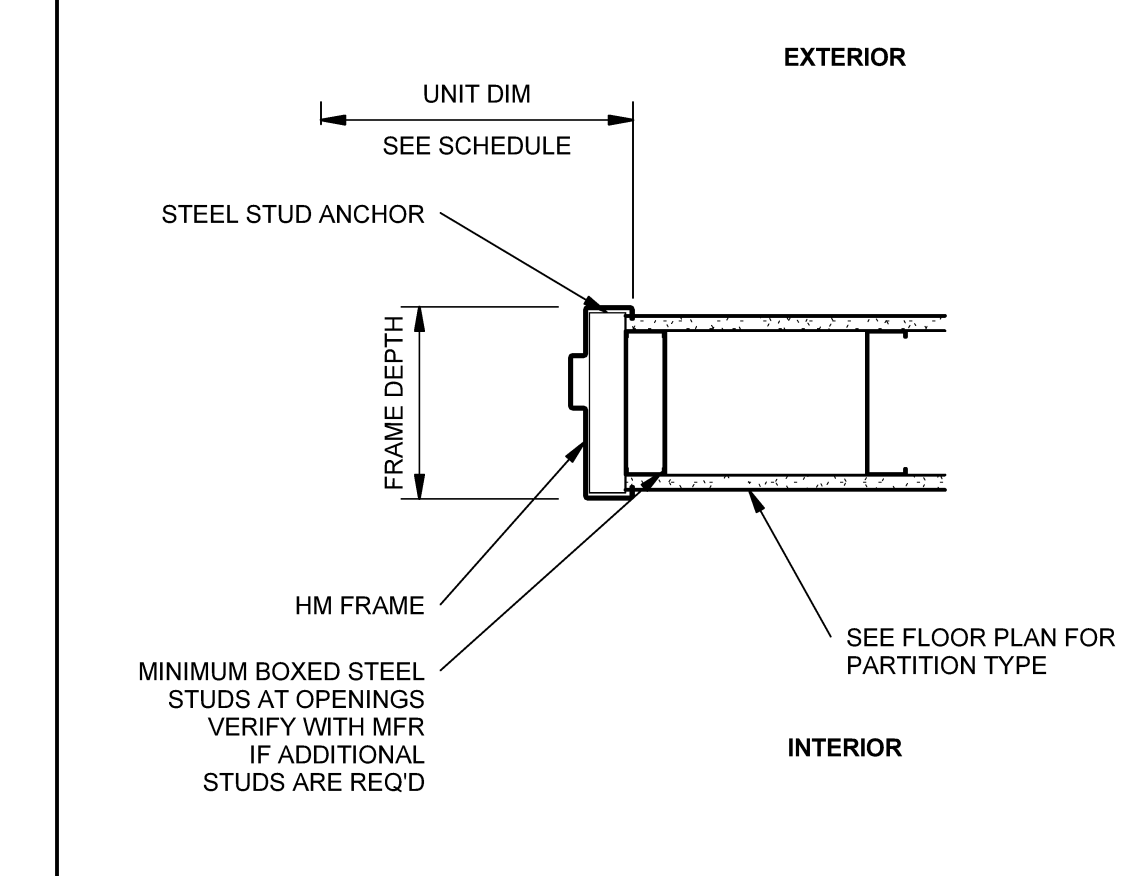
A3 JAMB DETAIL
SCALE: 1 1/2" = 1'-0"



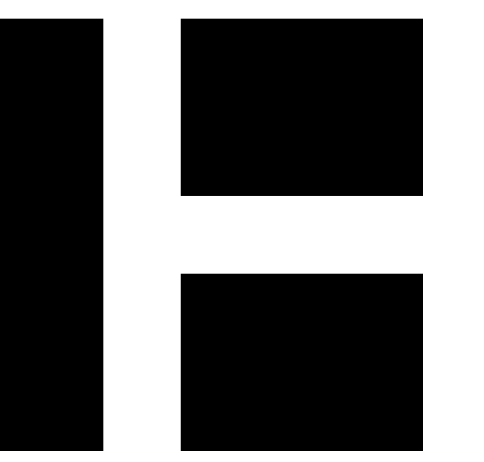
A4 JAMB DETAIL
SCALE: 1 1/2" = 1'-0"



A5 ALUM FRAME JAMB DETAIL, TYP
SCALE: 1 1/2" = 1'-0"



A6 JAMB DETAIL, TYP
SCALE: 1 1/2" = 1'-0"



HARRIMAN

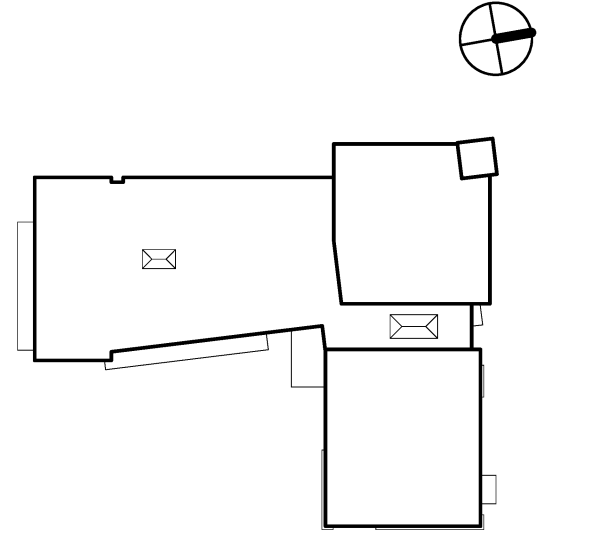
AUBURN PORTLAND MANCHESTER

JEWISH COMMUNITY ALLIANCE OF SOUTHERN MAINE

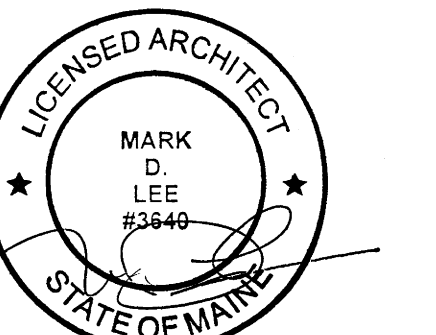
PORTLAND, ME

Harriman Project No. 15309

Key Plan



Issues and Revisions	
Mark	Date Description
-	03-25-16 CONSTRUCTION DOCUMENTS



Drawing Scales
As indicated

PA/PE: MDL © 2016 Harriman Associates
Drawn By: JAE

BORROWED LITE SCHEDULE AND DETAILS

A60.2