



HARRIMAN

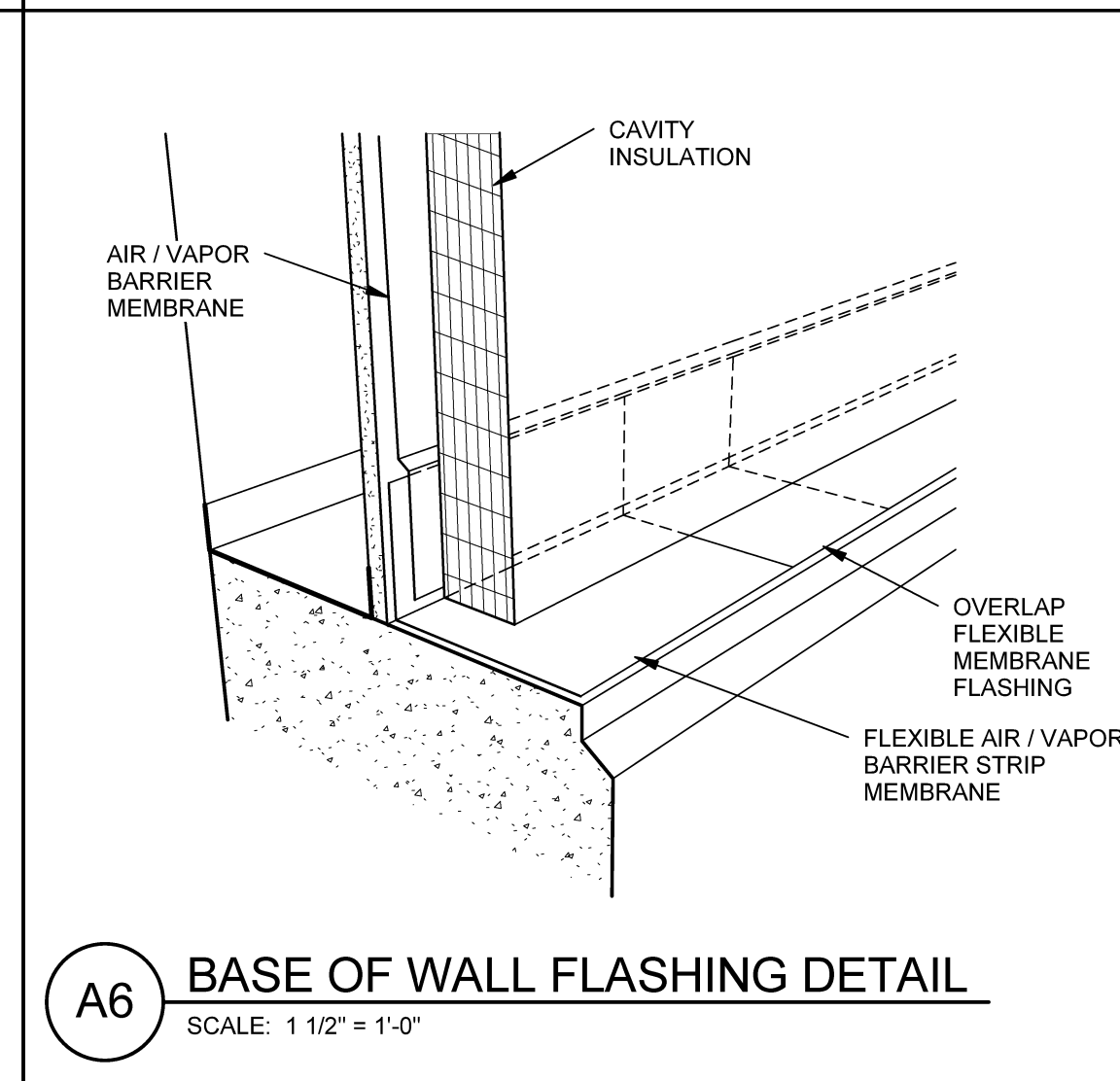
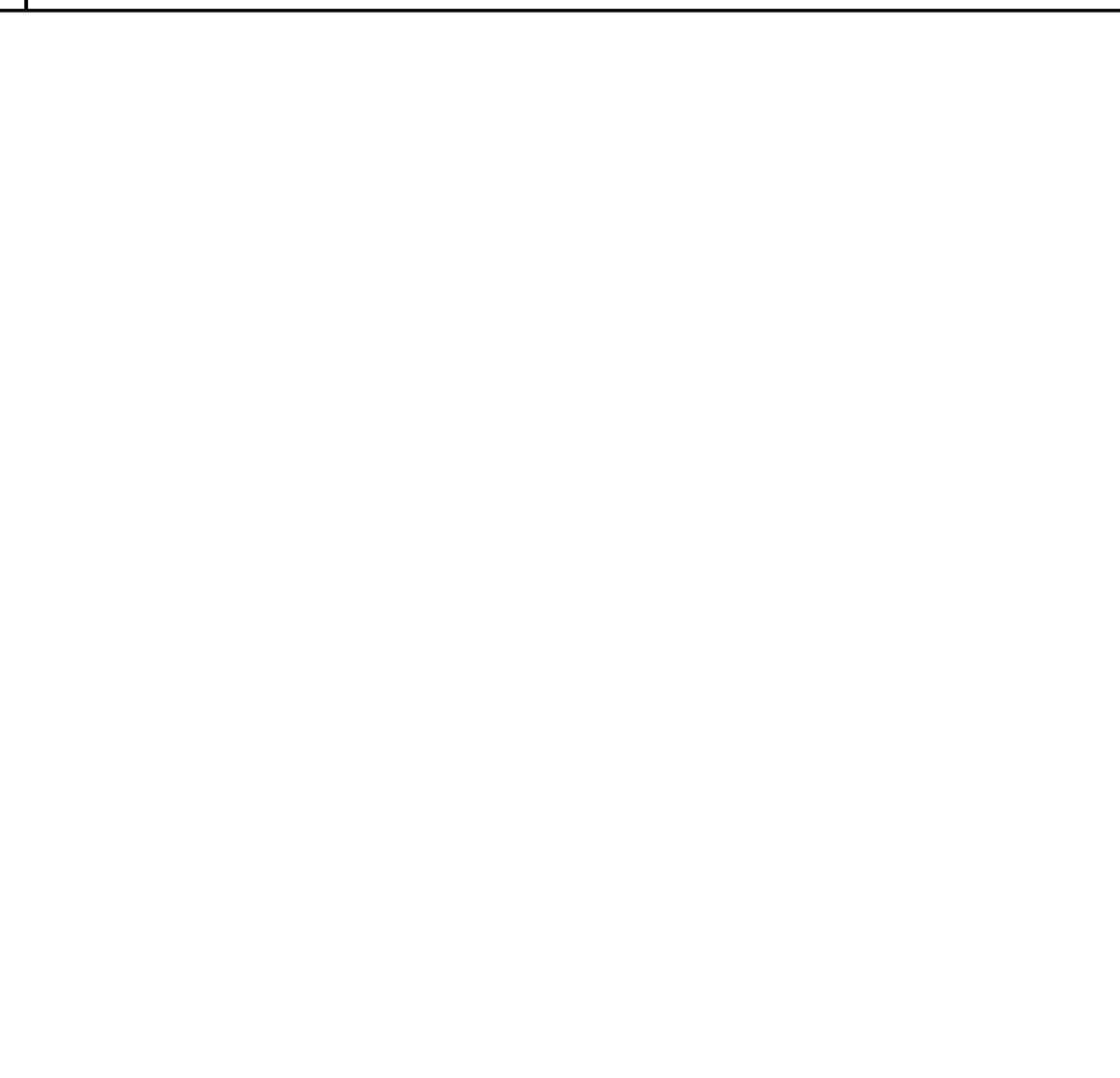
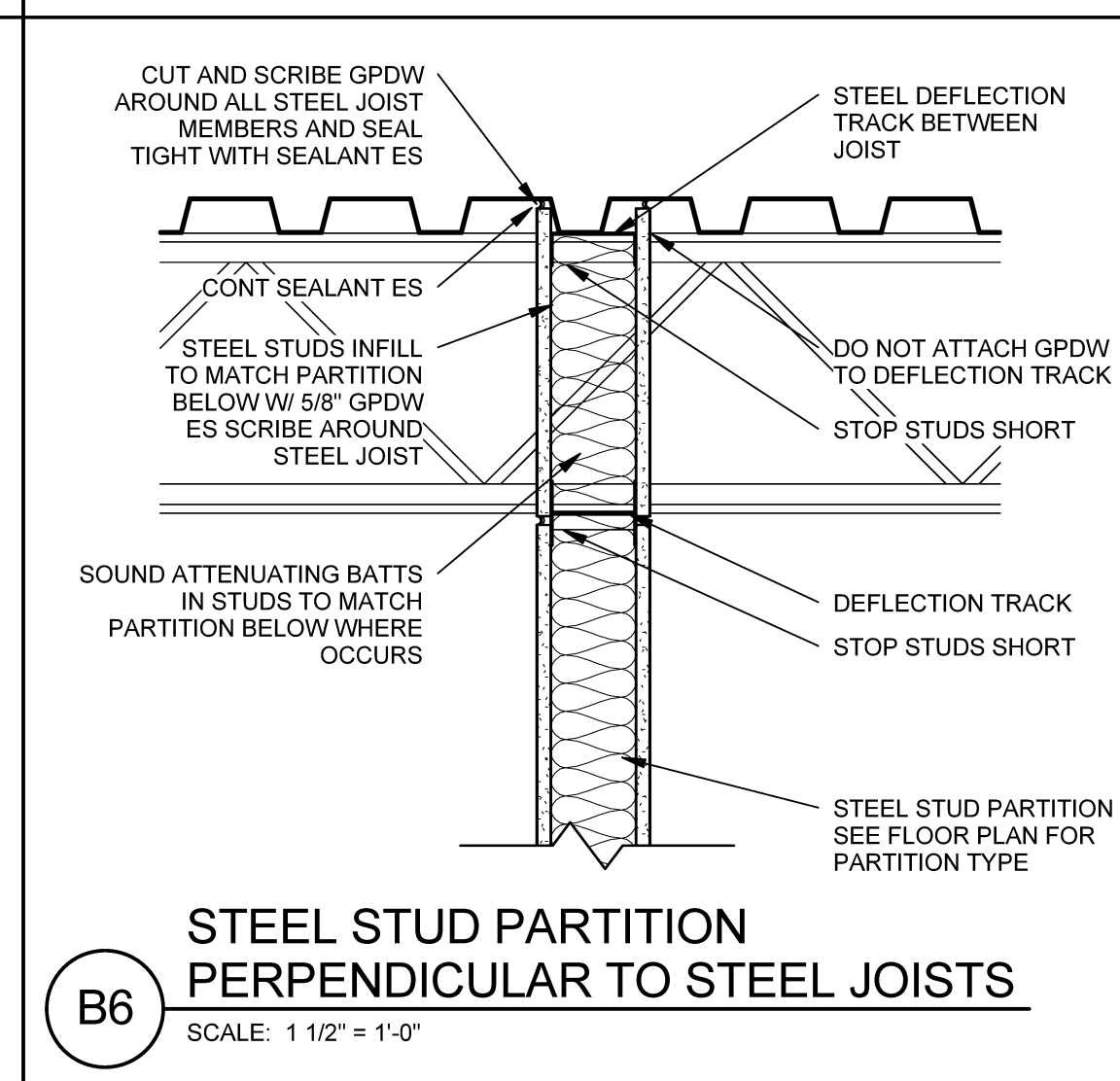
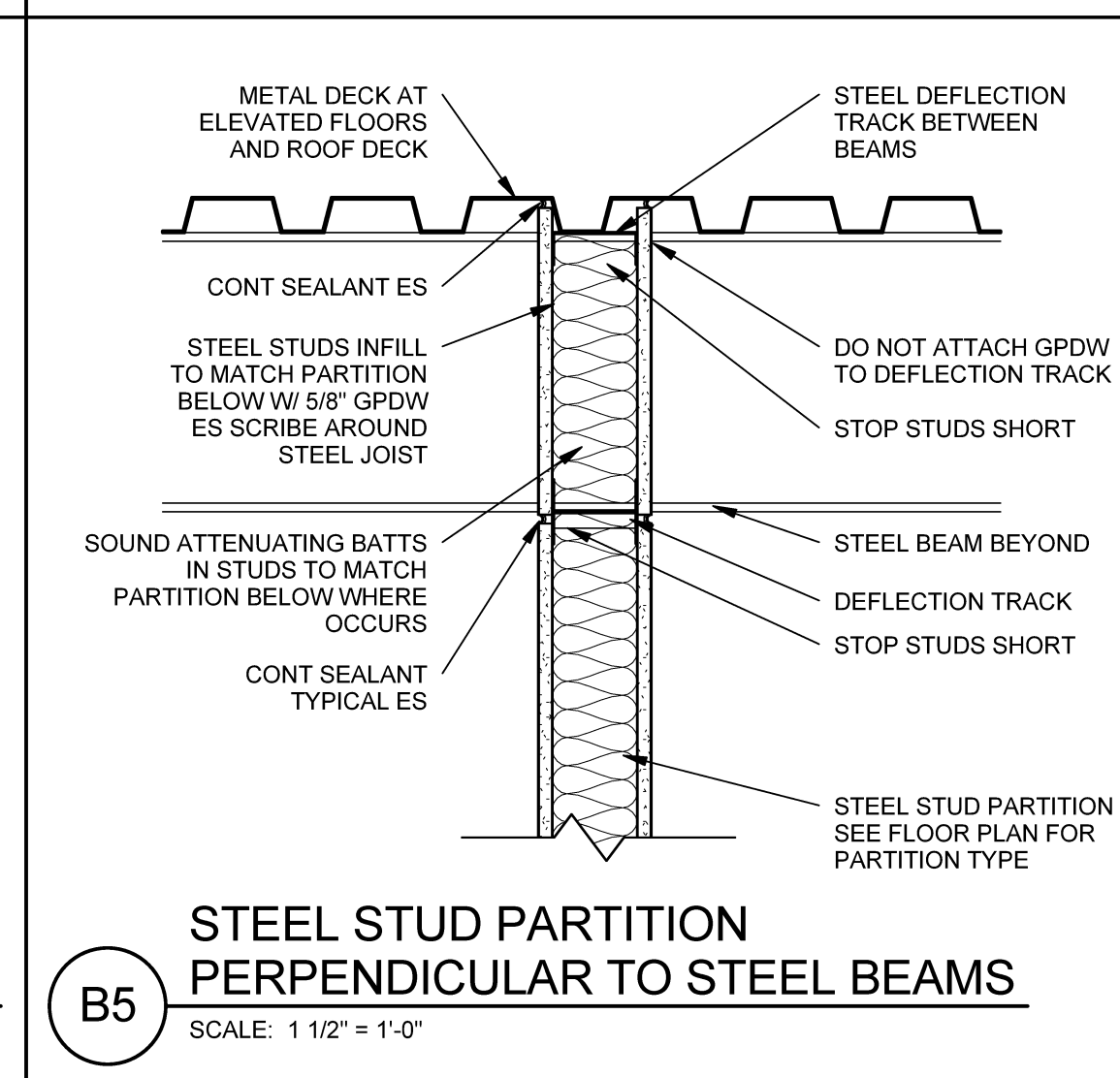
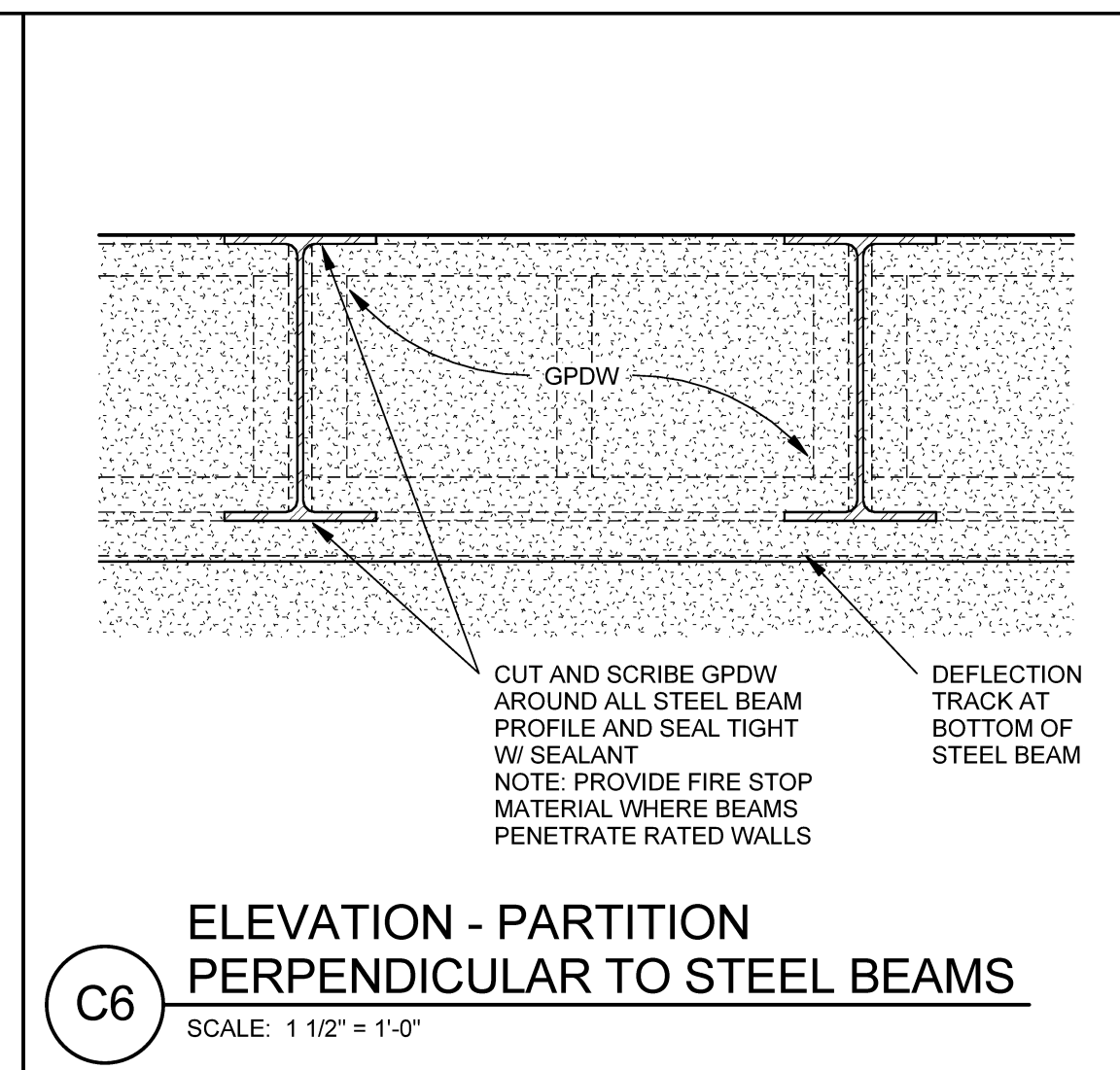
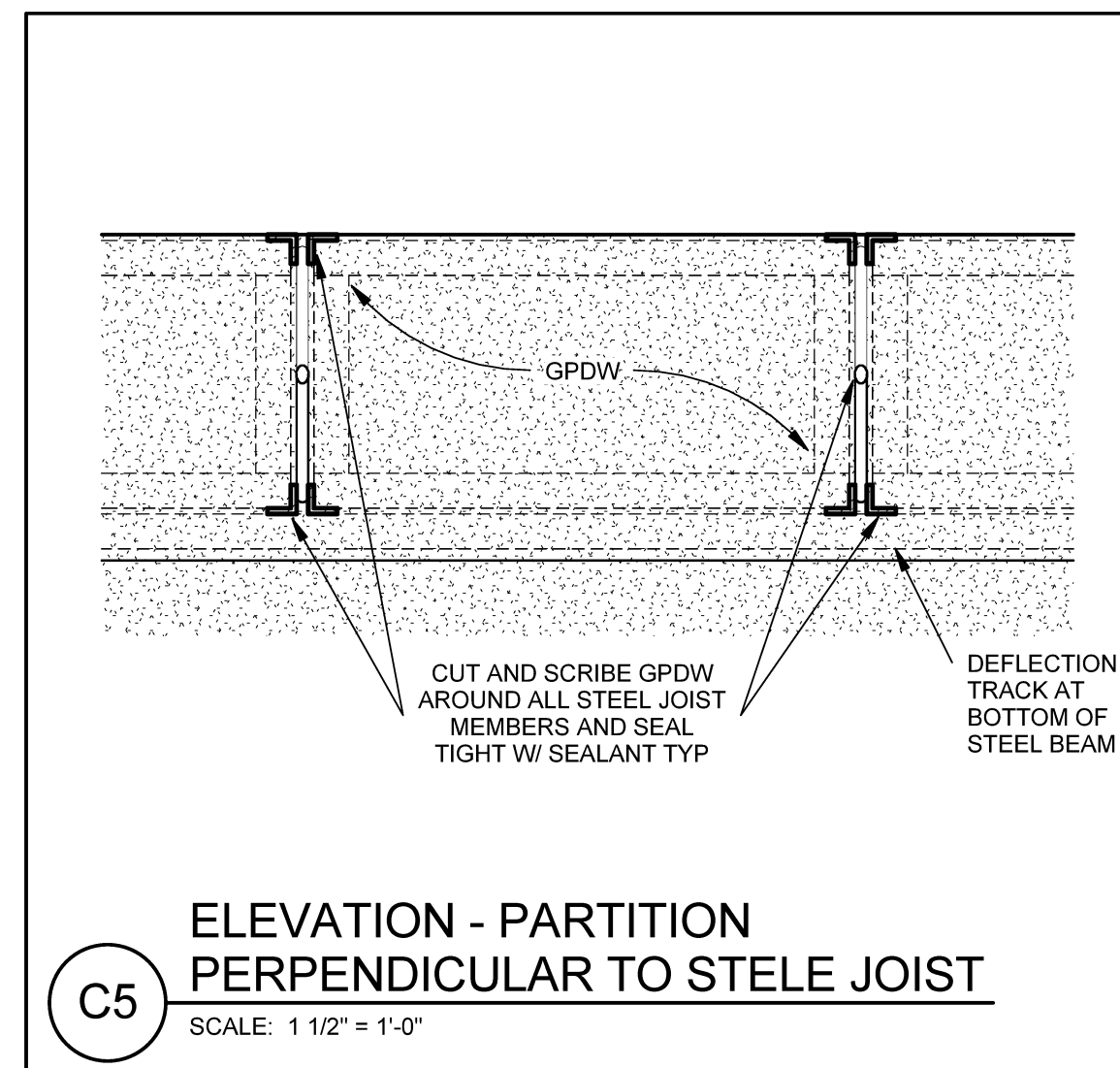
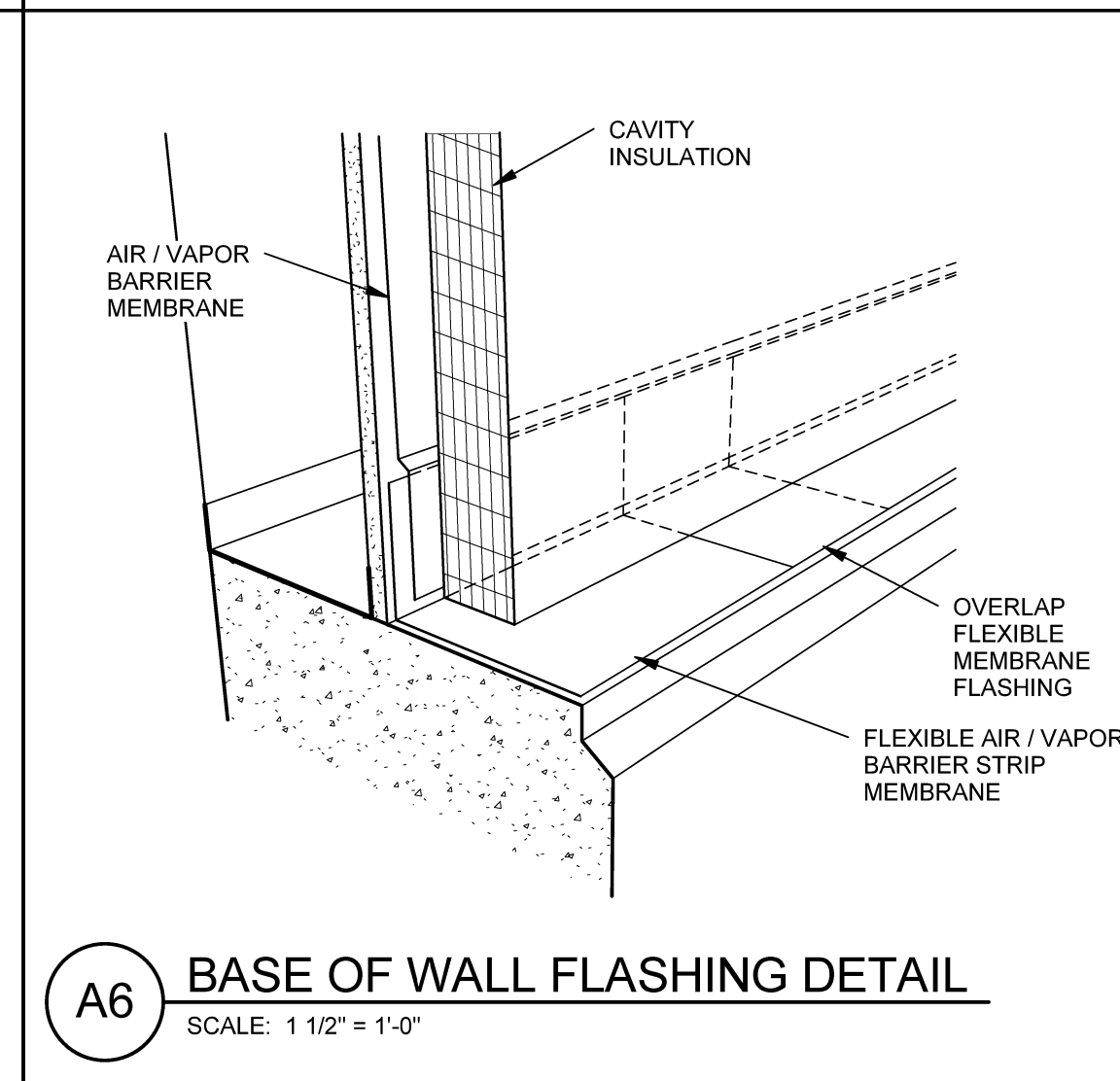
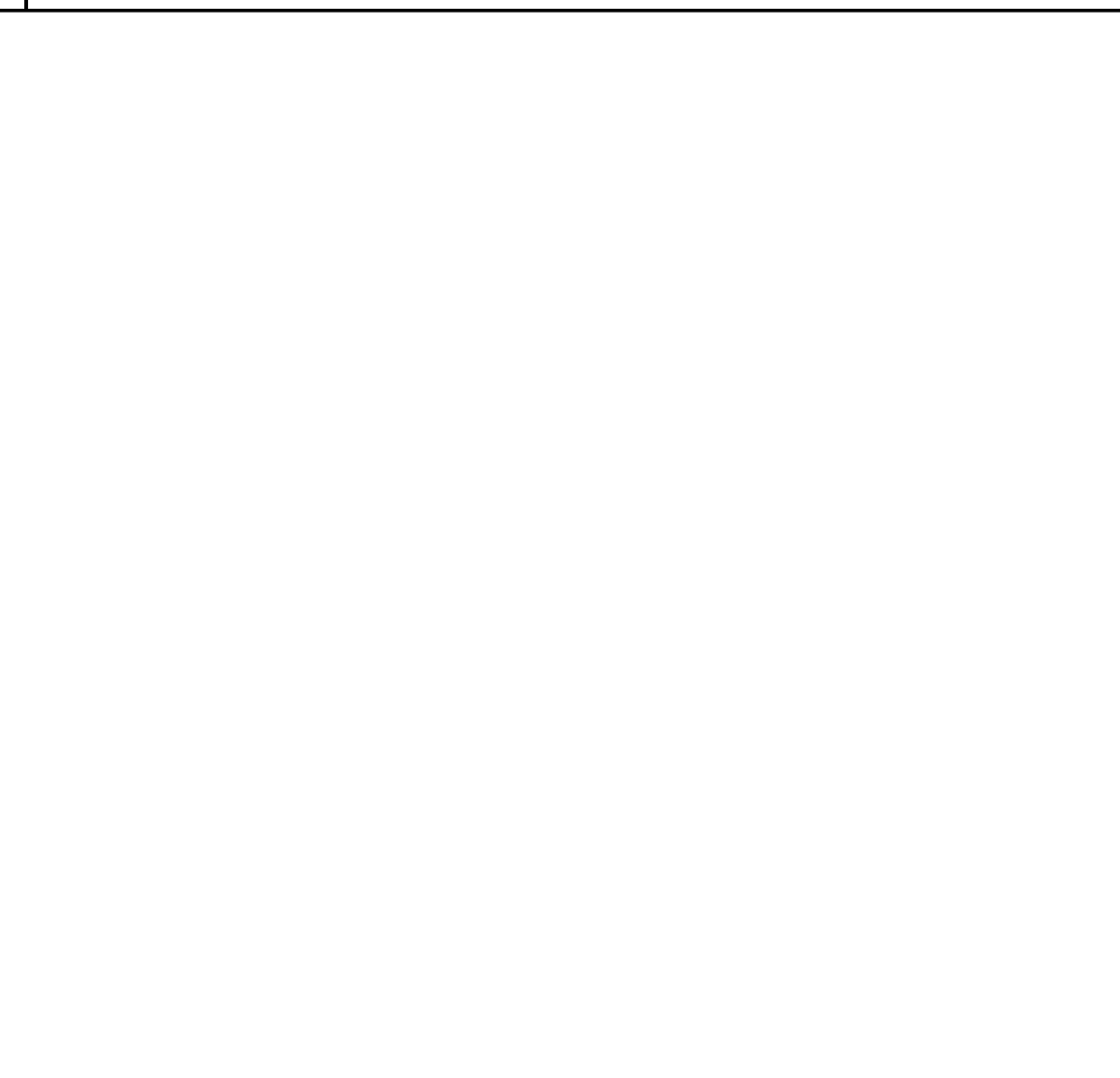
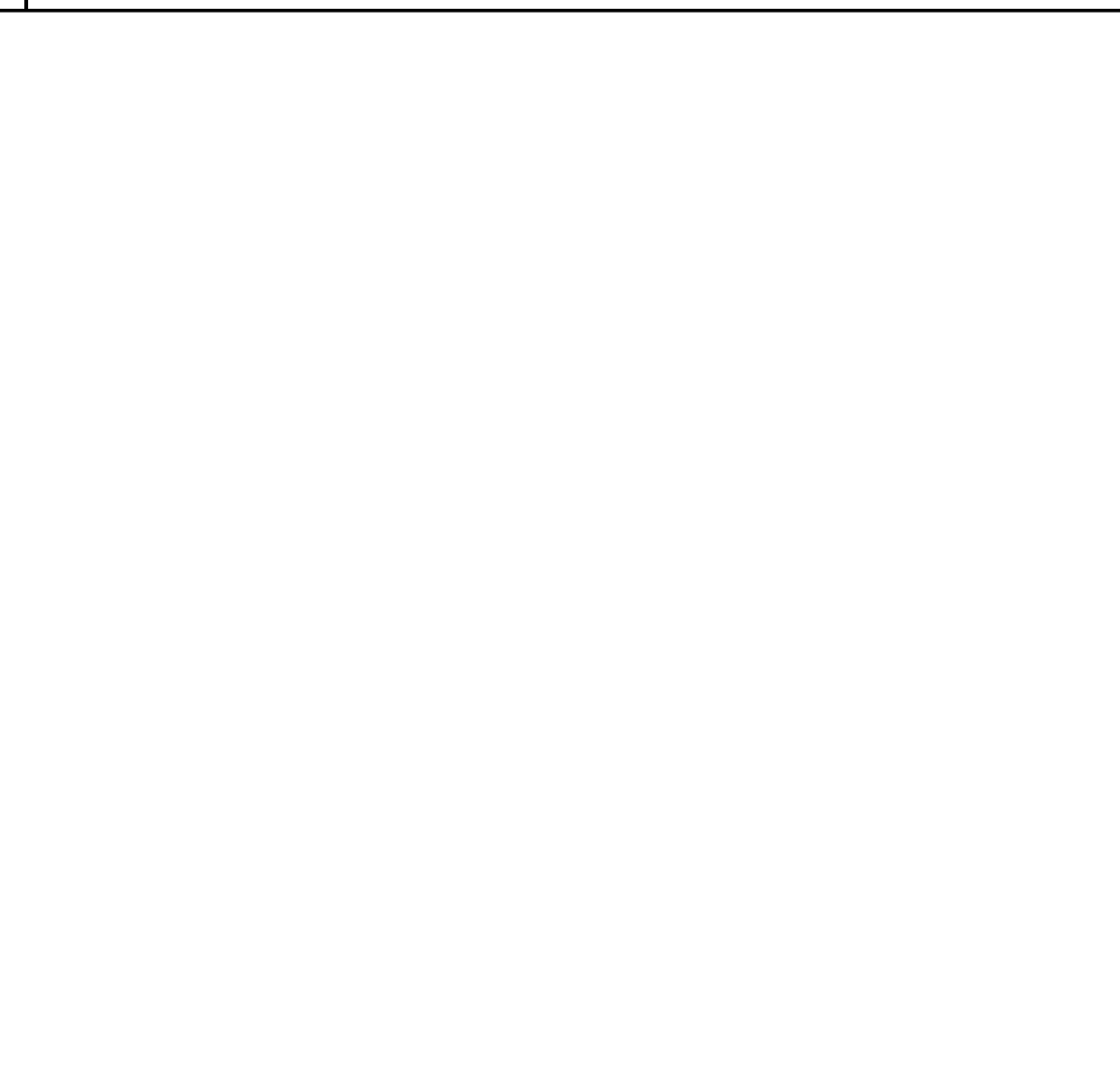
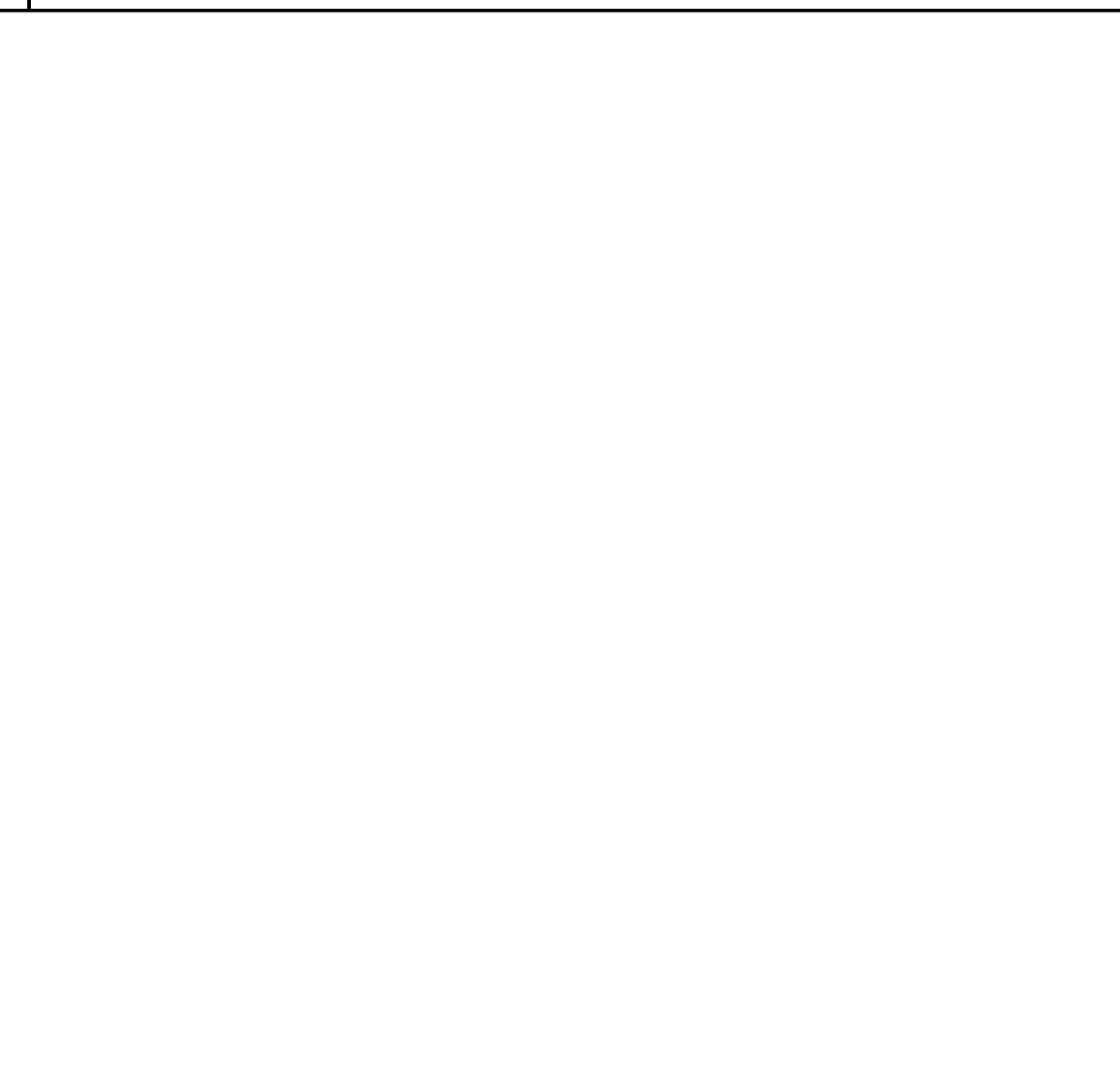
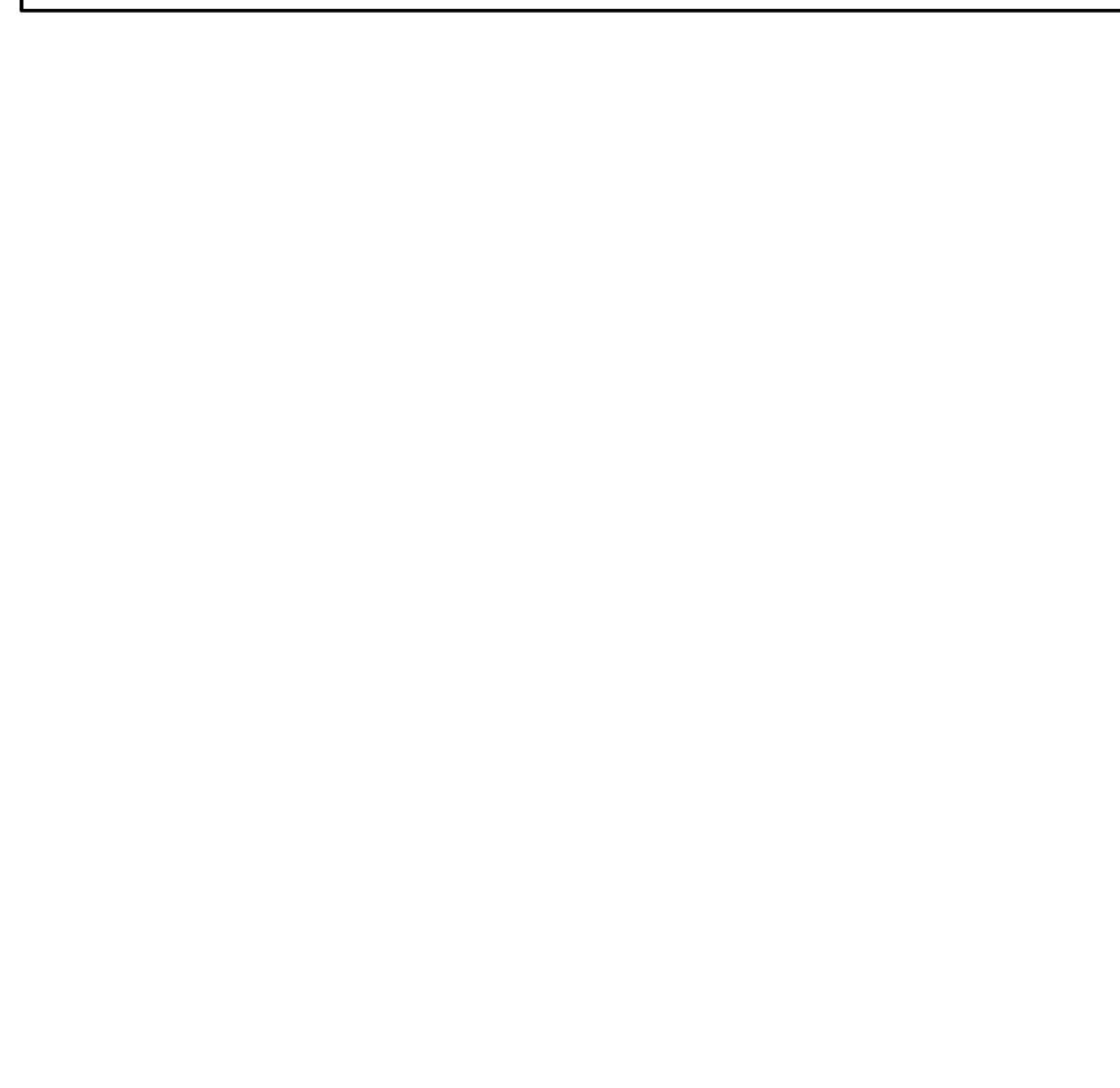
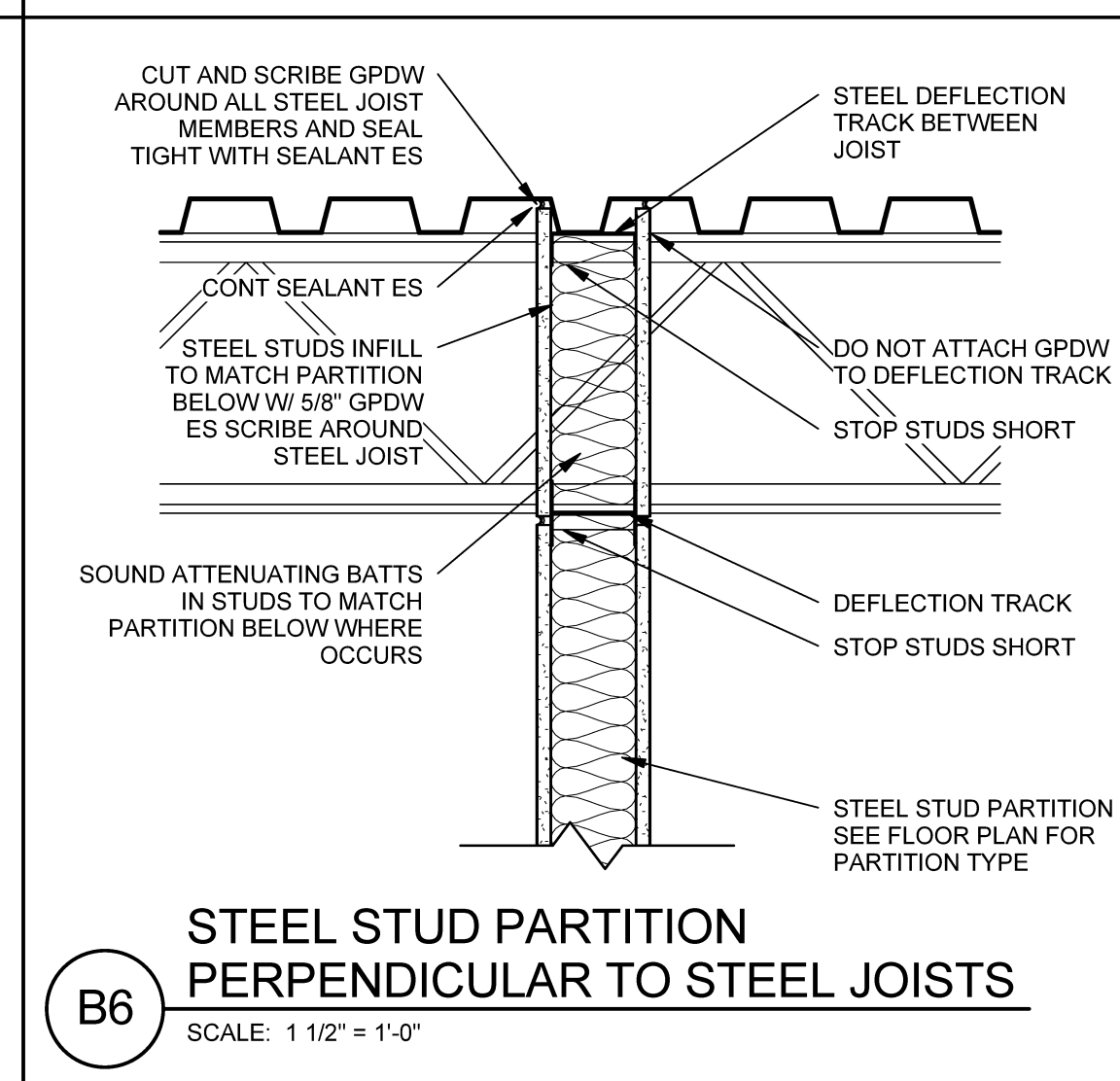
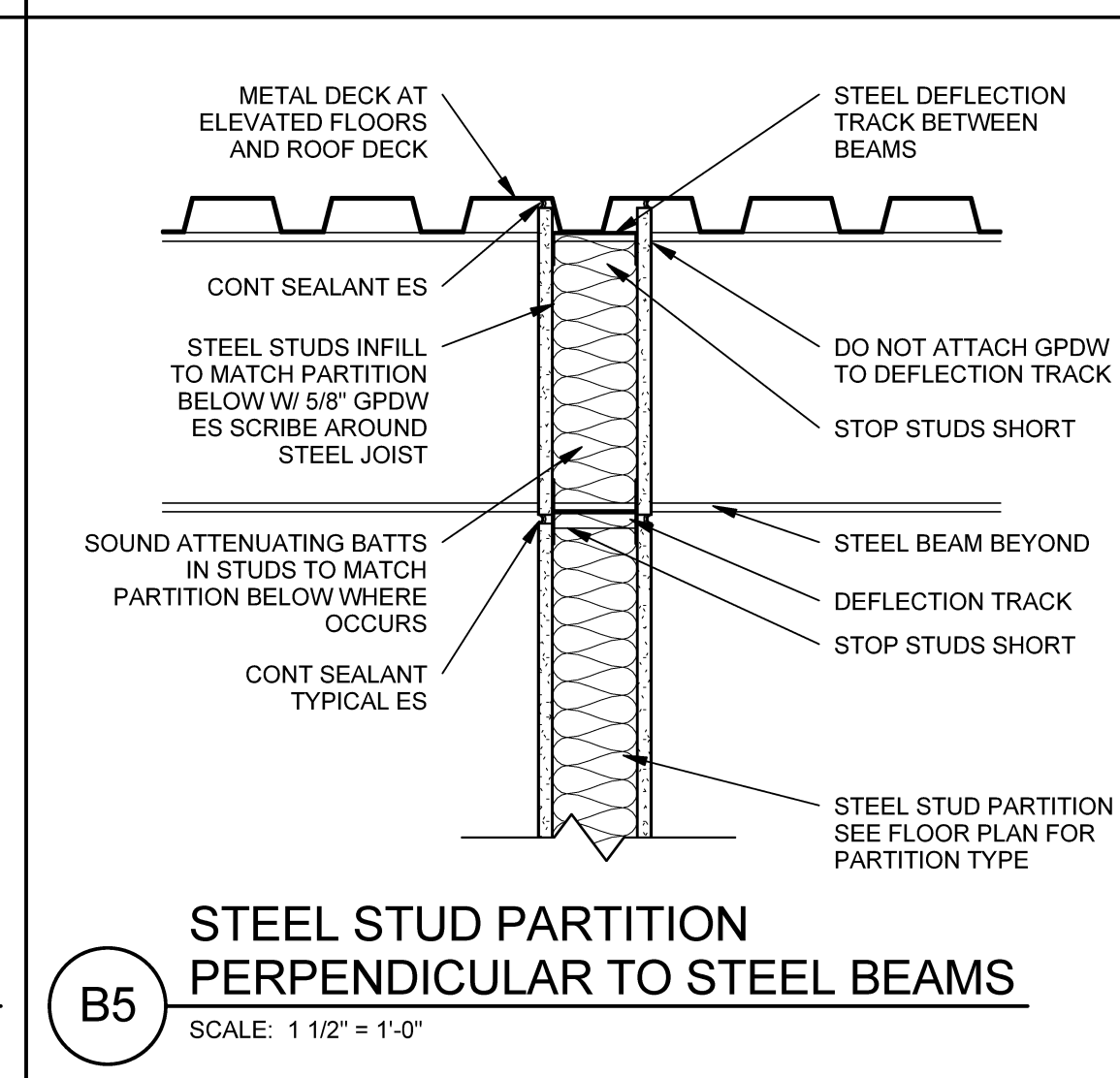
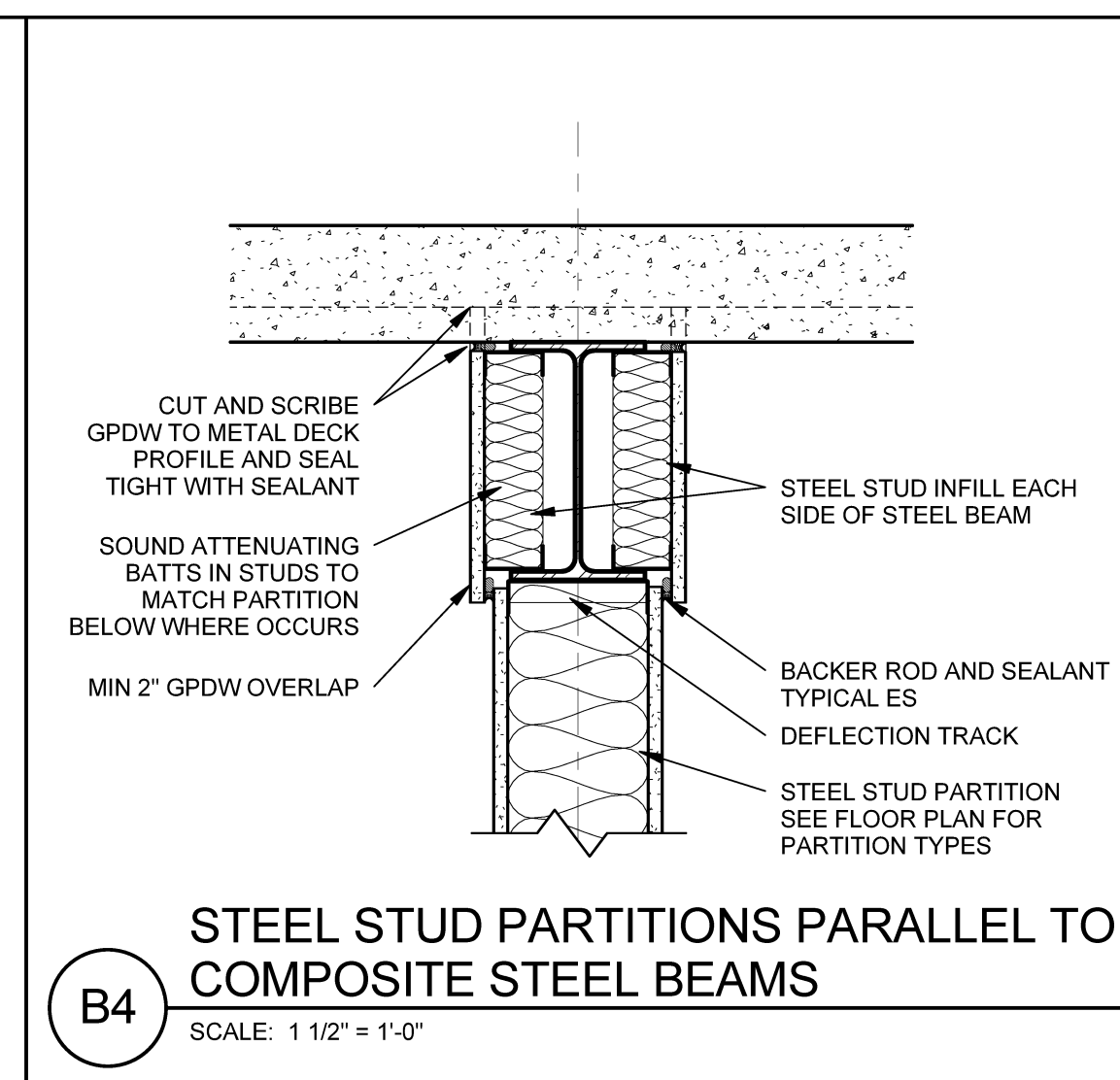
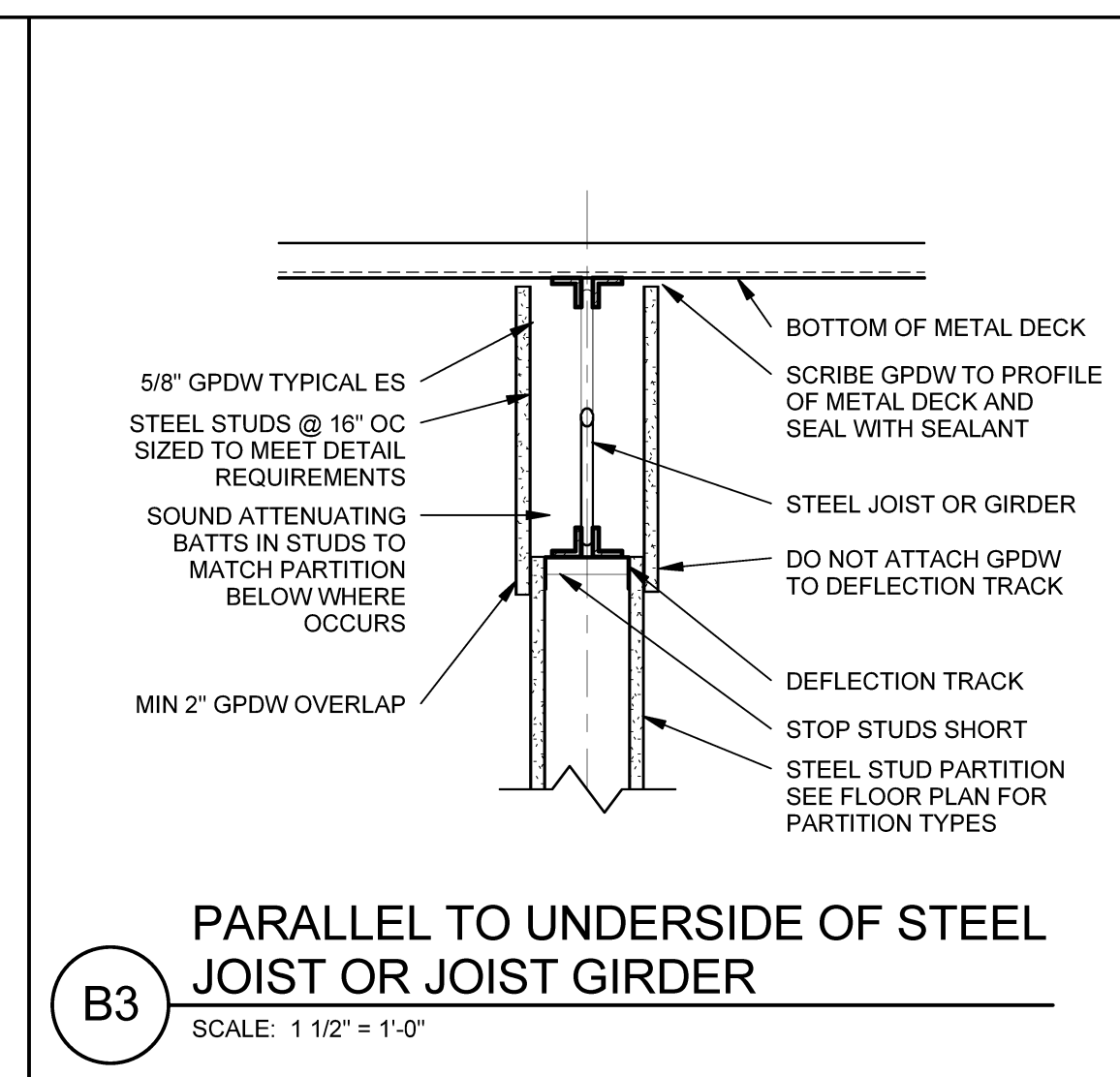
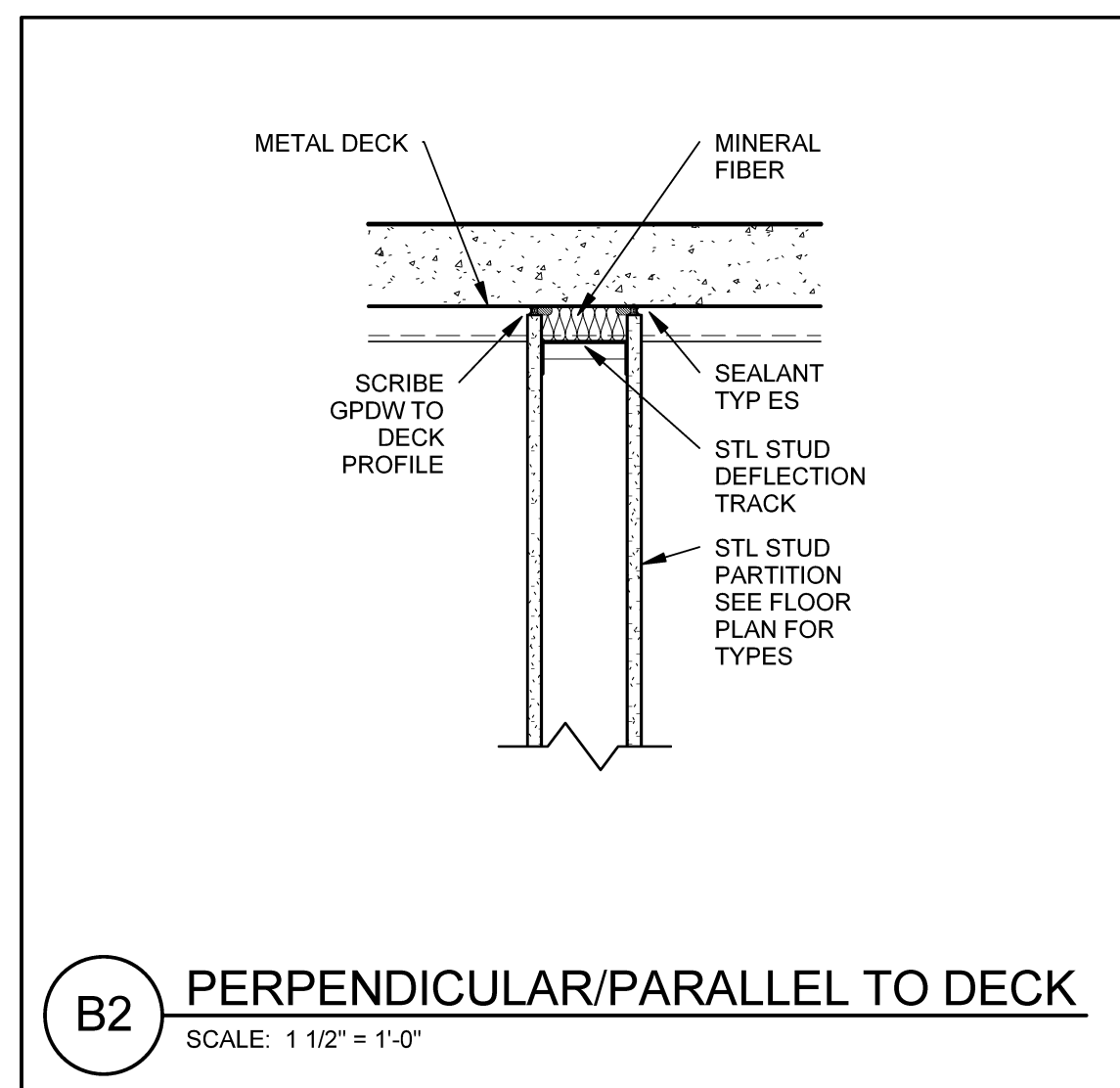
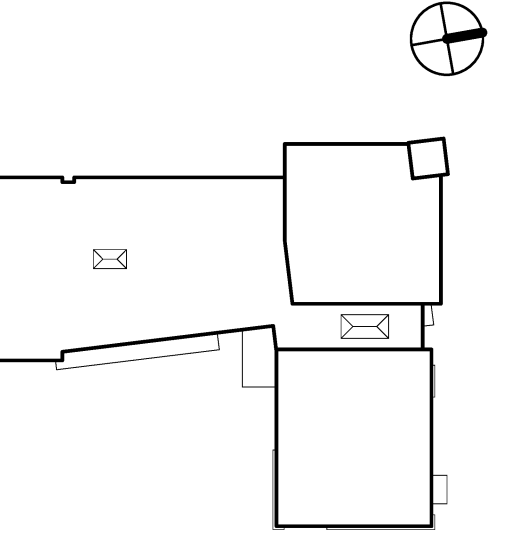
AUBURN PORTLAND MANCHESTER

JEWISH COMMUNITY ALLIANCE OF SOUTHERN MAINE

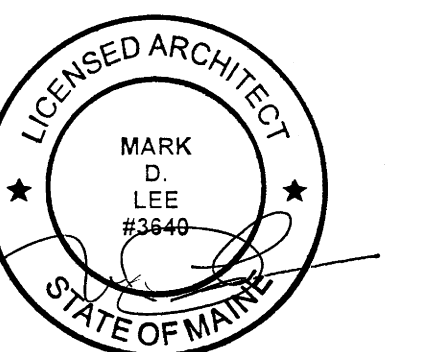
PORTLAND, ME

Harriman Project No. 15309

Key Plan Proj North



Issues and Revisions		
Mark	Date	Description
-	03-25-16	CONSTRUCTION DOCUMENTS



Drawing Scales	
1 1/2" = 1'-0"	

PA / PE: MDL © 2016 Harriman Associates
Drawn By: JAE

CONSTRUCTION SYSTEMS

A40.2