



HARRIMAN

AUBURN PORTLAND MANCHESTER

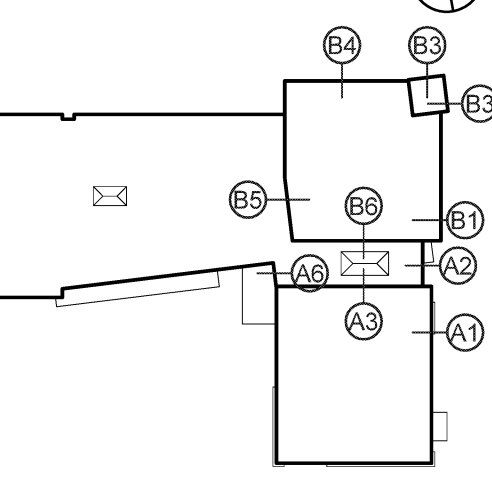
JEWISH COMMUNITY ALLIANCE OF SOUTHERN MAINE

PORTLAND, ME

Harriman Project No. 15309

Key Plan

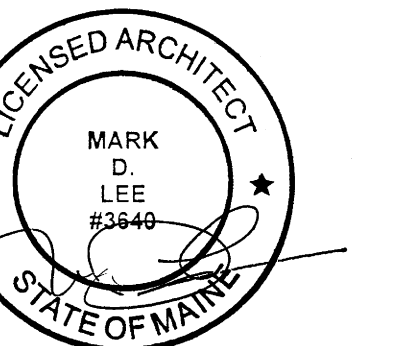
Proj North



GENERAL NOTES

1. COORDINATE INTERIOR PARTITIONS, SOFFITS, AND FINISHES WITH PLANS AND INTERIOR ELEVATIONS.
2. COORDINATE STRUCTURAL BEAMS, JOISTS, TRUSSES, FOUNDATIONS, ETC. WITH STRUCTURAL DRAWINGS.
3. SEE INTERIOR ELEVATIONS FOR ADDITIONAL INFORMATION NOT SHOWN IN BUILDING SECTIONS.

Mark	Date	Description
-	07-22-15	SCHEMATIC REVIEW
-	07-24-15	REVISED SCHEMATIC REVIEW
-	09-04-15	DESIGN DEVELOPMENT REVIEW
-	03-25-16	CONSTRUCTION DOCUMENTS

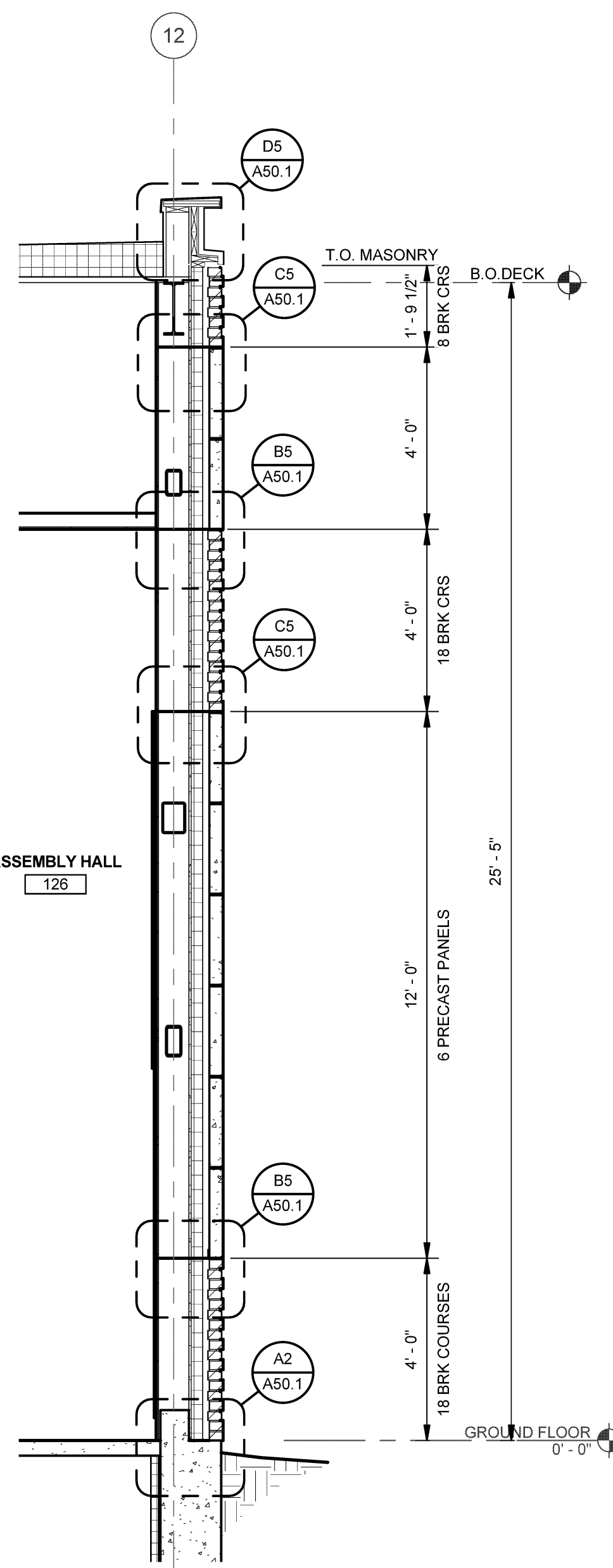


Drawing Scales
As indicated

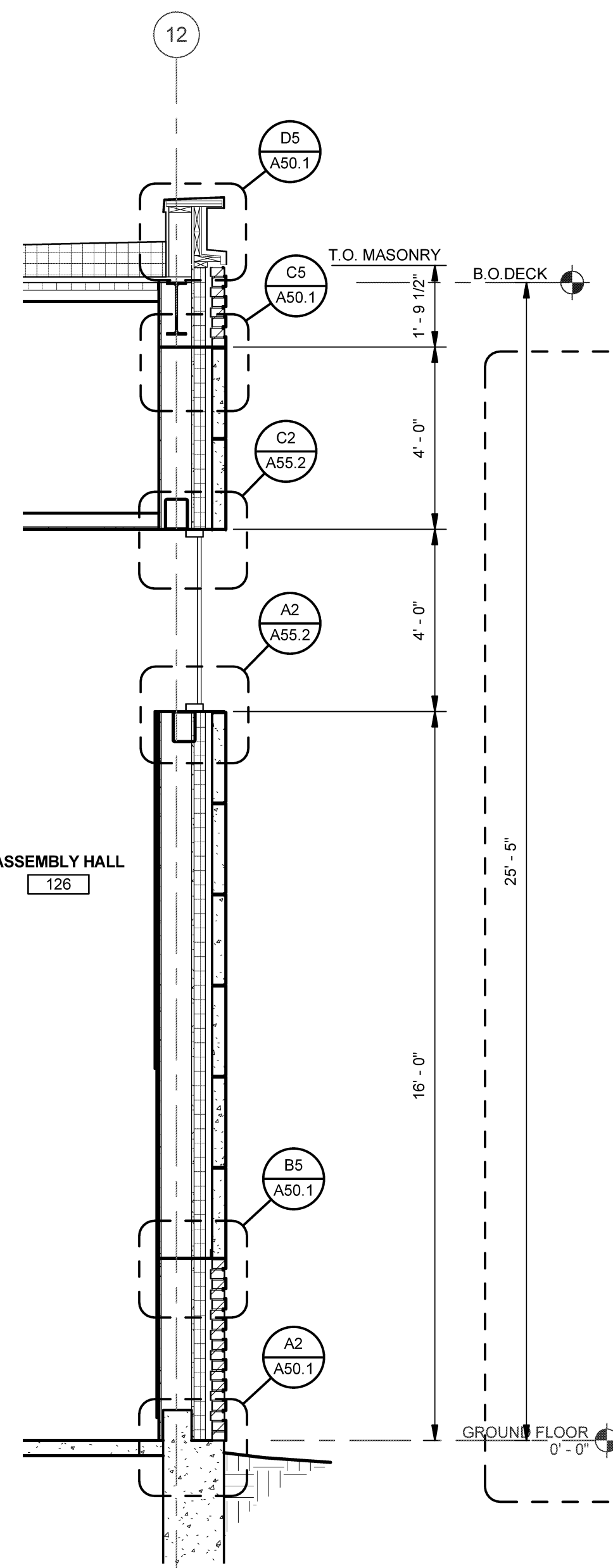
PA / PE: MDL © 2016 Harriman Associates
Drawn By: JAE

WALL SECTIONS

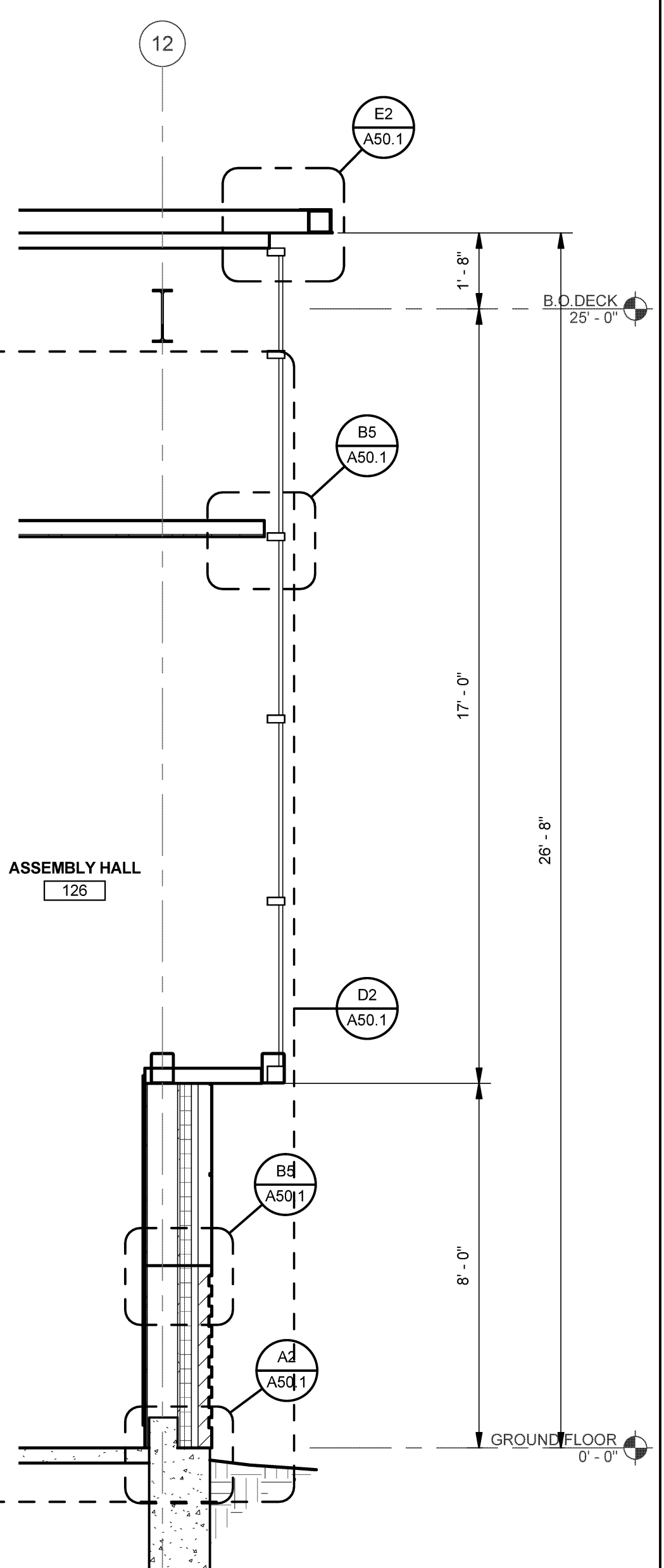
A30.2



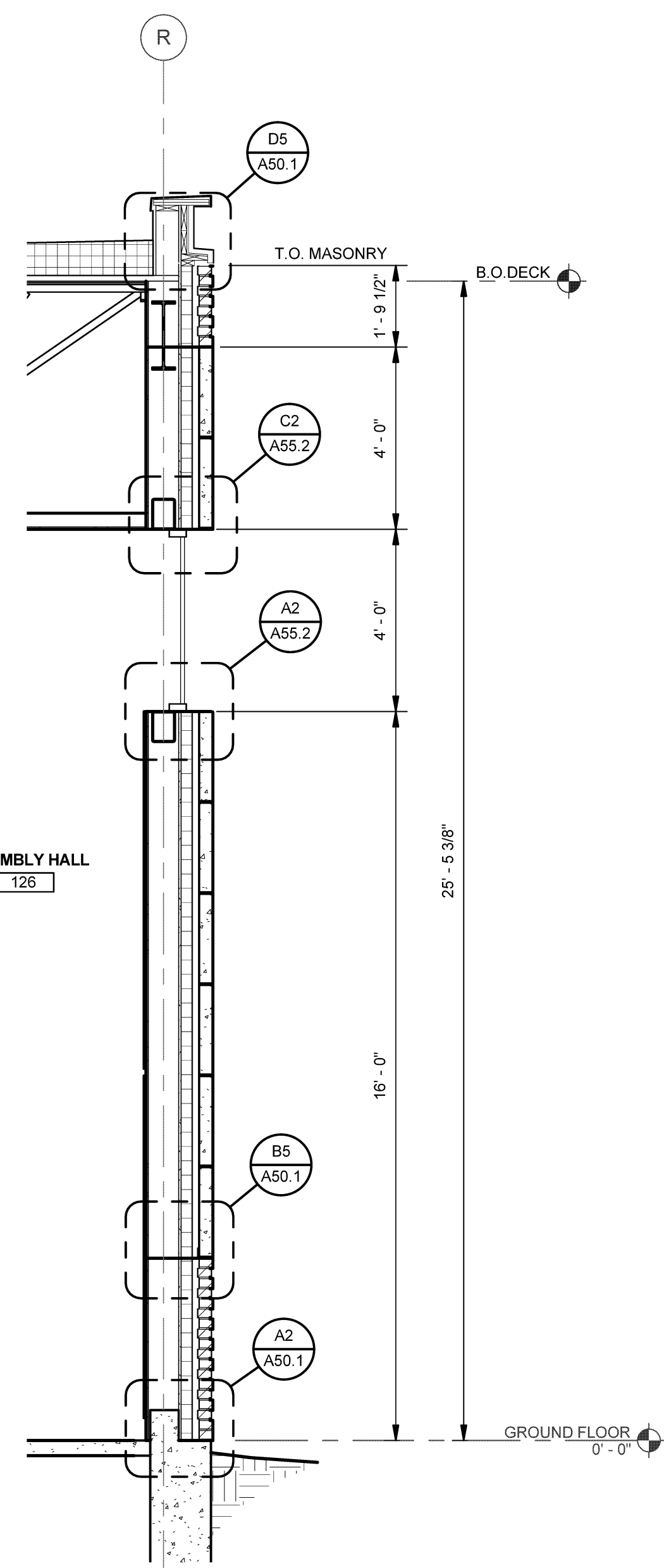
B1 SECTION AT ASSEMBLY, TYP
SCALE: 3/8" = 1'-0"



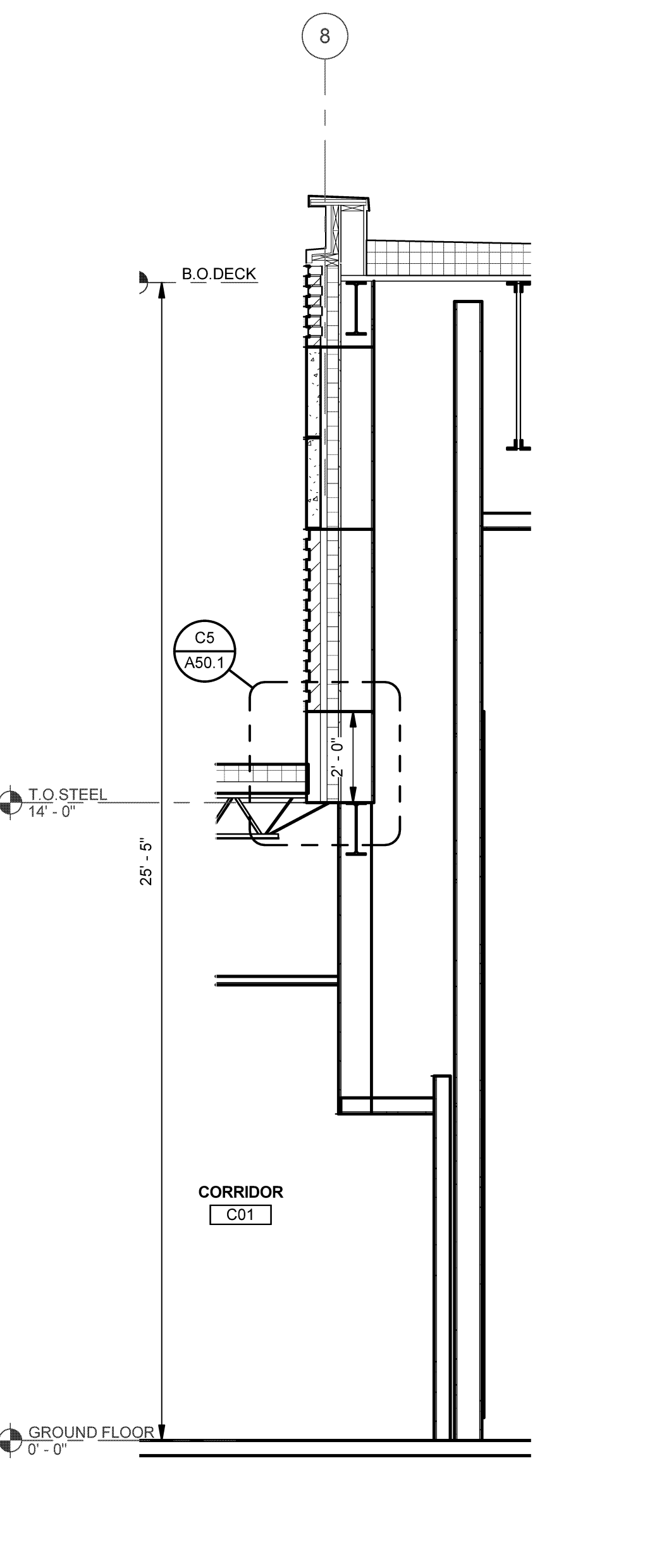
B2 SECTION AT ASSEMBLY 2
SCALE: 3/8" = 1'-0"



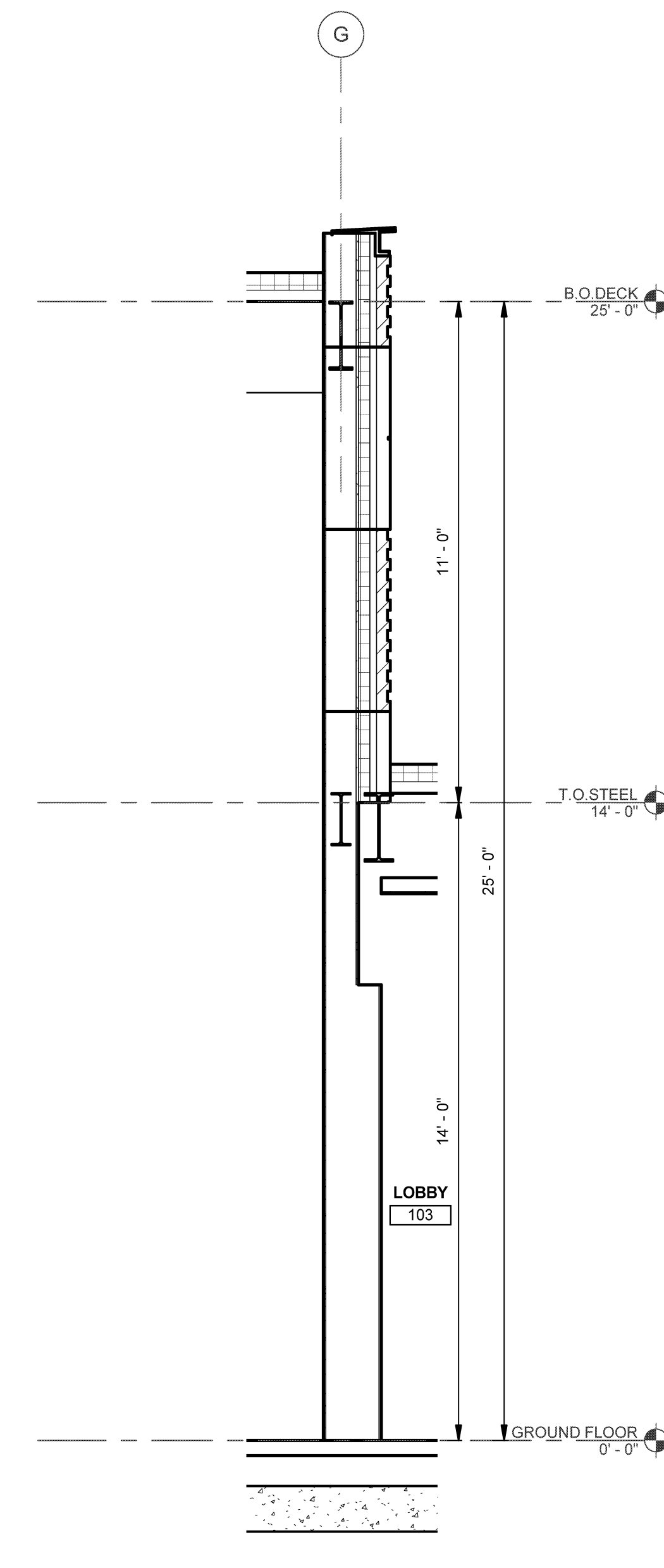
B3 SECTION AT ASSEMBLY 3
SCALE: 3/8" = 1'-0"



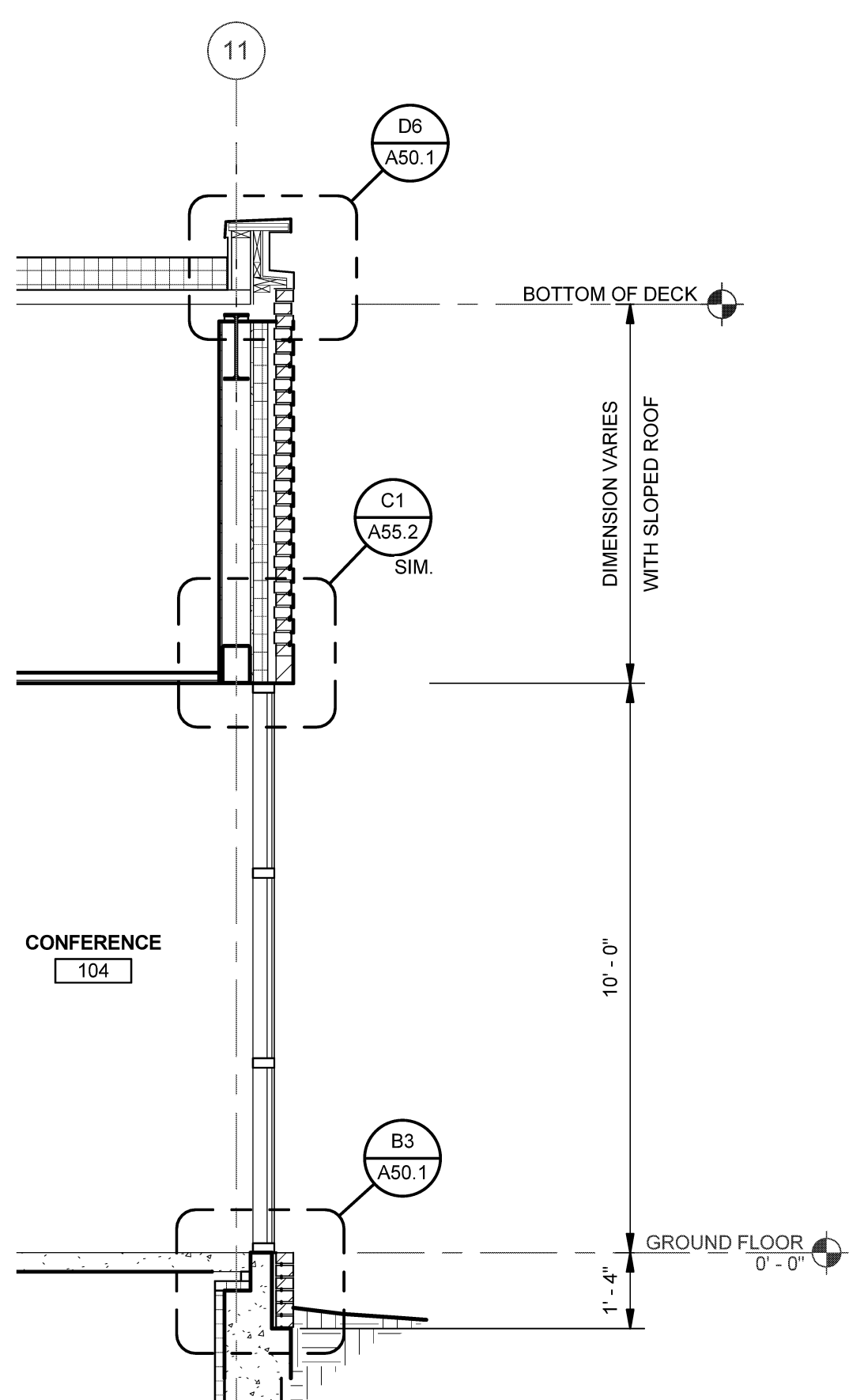
B4 SECTION AT ASSEMBLY 4
SCALE: 3/8" = 1'-0"



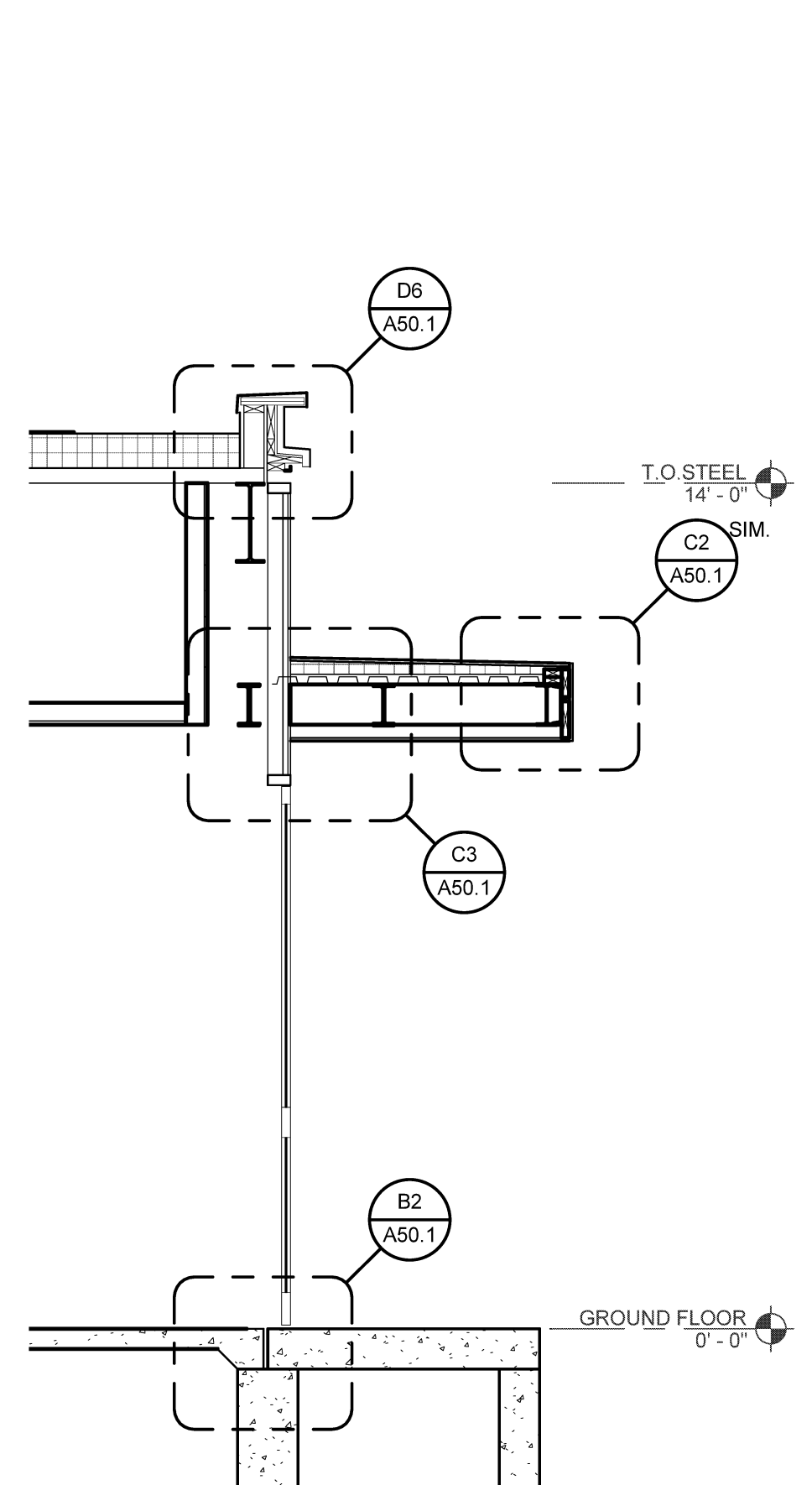
B5 SECTION AT CORRIDOR/ASSEMBLY
SCALE: 3/8" = 1'-0"



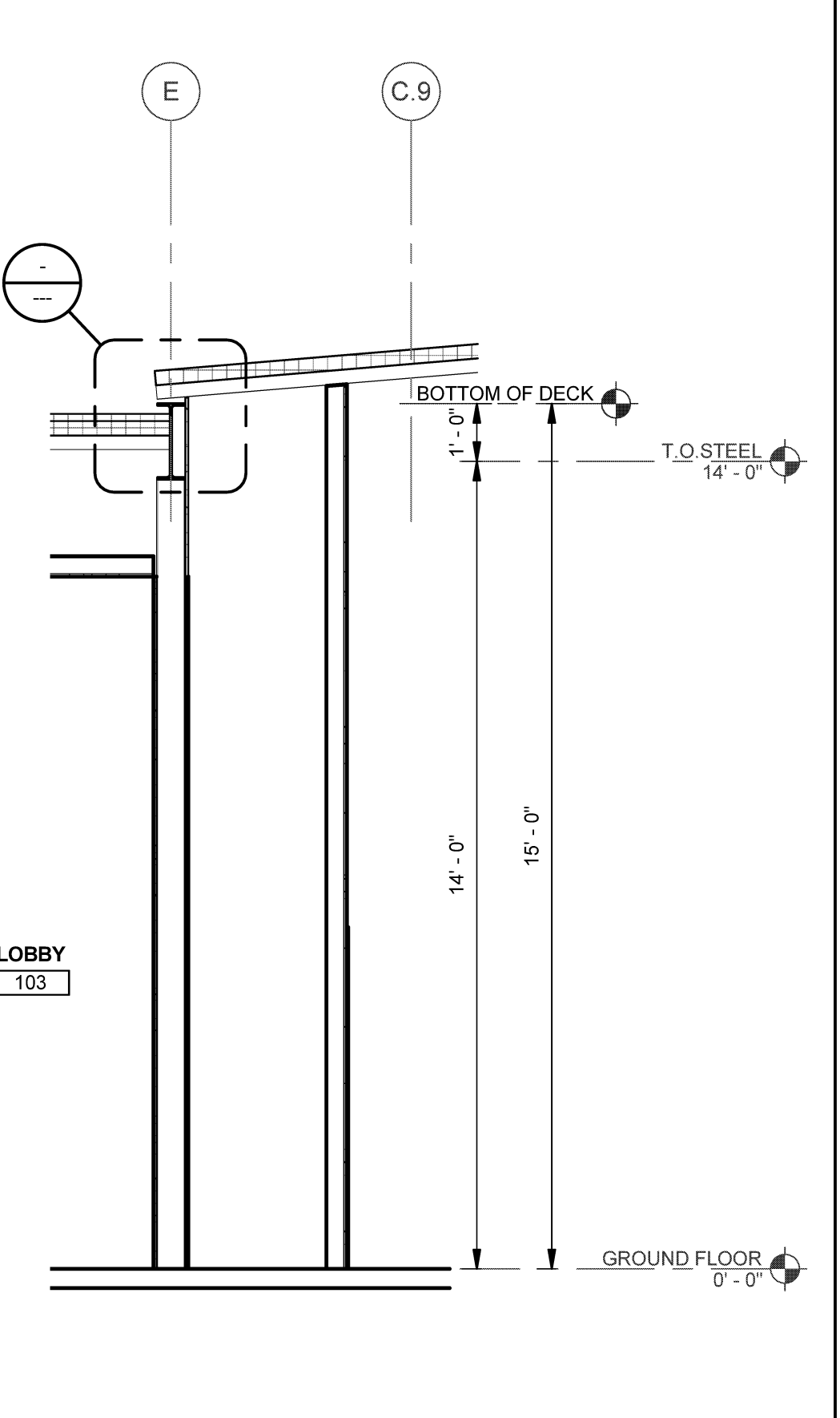
B6 SECTION AT LOBBY/ASSEMBLY
SCALE: 3/8" = 1'-0"



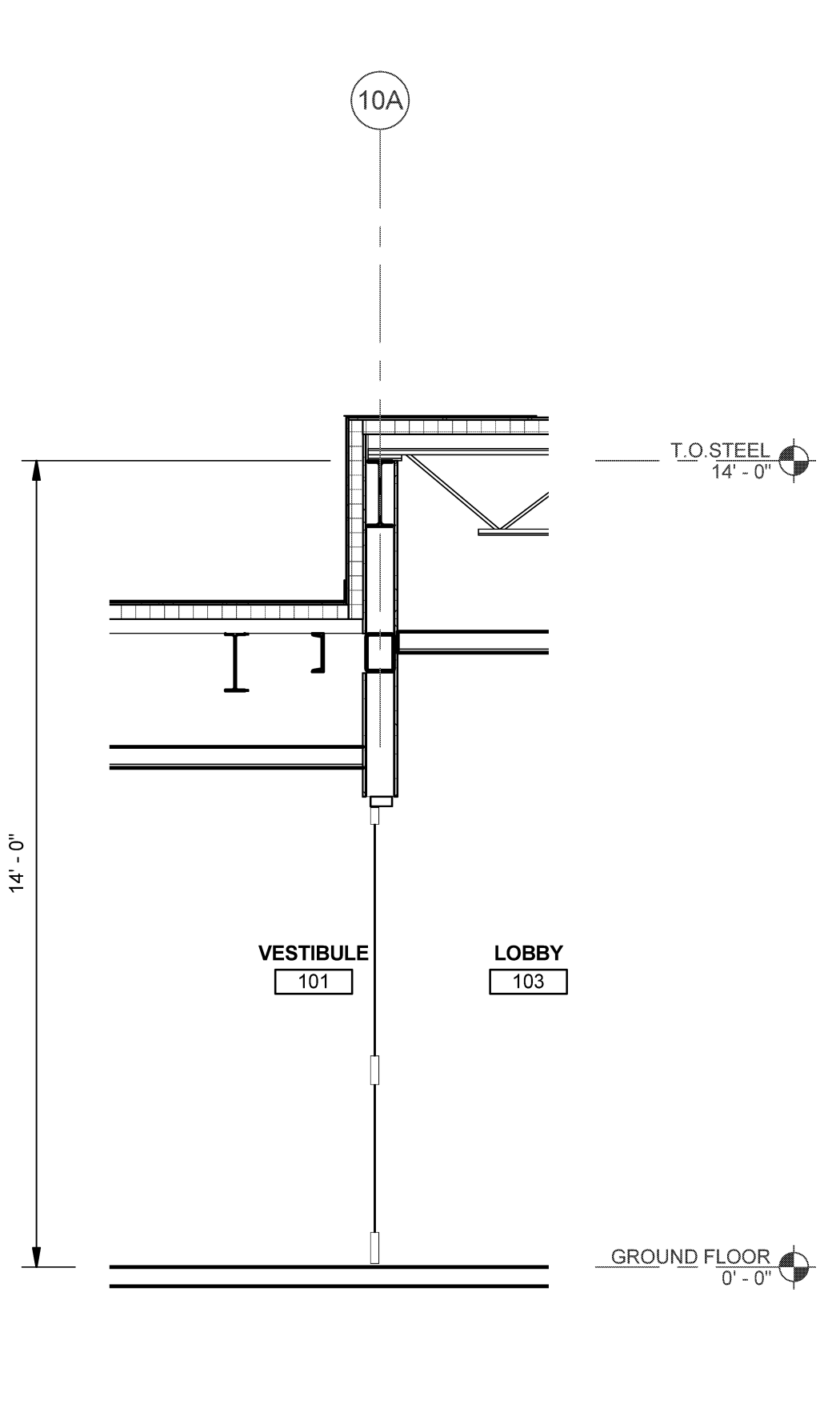
A1 SECTION AT CONFERENCE
SCALE: 3/8" = 1'-0"



A2 SECTION AT LOBBY
SCALE: 3/8" = 1'-0"



A3 SECTION AT LOBBY/CHASE
SCALE: 3/8" = 1'-0"



A4 SECTION AT LOBBY/VESTIBULE 101
SCALE: 3/8" = 1'-0"