



HARRIMAN

AUBURN PORTLAND MANCHESTER

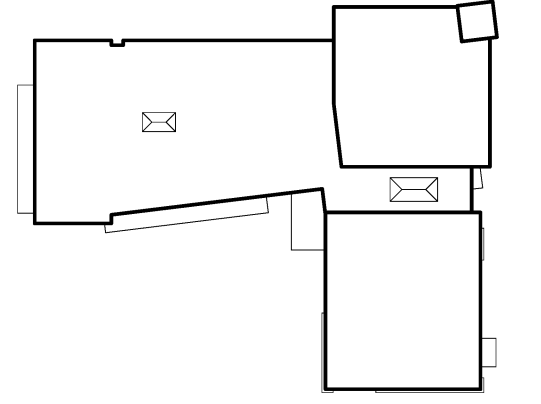
JEWISH COMMUNITY ALLIANCE OF SOUTHERN MAINE

PORTLAND, ME

Harriman Project No. 15309

Key Plan

Proj North



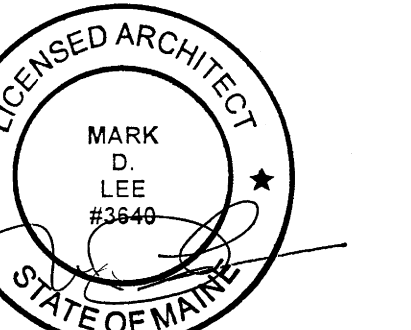
GENERAL NOTES

- 1. PROVIDE CRICKET INSULATION AT MECHANICAL CURB LOCATIONS WHERE UNIT IS BETWEEN HIGH POINT OF ROOF AND ROOF DRAINS.
2. COORDINATE ALL ROOF PENETRATIONS WITH MECHANICAL, PLUMBING, AND ELECTRICAL DRAWINGS.

LEGEND

- DIRECTION OF SLOPE
MECHANICAL UNIT
ROOF TYPE MARKER
VENT THROUGH ROOF
ROOF DRAIN
ROOF TIE-OFF
TAPERED INSULATION CRICKET

Issues and Revisions table with columns: Mark, Date, Description

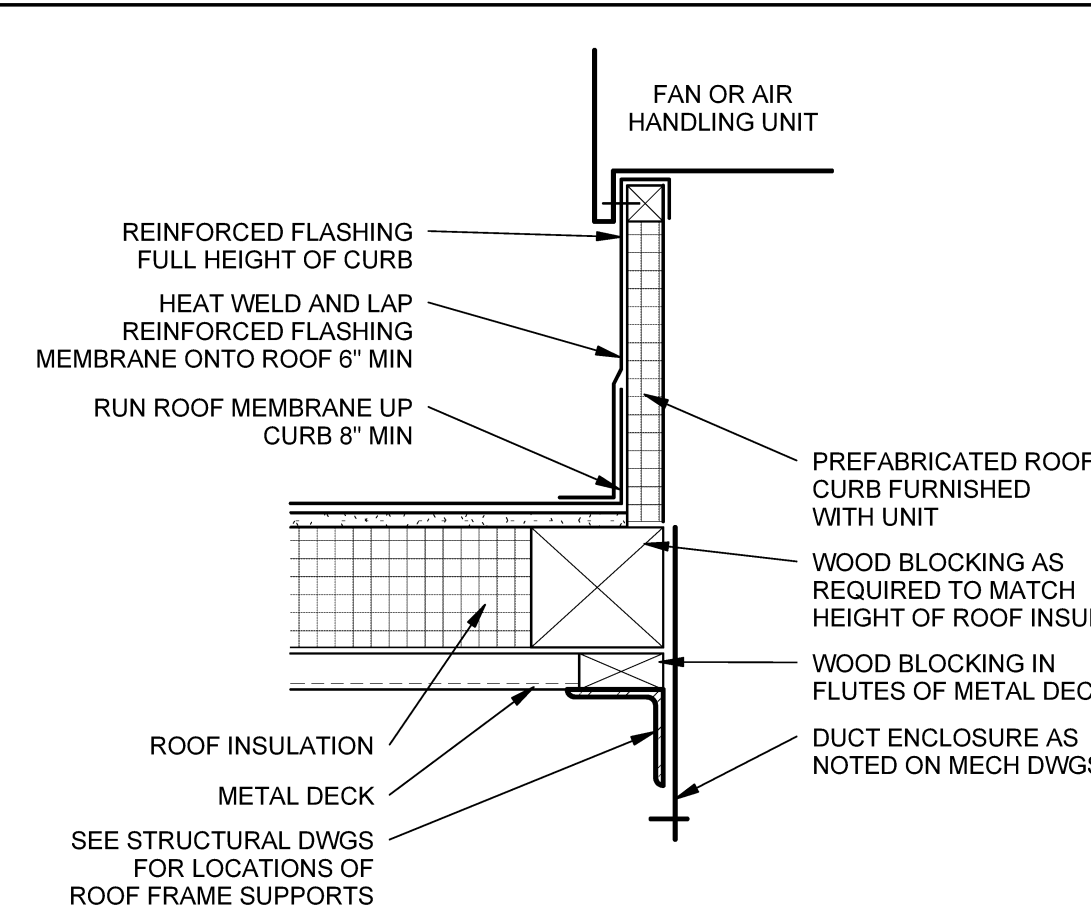


Drawing Scales: As indicated

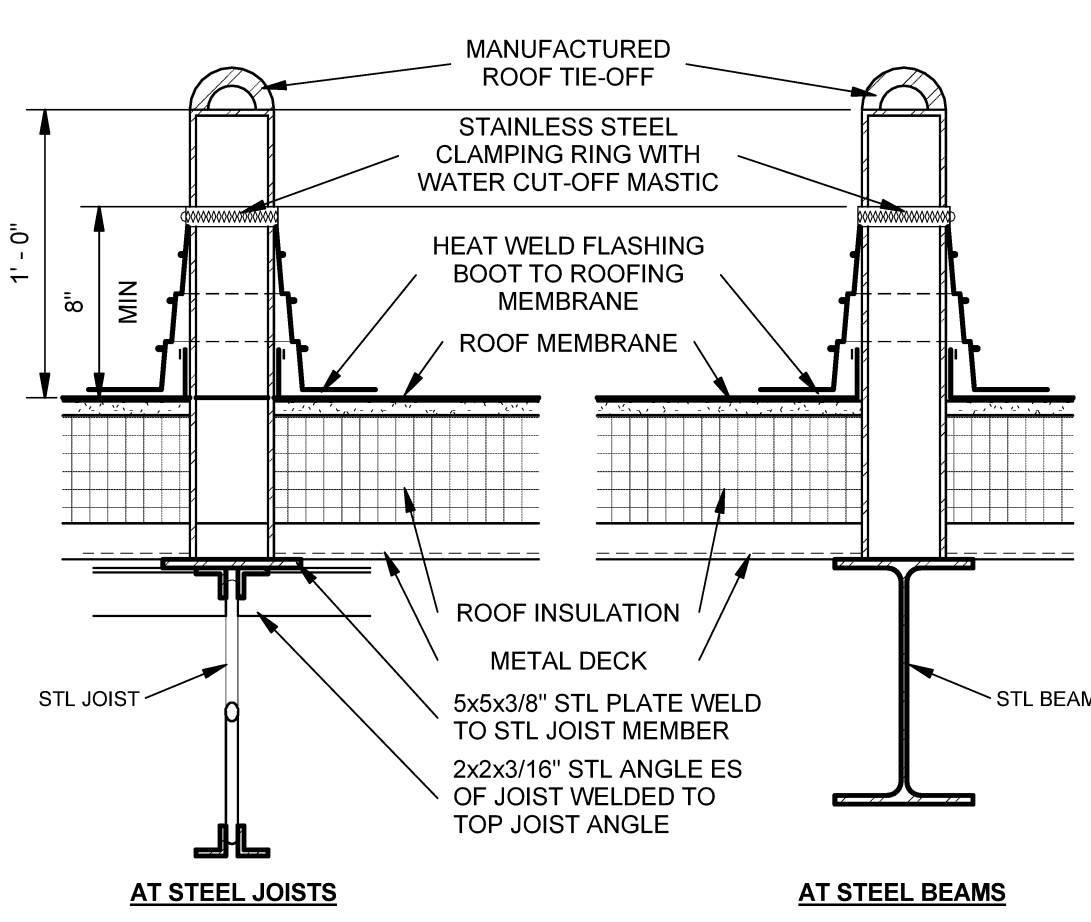
PA/PE: MDL © 2016 Harriman Associates
Drawn By: JAE

ROOF PLAN

A15.1

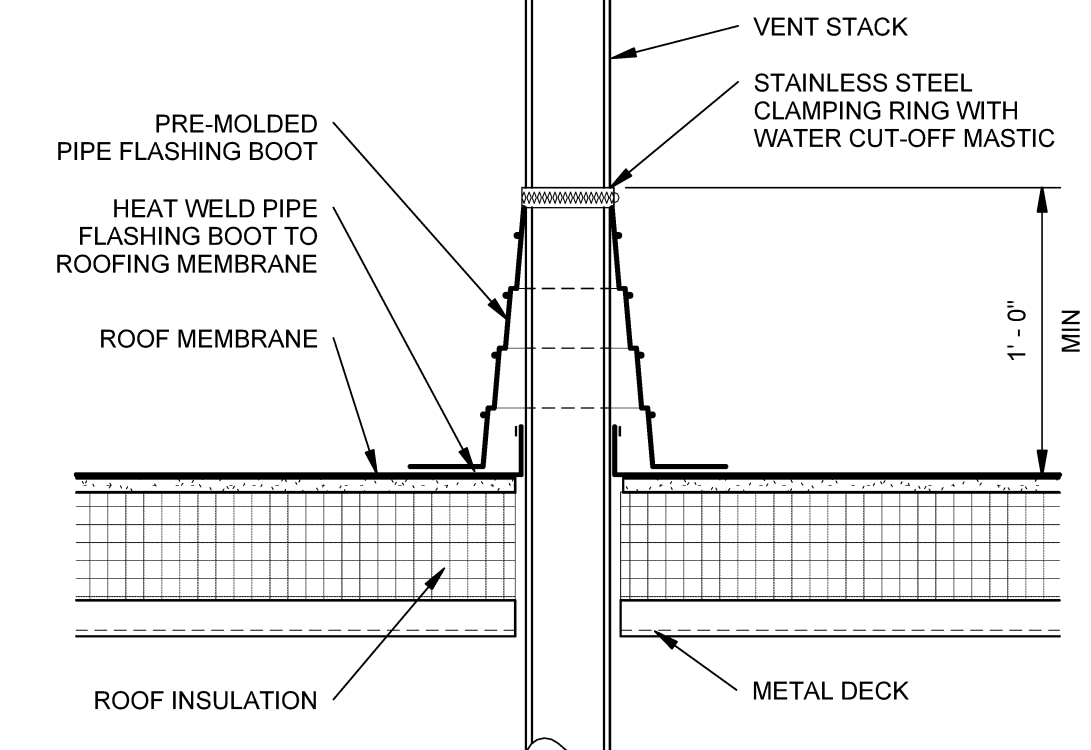


E1 MECH HOOD/EXHAUST CURB, TYP SCALE: 1 1/2" = 1'-0"



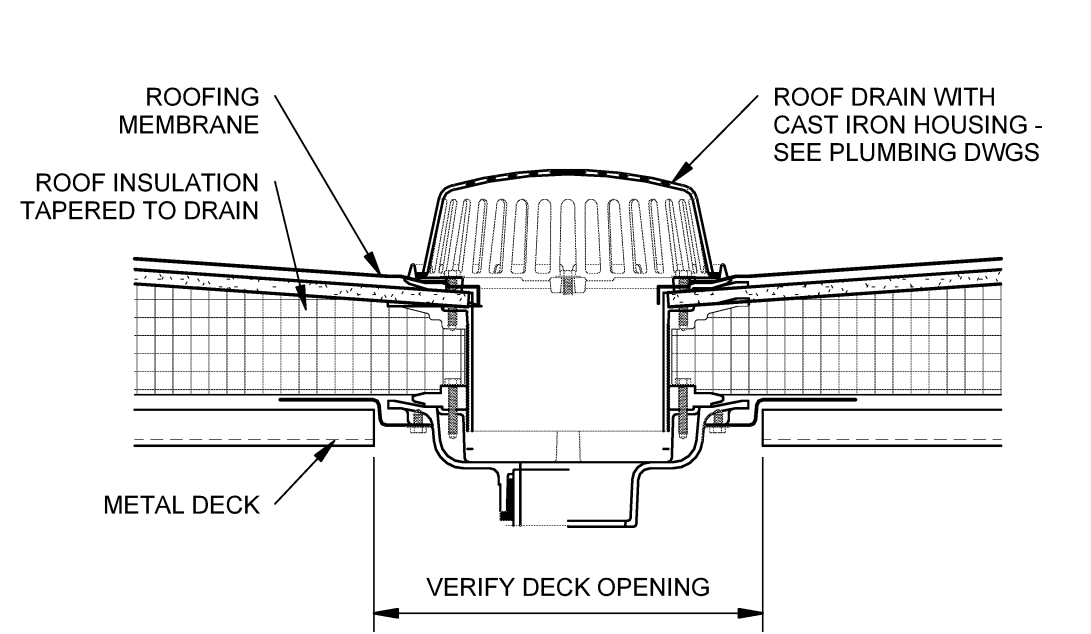
D1 ROOF TIE-OFF DETAIL, TYP SCALE: 1 1/2" = 1'-0"

- NOTES: 1. FOLLOW STANDARD MANUFACTURER'S INSTALLATION DETAILS. 2. PROVIDE SIMILAR PIPE BOOT FLASHING AT ELECTRICAL CONDUITS.

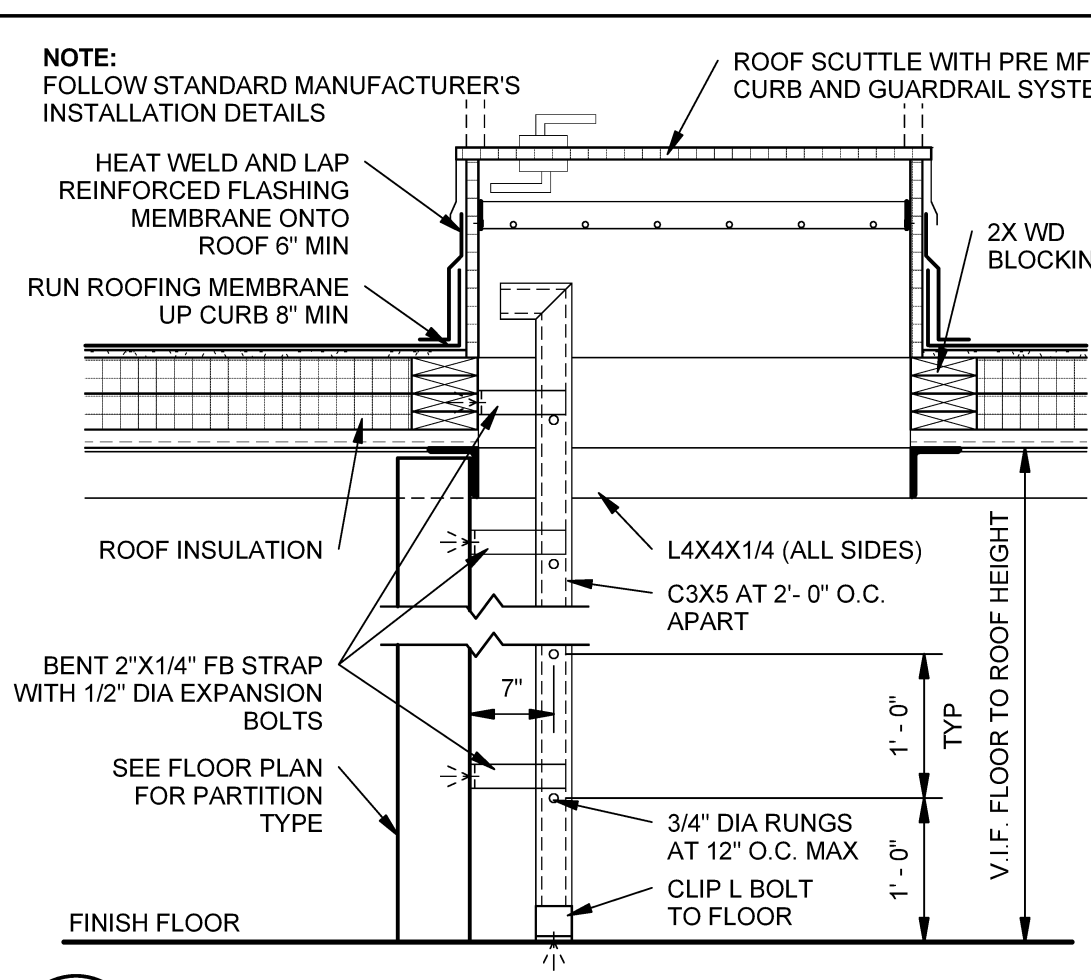


C1 VENT STACK DETAIL, TYP SCALE: 1 1/2" = 1'-0"

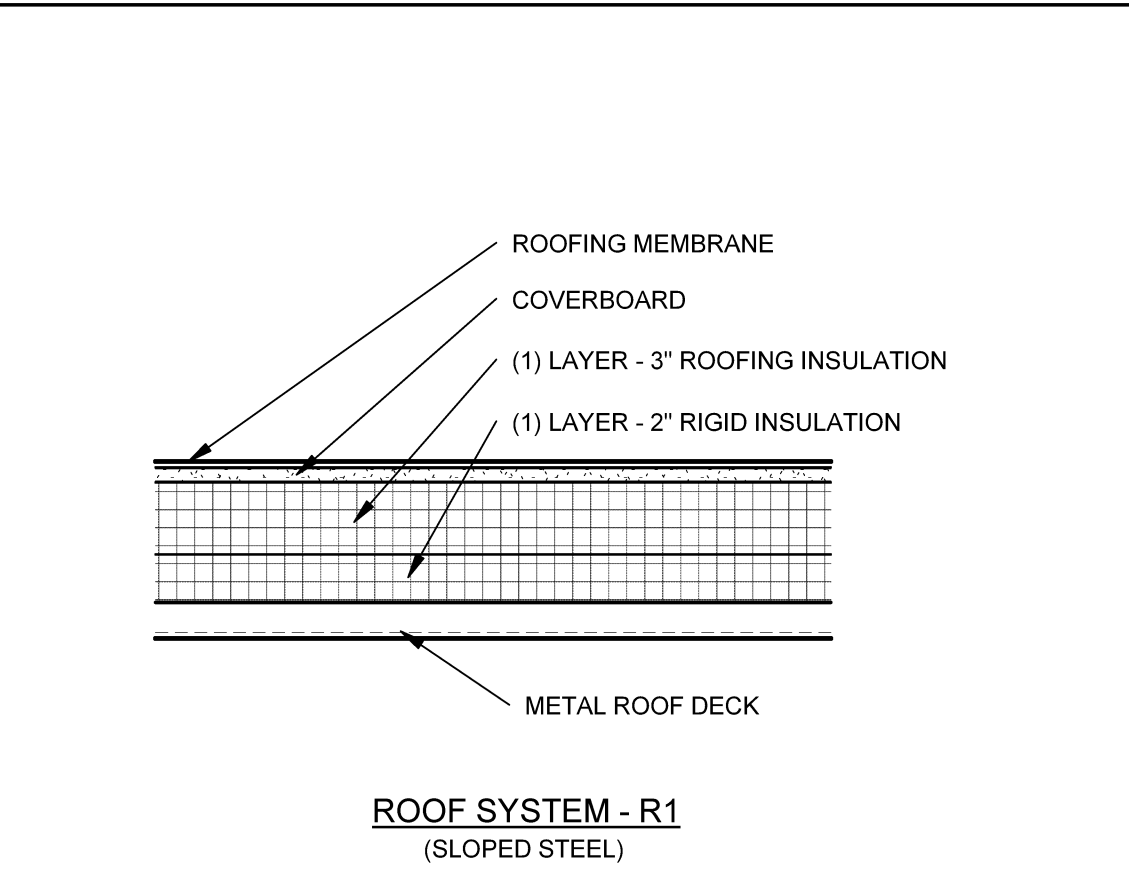
- NOTE: FOLLOW STANDARD MANUFACTURER'S INSTALLATION DETAILS.



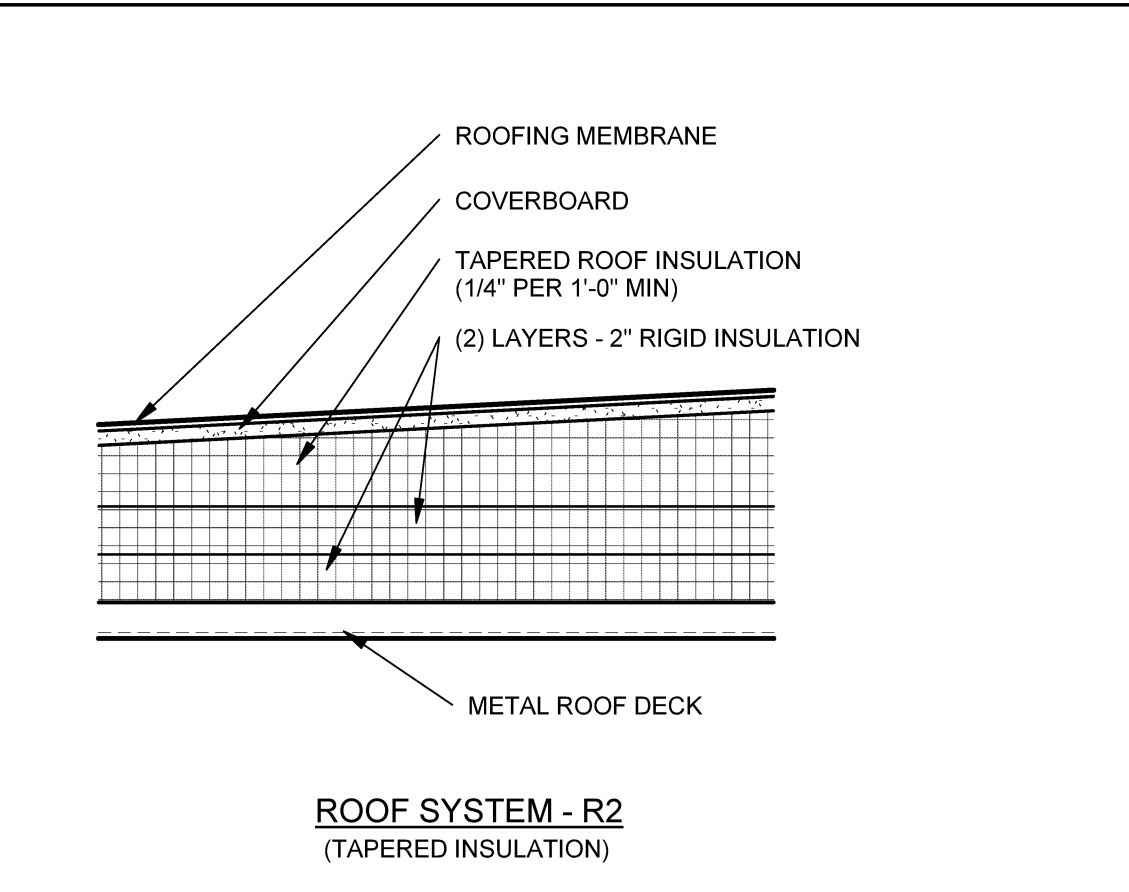
B1 ROOF DRAIN DETAIL, TYP SCALE: 1 1/2" = 1'-0"



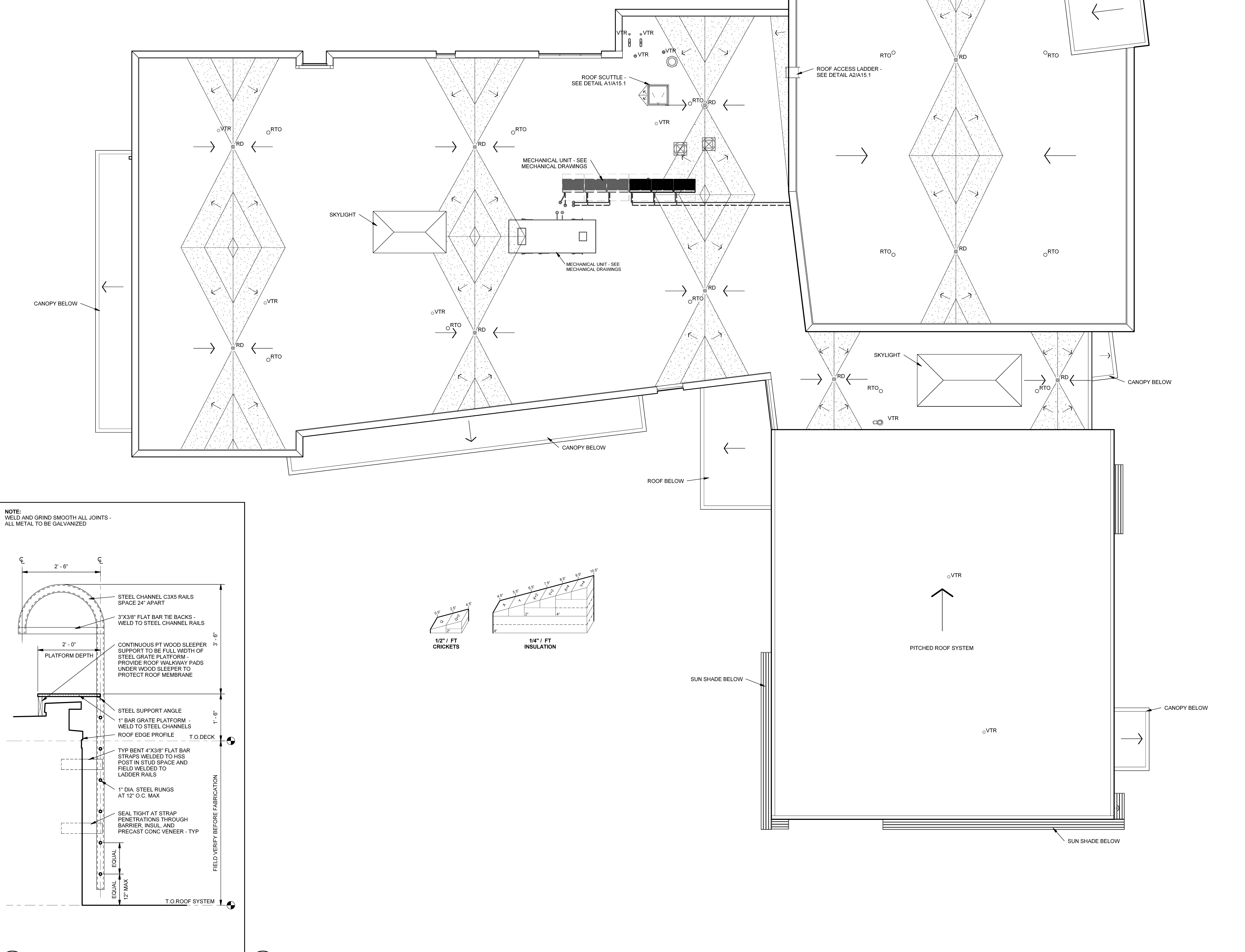
A1 ROOF SCUTTLE DETAIL SCALE: 3/4" = 1'-0"



ROOF SYSTEM - R1 (SLOPED STEEL)



ROOF SYSTEM - R2 (TAPERED INSULATION)



A2 ROOF LADDER DETAIL SCALE: 3/4" = 1'-0"

A3 ROOF PLAN SCALE: 1/8" = 1'-0"

Plot Date: 3/23/2016 1:16:49 PM