



HARRIMAN

AUBURN PORTLAND MANCHESTER

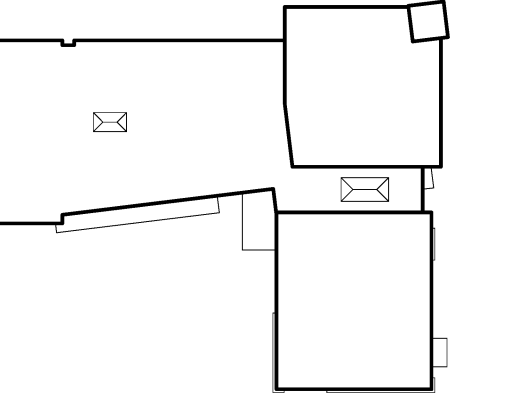
JEWISH COMMUNITY ALLIANCE OF SOUTHERN MAINE

PORTLAND, ME

Harriman Project No. 15309

Key Plan

Proj North



GENERAL NOTES

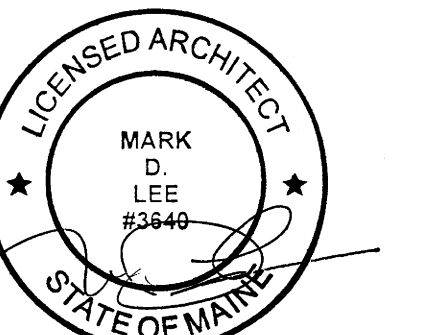
- DIMENSIONS LOCATING INTERIOR PARTITIONS ARE TO FACE OF GPDW, U.N.O.
- SEE DRAWING A4.1 FOR PARTITION TYPES.
- GC TO PROVIDE SOLID BLOCKING IN STUD WALLS FOR MOUNTING OF ALL OWNER AND GC PROVIDED ACCESSORIES.

LEGEND

- WATER CLOSET
- URINAL
- LAVATORY
- PAPER TOWEL DISPENSER - PTD (OWNER FURNISHED GC INSTALLED)
- GRAB BARS
- TOILET TISSUE DISPENSER - TTD (OWNER FURNISHED GC INSTALLED)
- SOAP DISPENSER - SD (OWNER FURNISHED GC INSTALLED)

Issues and Revisions

Mark	Date	Description
-	09-04-15	DESIGN DEVELOPMENT REVIEW
-	03-25-16	CONSTRUCTION DOCUMENTS



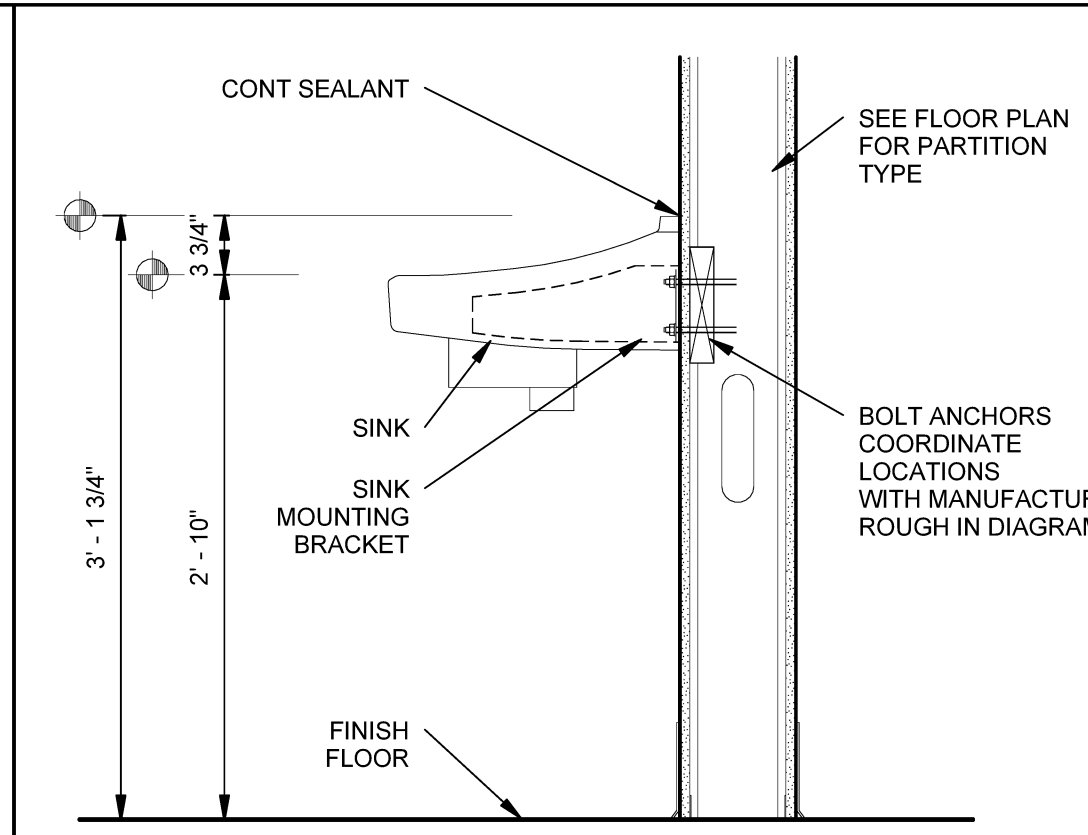
Drawing Scales As indicated

PA/PE: MDL © 2016 Harriman Associates

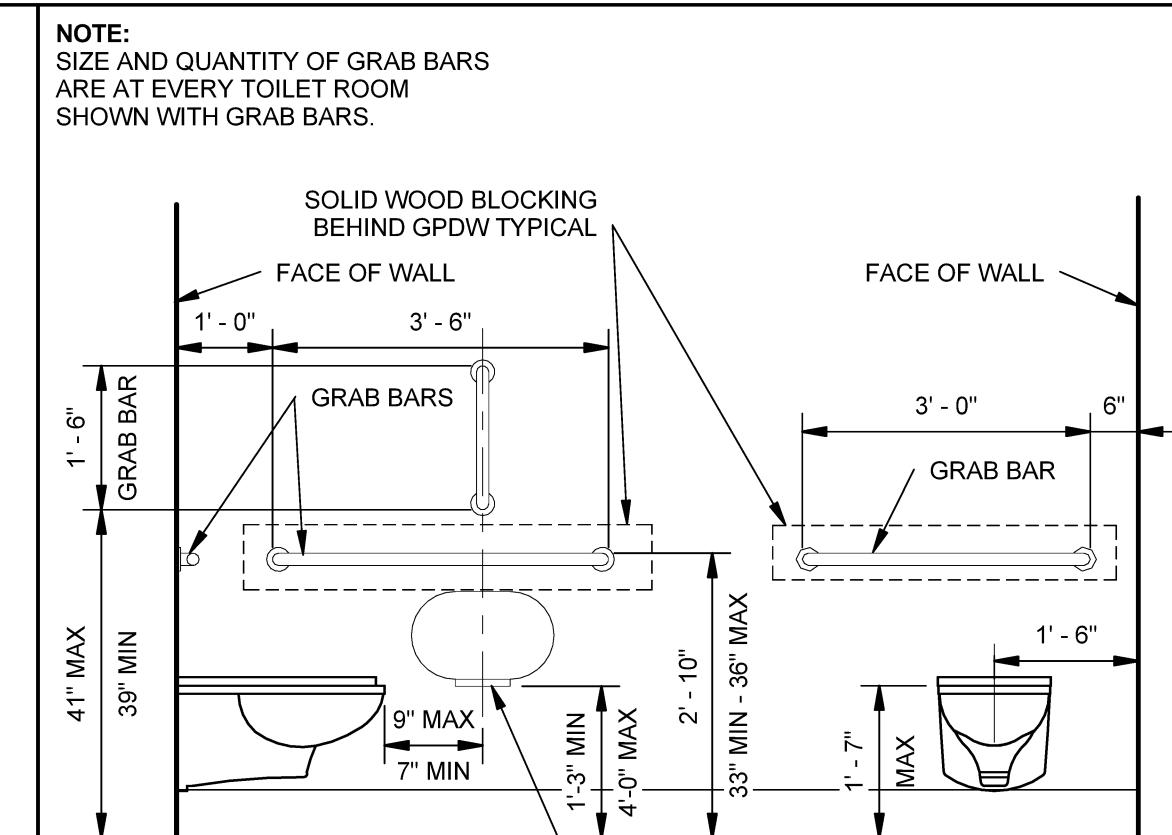
Drawn By: JAE

G-5 ENLARGED PLANS G-6

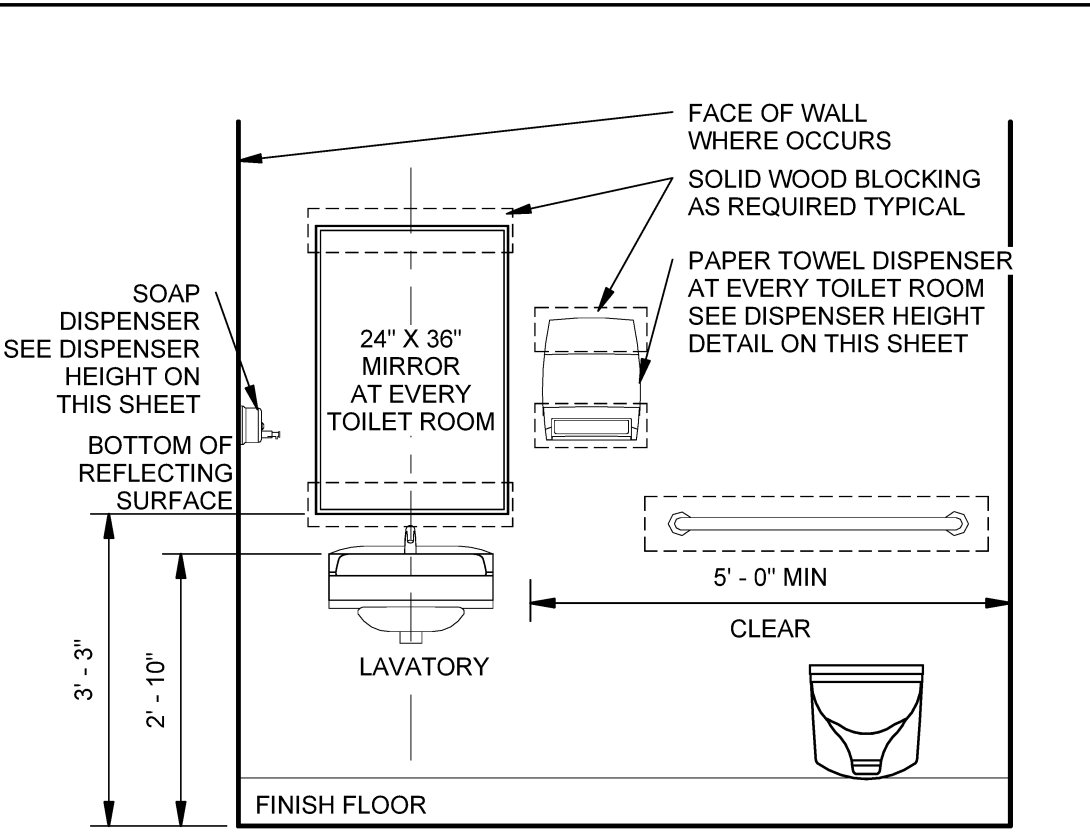
A11.1



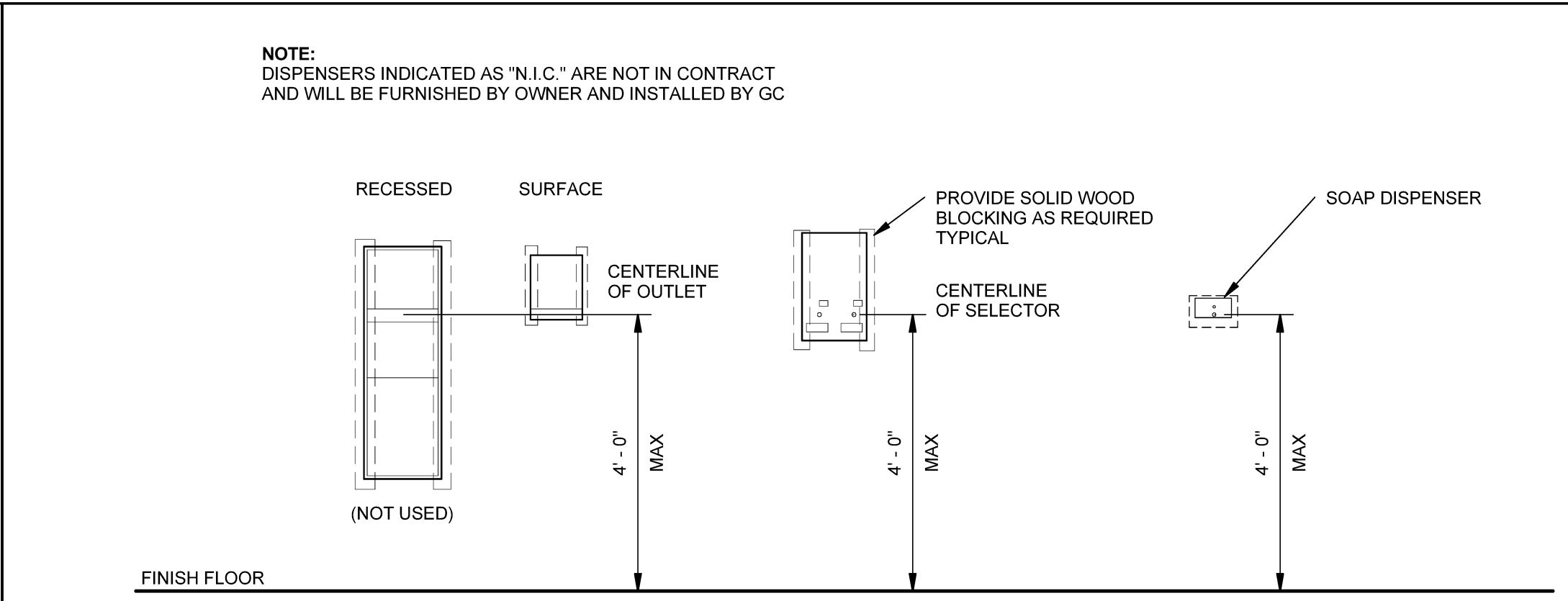
E2 LAVATORY MOUNTING DETAIL SCALE: 1" = 1'-0"



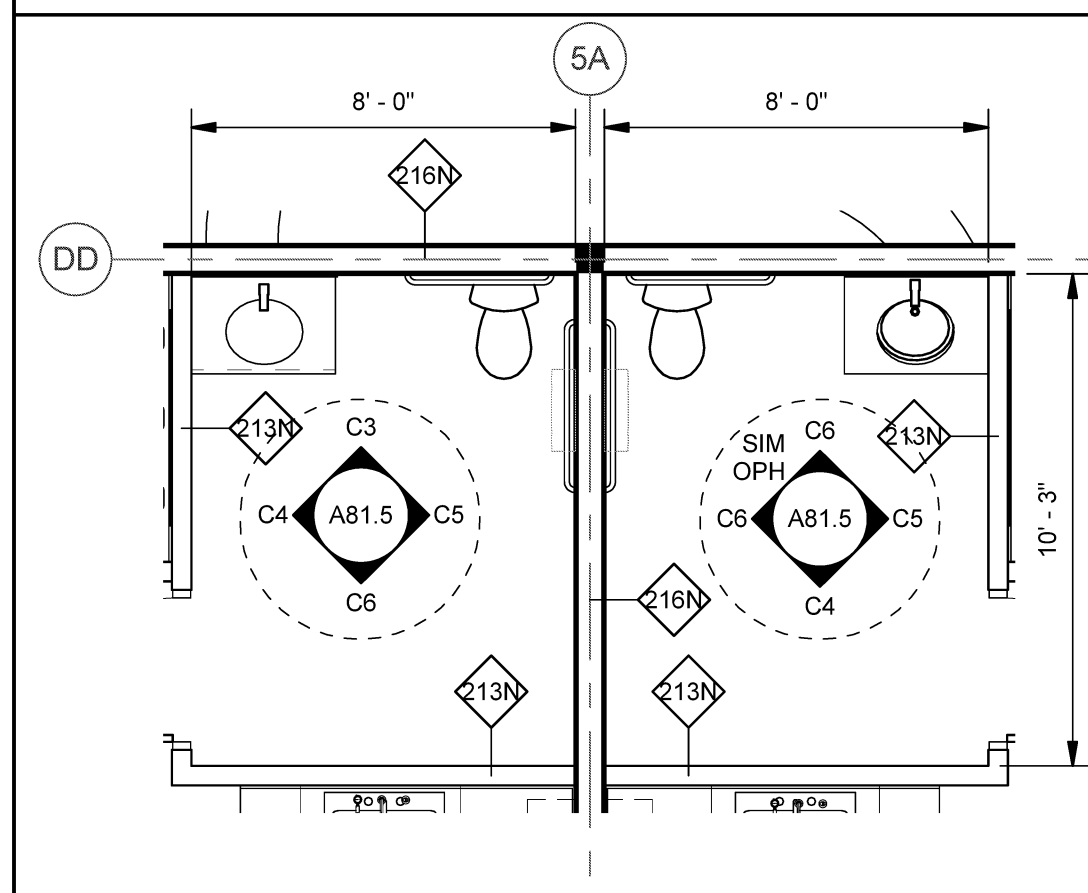
E3 MOUNTING DETAILS SCALE: 1/2" = 1'-0"



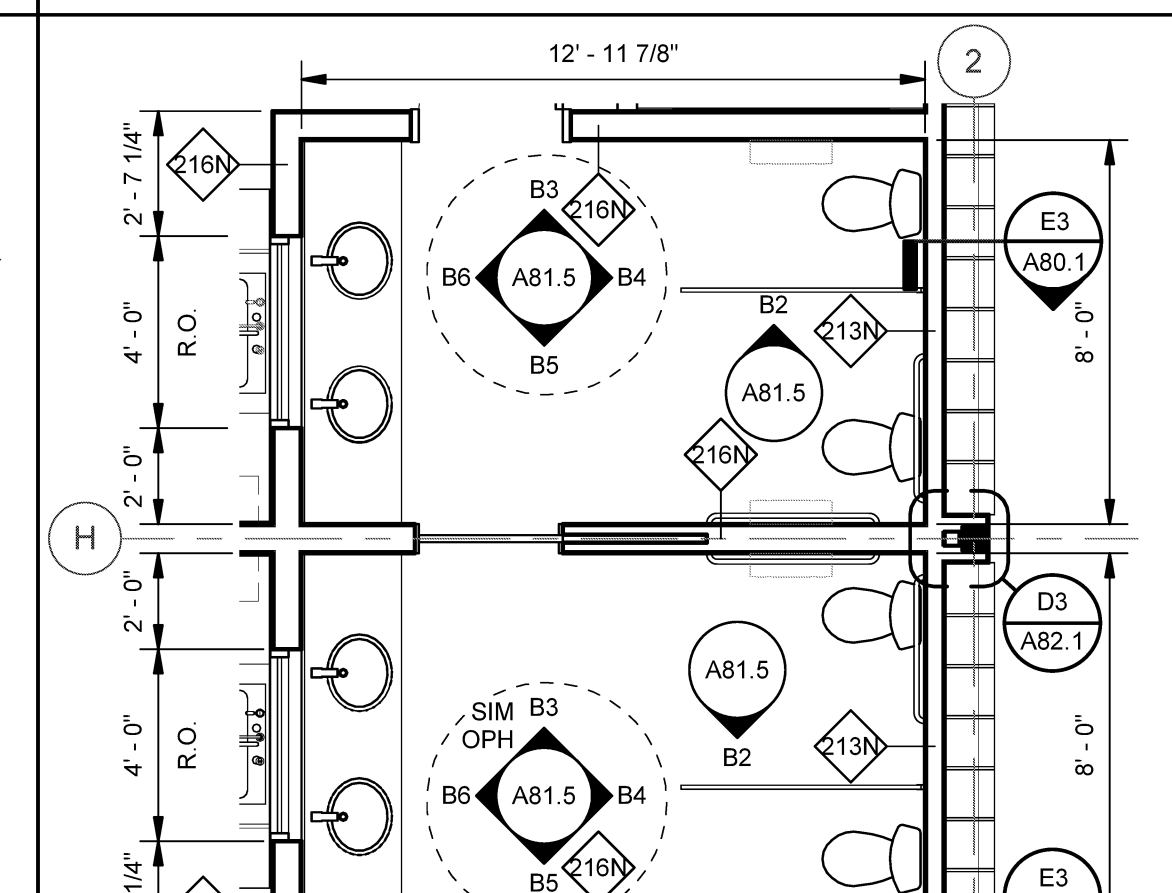
E4 LAVATORY MOUNTING HEIGHTS SCALE: 1/2" = 1'-0"



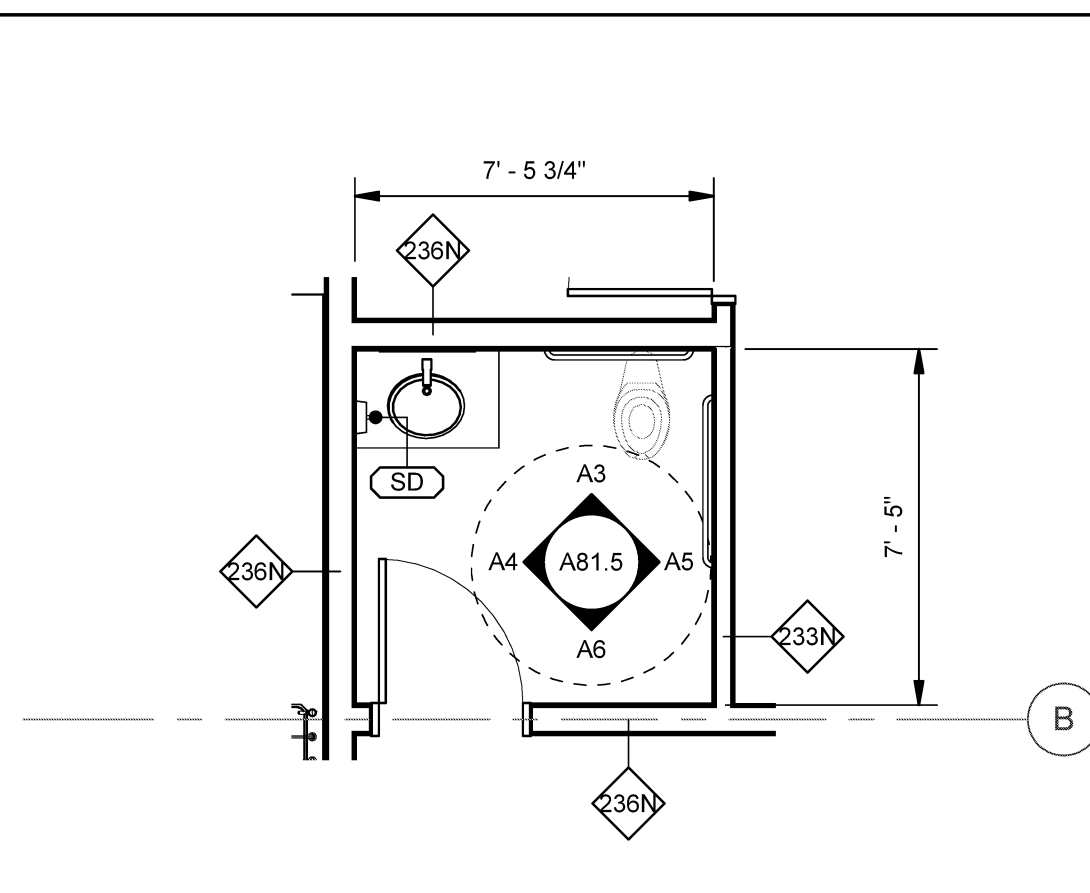
E5 DISPENSER MOUNTING HEIGHTS SCALE: 1/2" = 1'-0"



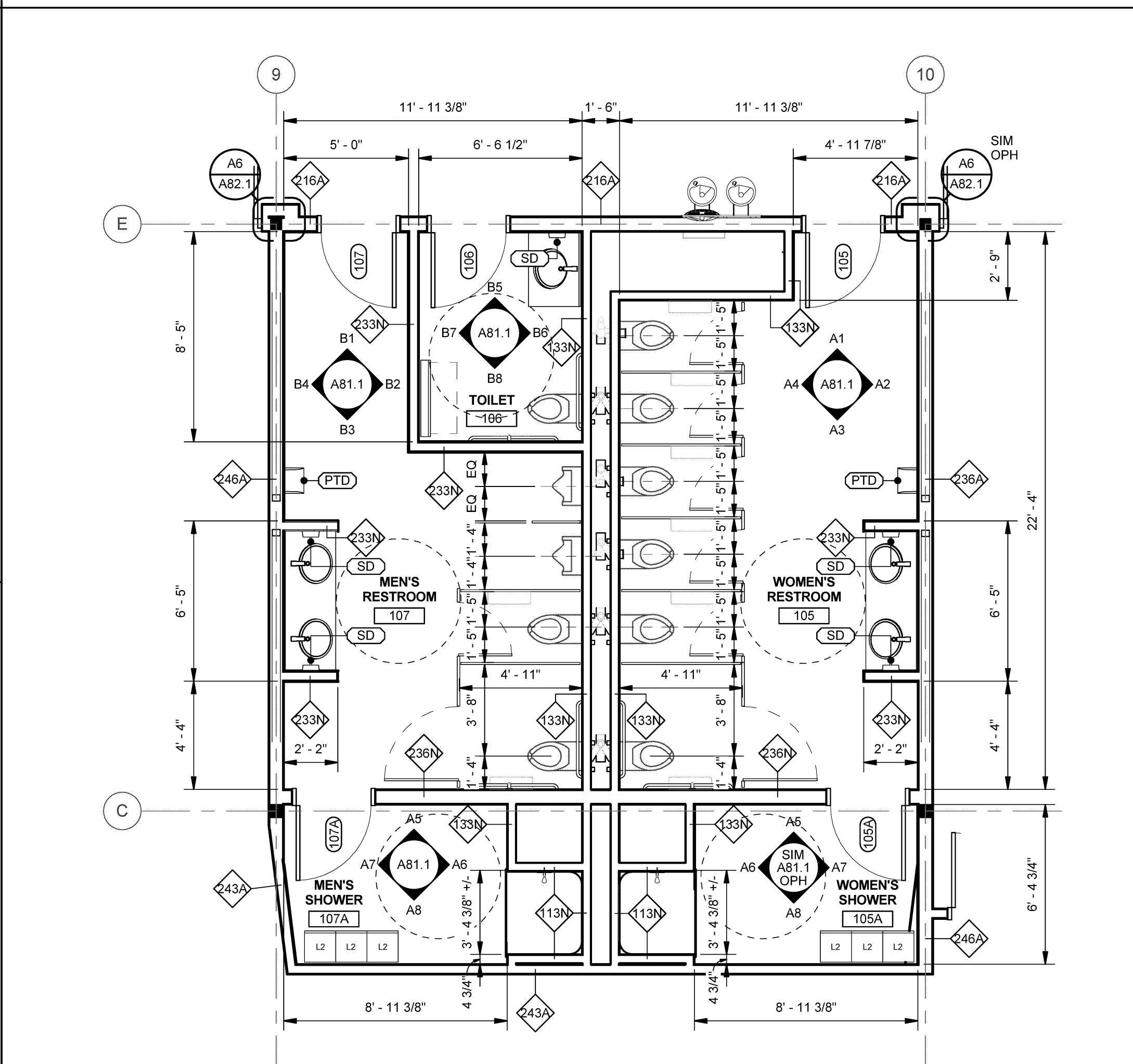
D2 TOILET ROOMS 146 AND 148 SCALE: 1/4" = 1'-0"



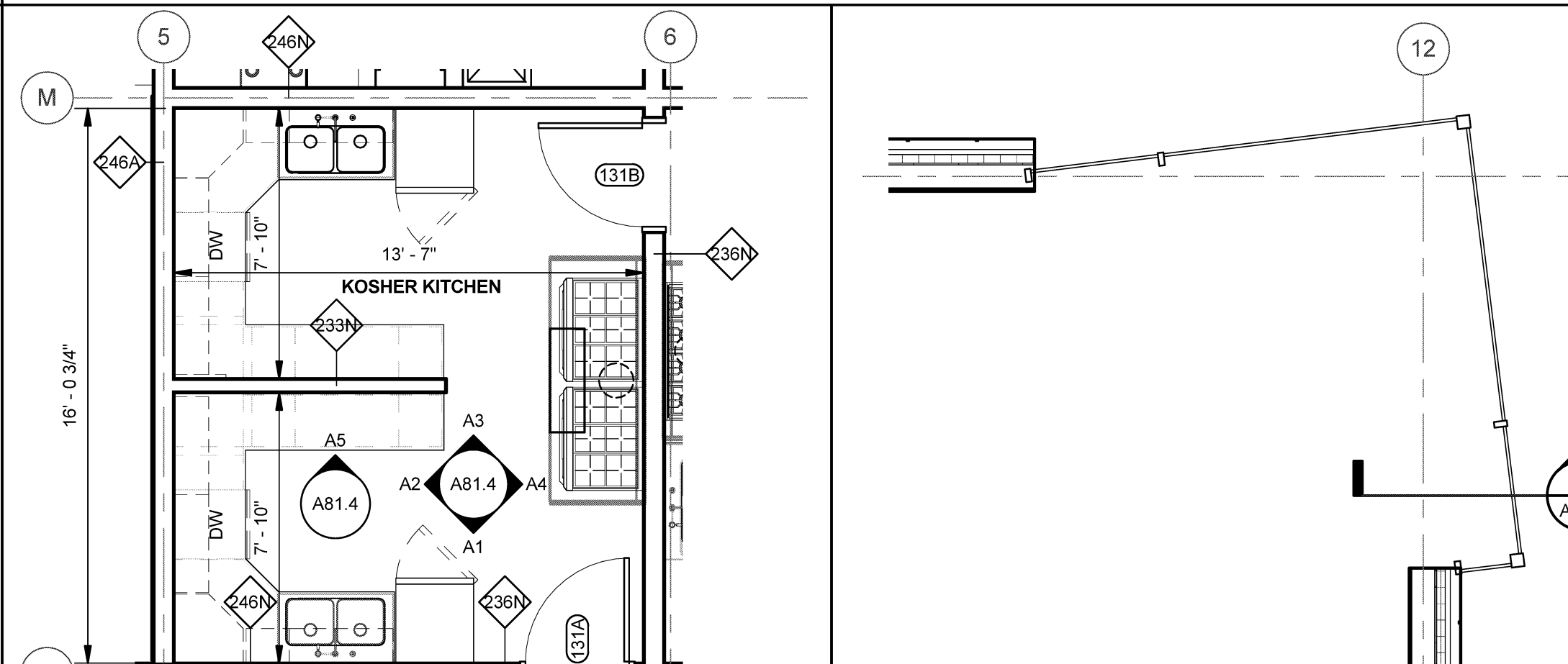
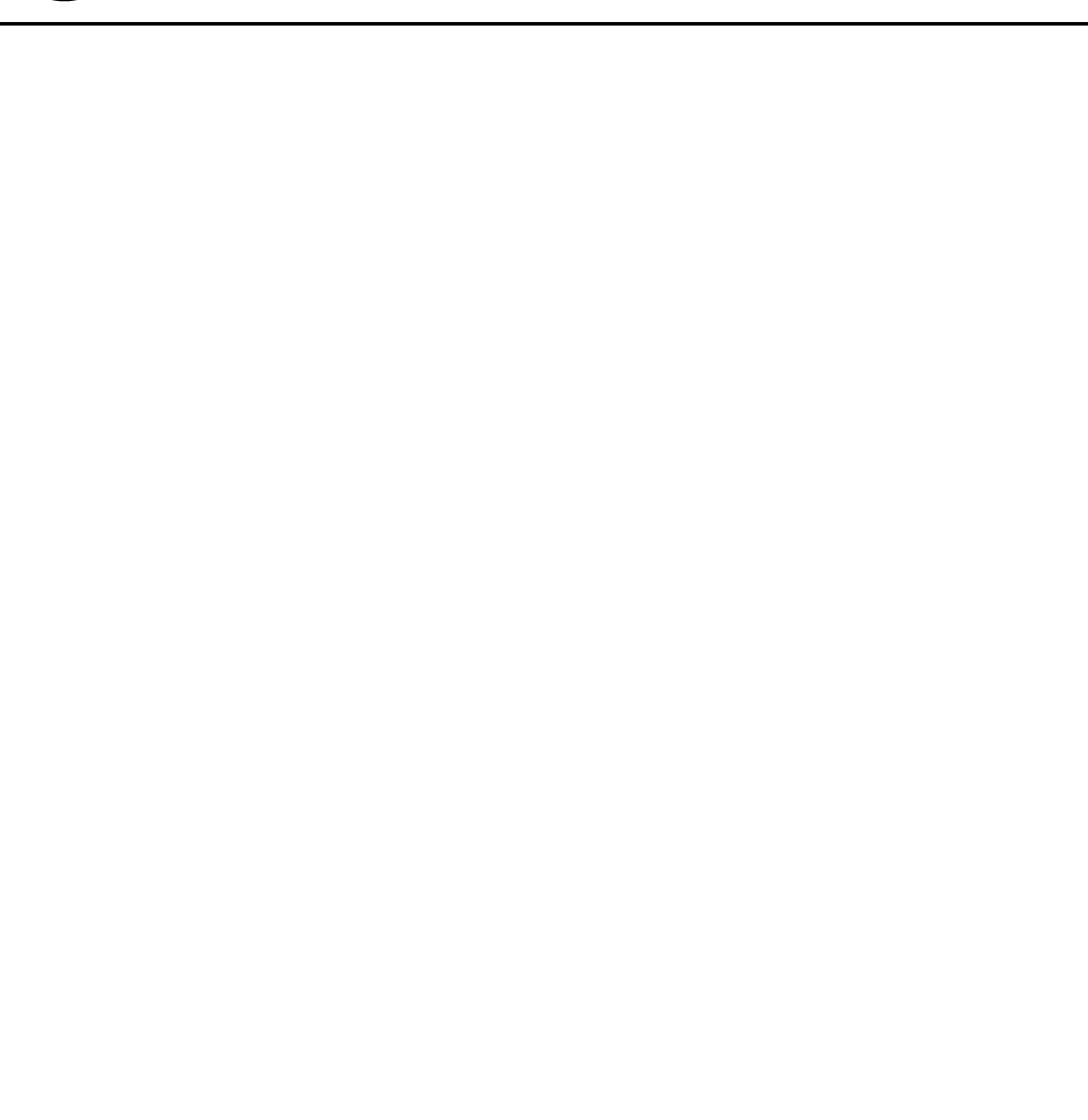
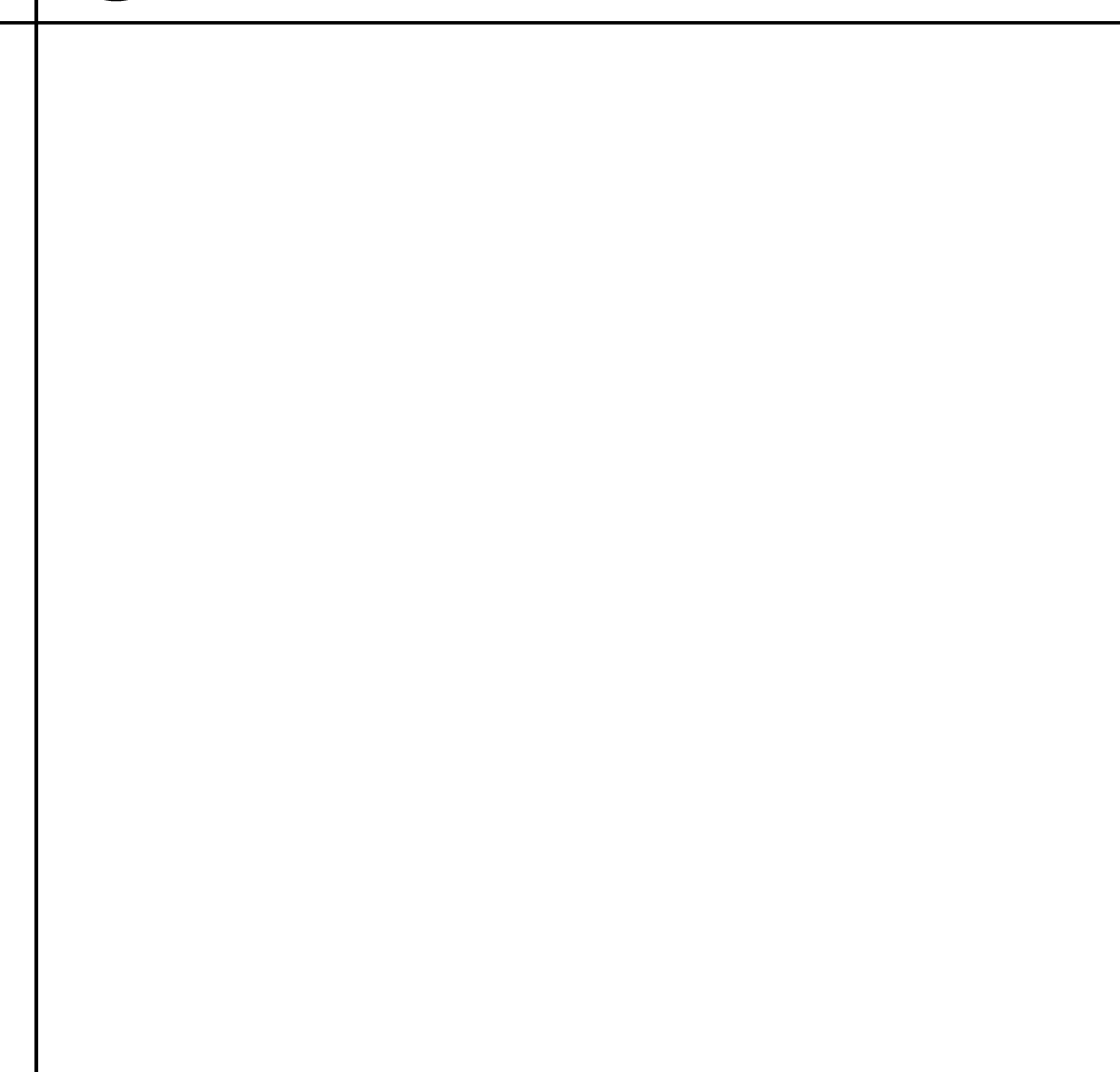
D3 TOILET ROOMS 142 AND 144 SCALE: 1/4" = 1'-0"



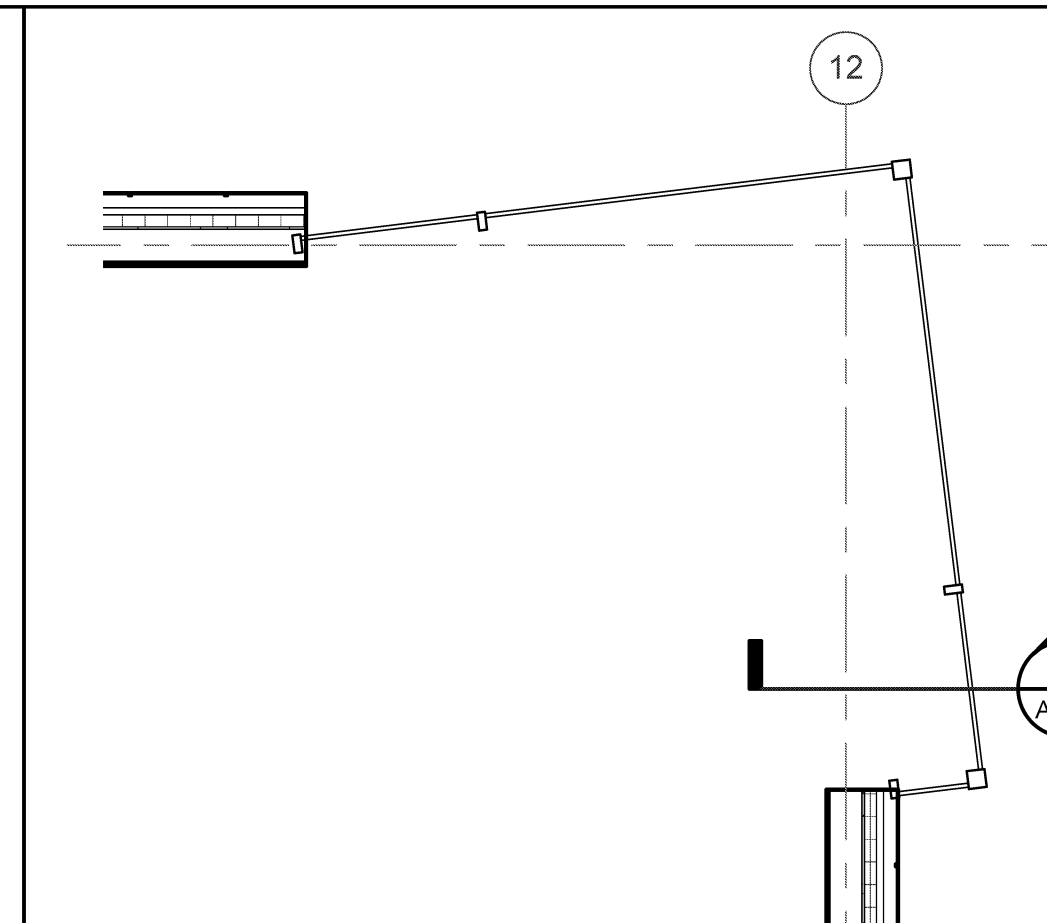
D4 TOILET ROOM 122 SCALE: 1/4" = 1'-0"



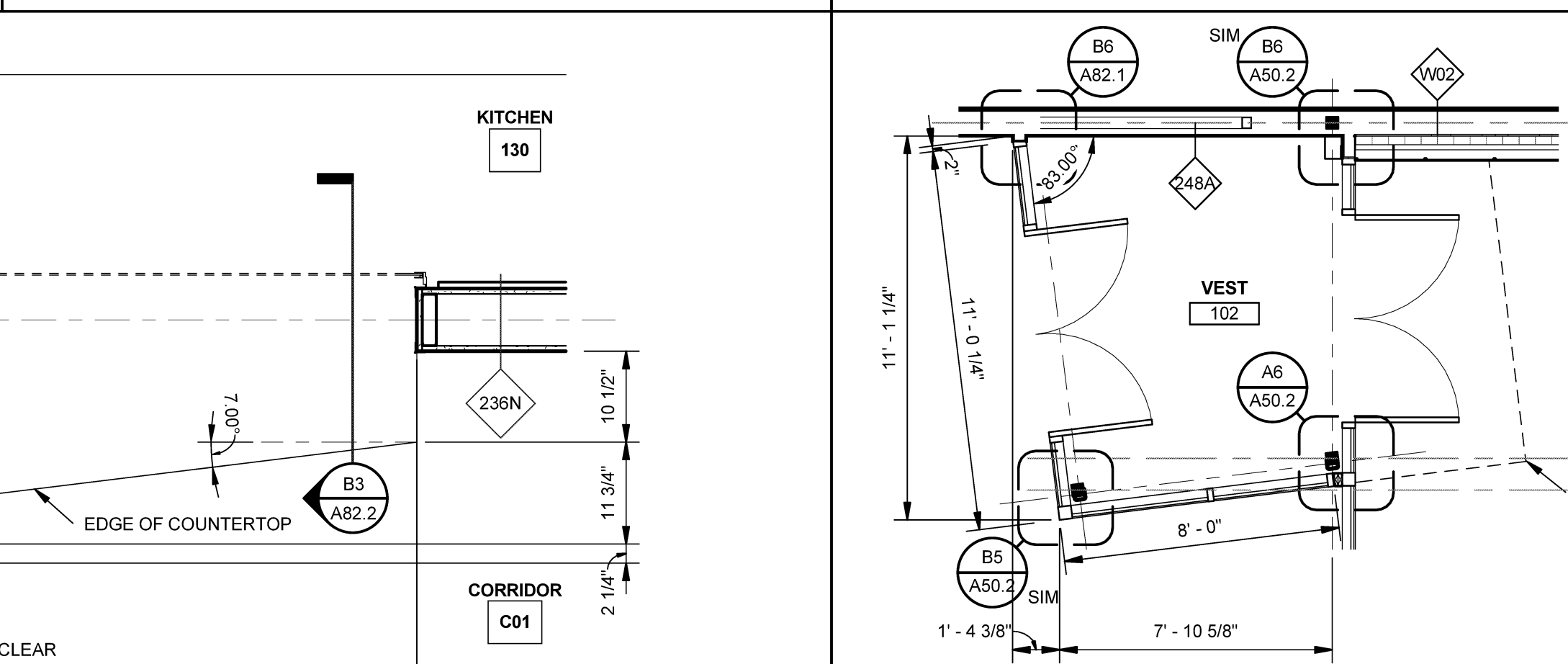
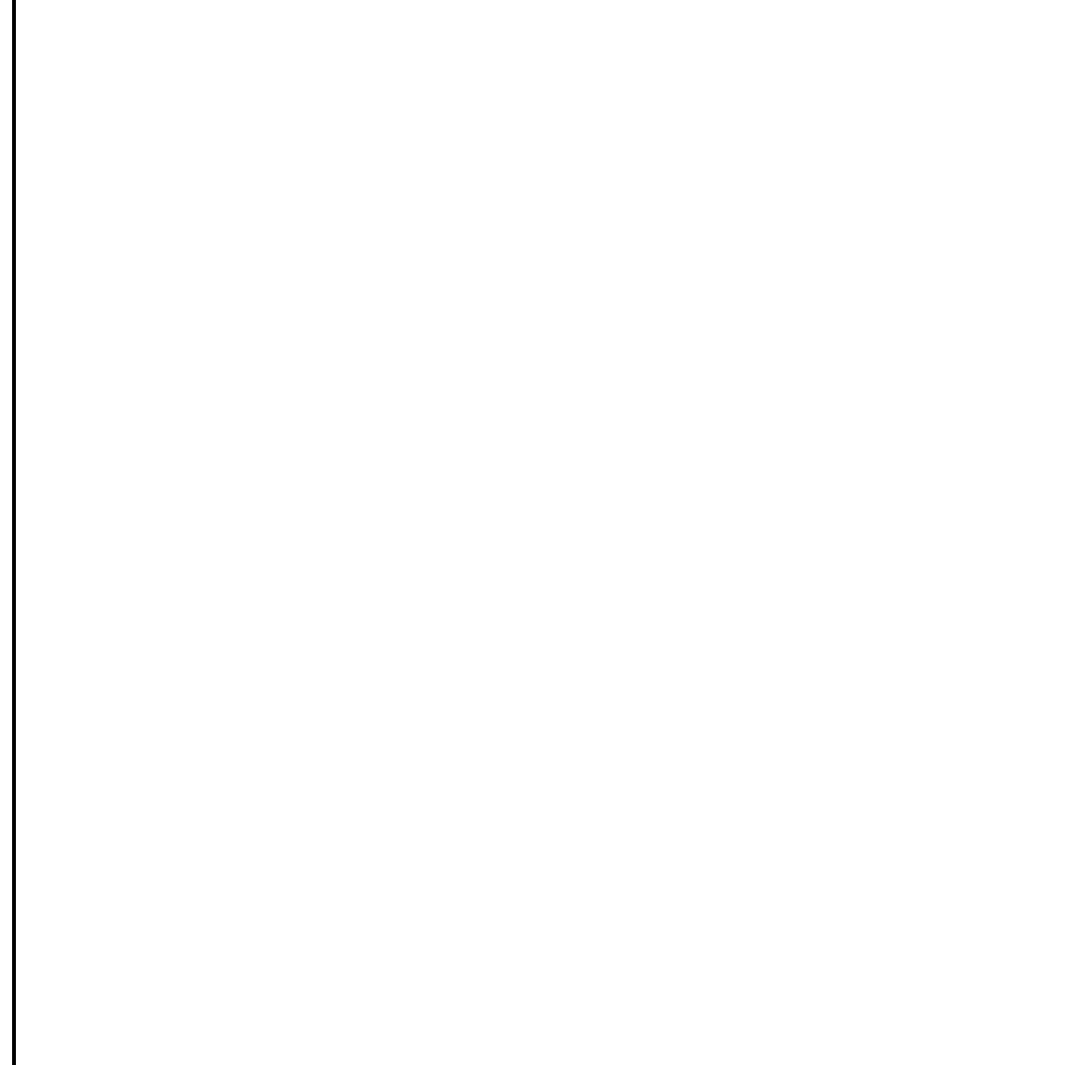
C5 TOILET ROOMS 105 AND 107 SCALE: 1/4" = 1'-0"



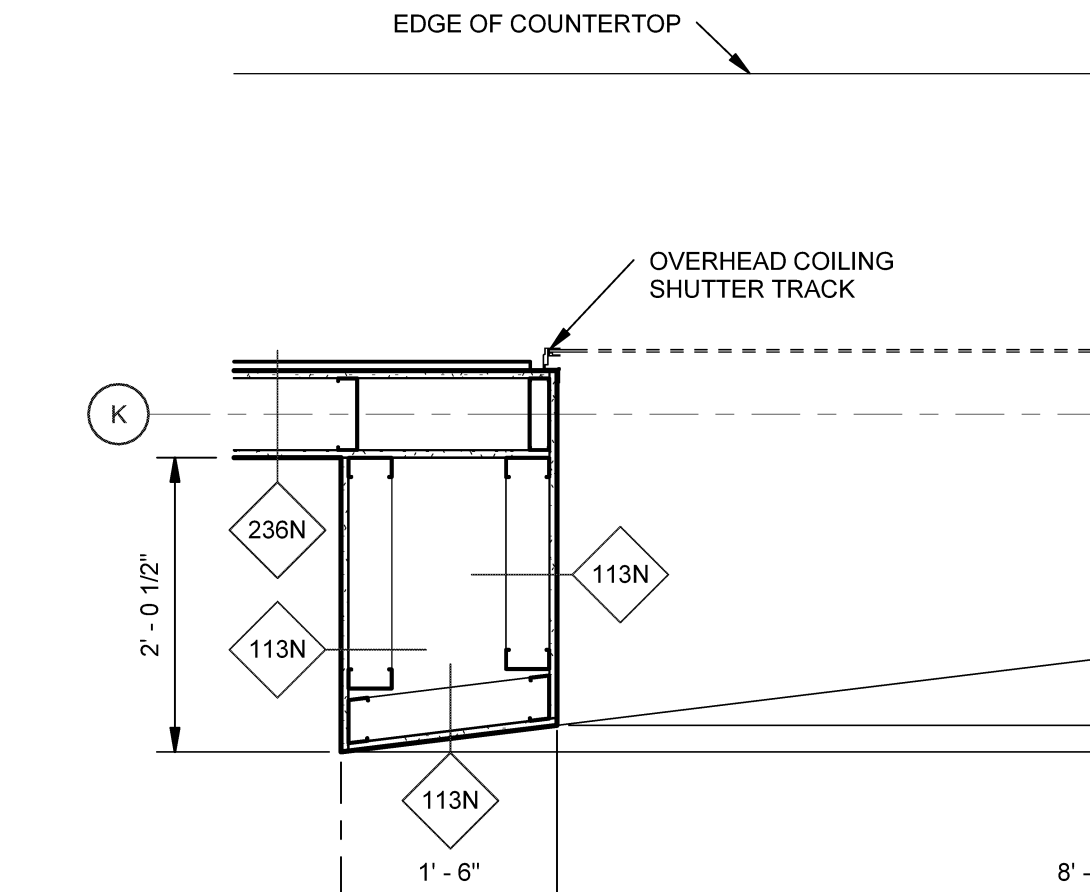
B5 KOSHER KITCHEN ENLARGED PLAN SCALE: 1/4" = 1'-0"



B6 PLAN SECTION AT COLUMN R12 SCALE: 1/4" = 1'-0"



A6 VESTIBULE 102 SCALE: 1/4" = 1'-0"



A4 PLAN DETAIL AT SERVING WINDOW SCALE: 3/4" = 1'-0"