

DISPLAY THIS CARD ON PRINCIPAL FRONTAGE OF WORK



# CITY OF PORTLAND BUILDING PERMIT



**This is to certify that**

EYE VENTURE ASSOCIATES /Air Temp

**Located at**

53 SEWALL ST

**PERMIT ID:** 2013-00136

**CBL:** 190 D009001

has permission to **Install Viessman 220-W boiler.**

provided that the person or persons, firm or corporation accepting this permit shall comply with all of the provisions of the Statues of Maine and of the Ordinances of the City of Portland regulating the construction, maintenance and use of the buildings and structures, and of the application on file in the department.

Notification of inspection and written permission procured before this building or part thereof is lathed or otherwise cloed-in. 48 HOUR NOTICE IS REQUIRED.

A final inspection must be completed by owner before this building or part thereof is occupied. If a certificate of occupancy is required, it must be procured prior to occupancy.

**Fire Prevention Officer**

**Code Enforcement Officer / Plan Reviewer**

A handwritten signature in black ink, reading 'Jamie Bouke', written over a horizontal line.

**THIS CARD MUST BE POSTED ON THE STREET SIDE OF THE PROPERTY  
THERE IS A PENALTY FOR REMOVING THIS CARD**

**PERMIT ID:** 2013-00136

**Located at:** 53 SEWALL ST

**CBL:** 190 D009001

**City of Portland, Maine - Building or Use Permit Application**

389 Congress Street, 04101 Tel: (207) 874-8703, Fax: (207) 874-8716

Permit No: 2013-00136	Issue Date:	CBL: 190 D009001
--------------------------	-------------	---------------------

<b>Location of Construction:</b> 53 SEWALL ST	<b>Owner Name:</b> EYE VENTURE ASSOCIATES	<b>Owner Address:</b> 53 SEWALL ST PORTLAND, ME 04102	<b>Phone:</b>
<b>Business Name:</b> Eye Care Medical Group	<b>Contractor Name:</b> Air Temp	<b>Contractor Address:</b> 11 Wallace Ave South Portland ME 04106	<b>Phone:</b> (207) 774-2300
<b>Lessee/Buyer's Name</b>	<b>Phone:</b>	<b>Permit Type:</b> HVAC	<b>Zone:</b> RP
<b>Past Use:</b> Professional Medical Offices for Eye Care	<b>Proposed Use:</b> Professional Medical Offices for Eye Care	<b>Permit Fee:</b> \$170.00	<b>Cost of Work:</b> \$15,000.00
		<b>FIRE DEPT:</b> <input checked="" type="checkbox"/> Approved <input type="checkbox"/> Denied <input type="checkbox"/> N/A 2/25/13	<b>INSPECTION:</b> Use Group: B Type: HVAC MURTEC 2009 Signature: JMB 2/20/13
<b>Proposed Project Description:</b> Install Viessman 220-W boiler.		<b>Signature:</b> [Signature] (50)	
<b>PEDESTRIAN ACTIVITIES DISTRICT (P.A.D.)</b>			
Action: <input type="checkbox"/> Approved <input type="checkbox"/> Approved w/Conditions <input type="checkbox"/> Denied			
Signature:		Date:	

<b>Permit Taken By:</b> bjs	<b>Date Applied For:</b> 01/23/2013	<b>Zoning Approval</b>	
--------------------------------	--	------------------------	--

<p>1. This permit application does not preclude the Applicant(s) from meeting applicable State and Federal Rules.</p> <p>2. Building permits do not include plumbing, septic or electrical work.</p> <p>3. Building permits are void if work is not started within six (6) months of the date of issuance. False information may invalidate a building permit and stop all work..</p>	<p><b>Special Zone or Reviews</b></p> <p><input type="checkbox"/> Shoreland</p> <p><input type="checkbox"/> Wetland</p> <p><input type="checkbox"/> Flood Zone</p> <p><input type="checkbox"/> Subdivision</p> <p><input type="checkbox"/> Site Plan</p> <p>Maj <input type="checkbox"/> Minor <input type="checkbox"/> MM <input type="checkbox"/></p> <p>Date: 1/23/13</p>	<p><b>Zoning Appeal</b></p> <p><input type="checkbox"/> Variance</p> <p><input type="checkbox"/> Miscellaneous</p> <p><input type="checkbox"/> Conditional Use</p> <p><input type="checkbox"/> Interpretation</p> <p><input type="checkbox"/> Approved</p> <p><input type="checkbox"/> Denied</p> <p>Date:</p>	<p><b>Historic Preservation</b></p> <p><input checked="" type="checkbox"/> Not in District or Landmark</p> <p><input type="checkbox"/> Does Not Require Review</p> <p><input type="checkbox"/> Requires Review</p> <p><input type="checkbox"/> Approved</p> <p><input type="checkbox"/> Approved w/Conditions</p> <p><input type="checkbox"/> Denied</p> <p>Date:</p>
---	--	--	---

**CERTIFICATION**

I hereby certify that I am the owner of record of the named property, or that the proposed work is authorized by the owner of record and that I have been authorized by the owner to make this application as his authorized agent and I agree to conform to all applicable laws of this jurisdiction. In addition, if a permit for work described in the application is issued, I certify that the code official's authorized representative shall have the authority to enter all areas covered by such permit at any reasonable hour to enforce the provision of the code(s) applicable to such permit.

SIGNATURE OF APPLICANT	ADDRESS	DATE	PHONE
RESPONSIBLE PERSON IN CHARGE OF WORK, TITLE		DATE	PHONE

**City of Portland, Maine - Building or Use Permit**

389 Congress Street, 04101 Tel: (207) 874-8703, Fax: (207) 874-8716

<b>Permit No:</b> 2013-00136	<b>Date Applied For:</b> 01/23/2013	<b>CBL:</b> 190 D009001
---------------------------------	--	----------------------------

<b>Location of Construction:</b> 53 SEWALL ST	<b>Owner Name:</b> EYE VENTURE ASSOCIATES	<b>Owner Address:</b> 53 SEWALL ST	<b>Phone:</b>
<b>Business Name:</b> Eye Care Medical Group	<b>Contractor Name:</b> Air Temp	<b>Contractor Address:</b> 11 Wallace Ave South Portland	<b>Phone:</b> (207) 774-2300
<b>Lessee/Buyer's Name</b>	<b>Phone:</b>	<b>Permit Type:</b> HVAC	

<b>Proposed Use:</b> Professional Medical Offices for Eye Care	<b>Proposed Project Description:</b> Install Viessman 220-W boiler.
---	--

**Dept:** Zoning      **Status:** Approved      **Reviewer:** Marge Schmuckal      **Approval Date:** 01/23/2013  
**Note:**      **Ok to Issue:**

**Dept:** Building      **Status:** Approved w/Conditions      **Reviewer:** Jeanie Bourke      **Approval Date:** 02/20/2013  
**Note:**      **Ok to Issue:**

- 1) The appliance and venting shall be installed in accordance with the UL listing, manufacturer's specifications, IRC or IBC 2009 and NFPA 211
- 2) Any modifications to existing building systems and all new systems (HVAC, electrical, plumbing) shall meet IECC 2009 or ASHRAE 90.1-2007 requirements for energy code compliance.
- 3) The installation must comply with the State of Maine Gas Regulations.

**Dept:** Fire      **Status:** Approved w/Conditions      **Reviewer:** Ben Wallace Jr      **Approval Date:** 02/25/2013  
**Note:**      **Ok to Issue:**

- 1) Installation shall comply with NFPA 211, Standard for Chimneys, Fireplaces, Vents, and Solid Fuel-Burning Appliances; NFPA 54, National Fuel Gas Code; NFPA 90A, Standard for the Installation of Air-Conditioning and Ventilating Systems; NFPA 91, Standard for Exhaust Systems for Air Conveying Vapors, Gases, Mists, and Noncombustible Particulate Solids; NFPA 70, National Electrical Code; and the manufacturer's published instructions.
- 2) Fuel-fired boilers shall be protected in accordance with NFPA 101, Life Safety Code.
- 3) Installation shall comply with City Code Chapter 10.

**BUILDING PERMIT INSPECTION PROCEDURES**  
Please call 874-8703 (ONLY)  
or email: [buildinginspections@portlandmaine.gov](mailto:buildinginspections@portlandmaine.gov)

With the issuance of this permit, the owner, builder or their designee is required to provide adequate notice to the city of Portland Inspections Services for the following inspections. Appointments must be requested 48 to 72 hours in advance of the required inspection. The inspection date will need to be confirmed by this office.

- **Please read the conditions of approval that is attached to this permit!! Contact this office if you have any questions.**
- **Permits expire in 6 months. If the project is not started or ceases for 6 months.**
- **If the inspection requirements are not followed as stated below additional fees may be incurred due to the issuance of a "Stop Work Order" and subsequent release to continue.**

**REQUIRED INSPECTIONS:**

Final Inspection

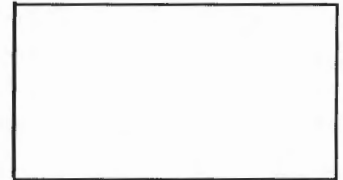
The project cannot move to the next phase prior to the required inspection and approval to continue, REGARDLESS OF THE NOTICE OF CIRCUMSTANCES.

IF THE PERMIT REQUIRES A CERTIFICATE OF OCCUPANCY, IT MUST BE PAID FOR AND ISSUED TO THE OWNER OR DESIGNEE BEFORE THE SPACE MAY BE OCCUPIED.



FILL IN AND Sign WITH INK

# APPLICATION FOR PERMIT HEATING OR POWER EQUIPMENT



To the INSPECTOR OF BUILDINGS, PORTLAND, ME.

The undersigned hereby applies for a permit to install the following heating, cooking or power equipment in accordance with the Laws of Maine, the Building Code of the City of Portland, and the following specifications:

Location / CBL 190 D009001 53 Sewall Use of Building Medical Date 1/7/13  
 Name and address of owner of appliance Eye Venture Assoc.  
53 Sewall St. Portland  
 Installer's name and address Attemp U Wallace Ave  
S. Portland ME 04106 Telephone 207-774-2300

Location of appliance:  
 Basement       Floor  
 Attic             Roof  
Wall of boiler room

Type of Fuel:  
 Gas       Oil       Solid

Appliance Name: Viessman 220-W  
 U.L. Approved  Yes  No

Will appliance be installed in accordance with the manufacture's installation instructions?  Yes  No

IF NO Explain: \_\_\_\_\_

Type of Chimney:  
 Masonry Lined  
 Factory built

Metal  
 Factory Built U.L. Listing # \_\_\_\_\_

Direct Vent  
 Type Dura Vent UL# 1738

Type of Fuel Tank RECEIVED  
 Oil  
 Gas JAN 23 2013

SeofTank Dept. of Building Inspections  
City of Portland Maine

The Type of License of Installer:  
 Master Plumber # \_\_\_\_\_  
 Solid Fuel# \_\_\_\_\_  
 Oil# \_\_\_\_\_  
 Gas# PNT 1199  
 Other- \_\_\_\_\_

Number of Tanks \_\_\_\_\_

Distance from Tank to Center of Flame \_\_\_\_\_ feet.

Cost of Work: \$14,400. ~~15000~~  
 Permit Fee: \$ 170.00 170.00

Fire: \_\_\_\_\_ Approved Approved with Conditions  
 See attached letter or requirement

Ele.: \_\_\_\_\_

Bldg.: \_\_\_\_\_

Inspector's Signature \_\_\_\_\_ Date Approved \_\_\_\_\_

Signature of Installer [Signature]

White - Inspection    Yellow - File    Pink - Applicant's    Gold - Assessor's Copy

## Product Submittal



**Project:** Eye Care Center-Allied Engineering Tony Davis

**Location:** South Portland Maine

### Index:

▶ **Boilers and Burners**

Vitodens 200-W, WB2B-105 Wall-Mounted Gas-Fired Condensing Boiler (Qty. of 3)

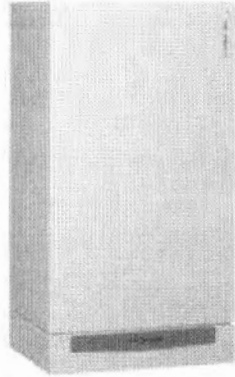
▶ **Boiler Controls**

Vitocontrol-S, WB2B Digital Cascade Control (Qty. of 1)

▶ **DHW Tanks**

Vitocell-V 300, EVI-300 Stainless Steel DHW Tank (Qty. of 1)




## Boiler Data



### VITODENS 200-W

#### WB2B Series

Full product manuals:

-  Technical Data Manual
-  Installation Instructions
-  Operating Instructions
-  Service Instructions

#### 1.0 Technical Data for WB2B-105

##### Natural gas / Propane

– CSA input <sup>*A</sup>	104 - 370 MBH	30 - 108 kW
– CSA output / DOE heating capacity <sup>*1</sup>	98 - 350 MBH	29 - 103 kW

Net I=B=R rating <sup>\*2</sup> 304 MBH

CSA thermal efficiency ANSI Z21.13/CSA 4.9 94.5 %

Heat exchanger surface area 28.88 sq. ft. 2.68 sq. m

##### Min. gas supply pressure

Natural gas	4 "w.c.	996 Pa
Propane gas	10 "w.c.	2491 Pa

##### Max. gas supply pressure <sup>\*3</sup>

Natural gas and propane 14 "w.c. 3487 Pa

Weight 225 lbs 102 kg

Boiler water content 3.4 USG 12.8 L

Boiler max. flow rate <sup>\*4</sup> 35.2 GPM 8000 L/h

Max. operating pressure at 210°F / 99°C 60 psig 4 bar

##### Boiler water temperature

###### – Adjustable high limit (AHL) range

– space heating (steady state)	68 to 176 °F	20 to 80 °C
– DHW production	176 °F	80 °C
– Fixed high limit (FHL)	210 °F	99 °C

##### Boiler connections

Boiler heating supply and return	1½ inch	NPTM
Pressure relief valve	¾ inch	NPTF
Drain valve	¾ inch	Male thread
Boiler supply/return for indirect-fired DHW storage tank (field supplied)	1½ inch	NPT
Gas valve connection	1 inch	NPTF
Condensate connection (hose/nozzle diameter) <sup>*5</sup>	1 inch	
Boiler flue gas connection (diameter) <sup>*6</sup>	4¾ inches	110 mm
Combustion air supply (coaxial outer diameter) <sup>*6</sup>	6 inches	150 mm

##### Dimensions

Overall depth	21 inches	530 mm
Overall width	19 inches	480 mm
Overall height	33½ inches	850 mm
Height with flue gas elbow (accessory) <sup>*9</sup>	47¾ inches	1200 mm

**Flue gas \*7**

Temperature at boiler return temp. of 86°F / 30°C

– At rated full load 104 °F 40 °C

– At rated partial load 95 °F 35 °C

Temperature at boiler return temp. of 140°F / 60°C 158 °F 70 °C

**Average condensate flow rate with natural gas \*8**

– At supply/return temp. of 104/86°F (40/30°C) 9.5 - 10.5 USG/day 35 - 40 L/day

**Electrical ratings – main power supply**

Voltage 120 VAC

Phase Single phase

Frequency 60 Hz

Current &lt; 12 Amps

**Notes:**

\*1 Output based on 140°F / 60°C, 120°F / 49°C system supply/return temperature.

\*2 Net I=B=R rating based on piping and pick-up allowance of 1.15.

\*3 If the gas supply pressure exceeds the maximum gas supply pressure value, a separate gas pressure regulator must be installed upstream of the heating system.

\*4 See "Typical System Flow Rates" on page 11 of the Technical Data Manual.

\*5 Requires 1" / 25 mm tubing. See the Installation Instructions of the Vitodens 200-W, WB2B for details.

\*6 **For side wall vent installations (coaxial system):** Do not exceed max. equivalent length specified in the Installation Instructions of the Vitodens 200-W, WB2B Venting System. A **maximum** of 5 elbows may be installed in the vent system. Do not attempt to common-vent Vitodens 200-W with any other appliance. Venting material to be supplied by Viessmann **only**; side wall vent installation **must** include Viessmann protective screen!

\*7 Measured flue gas temperature with a combustion air temperature of 68°F / 20°C.

\*8 Based on typical boiler cycles, including partial load conditions.

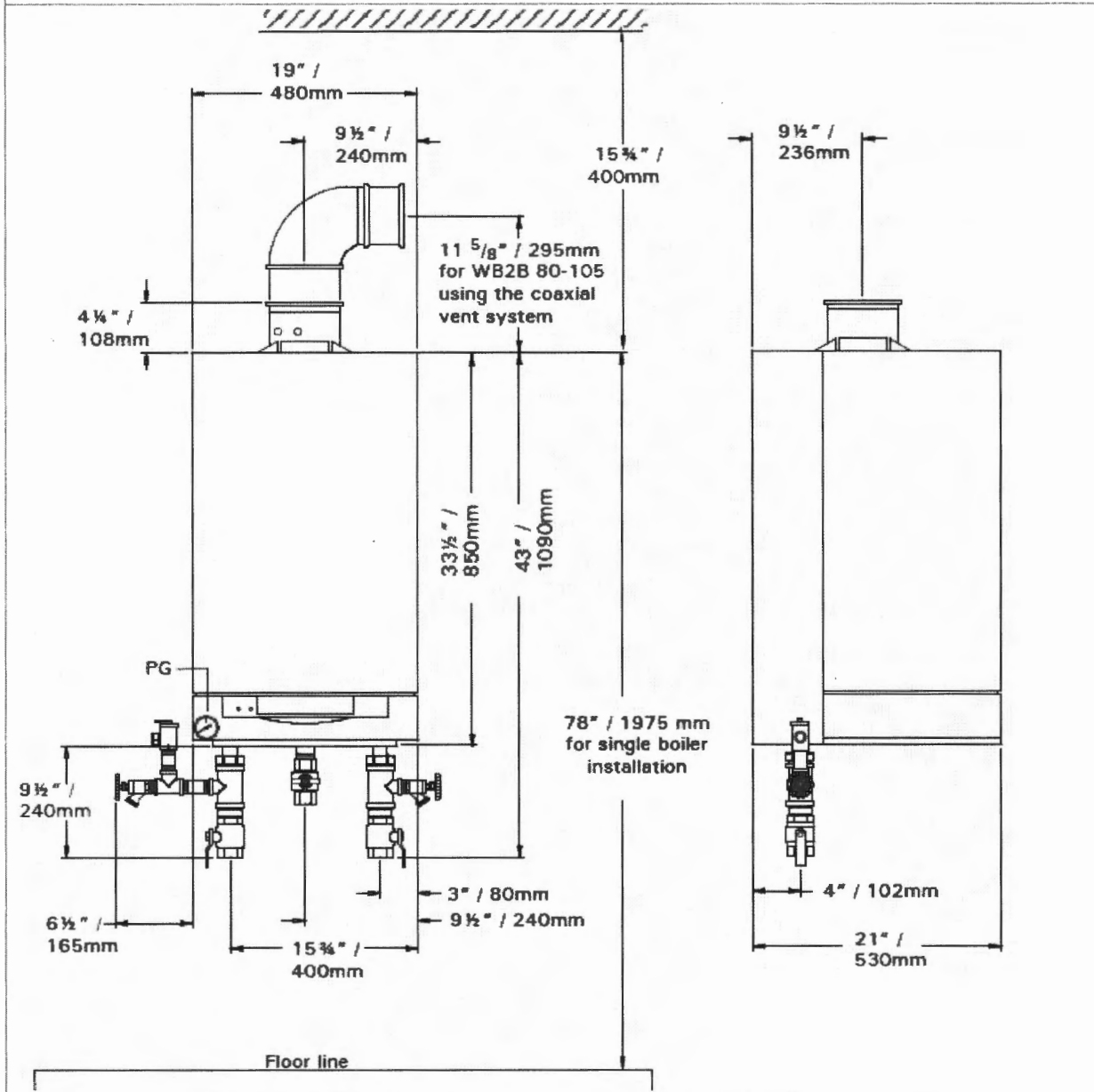
\*9 Add 2½" / 65 mm for coaxial vent pipe transition adaptor.

\*A For high altitude installations (5,000 - 10,000 ft.), the input for model WB2B 105 will have an altitude deration of 14% for 5,000 ft. and 28% for 10,000 ft. (average of 2.8% / 1,000 ft.).



# 1.1 Dimensional Drawings

## Boiler Front and Side Views



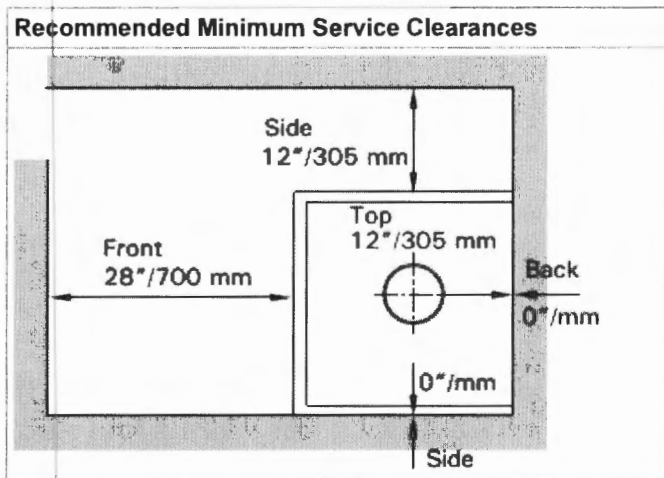
## 1.2 Minimum Clearances

Clearances to Combustibles	
Top	0" / 0 mm
Front	0" / 0 mm for alcove or closet installations
Rear	0" / 0 mm
Sides	0" / 0 mm
Vent pipe *1	0" / 0 mm

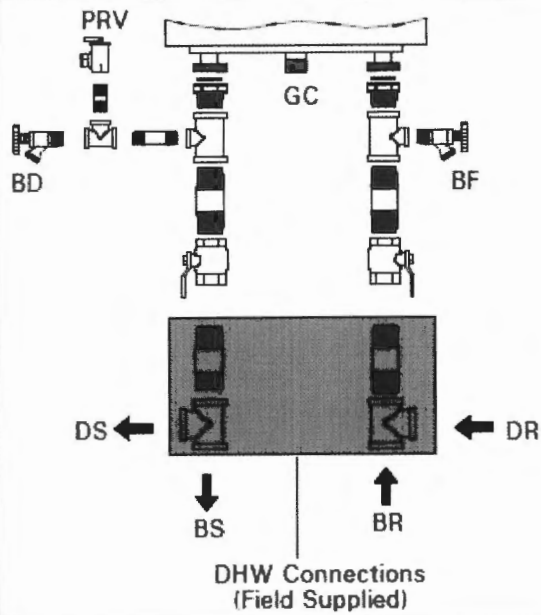
**Notes:**

\*1 Refer to the Installation Instructions of the Vitodens 200-W WB2B Venting System for details.

The Vitodens 200-W boiler has passed the zero inches vent clearance to combustibles testing requirements dictated by the Harmonized Standard ANSI Z21.13, CSA 4.9.2000 and therefore is listed for zero clearance to combustibles when vented with a single wall special venting system (AL-29-4C material). The zero inches vent clearance to combustibles for the Vitodens 200-W boiler supercedes the clearance to combustibles listing that appears on the special venting system label.



### Piping Connections

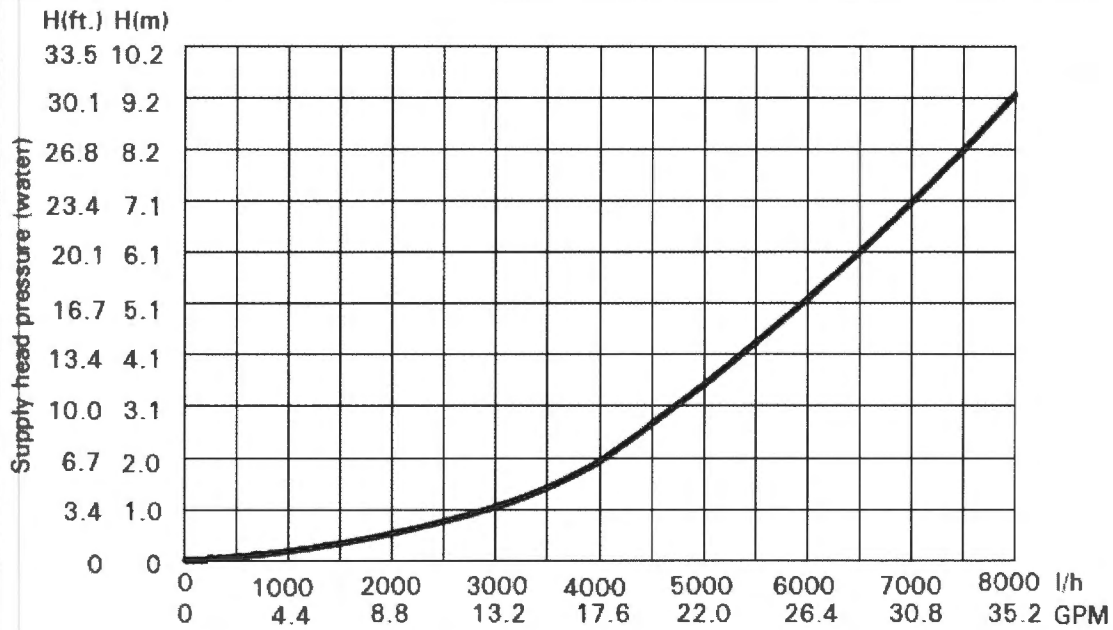


#### Legend

BD	Boiler drain
BF	Boiler fill
BR	Boiler return
BS	Boiler supply
GC	Gas connection, 1" NPT
PG	Pressure gage
PRV	Pressure relief valve
DR	Boiler heating return for domestic hot water production, 1½"
DS	Boiler heating supply for DHW production, 1½"

### 1.3 Waterside Flow (Primary Circuit)

#### Pressure Drop and Flow Rates

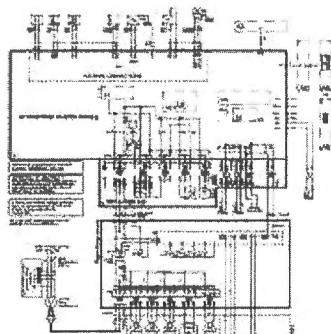


For sizing an on-site circulation system. Maximum flow rate: 8000 L/h / 35.2 GPM

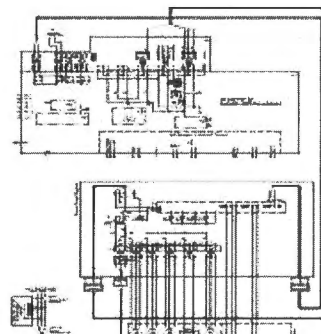
Use standard friction loss method for pipe sizing. Observe boiler maximum and minimum flow rate limitations. If system flow rate exceeds boiler maximum flow rate (as stated above), falls below the minimum flow rate or if system flow rate is unknown, Viessmann strongly recommends the installation of a low-loss header. An alternative method may be used, such as primary secondary piping using closely spaced tees. A low-loss header offers additional benefits not provided by a pair of closely spaced tees. Viessmann therefore strongly recommends and prefers the use of a low-loss header over closely spaced tees.

### 1.4 Wiring Diagrams

#### Complete System Diagram, and Connections Overview between Power/Pump Module and Boiler



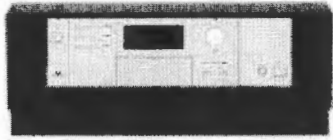
[View full-sized PDF drawing](#)



[View full-sized PDF drawing](#)

## Control Data

---



### VITOCONTROL-5, WB2B

#### MW2 Series

Full product manuals:



Installation and Service Instructions



Operating Instructions

### 1.0 Product Description

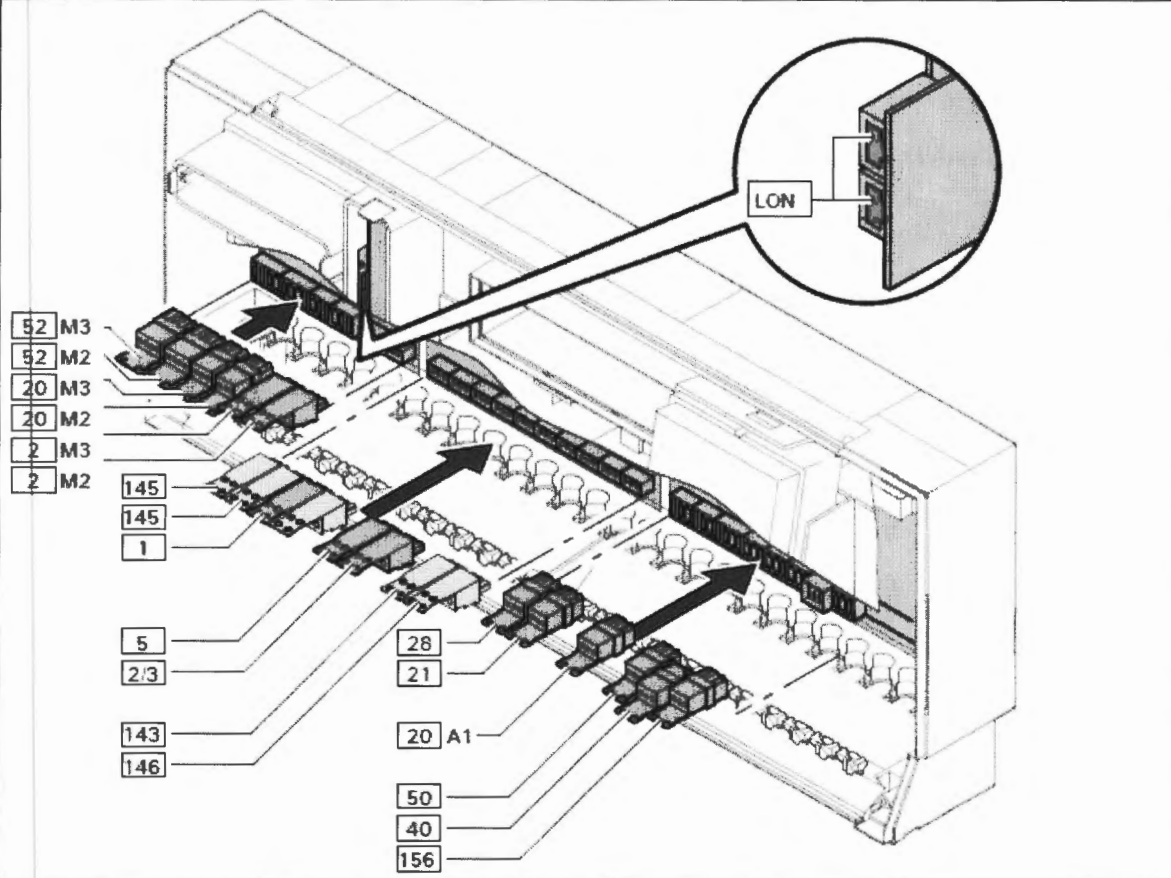
Digital cascade control with outdoor-reset logic for use in multi-boiler systems in conjunction with Vitotronic 100 HC1.

### 1.1 Technical Data

Rated voltage	120 VAC
Rated frequency	60 Hz
Rated current	6 A ~
Power consumption	10 W
Safety class	I
Protection	IP 20 D to EN 60529, safeguard through design and installation
Function	Type 1B to EN 60730-1
<b>Permissible ambient temperature</b>	
– During operation	32 to 104°F
Installation in living accommodation and boiler rooms (normal ambient conditions)	0 to 40°C
– During storage and transport	-4 to 149°F -20 to 65°C

## 1.2 Control Diagrams

### Summary of Electrical Connections



#### Mixing Valve Extension Circuit Board

2 M2/M3	Supply temperature sensor
20 M2/M3	Heating circuit pump
52 M2/M3	Mixing valve actuator

#### Low Voltage Motherboard

1	Outdoor temperature sensor
2	Common supply temperature sensor
5	DHW tank temperature sensor
143	External connection
145	Connection to Vitotronic 100 (KMK Module) and Vitotrol remote control
146	Connection for external demand

LON	LON BUS, interconnecting cable for data transfer between Vitocontrol-S and Vitotronic 050 or Vitocom 300
-----	--

#### Line Voltage Motherboard

20	Heating circuit pump (high temperature space heating)
21	DHW pump
28	DHW re-circulation pump
40	Power supply connection
50	Compiled failure alarm
156	Internal power supply for mixing valve extension circuit board and connections for accessories

## Domestic Hot Water Storage Tank Data



### VITOCELL-V 300

#### EVI Series

Full product manuals:

-  Technical Data Manual
-  Installation Instructions
-  Operating Instructions
-  Service Instructions

### 1.0 Product Description

Vertical indirect-fired domestic hot water storage tank of high-grade (SA 240-316 Ti) stainless steel. For domestic hot water heating applications which utilize hot water heating boilers.

Suitable for heating systems with:

- max. working pressure on **heat exchanger side** up to **220 psig** at 392°F / 200°C
- max. working pressure on **DHW water side** of up to **150 psig** at 210°F / 99°C

### 1.1 Technical Data for EVI 79USG / 300L

<b>Storage capacity</b>	79 USG	300 ltr
<b>Recovery rate</b> <sup>*1</sup> with a DHW temperature increase from <b>50 to 140°F</b> ( <b>10 to 60°C</b> ) and a heating water supply temperature of...		
194°F / 90°C	280 MBH 6.2 GPM	82 kW 1410 ltr/h
176°F / 80°C	201 MBH 4.5 GPM	59 kW 1014 ltr/h
158°F / 70°C	140 MBH 3.1 GPM	41 kW 705 ltr/h
<b>Supply flow rate</b> for the recovery rates stated	22.0 GPM	5.0 cubic m/h
<b>Standby losses</b> <sup>*2</sup>	6.8 MBH/24h	
<b>Domestic hot water draw rate</b> Storage tank contents heated to 140°F / 60°C, boiler not reheating		
DHW draw rate	4.0 GPM	15 ltr/min
DHW draw, water with t = 140°F / 60°C (constant)	72 U SG	272 ltr
Percentage tank volume	91 %	
<b>Heat-up time</b> <sup>*3</sup> with heating water supply temperature of...		
194°F / 90°C	15.5 minutes	
176°F / 80°C	21.5 minutes	
158°F / 70°C	32.5 minutes	
<b>Overall dimensions with insulation</b> <sup>*4</sup>		
Overall width	25 inches	633 mm
Overall depth	27¼ inches	704 mm
Overall height	70 inches	1779 mm
Tilt height	71¼ inches	1821 mm
<b>Weight of tank with insulation</b>	220 lbs	100 kg
<b>Heating water content</b> (heat exchanger pipe coil)	2.91 USG	11 ltr
<b>Heat exchanger surface area</b>	16 sq. ft	1.5 sq. m
<b>Connections</b> (diameter)		
Heating water supply/return	1 inch	Male thread

Domestic cold/hot water	1 inch	Male thread
Temperature and pressure relief valve	1 inch	Male thread
Recirculation	1 inch	Male thread

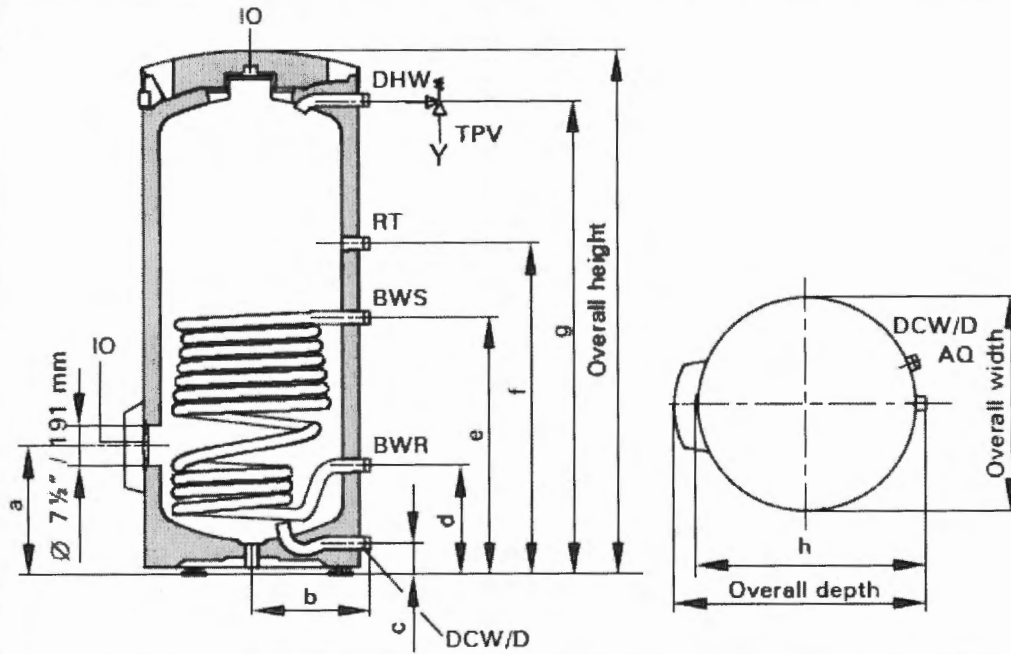
**Notes:**

- \*1 When planning for the recovery rate as stated or calculated, allow for the corresponding circulation pump. The stated recovery rate is only achieved when the rated output of the boiler is equal to or greater than that stated under "Recovery rate".
- \*2 Measured values are based on a room temperature of 68°F / 20°C and a domestic hot water temperature of 149°F / 65°C and can vary by ±5%.
- \*3 The stated heating times are achieved when the maximum recovery rate of the domestic hot water tank is made available at the respective supply temperature and with a domestic hot water rise from 50 to 140°F / 10 to 60°C.
- \*4 For other dimensions, see dimensional drawings below.



## 1.2 Dimensional Drawings

DHW Tank Side and Top Views

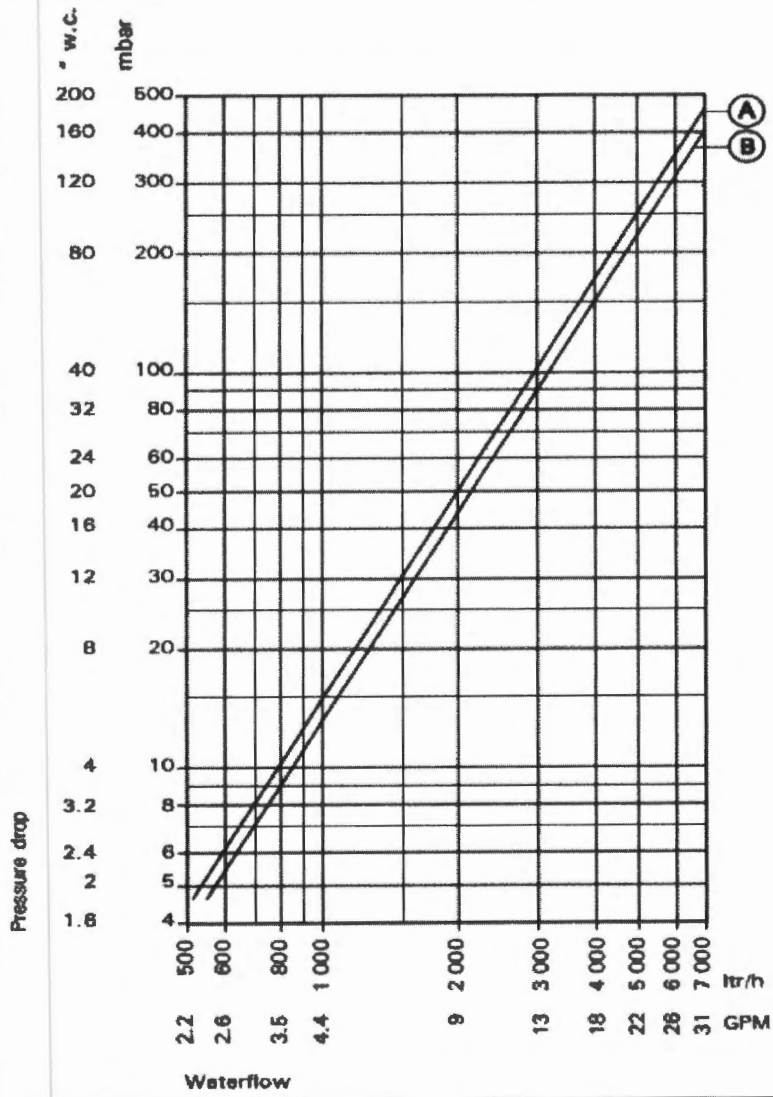


Dimensions		
a	14½"	357 mm
b	13½"	343 mm
c	3½"	87 mm
d	11¼"	301 mm
e	29½"	751 mm
f	37½"	951 mm
g	64½"	1640 mm
h	26¼"	665 mm

Legend	
AQ	Aquastat well
BWR	Boiler water return
BWS	Boiler water supply
D	Drain
DCW	Domestic cold water
DHW	Domestic hot water
IO	Inspection and clean-out opening
RT	Recirculation tapping
TPV	Temperature and pressure relief valve

### 1.3 Pressure Drop

Pressure Drop on Heating Water Side (Primary Circuit)

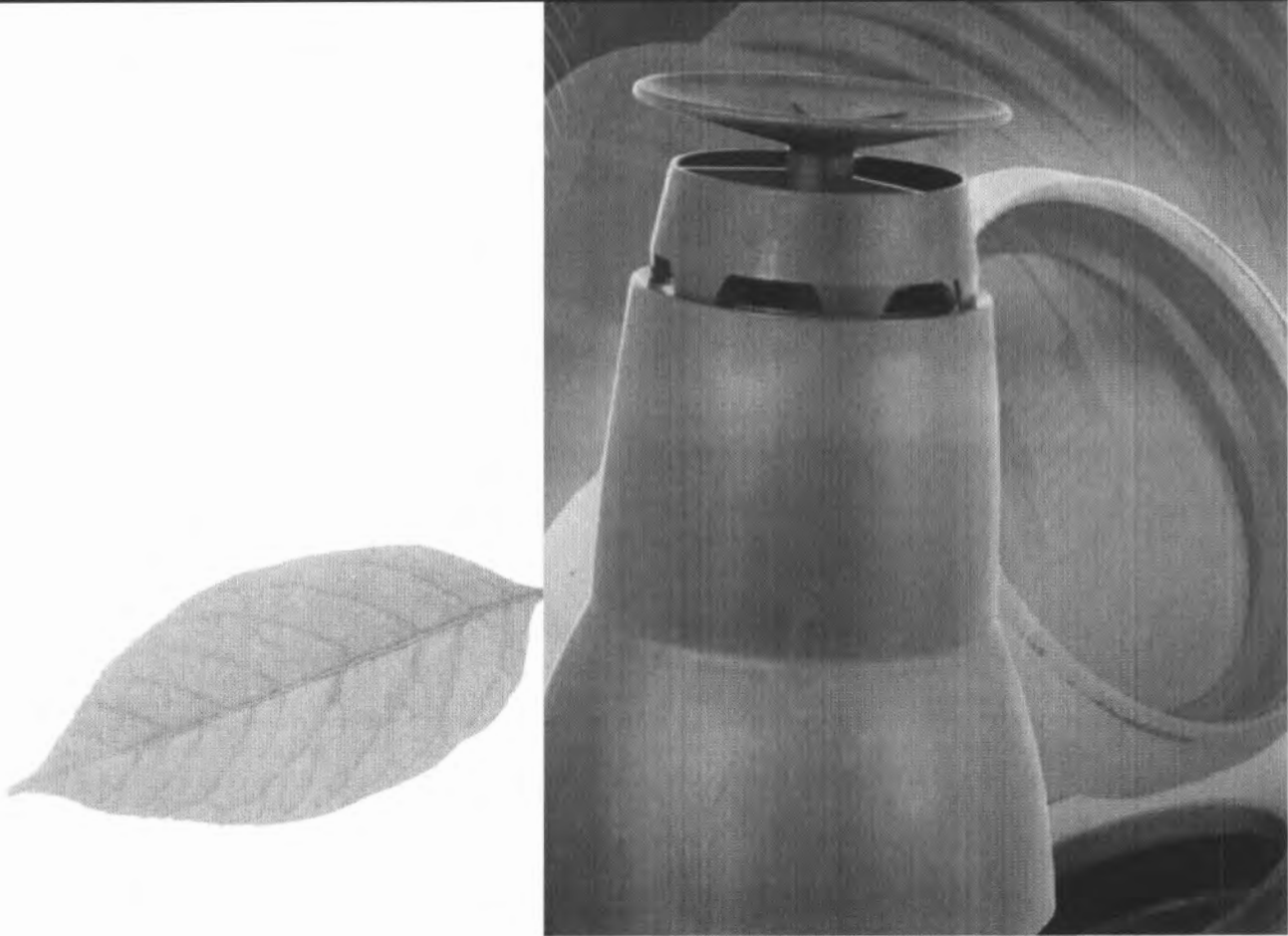


**Legend**

A EVI 79USG / 300L



**Viessmann® Vitodens 100-W, WB1B & 200-W, WB2B Series Boilers**



**Pricebook July 2012**

Effective 7/2012

**DuraVent**  
Member of  M&G Group

11

# DuraVent

M&G DuraVent, Inc.  
877 Cotting Ct.  
Vacaville, CA 95688

800-835-4429  
Fax: 707-446-4740

[www.duravent.com](http://www.duravent.com)

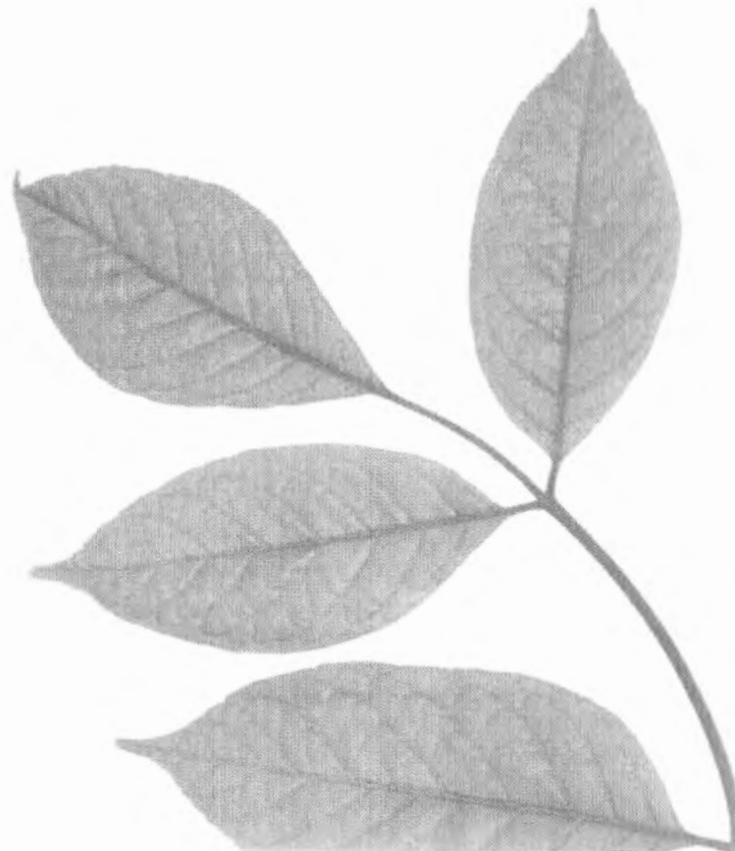
DuraVent is a member of M&G Group.

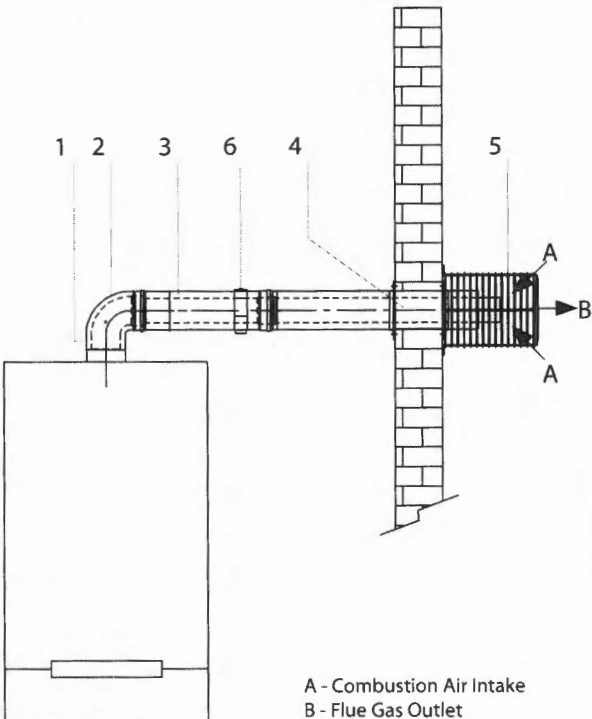
**Hours of operation California:**  
Monday – Friday, 7am – 4pm PST  
800-835-4429  
Fax: 707-446-4740  
[customerservice@duravent.com](mailto:customerservice@duravent.com)

**Hours of operation New York:**  
Monday – Friday, 8:30am – 5pm EST  
800-835-4429  
Fax: 518-463-5271  
[sales@duravent.com](mailto:sales@duravent.com)

DuraVent wants to provide the best product and service possible.

Brooks Sherman, President & CEO  
[president@duravent.com](mailto:president@duravent.com)



Vent System		60/100	80/125	100/150	Diameter
Horizontally Vented	Maximum Equivalent Length (EqL)	82/25	98/30	118/36	ft/m
Room Air Independent Operation  <p>A - Combustion Air Intake B - Flue Gas Outlet</p>	Basic Horizontal Vent Kit Venting pieces can be ordered individually, or as a convenient kit using the Order No. to the right; Basic Vent Kit includes one of each of the items numbered 2 to 4, and two Wall Straps 6.	2PPC-HVKA \$470.00	3PPC-HVKA \$525.00	4PPC-HVKA \$695.00	Order # Price
	1-Boiler Vent Pipe Adaptor 60/100	INCLUDED WITH BOILER			
	Adaptor, coaxial 60/100 to 80/125 (not shown)	-	2PPC-X3INC \$114.00	-	
	Adaptor, coaxial 60/100 to 100/150 (not shown)	-	-	2PPC-X4INC \$185.00	
	2-90° Elbow EqL = 1.6ft. / 0.5m	2PPC-E90 \$76.25	3PPC-E90 \$113.75	4PPC-E90 \$165.00	
	3-Straight Pipe** 3.3ft. / 1m	2PPC-P1000 \$87.50	3PPC-P1000 \$113.75	4PPC-P1000 \$138.75	
	4-Vent Termination 2.6ft. / 0.8m	2PPC-HCT \$165.00	3PPC-HCT \$185.00	4PPC-HCT \$198.75	
	5-Protective Screen*	ONLY AVAILABLE FROM VISSMANN			
	6-Wall Strap**(each)	2PPC-WSM \$16.63	3PPC-WSM \$22.50	4PPC-WSM \$28.75	
	Other Available Vent Pieces Not Shown In Illustration Above	Sliding Coupling 1.25ft. / 0.4m	2PPC-TA \$76.25	3PPC-TA \$87.50	4PPC-TA \$100.00
	Straight Pipe** 1.6ft. / 0.5m	2PPC-P500 \$60	3PPC-P500 \$76.25	4PPC-P500 \$113.75	
	45° Elbow (Set of 2) EqL = 1.0ft. / 0.3m	2PPC-E45 \$138.75	3PPC-E45 \$153.75	4PPC-E45 \$218.75	

\* PP(s) coaxial vent material must be ULC S-636 certified for Category IV boilers. Do not mix non-ULC S-636 with ULC S-636 venting. Side wall venting installation must include Viessmann Protective Screen!

\*\* Order 1 Wall Strap for each straight length of vent pipe installed.

» Do not include first 90° elbow in equivalent vent length calculations (this applies to all vent materials).

» A maximum of 5 elbows may be installed in the vent system; do not exceed maximum equivalent vent length.

» ALL PIPE SECTIONS MUST BE PROPERLY ASSEMBLED AND SUPPORTED. ADEQUATE SLOPE MUST ALSO BE INCORPORATED INTO ALL HORIZONTAL VENT RUNS TO ENSURE DRAINAGE OF CONDENSATES. PRIOR TO BEGINNING AN INSTALLATION, BE SURE TO READ VISSMANN VENTING INSTRUCTIONS CAREFULLY.

Vent System		60/100	80/125	100/150	Diameter
<b>Vertically Vented</b>	<b>Maximum Equivalent Length (EqL)</b>	<b>82/25</b>	<b>98/30</b>	<b>118/36</b>	<b>ft/m</b>
<b>Room Air Independent Operation</b>	1-Boiler Vent Pipe Adaptor 60/100	INCLUDED WITH BOILER			<b>Order # Price</b>
<p>A Combustion Air Intake B Flue Gas Outlet</p>	Adaptor, coaxial 60/100 to 80/125 not shown	-	2PPC-X3INC \$114.00	-	
	Adaptor, coaxial 60/100 to 100/150 not shown	-	-	2PPC-X4INC \$185.00	
	2-90° Elbow EqL = 1.6ft. / 0.5m	2PPC-E90 \$76.25	3PPC-E90 \$113.75	4PPC-E90 \$165.00	
	6-Wall Strap**(each)	2PPC-WSM \$16.63	3PPC-WSM \$22.50	4PPC-WSM \$28.75	
	8-Sliding Coupling 1.25ft. / 0.4m	2PPC-TA \$76.25	3PPC-TA \$87.50	4PPC-TA \$100.00	
	9-Straight Pipe** (each) 1.6ft. / 0.5m	2PPC-P500 \$60.00	3PPC-P500 \$76.25	4PPC-P500 \$113.75	
	Straight Pipe** (each) 3.3ft. / 1m	2PPC-P1000 \$87.50	3PPC-P1000 \$113.75	4PPC-P1000 \$138.75	
	10-45° Elbow (Set of 2) EqL = 1ft. / 0.3m	2PPC-E45 \$138.75	3PPC-E45 \$153.75	4PPC-E45 \$218.75	
	11-Vent Termination 3.9ft. / 1.2m	2PPC-VCT \$225.00	3PPC-VCT \$330.00	4PPC-VCT \$430.00	
	12-Roof Flashing and Storm Collar (B-Vent material or better) not shown	FIELD SUPPLIED			

\* PP(s) coaxial vent material must be ULC S-636 certified for Category IV boilers. Do not mix non-ULC S-636 with ULC S-636 venting. Side wall venting installation must include Viessmann Protective Screen!

\*\* Order 1 Wall Strap for each straight length of vent pipe installed.

» Do not include first 90° elbow in equivalent vent length calculations (this applies to all vent materials).

» A maximum of 5 elbows may be installed in the vent system; do not exceed maximum equivalent vent length.

» ALL PIPE SECTIONS MUST BE PROPERLY ASSEMBLED AND SUPPORTED. ADEQUATE SLOPE MUST ALSO BE INCORPORATED INTO ALL HORIZONTAL VENT RUNS TO ENSURE DRAINAGE OF CONDENSATES. PRIOR TO BEGINNING AN INSTALLATION, BE SURE TO READ VISSMANN VENTING INSTRUCTIONS CAREFULLY.



Vent System		60	80	100	Diameter
Horizontally Vented	Maximum Equivalent Length (EqL)	WB1B a+b ≤ -26/-35 86/31	-26/-35 164/50	-26/-35 200/61	ft/m
Room Air Independent Operation	1-Boiler Vent Pipe Adaptor	INCLUDED WITH BOILER			Order # Price
<p>1 per Joint Required!</p> <p>A Combustion Air Intake B Flue Gas Outlet</p>	3-Adaptor, 60 to 80 not shown	-	2PPS-X3 \$20.20	2PPS-X3 \$20.20	
	Adaptor, 80 to 100 not shown	-	-	3PPS-X4 \$21.96	
	4-90° Elbow EqL = 1.6ft. / 0.5m	2PPS-E90 \$12.48	3PPS-E90 \$13.52	4PPS-E90 \$26.00	
	5-45° Elbow EqL = 1ft. / 0.3m not shown	2PPS-E45B \$12.48	3PPS-E45B \$13.52	4PPS-E45B \$26.00	
	6-Flue Locking Band* (each)	2PPS-LB \$7.80	3PPS-LB \$8.32	4PPS-LB \$8.84	
	7-Wall Strap* (each)	2PPS-WSM \$10.09	3PPS-WSM \$10.92	4PPS-WSM \$12.17	
	8-Straight Pipe* (each) 1.0ft. / 0.3m	2PPS-12 \$7.80	3PPS-12 \$9.10	4PPS-12 \$22.00	
	Straight Pipe, Black* (each) 1.0ft. / 0.3m Use Black UV pipe for external applications	2PPS-12B \$9.36	3PPS-12B \$10.40	4PPS-12B \$24.00	
	Straight Pipe* (each) 3.0ft. / 0.9m	2PPS-36 \$14.56	3PPS-36 \$22.88	4PPS-36 \$47.00	
	Straight Pipe* (each) 6.0ft. / 1.8m	2PPS-72 \$20.80	3PPS-72 \$31.20	4PPS-72 \$68.50	
	9-Wall Plate for PP(s)	2PPS-WP \$19.95	3PPS-WP \$19.95	4PPS-WP \$19.95	
	* If installing ABS, CPVC, or PVC for combustion air supply pipe, use:	FIELD SUPPLIED			
	10-Adaptor, CPVC** 60mm to 2" 2" to 3" or 2" to 4" not shown				
	11-Bird Screen (Set of 2) for PP(s)	2PPS-BG \$8.00	3PPS-BG \$11.00	4PPS-BG \$14.00	

\* Boiler cannot support weight of vent system. Order 1 Wall Strap for each straight length of vent pipe installed (2 Wall Straps for each 2m straight length). Order 1 Flue Locking Band for each joint of flue vent pipe (excluding termination elbow(s)). Flue Locking Bands are optional on combustion air supply pipe if PP(s) is used.

\*\* Combustion air supply pipe may be made of the following materials: PP(s), ABS, CPVC, or PVC. CPVC Adaptor 10 is not required if using DuraVent PP(s) vent system.

» Do not include first 90° elbow in equivalent vent length calculations (this applies to all vent materials).

» A maximum of 5 x 90° elbows may be installed in the air intake and flue outlet combined; do not exceed maximum equivalent vent length.

» ALL PIPE SECTIONS MUST BE PROPERLY ASSEMBLED AND SUPPORTED. ADEQUATE SLOPE MUST ALSO BE INCORPORATED INTO ALL HORIZONTAL VENT RUNS TO ENSURE DRAINAGE OF CONDENSATES. PRIOR TO BEGINNING AN INSTALLATION, BE SURE TO READ VISSMANN VENTING INSTRUCTIONS CAREFULLY.

» USE UV BLACK COMPONENTS FOR EXTERNAL APPLICATIONS

Vent System		60	80	100	Diameter	
Vertically Vented	Maximum Equivalent Length (EqL)	WB1B a+b ≤	-26/-35 86/31	-26/-35 164/50	-26/-35 200/61	ft/m
Room Air Independent Operation	1-Boiler Vent Pipe Adaptor	INCLUDED WITH BOILER			Order #	Price
	3-Adaptor, 60 to 80 not shown	-	2PPS-X3 \$20.20	2PPS-X3 \$20.20		
	Adaptor, 80 to 100 not shown	-	-	3PPS-X4 \$21.96		
	4-90° Elbow EqL = 1.6ft. / 0.5m	2PPS-E90 \$12.48	3PPS-E90 \$13.52	4PPS-E90 \$26.00		
	90° Elbow, Black EqL = 1.6ft. / 0.5m	2PPS-E90B \$15.60	3PPS-E90B \$17.68	4PPS-E90B \$29.12		
	6-Flue Locking Band* (each)	2PPS-LB \$7.80	3PPS-LB \$8.32	4PPS-LB \$8.84		
	7-Wall Strap* (each)	2PPS-WSM \$10.09	3PPS-WSM \$10.92	4PPS-WSM \$12.17		
	8-Straight Pipe* (each) 1.0ft. / 0.3m	2PPS-12 \$7.80	3PPS-12 \$9.10	4PPS-12 \$22.00		
	Straight Pipe, Black* (each) 1.0ft. / 0.3m Use Black UV pipe for external applications	2PPS-12B \$9.36	3PPS-12B \$10.40	4PPS-12B \$24.00		
	Straight Pipe* (each) 3.0ft. / 0.9m	2PPS-36 \$14.56	3PPS-36 \$22.88	4PPS-36 \$47.00		
	Straight Pipe* (each) 6.0ft. / 1.8m	2PPS-72 \$20.80	3PPS-72 \$31.20	4PPS-72 \$68.50		
	9-Wall Plate for PP(s) not shown	2PPS-WP \$19.95	3PPS-WP \$19.95	4PPS-WP \$19.95		
	* If installing ABS, CPVC, or PVC for combustion air supply pipe, use:	FIELD SUPPLIED				
	10-Adaptor, CPVC** 60mm to 2" 2" to 3" or 2" to 4" not shown	FIELD SUPPLIED				
	Roof Flashing and Storm Collar	FIELD SUPPLIED				
11-Bird Screen (Set of 2) for PP(s)	2PPS-BG \$8.00	3PPS-BG \$11.00	4PPS-BG \$14.00			

\* Boiler cannot support weight of vent system. Order 1 Wall Strap for each straight length of vent pipe installed (2 Wall Straps for each 2m straight length). Order 1 Flue Locking Band for each joint of flue vent pipe (excluding termination elbow(s)). Flue Locking Bands are optional on combustion air supply pipe if PP(s) is used.

\*\* Combustion air supply pipe may be made of the following materials: PP(s), ABS, CPVC, or PVC. CPVC Adaptor 10 is not required if using DuraVent PP(s) vent system.

» Do not include first 90° elbow in equivalent vent length calculations (this applies to all vent materials).

» A maximum of 5 x 90° elbows may be installed in the air intake and flue outlet combined; do not exceed maximum equivalent vent length.

» ALL PIPE SECTIONS MUST BE PROPERLY ASSEMBLED AND SUPPORTED. ADEQUATE SLOPE MUST ALSO BE INCORPORATED INTO ALL HORIZONTAL VENT RUNS TO ENSURE DRAINAGE OF CONDENSATES. PRIOR TO BEGINNING AN INSTALLATION, BE SURE TO READ VISSMANN VENTING INSTRUCTIONS CAREFULLY.

» USE UV BLACK COMPONENTS FOR EXTERNAL APPLICATIONS

Vent System		80	100	Diameter
Vertically Vented	Maximum Equivalent Length (EqL)	WB1B a+b ≤ -26/-35 123/37	-26/-35 150/46	ft/m
Room Air Independent Operation	Basic Chimney Vent Kit Venting pieces can be ordered individually, or as a convenient kit using the Order No. to the right; Basic Chimney Vent Kit includes one of each of the items numbered 3 to 18 (excluding itemd 5 & 15). Refer to next page.	3PPS-FVKA \$700.00	4PPS-FVKA \$920.00	Order # Price
	1-Boiler Vent Pipe Adaptor - Included with the appliance	INCLUDED WITH BOILER		
	Flex Pipe, 35ft / 10.67m Additional flex as required.	3PPS-FLEX35 \$341.26	4PPS-FLEX35 \$500.50	

\* Boiler cannot support weight of vent system. Order 1 Wall Strap for each straight length of vent pipe installed (2 Wall Straps for each 2m straight length). Order 1 Flue Locking Band for each rigid-to-rigid joint of flue vent pipe (excluding starter/transition adaptors and base support elbow). Flue Locking Bands are optional on combustion air supply pipe if PP(s) is used.

\*\* Combustion air supply pipe may be made of the following materials: PP(s), ABS, CPVC, or PVC. CPVC Adaptor 5 is not required if using DuraVent PP(s) vent system.

» Do not include first 90° elbow in equivalent vent length calculations (this applies to all vent materials).

» A maximum of 5 x 90° elbows may be installed in the air intake and flue outlet combined; do not exceed maximum equivalent vent length.

» Always follow Viessmann venting installation instructions 5457 714.

Vent System		80	100	Diameter	
Vertically Vented	Maximum Equivalent Length (EqL)	WB1B a+b ≤	-26/-35 123/37	-26/-35 150/46	ft/m
<p>Room Air Independent Operation</p> <p>Order # Price</p>	1-Boiler Vent Pipe Adaptor	INCLUDED WITH BOILER			
	3-Flex Pipe, 35ft / 10.67m	3PPS-FLEX35 \$328.13	4PPS-FLEX35 \$481.25		
	5-Adaptor, CPVC 60mm to 2" 2" to 3" or 2" to 4" not shown	FIELD PROVIDED			
	6-Adaptor, 60 to 80	2PPS-X3 \$20.20	2PPS-X3 \$20.20		
	Adaptor, 80 to 100 not shown	-	3PPS-X4 \$21.96		
	7-90° Elbow EqL = 1.6ft. / 0.5m	3PPS-E90 \$13.52	4PPS-E90 \$26.00		
	8-Flue Locking Band* (each)	3PPS-LB \$8.32	4PPS-LB \$8.84		
	9-Wall Strap* (each)	3PPS-WSM \$10.92	4PPS-WSM \$12.17		
	10-Wall Plate	3PPS-WP \$19.95	4PPS-WP \$19.95		
	11-Mortar Sleeve*	3DFS-MS \$7.92	4DFS-MS \$9.01		
	12-90° Support Elbow, Extended EqL = 4.8ft. / 1.5m	3PPS-SE90X \$42.13	4PPS-SE90X \$49.05		
	13-Chimney Support	PPS-SUP \$40.00			
	14-Adaptor Set, rigid to flex, and flex to rigid	3PPS-FAS \$64.51	4PPS-FAS \$96.18		
	15-Coupling, for flex pipe; Optional	3PPS-FAC \$46.21	4PPS-FAC \$55.97		
	16-Spacer Cross (Set of 4) keeps flex centered in masonry chimney	3PPS-S \$14.29			
	17-Flex Support Bracket Supports flex at top of masonry chimney	3PPS-FSB \$30.13	4PPS-FSB \$29.83		
	18-Chimney Cap with Termination Pipe	3PPS-FCT \$110.91	4PPS-FCT \$130.47		
	19-Combustion Air Intake Vent Material ***	FIELD PROVIDED			
	<b>Other Available Vent Pieces Not Shown In Illustration Above</b>				
45° Elbow EqL = 1ft. / 0.3m	3PPS-E45 \$13.52	4PPS-E45 \$26.00			
Straight Pipe* (each) 3.0ft. / 0.9m	3PPS-36 \$22.88	4PPS-36 \$47.00			
Straight Pipe* (each) 6.0ft. / 1.8m	3PPS-72 \$31.20	4PPS-72 \$68.50			

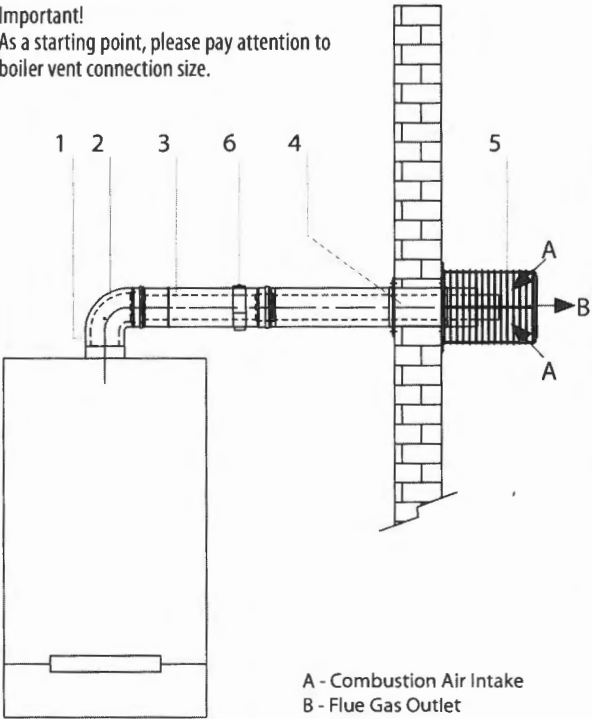
\* Boiler cannot support weight of vent system. Order 1 Wall Strap for each straight length of vent pipe installed (2 Wall Straps for each 2m straight length). Order 1 Flue Locking Band for each rigid-to-rigid joint of flue vent pipe (excluding starter/transition adaptors and base support elbow). Flue Locking Bands are optional on combustion air supply pipe if PP(s) is used.

\*\* Combustion air supply pipe may be made of the following materials: PP(s), ABS, CPVC, or PVC. CPVC Adaptor 5 is not required if using DuraVent PP(s) vent system.

» Do not include first 90° elbow in equivalent vent length calculations (this applies to all vent materials).

» A maximum of 5 x 90° elbows may be installed in the air intake and flue outlet combined; do not exceed maximum equivalent vent length.

» Always follow Viessmann venting installation instructions 5457 714.

Vent System		60/100	80/125	100/150	Diameter
Horizontally Vented	Maximum Equivalent Length (EqL)	WB2B -19/-26 33/10	-19/-26 43/13	-19/-26 52/16	ft/m
		WB2B -35 26/8	-35 36/11	-35 49/15	
		WB2B -	-45/-60 33/10	-45/-105 43/13	
Room Air Independent Operation	Basic Horizontal Vent Kit	2PPC-HVKA \$470.00	3PPC-HVKA \$525.00	4PPC-HVKA \$695.00	Order # Price
<p><b>Important!</b> As a starting point, please pay attention to boiler vent connection size.</p>  <p>A - Combustion Air Intake B - Flue Gas Outlet</p>	Boiler Vent Pipe Adapter	INCLUDED WITH BOILER			
	1-Flue Transition 110/150 to 100/150 only not shown - required WB2B 80/105	-	-	PPC-VSM-AD \$99.00	
	Adaptor, Coaxial 60/100 to 80/125 not shown - only for WB2B 19/26/35	-	2PPC-X3INC \$114.00	-	
	Adaptor, coaxial 60/100 to 100/150 not shown - only for WB2B 19/26/35	-	-	2PPC-X4INC \$185.00	
	Adaptor, coaxial 80/125 to 100/150 not shown - only for WB2B 45/60	-	-	3PPC-X4INC \$165.00	
	2-90° Elbow EqL = 1.6ft / 0.5m	2PPC-E90 \$76.25	3PPC-E90 \$113.75	4PPC-E90 \$165.00	
	3-Straight Pipe** 3.3ft. / 1m	2PPC-P1000 \$87.50	3PPC-P1000 \$113.75	4PPC-P1000 \$138.75	
	4-Vent Termination 2.6ft / 0.8m	2PPC-HCT \$165.00	3PPC-HCT \$185.00	4PPC-HCT \$198.75	
	5-Protective Screen*	ONLY AVAILABLE FROM VISSMAN			
	6-Wall Strap** (each)	2PPC-WSM \$16.63	3PPC-WSM \$22.50	4PPC-WSM \$28.75	
Other Available Vent Pieces Not Shown in Illustration Above	Sliding Coupling 1.25ft / 0.4m	2PPC-TA \$76.25	3PPC-TA \$87.50	4PPC-TA \$100.00	
	Straight Pipe** 1.6ft / 0.5m	2PPC-P500 \$60.00	3PPC-P500 \$76.25	4PPC-P500 \$113.75	
	45° Elbow (Set of 2) EqL = 1.0ft / 0.3m	2PPC-E45 \$138.75	3PPC-E45 \$153.75	4PPC-E45 \$218.75	

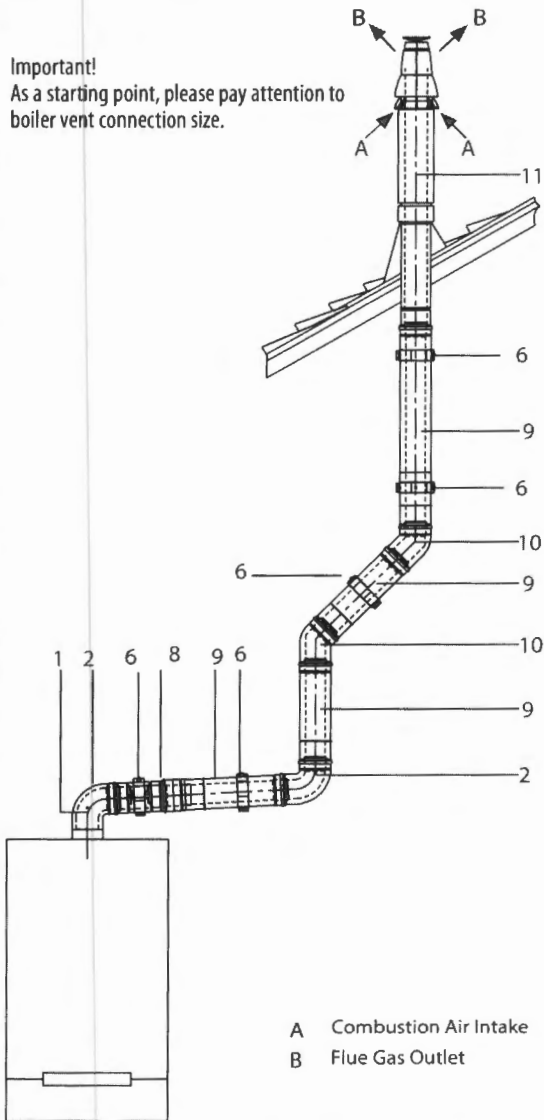
\* PP(s) coaxial vent material must be ULC S-636 certified for Category IV boilers. Do not mix non-ULC S-636 with ULC S-636 venting. Side wall venting installation must include Viessmann Protective Screen!

\*\* Order 1 Wall Strap for each straight length of vent pipe installed.

» Do not include first 90° elbow in equivalent vent length calculations (this applies to all vent materials).

» A maximum of 5 elbows may be installed in the vent system; do not exceed maximum equivalent vent length.

» ALL PIPE SECTIONS MUST BE PROPERLY ASSEMBLED AND SUPPORTED. ADEQUATE SLOPE MUST ALSO BE INCORPORATED INTO ALL HORIZONTAL VENT RUNS TO ENSURE DRAINAGE OF CONDENSATES. PRIOR TO BEGINNING AN INSTALLATION, BE SURE TO READ VISSMAN VENTING INSTRUCTIONS CAREFULLY.

Vent System		60/100	80/125	100/150	Diameter	
Vertically Vented	Maximum Equivalent Length (EqL)	WB2B	-19/-26 30/9	-19/-26 39/12	-19/-26 52/16	ft/m
		WB2B	-35 23/7	-35/-45 33/10	-35 49/15	
		WB2B	-	-60 20/6	-45 43/13	
		WB2B	-	-	-60 33/10	
		WB2B	-	-	-80/-105 43/13	
Room Air Independent Operation	Boiler Vent Pipe Adapter	INCLUDED WITH BOILER			Order #	Price
<p>Important! As a starting point, please pay attention to boiler vent connection size.</p>  <p>A Combustion Air Intake B Flue Gas Outlet</p>	1-Flue Transition 110/150 to 100/150 only not shown - required WB2B 80/105	-	-	PPC-VSM-AD \$99.00		
	Adaptor, coaxial 60/100 to 80/125 not shown - only for WB2B 19/26/35	-	2PPC-X3INC \$114.00	-		
	Adaptor, coaxial 60/100 to 100/150 not shown - only for WB2B 19/26/35	-	-	-	2PPC-X4INC \$185.00	
	Adaptor, coaxial 80/125 to 100/150 not shown - only for WB2B 45/60	-	-	-	3PPC-X4INC \$165.00	
	2-90° Elbow EqL = 1.6ft / 0.5m	2PPC-E90 \$76.25	3PPC-E90 \$113.75	4PPC-E90 \$165.00		
	6-Wall Strap** (each)	2PPC-WSM \$16.63	3PPC-WSM \$22.50	4PPC-WSM \$28.75		
	8-Sliding Coupling 1.25 ft / 0.4m	2PPC-TA \$76.25	3PPC-TA \$87.50	4PPC-TA \$100.00		
	9-Straight Pipe** 1.6ft / 0.5m	2PPC-P500 \$60.00	3PPC-P500 \$76.25	4PPC-P500 \$113.75		
	Straight Pipe** 3.3ft / 1m	2PPC-P1000 \$87.50	3PPC-P1000 \$113.75	4PPC-P1000 \$138.75		
	10-45° Elbow (Set of 2) EqL = 1.0ft / 0.3m	2PPC-E45 \$138.75	3PPC-E45 \$153.75	4PPC-E45 \$218.75		
	11-Vent Termination 3.9 ft / 1.2 m	2PPC-VCT \$225.00	3PPC-VCT \$330.00	4PPC-VCT \$430.00		
	12-Roof Flashing and Storm Collar (B-Vent material or better) not shown	FIELD SUPPLIED				

\* PP(s) coaxial vent material must be ULC S-636 certified for Category IV boilers. Do not mix non-ULC S-636 with ULC S-636 venting. Side wall venting installation must include Viessmann Protective Screen!

\*\* Order 1 Wall Strap for each straight length of vent pipe installed.

» Do not include first 90° elbow in equivalent vent length calculations (this applies to all vent materials).

» A maximum of 5 elbows may be installed in the vent system; do not exceed maximum equivalent vent length.

» ALL PIPE SECTIONS MUST BE PROPERLY ASSEMBLED AND SUPPORTED. ADEQUATE SLOPE MUST ALSO BE INCORPORATED INTO ALL HORIZONTAL VENT RUNS TO ENSURE DRAINAGE OF CONDENSATES. PRIOR TO BEGINNING AN INSTALLATION, BE SURE TO READ VISSMANN VENTING INSTRUCTIONS CAREFULLY.

Vent System		60	80	100	Diameter	
Horizontally Vented	Maximum Equivalent Length (EqL)	WB2B a+b ≤	-19...-35 115/35	-19...-35 148/45	-19...-35 180/55	ft/m
Room Air Independent Operation	1-Boiler Vent Pipe Adaptor	INCLUDED WITH BOILER			Order # Price	
<p>For Room Air Operation, please omit dotted -line componentry (below).</p> <p>A Combustion Air Intake B Flue Gas Outlet</p>	3-Adaptor 60 to 80 not shown	-	2PPS-X3 \$20.20	2PPS-X3 \$20.20		
	Adaptor 80 to 100 not shown	-	-	3PPS-X4 \$21.96		
	4-90° Elbow EqL = 1.6ft / 0.5m	2PPS-E90 \$12.48	3PPS-E90 \$13.52	4PPS-E90 \$26.00		
	5-45° Elbow, Black EqL = 1ft / 0.3m not shown	2PPS-E45B \$15.60	3PPS-E45B \$17.68	4PPS-E45B \$29.12		
	6-Flue Locking Band* (each)	2PPS-LB \$7.80	3PPS-LB \$8.32	4PPS-LB \$8.84		
	7-Wall Strap* (each)	2PPS-WSM \$10.09	3PPS-WSM \$10.92	4PPS-WSM \$12.17		
	8-Straight Pipe* 1.0ft / 0.3m	2PPS-12 \$7.80	3PPS-12 \$9.10	4PPS-12 \$22.00		
	Straight Pipe, Black* 1.0ft / 0.3m Use Black UV pipe for external applications	2PPS-12B \$9.36	3PPS-12B \$10.40	4PPS-12B \$24.00		
	Straight Pipe* 3.0ft / 0.9m	2PPS-36 \$14.56	3PPS-36 \$22.88	4PPS-36 \$47.00		
	Straight Pipe* 6.0ft / 1.8m	2PPS-72 \$20.80	3PPS-72 \$31.20	4PPS-72 \$68.50		
	9-Wall Plate for PP(s)	2PPS-WP \$19.95	3PPS-WP \$19.95	4PPS-WP \$19.95		
	If installing ABS, CPVC, or PVC for combustion air supply pipe, use:	FIELD SUPPLIED				
	10-Adaptor, CPVC** 60mm to 2" 2" to 3" or 2" to 4" not shown					
	11-Bird Screen (Set of 2) for PP(s)	2PPS-BG \$8.00	3PPS-BG \$11.00	4PPS-BG \$14.00		

\* Boiler cannot support weight of vent system. Order 1 Wall Strap for each straight length of vent pipe installed (2 Wall Straps for each 2m straight length). Order 1 Flue Locking Band for each joint of flue vent pipe (excluding termination elbow(s)). Flue Locking Bands are optional on combustion air supply pipe if PP(s) is used.

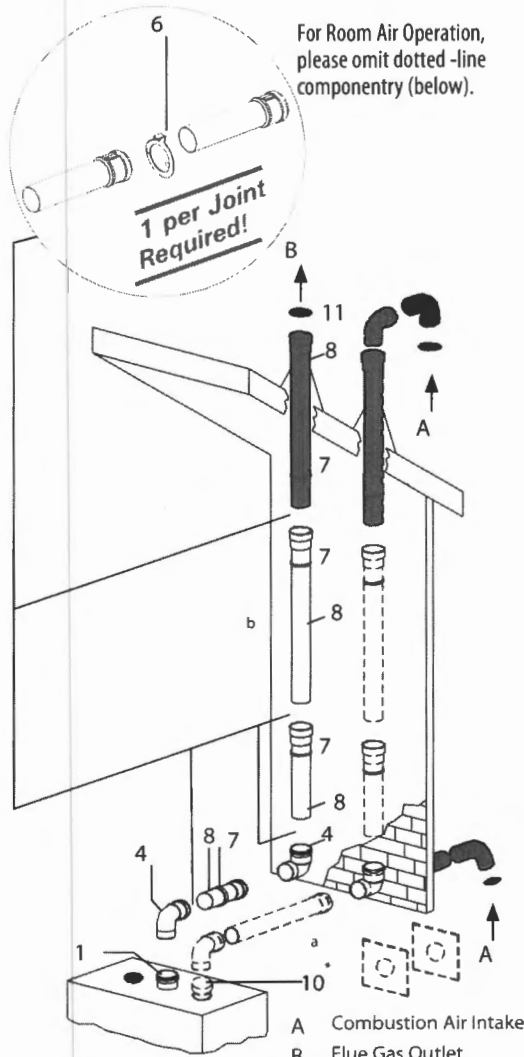
\*\* Combustion air supply pipe may be made of the following materials: PP(s), ABS, CPVC, or PVC. CPVC Adaptor 10 is not required if using DuraVent PP(s) vent system.

» Do not include first 90° elbow in equivalent vent length calculations (this applies to all vent materials).

» A maximum of 5 x 90° elbows may be installed in the air intake and flue outlet combined; do not exceed maximum equivalent vent length.

» ALL PIPE SECTIONS MUST BE PROPERLY ASSEMBLED AND SUPPORTED. ADEQUATE SLOPE MUST ALSO BE INCORPORATED INTO ALL HORIZONTAL VENT RUNS TO ENSURE DRAINAGE OF CONDENSATES. PRIOR TO BEGINNING AN INSTALLATION, BE SURE TO READ VISSMANN VENTING INSTRUCTIONS CAREFULLY.

» USE UV BLACK COMPONENTS FOR EXTERNAL APPLICATIONS

Vent System		60	80	100	Diameter	
Vertically Vented	Maximum Equivalent Length (EqL)	WB2B a+b ≤	-19...-35 115/35	-19...-35 148/45	-19...-35 180/55	ft/m
Room Air Independent Operation	1-Boiler Vent Pipe Adaptor	INCLUDED WITH BOILER			Order # Price	
 <p>For Room Air Operation, please omit dotted-line componentry (below).</p> <p>1 per Joint Required!</p> <p>A Combustion Air Intake B Flue Gas Outlet</p>	3-Adaptor 60 to 80 not shown	-	2PPS-X3 \$20.20	2PPS-X3 \$20.20		
	Adaptor 80 to 100 not shown	-	-	3PPS-X4 \$21.96		
	4-90° Elbow EqL = 1.6ft / 0.5m	2PPS-E90 \$12.48	3PPS-E90 \$13.52	4PPS-E90 \$26.00		
	90° Elbow, Black EqL = 1.6ft. / 0.5m	2PPS-E90B \$15.60	3PPS-E90B \$17.68	4PPS-E90B \$29.12		
	5-45° Elbow EqL = 1ft / 0.3m not shown	2PPS-E45 \$12.48	3PPS-E45 \$13.52	4PPS-E45 \$26.00		
	6-Flue Locking Band*(each)	2PPS-LB \$7.80	3PPS-LB \$8.32	4PPS-LB \$8.84		
	7-Wall Strap*(each)	2PPS-WSM \$10.09	3PPS-WSM \$10.92	4PPS-WSM \$12.17		
	8-Straight Pipe* 1.0ft / 0.3m	2PPS-12 \$7.80	3PPS-12 \$9.10	4PPS-12 \$22.00		
	Straight Pipe, Black* 1.0ft / 0.3m Use Black UV pipe for external applications	2PPS-12B \$9.36	3PPS-12B \$10.40	4PPS-12B \$24.00		
	Straight Pipe* 3.0ft / 0.9m	2PPS-36 \$14.56	3PPS-36 \$22.88	4PPS-36 \$47.00		
	Straight Pipe* 6.0ft / 1.8m	2PPS-72 \$20.80	3PPS-72 \$31.20	4PPS-72 \$68.50		
	9- Wall Plate for PP(s) not shown	2PPS-WP \$19.95	3PPS-WP \$19.95	4PPS-WP \$19.95		
	If installing ABS, CPVC or PVC for combustion air supply pipe, use:	FIELD SUPPLIED				
	10-Adaptor, CPVC** 60mm to 2"; 2" to 3" or 2" to 4" not shown	FIELD SUPPLIED				
Roof Flashing and Storm Collar	FIELD SUPPLIED					
11-Bird Screen (Set of 2) for PP(s)	2PPS-BG \$8.00	3PPS-BG \$11.00	4PPS-BG \$14.00			

\* Boiler cannot support weight of vent system. Order 1 Wall Strap for each straight length of vent pipe installed (2 Wall Straps for each 2m straight length). Order 1 Flue Locking Band for each joint of flue vent pipe (excluding termination elbow(s)). Flue Locking Bands are optional on combustion air supply pipe if PP(s) is used.

\*\* Combustion air supply pipe may be made of the following materials: PP(s), ABS, CPVC, or PVC. CPVC Adaptor 10 is not required if using DuraVent PP(s) vent system.

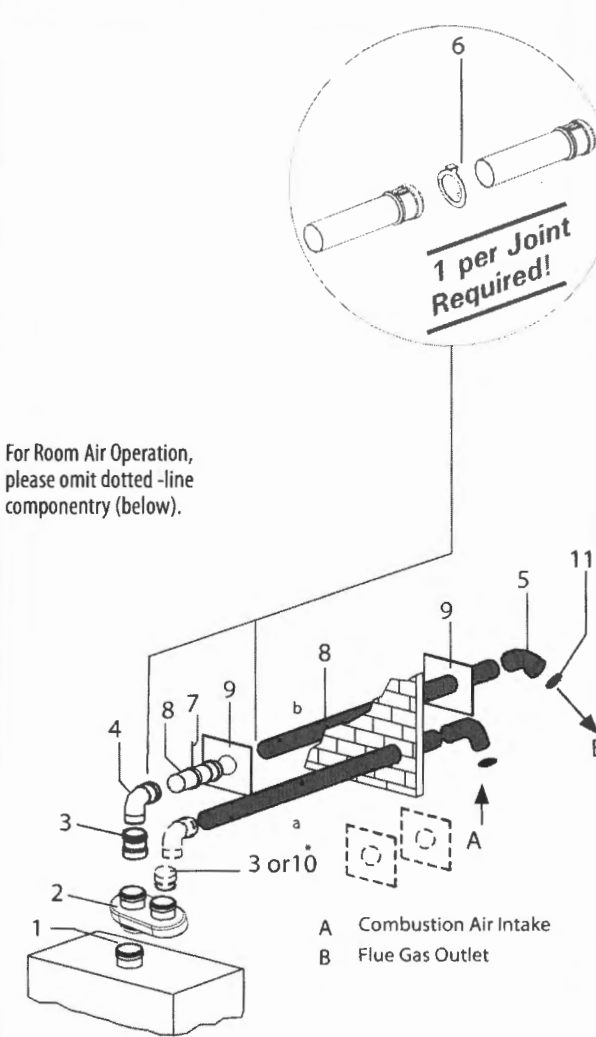
» Do not include first 90° elbow in equivalent vent length calculations (this applies to all vent materials).

» A maximum of 5 x 90° elbows may be installed in the air intake and flue outlet combined; do not exceed maximum equivalent vent length.

» ALL PIPE SECTIONS MUST BE PROPERLY ASSEMBLED AND SUPPORTED. ADEQUATE SLOPE MUST ALSO BE INCORPORATED INTO ALL HORIZONTAL VENT RUNS TO ENSURE DRAINAGE OF CONDENSATES. PRIOR TO BEGINNING AN INSTALLATION, BE SURE TO READ VISSMANN VENTING INSTRUCTIONS CAREFULLY.

» USE UV BLACK COMPONENTS FOR EXTERNAL APPLICATIONS



Vent System		80	100	100	Diameter	
Horizontally Vented	Maximum Equivalent Length (EqL)	WB2B a+b ≤	-46/-60 98/30	-45/-60 148/45	-80/-105 131/40	ft/m
Room Air Independent Operation	1-Boiler Vent Pipe Adapter	INCLUDED WITH BOILER				Order # Price
 <p>For Room Air Operation, please omit dotted-line componentry (below).</p>	2-Double Pipe Adapter	ONLY AVAILABLE FROM VIESSMAN				
	3-Adaptor 80 to 100	-	3PPS-X4 \$21.96	-		
	Adaptor 110 to 100	-	-	PPS-VSM-AD \$40.00		
	4-90° Elbow EqL = 1.6ft / 0.5m	3PPS-E90 \$13.52	4PPS-E90 \$26.00			
	5-45° Elbow, Black EqL = 1ft / 0.3m not shown	3PPS-E45B \$17.68	4PPS-E45B \$29.12			
	6-Flue Locking Band* (each)	3PPS-LB \$8.32	4PPS-LB \$8.84			
	7-Wall Strap* (each)	3PPS-WSM \$10.92	4PPS-WSM \$12.17			
	8-Straight Pipe* 1.0ft / 0.3m	3PPS-12 \$9.10	4PPS-12 \$22.00			
	Straight Pipe, Black* 1.0 ft / 0.3m Use Black UV pipe for external applications	3PPS-12B \$10.40	4PPS-12B \$24.00			
	Straight Pipe* 3.0ft / 0.9m	3PPS-36 \$22.88	4PPS-36 \$47.00			
	Straight Pipe* 6.0ft / 1.8m	3PPS-72 \$31.20	4PPS-72 \$68.50			
	9-Wall Plate for PP(s) not shown	3PPS-WP \$19.95	4PPS-WP \$19.95			
	If installing ABS, CPVC, or PVC for combustion air supply pipe, use:	FIELD SUPPLIED				
	10-Adaptor, CPVC** 80mm to 3"; 3" to 4" not shown Adaptor, CPVC** 110.67mm to 4"					
11-Bird Screen (Set of 2) for PP(s)	3PPS-BG \$11.00	4PPS-BG \$14.00				

\* Boiler cannot support weight of vent system. Order 1 Wall Strap for each straight length of vent pipe installed (2 Wall Straps for each 2m straight length). Order 1 Flue Locking Band for each joint of flue vent pipe (excluding termination elbow(s)). Flue Locking Bands are optional on combustion air supply pipe if PP(s) is used.

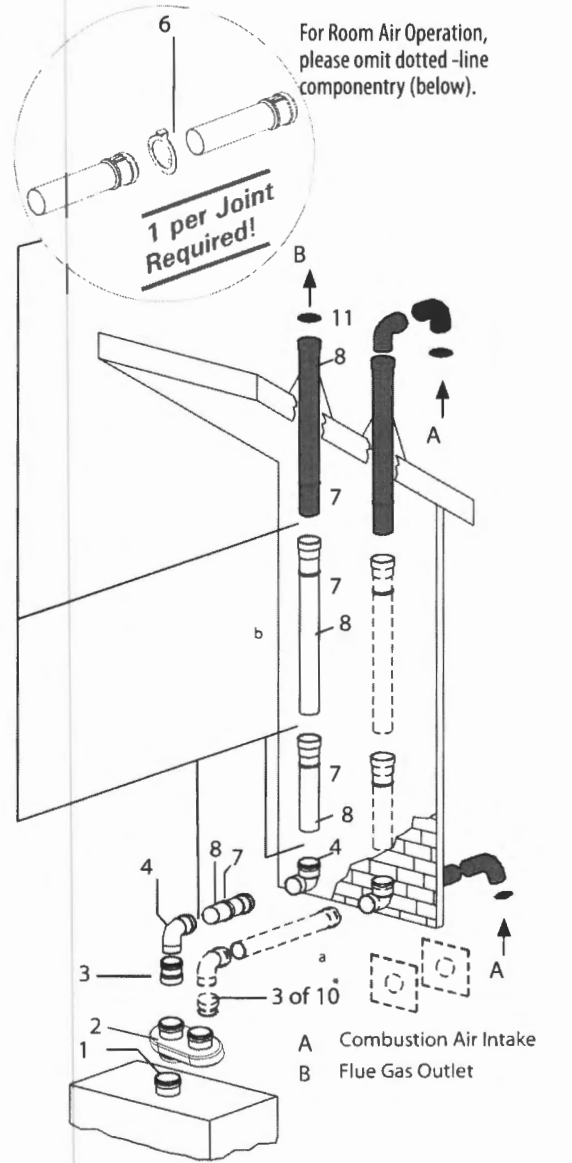
\*\* Combustion air supply pipe may be made of the following materials: PP(s), ABS, CPVC, or PVC. CPVC Adaptor 10 is not required if using DuraVent PP(s) vent system.

» Do not include first 90° elbow in equivalent vent length calculations (this applies to all vent materials).

» A maximum of 5 x 90° elbows may be installed in the air intake and flue outlet combined; do not exceed maximum equivalent vent length.

» ALL PIPE SECTIONS MUST BE PROPERLY ASSEMBLED AND SUPPORTED. ADEQUATE SLOPE MUST ALSO BE INCORPORATED INTO ALL HORIZONTAL VENT RUNS TO ENSURE DRAINAGE OF CONDENSATES. PRIOR TO BEGINNING AN INSTALLATION, BE SURE TO READ VIESSMANN VENTING INSTRUCTIONS CAREFULLY.

» USE UV BLACK COMPONENTS FOR EXTERNAL APPLICATIONS

Vent System		80	100	100	Diameter	
<b>Vertically Vented</b>	<b>Maximum Equivalent Length (EqL)</b>	<b>WB2B a+b ≤</b>	<b>-45/-60 98/30</b>	<b>-45/-60 148/45</b>	<b>-80/-105 131/40</b>	<b>ft/m</b>
Room Air Independent Operation	1-Boiler Vent Pipe Adapter	INCLUDED WITH BOILER				Order # Price
 <p>For Room Air Operation, please omit dotted-line componentry (below).</p> <p>1 per Joint Required!</p> <p>A Combustion Air Intake B Flue Gas Outlet</p>	2-Double-Pipe Adapter	ONLY AVAILABLE FROM VIESSMAN				
	3-Adaptor 80 to 100	-	3PPS-X4 \$21.96	-		
	Adaptor 110 to 100	-	-	PPS-VSM-AD \$40.00		
	4-90° Elbow EqL = 1.6ft / 0.5m	3PPS-E90 \$13.52	4PPS-E90 \$26.00			
	90° Elbow, Black EqL = 1.6ft. / 0.5m	2PPS-E90B \$15.60	3PPS-E90B \$17.68	4PPS-E90B \$29.12		
	5-45° Elbow EqL = 1ft / 0.3m not shown	3PPS-E45 \$13.52	4PPS-E45 \$26.00			
	6-Flue Locking Band* (each)	3PPS-LB \$8.32	4PPS-LB \$8.84			
	7-Wall Strap* (each)	3PPS-WSM \$10.92	4PPS-WSM \$12.17			
	8-Straight Pipe* 1.0ft / 0.3m	3PPS-12 \$9.10	4PPS-12 \$22.00			
	Straight Pipe, Black* 1.0ft / 0.3m Use Black UV pipe for external applications	3PPS-12B \$10.40	4PPS-12B \$24.00			
	Straight Pipe* 3.0ft / 0.9m	3PPS-36 \$22.88	4PPS-36 \$47.00			
Straight Pipe* 6.0ft / 1.8m	3PPS-72 \$31.20	4PPS-72 \$68.50				
9-Wall Plate for PP(s) not shown	3PPS-WP \$19.95	4PPS-WP \$19.95				
If installing ABS, CPVC, or PVC for combustion air supply pipe, use:	FIELD SUPPLIED					
10-Adaptor CPVC ** 80mm to 3"; 3" to 4" not shown Adaptor CPVC** 110.67mm to 4"	FIELD SUPPLIED					
Roof Flashing and Storm Collar	FIELD SUPPLIED					
11-Bird Screen (Set of 2) for PP(s)	3PPS-BG \$11.00	4PPS-BG \$14.00				

\* Boiler cannot support weight of vent system. Order 1 Wall Strap for each straight length of vent pipe installed (2 Wall Straps for each 2m straight length). Order 1 Flue Locking Band for each joint of flue vent pipe (excluding termination elbow(s)). Flue Locking Bands are optional on combustion air supply pipe if PP(s) is used.

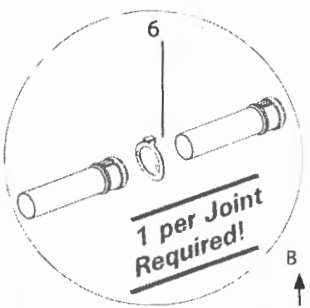
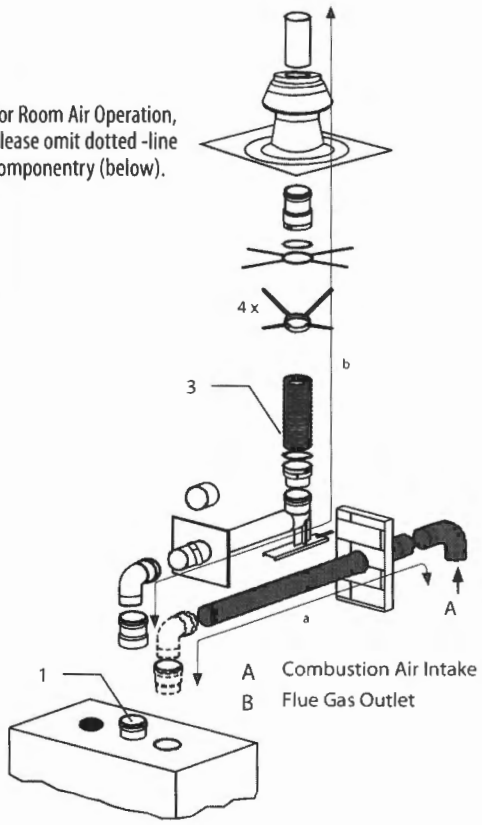
\*\* Combustion air supply pipe may be made of the following materials: PP(s), ABS, CPVC, or PVC. CPVC Adaptor 10 is not required if using DuraVent PP(s) vent system.

» Do not include first 90° elbow in equivalent vent length calculations (this applies to all vent materials).

» A maximum of 5 x 90° elbows may be installed in the air intake and flue outlet combined; do not exceed maximum equivalent vent length.

» ALL PIPE SECTIONS MUST BE PROPERLY ASSEMBLED AND SUPPORTED. ADEQUATE SLOPE MUST ALSO BE INCORPORATED INTO ALL HORIZONTAL VENT RUNS TO ENSURE DRAINAGE OF CONDENSATES. PRIOR TO BEGINNING AN INSTALLATION, BE SURE TO READ VISSMANN VENTING INSTRUCTIONS CAREFULLY.

» USE UV BLACK COMPONENTS FOR EXTERNAL APPLICATIONS

Vent System		80	100	Diameter	
Vertically Vented	Maximum Equivalent Length (EqL)	WB2B a+b ≤	-19...-35 111/34	-19...-35 135/41	ft/m
Room Air Independent Operation	Basic Chimney Vent Kit Venting pieces can be ordered individually, or as a convenient kit using the Order No. to the right; Basic Chimney Vent Kit includes one of each of the items numbered 3 to 18 (excluding item 5 & 15). Refer to next page.		3PPS-FVKA \$700.00	4PPS-FVKA \$920.00	Order # Price
 <p>For Room Air Operation, please omit dotted-line componentry (below).</p> 	1-Boiler Vent Pipe Adapter		INCLUDED WITH BOILER		
	3-Flex Pipe 35ft / 10.67m Extra Flex Pipe As Needed		3PPS-FLEX35 \$341.26	4PPS-FLEX35 \$500.50	

\* Boiler cannot support weight of vent system. Order 1 Wall Strap for each straight length of vent pipe installed (2 Wall Straps for each 2m straight length). Order 1 Flue Locking Band for each joint of flue vent pipe (excluding termination elbow(s)). Flue Locking Bands are optional on combustion air supply pipe if PP(s) is used.

\*\* Combustion air supply pipe may be made of the following materials: PP(s), ABS, CPVC, or PVC. CPVC Adaptor 10 is not required if using DuraVent PP(s) vent system.

» Do not include first 90° elbow in equivalent vent length calculations (this applies to all vent materials).

» A maximum of 5 x 90° elbows may be installed in the air intake and flue outlet combined; do not exceed maximum equivalent vent length.

» Always follow Viessmann venting installation instructions 5457 714.

Vent System		80	100	Diameter	
<b>Vertically Vented</b>	<b>Maximum Equivalent Length (EqL)</b>	<b>WB2B a+b ≤</b>	<b>-19...-35 111/34</b>	<b>-19...-35 135/41</b>	<b>ft/m</b>
<b>Room Air Independent Operation</b>	1-Boiler Vent Pipe Adapter		INCLUDED WITH BOILER		<b>Order # Price</b>
<p>For Room Air Operation, please omit dotted-line componentry (below).</p> <p>A Combustion Air Intake B Flue Gas Outlet</p> <p><b>Required!</b></p>	3-Flex Pipe 35ft / 10.67m	3PPS-FLEX35 \$341.26	4PPS-FLEX35 \$500.50		
	5-Adapter, CPVC 60mm to 2" 2" to 3" or 2" to 4" not shown	FIELD SUPPLIED			
	6-Adaptor 60 to 80	2PPS-X3 \$20.20	2PPS-X3 \$20.20		
	Adaptor 80 to 100 not shown		3PPS-X4 \$21.96		
	7-90° Elbow EqL = 1.6ft / 0.5m	3PPS-E90 \$13.52	4PPS-E90 \$26.00		
	8-Flue Locking Band * (each)	3PPS-LB \$8.32	4PPS-LB \$8.84		
	9-Wall Strap* (each)	3PPS-WSM \$10.92	4PPS-WSM \$12.17		
	10-Wall Plate	3PPS-WP \$19.95	4PPS-WP \$19.95		
	11-Mortar Sleeve	3DFS-MS \$7.92	4DFS-MS \$9.01		
	12-90° Support Elbow, Extended EqL = 1.6ft / 0.5m	3PPS-SE90X \$42.13	4PPS-SE90X \$49.05		
	13-Chimney Support	PPS-SUP \$40.00			
	14-Adapter Set, rigid to flex and flex to rigid	3PPS-FAS \$64.51	4PPS-FAS \$96.18		
	15-Coupling for flex pipe Optional	3PPS-FAC \$46.21	4PPS-FAC \$55.97		
	16-Spacer Cross (Set of 4)	3PPS-S \$14.29			
	17-Flex Support Bracket Supports Flex at Top	3PPS-FSB \$30.13	4PPS-FSB \$29.83		
	18-Chimney Cap with Termination Pipe	3PPS-FCT \$110.91	4PPS-FCT \$130.47		
	19-Combustion Air Intake Vent Material ***	FIELD SUPPLIED			
	<b>Other Available Vent Pieces Not Shown in Illustration Above</b>	45° Elbow EqL = 1ft / 0.3m	3PPS-E45 \$13.52	4PPS-E45 \$26.00	
		Straight Pipe * 3.0 ft / 0.9m	3PPS-36 \$22.88	4PPS-36 \$47.00	
	Straight Pipe * 6.0ft / 1.8m	3PPS-72 \$31.20	4PPS-72 \$68.50		

\* Boiler cannot support weight of vent system. Order 1 Wall Strap for each straight length of vent pipe installed (2 Wall Straps for each 2m straight length). Order 1 Flue Locking Band for each joint of flue vent pipe (excluding termination elbow(s)). Flue Locking Bands are optional on combustion air supply pipe if PP(s) is used.

\*\* Combustion air supply pipe may be made of the following materials: PP(s), ABS, CPVC, or PVC. CPVC Adaptor 10 is not required if using DuraVent PP(s) vent system.

» Do not include first 90° elbow in equivalent vent length calculations (this applies to all vent materials).

» A maximum of 5 x 90° elbows may be installed in the air intake and flue outlet combined; do not exceed maximum equivalent vent length.

» Always follow Viessmann venting installation instructions 5457 714.

Vent System		80	100	Diameter	
Vertically Vented	Maximum Equivalent Length (EqL)	WB2B a+b ≤	-45/-60 74/23	-45/-60 111/34	ft/m
Room Air Independent Operation	Basic Chimney Vent Kit Venting pieces can be ordered individually, or as a convenient kit using the Order No. to the right; Basic Chimney Vent Kit includes one of each of the items number 4 to 18 (excluding item 5 & 15). Refer to next page.		3PPS-FVKB \$785.00	4PPS-FVKB \$995.00	Order # Price
<p>1 per Joint Required!</p> <p>For Room Air Operation, please omit dotted-line componentry (below).</p> <p>A Combustion Air Intake B Flue Gas Outlet</p>	1-Boiler Vent Pipe Adapter		INCLUDED WITH BOILER		
	2-Double-Pipe Adaptor		ONLY AVAILABLE FROM VIESSMAN		
	4-Flex Pipe 35ft / 10.67m Extra Flex Pipe As Needed		3PPS-FLEX35 \$341.26	4PPS-FLEX35 \$500.50	

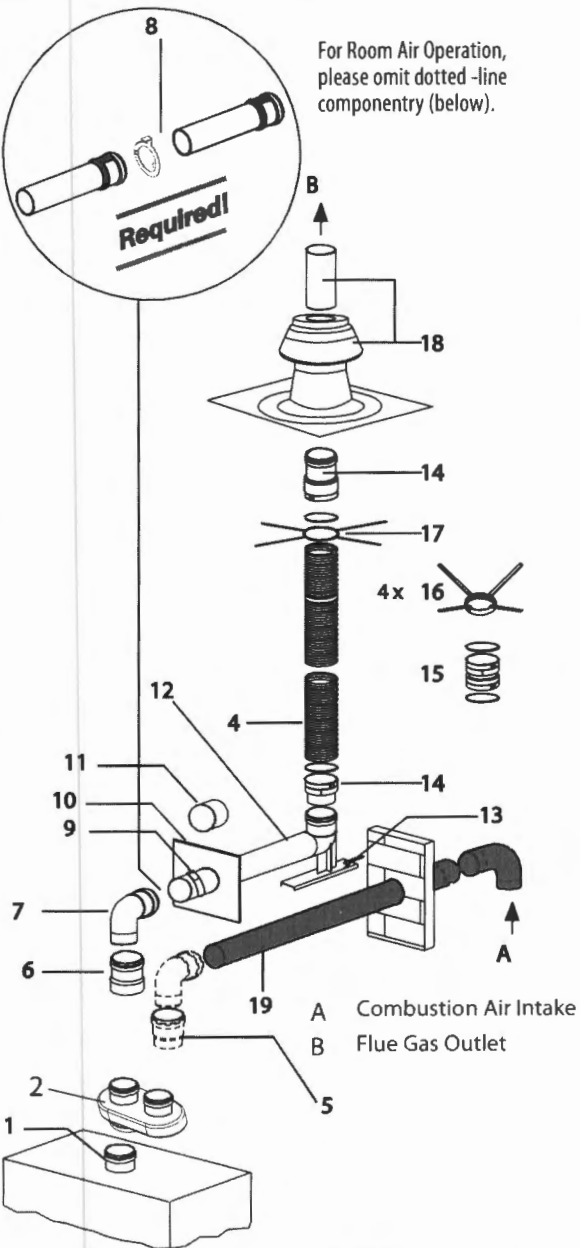
\* Boiler cannot support weight of vent system. Order 1 Wall Strap for each straight length of vent pipe installed (2 Wall Straps for each 2m straight length). Order 1 Flue Locking Band for each rigid-to-rigid joint of flue vent pipe (excluding starter/transition adaptors and base support elbow). Flue Locking Bands are optional on combustion air supply pipe if PP(s) is used.

\*\* Combustion air supply pipe may be made of the following materials: PP(s), ABS, CPVC, or PVC. CPVC Adaptor 5 is not required if using DuraVent PP(s) vent system.

» Do not include first 90° elbow in equivalent vent length calculations (this applies to all vent materials).

» A maximum of 5 x 90° elbows may be installed in the air intake and flue outlet combined; do not exceed maximum equivalent vent length.

» Always follow Viessmann venting installation instructions 5457 714.

Vent System		80	100	Diameter	
Vertically Vented	Maximum Equivalent Length (EqL)	WB2B a+b ≤	-45/-60 74/23	-45/-60 111/34	ft/m
Room Air Independent Operation	1-Boiler Vent Pipe Adaptor		INCLUDED WITH BOILER		Order # Price
 <p>For Room Air Operation, please omit dotted-line componentry (below).</p> <p><b>Required!</b></p> <p>A Combustion Air Intake B Flue Gas Outlet</p>	2-Double-Pipe Adaptor		ONLY AVAILABLE FROM VISSMAN		
	4-Flex Pipe 35ft / 10.67m		3PPS-FLEX35 \$341.26	4PPS-FLEX35 \$500.50	
	5-Adaptor, CPVC 80mm to 3"		FIELD SUPPLIED		
	3" to 4" not shown		FIELD SUPPLIED		
	6-Adaptor 80 to 100		-	3PPS-X4 \$21.96	
	7-90° Elbow EqL = 1.6ft / 0.5m		3PPS-E90 \$13.52	4PPS-E90 \$26.00	
	8-Flue Locking Band* (each)		3PPS-LB \$8.32	4PPS-LB \$8.84	
	9-Wall Strap* (each)		3PPS-WSM \$10.92	4PPS-WSM \$12.17	
	10-Wall Plate		3PPS-WP \$19.95	4PPS-WP \$19.95	
	11-Mortar Sleeve*		3DFS-MS \$7.92	4DFS-MS \$9.01	
	12-90° Support Elbow, Extended EqL = 4.8ft / 1.5m		3PPS-SE90X \$42.13	4PPS-SE90X \$49.05	
	13-Chimney Support		PPS-SUP \$40.00		
	14-Adaptor Set rigid to flex, and flex to rigid		3PPS-FAS \$64.51	4PPS-FAS \$96.18	
	15-Coupling for flex pipe; Optional		3PPS-FAC \$46.21	4PPS-FAC \$55.97	
	16-Spacer Cross (Set of 4) keeps flex centered in masonry chimney		3PPS-S \$14.29		
	17-Flex Support Bracket Supports flex at top of masonry chimney		3PPS-FSB \$30.13	4PPS-FSB \$29.83	
	18-Chimney Cap with Termination Pipe		3PPS-FCT \$110.91	4PPS-FCT \$130.47	
	19-Combustion Air Intake Vent Material* **		FIELD SUPPLIED		
	<b>Other Available Vent Pieces Not Shown in Illustration Above</b>	45° Elbow EqL = 1ft / 0.3m		3PPS-E45 \$13.52	4PPS-E45 \$26.00
	Straight Pipe* 3.0ft / 0.9m		3PPS-36 \$22.88	4PPS-36 \$47.00	
	Straight Pipe* 6.0ft / 1.8m		3PPS-72 \$31.20	4PPS-72 \$68.50	

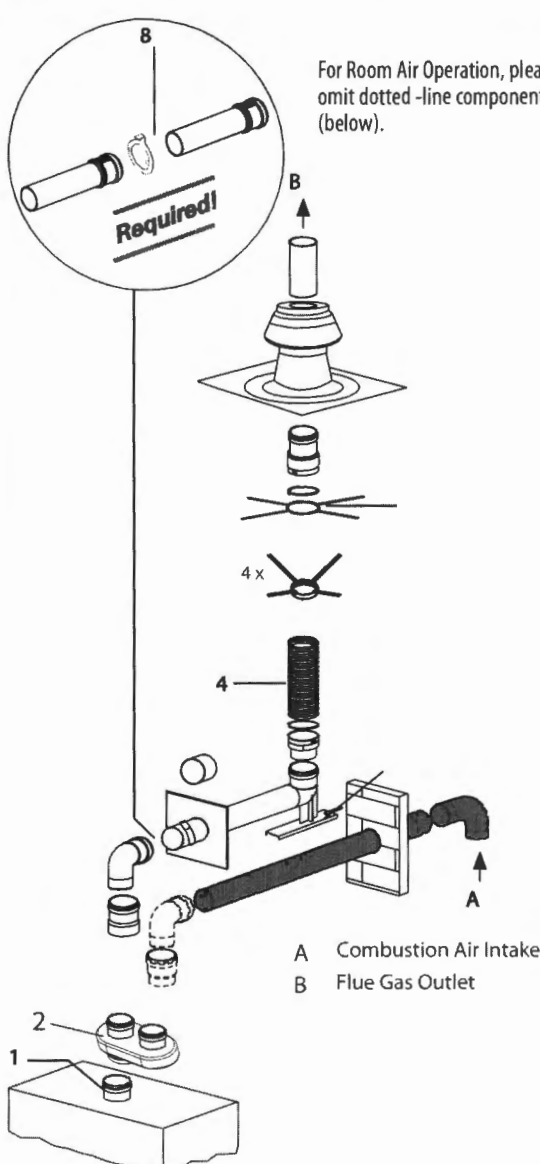
\* Boiler cannot support weight of vent system. Order 1 Wall Strap for each straight length of vent pipe installed (2 Wall Straps for each 2m straight length). Order 1 Flue Locking Band for each rigid-to-rigid joint of flue vent pipe (excluding starter/transition adaptors and base support elbow). Flue Locking Bands are optional on combustion air supply pipe if PP(s) is used.

\*\* Combustion air supply pipe may be made of the following materials: PP(s), ABS, CPVC, or PVC. CPVC Adaptor 5 is not required if using DuraVent PP(s) vent system.

» Do not include first 90° elbow in equivalent vent length calculations (this applies to all vent materials).

» A maximum of 5 x 90° elbows may be installed in the air intake and flue outlet combined; do not exceed maximum equivalent vent length.

» Always follow Viessmann venting installation instructions 5457 714.

Vent System			100	Diameter
Vertically Vented	Maximum Equivalent Length (EqL)	WB2B a+b ≤	-80/-105 98/30	ft/m
<p>Room Air Independent Operation</p>  <p>For Room Air Operation, please omit dotted -line componentry (below).</p> <p><b>Required!</b></p> <p>A Combustion Air Intake B Flue Gas Outlet</p>	<p>Basic Chimney Vent Kit Venting pieces can be ordered individually, or as a convenient kit using the Order No. to the right; Basic Chimney Vent Kit includes one of each of the items number 4 to 18 (excluding item 5 &amp; 15). Refer to next page.</p>		4PPS-FVKC \$1050.00	Order # Price
	1-Boiler Vent Pipe Adaptor		INCLUDED WITH BOILER	
	2-Double Pipe Adaptor		ONLY AVAILABLE FROM VISSMAN	
	4-Flex Pipe 35ft / 10.67m Extra Flex Pipe As Needed		4PPS-FLEX35 \$500.50	

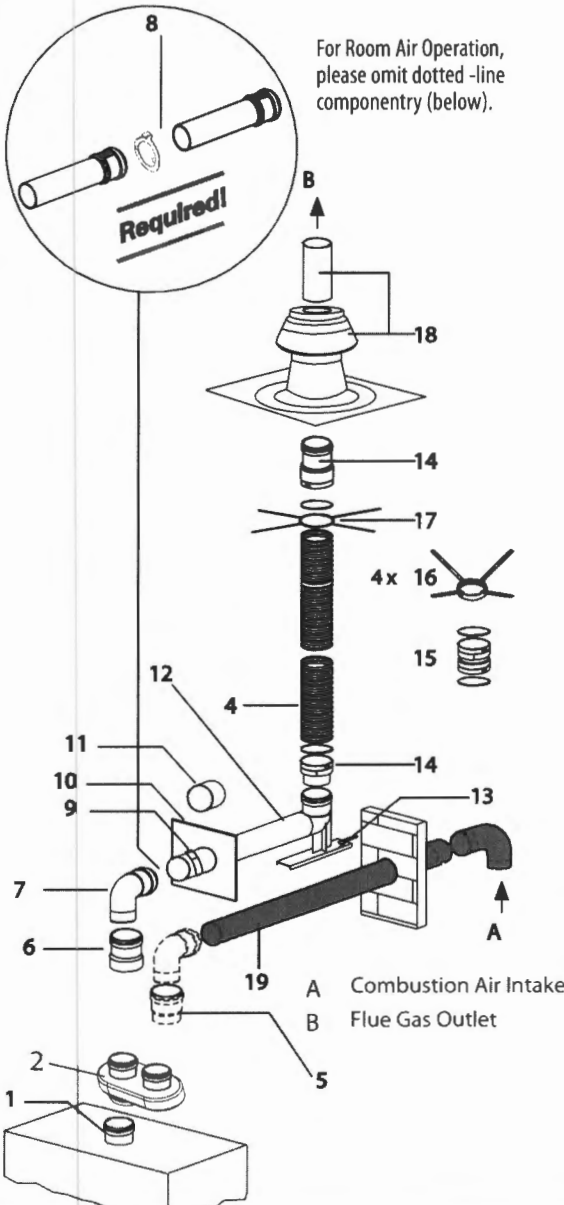
\* Boiler cannot support weight of vent system. Order 1 Wall Strap for each straight length of vent pipe installed (2 Wall Straps for each 2m straight length). Order 1 Flue Locking Band for each rigid-to-rigid joint of flue vent pipe (excluding starter/transition adaptors and base support elbow). Flue Locking Bands are optional on combustion air supply pipe if PP(s) is used.

\*\* Combustion air supply pipe may be made of the following materials: PP(s), ABS, CPVC, or PVC. CPVC Adaptor 5 is not required if using DuraVent PP(s) vent system.

» Do not include first 90° elbow in equivalent vent length calculations (this applies to all vent materials).

» A maximum of 5 x 90° elbows may be installed in the air intake and flue outlet combined; do not exceed maximum equivalent vent length.

» Always follow Viessmann venting installation instructions 5457 714.

Vent System		100	Diameter	
<b>Vertically Vented</b>	<b>Maximum Equivalent Length (EqL)</b>	<b>WB2B a+b ≤</b>	<b>-80/-105 98/30</b>	
<b>Room Air Independent Operation</b>	1-Boiler Vent Pipe Adaptor		INCLUDED WITH BOILER	
 <p>For Room Air Operation, please omit dotted-line componentry (below).</p> <p><b>Required!</b></p> <p>A Combustion Air Intake B Flue Gas Outlet</p>	2-Double-Pipe Adaptor		ONLY AVAILABLE FROM VISSMAN	
	4-Flex Pipe 35ft / 10.67m		4PPS-FLEX35 \$500.50	
	5-Adaptor CPVC 110.67mm to 4"		FIELD SUPPLIED	
	6-Adaptor 110 to 100		PPS-VSM-AD \$40.00	
	7-90° Elbow EqL = 1.6ft / 0.5m		4PPS-E90 \$26.00	
	8-Flue Locking Band* (each)		4PPS-LB \$8.84	
	9-Wall Strap* (each)		4PPS-WSM \$12.17	
	10-Wall Plate		4PPS-WP \$19.95	
	11-Mortar Sleeve*		4DFS-MS \$9.01	
	12-90° Support Elbow, Extended EqL = 4.8ft / 1.5m		4PPS-SE90X \$49.05	
	13-Chimney Support		PPS-SUP \$40.00	
	14-Adaptor Set Rigid to Flex, and flex to rigid		4PPS-FAS \$96.18	
	15-Coupling for flex pipe; Optional		4PPS-FAC \$55.97	
	16-Spacer Cross (Set of 4) keeps flex centered in masonry chimney		3PPS-S \$14.29	
	17-Flex Support Bracket Supports flex at top of masonry chimney		4PPS-FSB \$29.83	
	18-Chimney Cap with Termination Pipe		4PPS-FCT \$130.47	
	19-Combustion Air Intake Vent Material**		FIELD SUPPLIED	
	<b>Other Available Vent Pieces Not Shown in Illustration Above</b>	45° Elbow EqL = 1ft / 0.3m		4PPS-E45 \$26.00
		Straight Pipe <sup>1</sup> 3.0ft / 0.9m		4PPS-36 \$47.00
	Straight Pipe <sup>1</sup> 6.0ft / 1.8m		4PPS-72 \$68.50	

\* Boiler cannot support weight of vent system. Order 1 Wall Strap for each straight length of vent pipe installed (2 Wall Straps for each 2m straight length). Order 1 Flue Locking Band for each rigid-to-rigid joint of flue vent pipe (excluding starter/transition adaptors and base support elbow). Flue Locking Bands are optional on combustion air supply pipe if PP(s) is used.

\*\* Combustion air supply pipe may be made of the following materials: PP(s), ABS, CPVC, or PVC. CPVC Adaptor 5 is not required if using DuraVent PP(s) vent system.

» Do not include first 90° elbow in equivalent vent length calculations (this applies to all vent materials).

» A maximum of 5 x 90° elbows may be installed in the air intake and flue outlet combined; do not exceed maximum equivalent vent length.

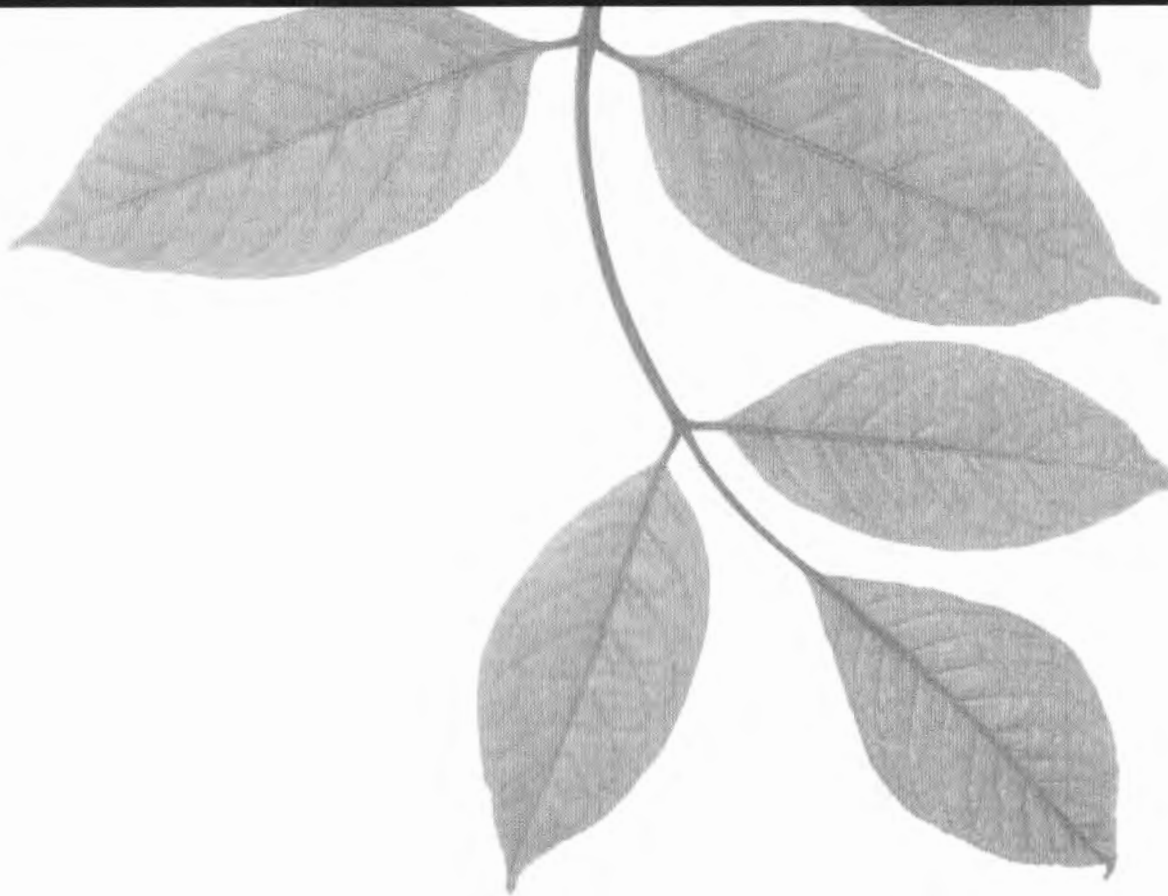
» Always follow Viessmann venting installation instructions 5457 714.



Viessmann Previous Part #	NEW DuraVent Part Number	Description	DuraVent MAP Pricing	DuraVent MSRP (ea)	Ctn Qty
7424088	2PPC-P500	SC Flue Straight Pipe 0.5m D=60/100	\$54.00	\$60.00	1
7424089	3PPC-P500	SC Flue Straight Pipe 0.5m D=80/125	\$68.63	\$76.25	1
7424090	4PPC-P500	SC Flue Straight Pipe 0.5m D=100/150	\$102.38	\$113.75	1
7424091	2PPC-P1000	SC Flue Straight Pipe 1.0m D=60/100	\$78.75	\$87.50	1
7424092	3PPC-P1000	SC Flue Straight Pipe 1.0m D=80/125	\$102.38	\$113.75	1
7424093	4PPC-P1000	SC Flue Straight Pipe 1.0m D=100/150	\$124.88	\$138.75	1
7424094	2PPC-E90	SC 90° Flue Elbow D=60/100	\$68.63	\$76.25	1
7424095	3PPC-E90	SC 90° Flue Elbow D=80/125	\$102.38	\$113.75	1
7424096	4PPC-E90	SC 90° Flue Elbow D=100/150	\$148.50	\$165.00	1
7424097	2PPC-E45	SC 45° Flue Elbow D=60/100 (Set of 2)	\$124.88	\$138.75	1
7424098	3PPC-E45	SC 45° Flue Elbow D=80/125 (Set of 2)	\$138.38	\$153.75	1
7424099	4PPC-E45	SC 45° Flue Elbow D=100/150 (Set of 2)	\$196.88	\$218.75	1
7424100	2PPC-HCT	SC Horiz. Flue Termination D=60/100	\$148.50	\$165.00	1
7424101	3PPC-HCT	SC Horiz. Flue Termination D=80/125	\$166.50	\$185.00	1
7424102	4PPC-HCT	SC Horiz. Flue Termination D=100/150	\$178.88	\$198.75	1
7424103	2PPC-VCT	SC Vertical Flue Terminal D=60/100	\$202.50	\$225.00	1
7424104	3PPC-VCT	SC Vertical Flue Terminal D=80/125	\$297.00	\$330.00	1
7424105	4PPC-VCT	SC Vertical Flue Terminal D=100/150	\$387.00	\$430.00	1
7424106	2PPC-TA	SC Sliding Coupling D=60/100	\$68.63	\$76.25	1
7424107	3PPC-TA	SC Sliding Coupling D=80/125	\$78.75	\$87.50	1
7424108	4PPC-TA	SC Sliding Coupling D=100/150	\$90.00	\$100.00	1
7424109	2PPC-WSM	SC Flue Wall Strap D=100mm	\$14.97	\$16.63	6
7424110	3PPC-WSM	SC Flue Wall Strap D=125mm	\$20.25	\$22.50	6
7424111	4PPC-WSM	SC Flue Wall Strap D=150mm	\$25.88	\$28.75	6
7424112	2PPC-X3INC	SC Flue Adapter D=60/100 to 80/125	\$102.60	\$114.00	1
7424113	2PPC-X4INC	SC Flue Adapter D=60/100 to 100/150	\$166.50	\$185.00	1
7424114	3PPC-X4INC	SC Flue Adapter D=80/125 to 100/150	\$148.50	\$165.00	1
7424115	PPC-VSM-AD	SC Flue Transition D=110/150 to 100/150	\$89.10	\$99.00	1
7424116	2PPS-LB	PPs Locking Band D=60	\$7.02	\$7.80	12
7424117	3PPS-LB	PPs Locking Band D=80	\$7.49	\$8.32	12
7424118	4PPS-LB	PPs Locking Band D=100	\$7.96	\$8.84	12
7424119	2PPC-HVKA	SC Basic Horizontal Vent Kit 60/100	\$423.00	\$470.00	1
7424120	3PPC-HVKA	SC Basic Horizontal Vent Kit 80/125	\$472.50	\$525.00	1
7424121	4PPC-HVKA	SC Basic Horizontal Vent Kit 100/150	\$625.50	\$695.00	1
7440181	3PPS-FLEX35	PPs Flex Pipe 33 ft / 10 m D=80 (35FT instead of 33ft)	\$295.32	\$328.13	1
7440182	4PPS-FLEX35	PPs Flex Pipe 33 ft / 10 m D=100	\$433.13	\$481.25	1
7440183	2PPS-X3	PPs Flue Adapter D=60 to 80	\$18.18	\$20.20	6
7440184	3PPS-X4	PPs Flue Adapter D=80 to 100	\$19.76	\$21.96	6
7440185	PPS-VSM-AD	PPs Flue Adapter D=110 to 100	\$36.00	\$40.00	6
7440186	3PPS-E90	PPs 90° Flue Elbow D=80	\$12.17	\$13.52	6
7440187	4PPS-E90	PPs 90° Flue Elbow D=100	\$23.40	\$26.00	6
	3PPS-E90B	PPs Black 90° Flue Elbow D=80	\$15.91	\$17.68	6
	4PPS-E90B	PPs Black 90° Flue Elbow D=100	\$26.21	\$29.12	6
7440188	3PPS-E45B	PPs Black 45° Flue Elbow D=80; BLACK for UV protection	\$15.91	\$17.68	6

Viessmann Previous Part #	NEW Duravent Part Number	Description	Duravent MAP Pricing	Duravent MSRP (ea)	Ctn Qty
7440189	<b>4PPS-E45B</b>	PPs Black 45° Flue Elbow D=100; BLACK for UV protection	\$26.21	\$29.12	6
7440190	<b>3PPS-12</b>	PPs Flue Straight Pipe 0.5m D=80 (12" versus 19")	\$8.19	\$9.10	6
7440191	<b>4PPS-12</b>	PPs Flue Straight Pipe 0.5m D=100 (12" versus 19")	\$19.80	\$22.00	6
	<b>3PPS-12B</b>	PPs Flue Straight Pipe 0.5m D=80 (12" versus 19"); BLACK for UV protection	\$9.36	\$10.40	6
	<b>4PPS-12B</b>	PPs Flue Straight Pipe 0.5m D=100 (12" versus 19"); BLACK for UV protection	\$21.60	\$24.00	6
7440192	<b>3PPS-36</b>	PPs Flue Straight Pipe 1.0m D=80 (12" versus 19")	\$20.59	\$22.88	6
7440193	<b>4PPS-36</b>	PPs Flue Straight Pipe 1.0m D=100 (36" versus 39")	\$42.30	\$47.00	6
7440194	<b>3DFS-MS</b>	Wall Plate D=80 c/w 0.5m Wall Sleeve (Now split as two items)	\$7.13	\$7.92	12
7440195	<b>4DFS-MS</b>	Wall Plate D=100 c/w 0.5m Wall Sleeve (Now split as two items)	\$8.11	\$9.01	12
7440198	<b>3PPS-SE90X</b>	PPs 90° Flue Support Elbow D=80 (Switched to long elbow and eliminate length of pipe)	\$37.92	\$42.13	1
7440199	<b>4PPS-SE90X</b>	PPs 90° Flue Support Elbow D=100 (Switched to long elbow and eliminate length of pipe)	\$44.15	\$49.05	1
7440200	<b>PPS-SUP</b>	Chimney Support	\$36.00	\$40.00	1
7440201	<b>3PPS-FAS</b>	PPs Flue Adapter Set D=80	\$58.06	\$64.51	1
7440202	<b>4PPS-FAS</b>	PPs Flue Adapter Set D=100	\$86.56	\$96.18	1
7440203	<b>3PPS-FAC</b>	PPs Flue Coupling D=80	\$41.59	\$46.21	6
7440204	<b>4PPS-FAC</b>	PPs Flue Coupling D=100	\$50.37	\$55.97	6
7440205	<b>3PPS-S</b>	Spacer Cross (Set of 4)	\$12.86	\$14.29	12
7440206	<b>3PPS-FSB</b>	Spacers D=80	\$27.12	\$30.13	12
7440207	<b>4PPS-FSB</b>	Spacers D=100	\$26.85	\$29.83	12
7440208	<b>3PPS-FCT</b>	PPs Chimney Cap w Termination Pipe D=80	\$99.82	\$110.91	1
7440209	<b>4PPS-FCT</b>	PPs Chimney Cap w Termination Pipe D=100	\$117.42	\$130.47	1
7457647	<b>2PPS-E90</b>	PPs 90° Flue Elbow D= 60	\$11.23	\$12.48	6
	<b>2PPS-E90B</b>	PPs 90° Flue Elbow D= 60; BLACK for UV protection	\$14.04	\$15.60	6
7457648	<b>2PPS-E45</b>	PPs 45° Flue Elbow D= 60	\$11.23	\$12.48	6
7457649	<b>2PPS-12</b>	PPs Flue Straight Pipe 0.5m D= 60 (12" versus 19")	\$7.02	\$7.80	6
	<b>2PPS-12B</b>	PPs Flue Straight Pipe 0.5m D=60 (12" versus 19"); BLACK for UV protection	\$8.42	\$9.36	6
7457650	<b>2PPS-36</b>	PPs Flue Straight Pipe 1.0m D= 60 (36" versus 39")	\$13.10	\$14.56	6
7457651	<b>2PPS-WSM</b>	Flue Wall Strap D= 60mm (unpainted)	\$9.45	\$10.50	6
7457652	<b>3PPS-WSM</b>	Flue Wall Strap D= 80mm (unpainted)	\$10.53	\$11.70	6
	<b>4PPS-WSM</b>	Flue Wall Strap D=100 (unpainted)	10.95	12.17	6
7457653	<b>2PPS-WP</b>	Wall Plate D= 60 PPs (unpainted)	\$17.96	\$19.95	12
7457654	<b>3PPS-WP</b>	Wall Plate D= 80 PPs (unpainted)	\$17.96	\$19.95	12
7457655	<b>4PPS-WP</b>	Wall Plate D=100 PPs (unpainted)	\$17.96	\$19.95	12
7457792	<b>2PPS-BG</b>	Bird Screen, S.S. 60mm (Set of 2) PPs	\$7.20	\$8.00	12
7457793	<b>3PPS-BG</b>	Bird Screen, S.S. 80mm (Set of 2) PPs	\$9.90	\$11.00	12
7457794	<b>4PPS-BG</b>	Bird Screen, S.S. 100mm (Set of 2) PPs	\$12.60	\$14.00	12
7498259	<b>2PPS-72</b>	PPs Flue Straight Pipe 2.0m D= 60 (72" versus 79")	\$18.72	\$20.80	6
7498260	<b>3PPS-72</b>	PPs Flue Straight Pipe 2.0m D= 80 (72" versus 79")	\$28.08	\$31.20	6
7498261	<b>4PPS-72</b>	PPs Flue Straight Pipe 2.0m D=100 (72" versus 79")	\$61.65	\$68.50	6
Z008659	<b>3PPS-FVKA</b>	Basic PPs Flex Vent Kit D=80	\$630.00	\$700.00	1
Z008660	<b>4PPS-FVKA</b>	Basic PPs Flex Vent Kit D=100	\$828.00	\$920.00	1
Z008661	<b>3PPS-FVKB</b>	Basic PPs Flex Vent Kit D=80	\$706.50	\$785.00	1
Z008662	<b>4PPS-FVKB</b>	Basic PPs Flex Vent Kit D=100	\$895.50	\$995.00	1
Z008663	<b>4PPS-FVKC</b>	Basic PPs Flex Vent Kit D=100	\$945.00	\$1,050.00	1

# Viessmann® Vitodens 100-W, WB1B & 200-W, WB2B Series Boilers



'LEED' and USGBC logo is a trademark owned by the U.S. Green Building Council and is used by permission.



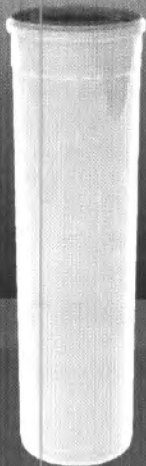
**DuraVent**  
Member of M&G Group

PolyPro® is one of M&G DuraVent's GreenVent® line of products.  
800-835-4429 [www.duravent.com](http://www.duravent.com)  
©2012 M&G DuraVent, Inc.  
L279 6/2012

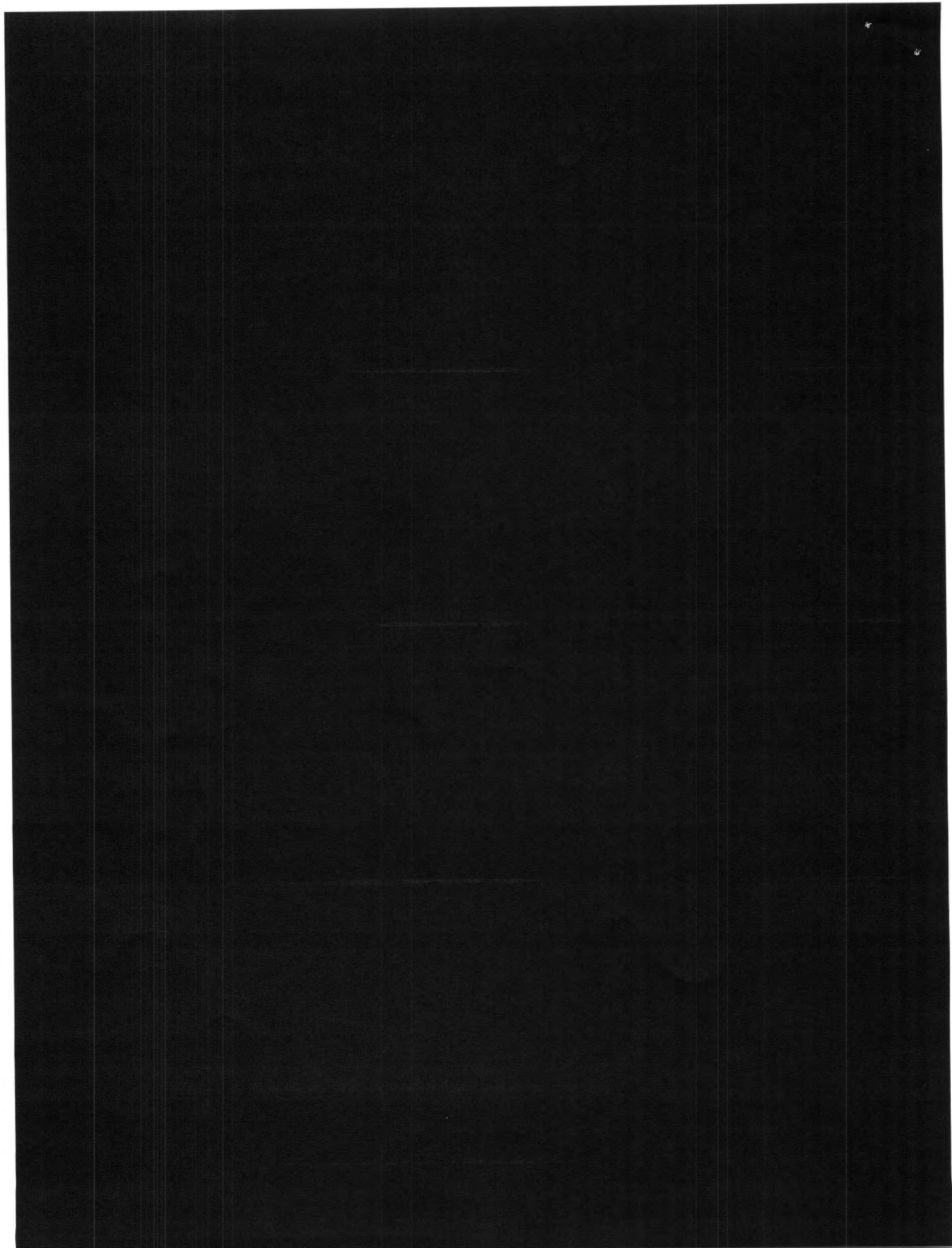
**Concentric PP flue system**

# **COAXLINE**

**CONDENSING FLUE SYSTEM**



**Coaxline Robust concentric PP-flue system for  
condensing boilers**



The most versatile concentric PP Flue system for high efficiency boilers.....	4
Benefit from the advantages of concentric flue system .....	5
<b>Coaxline Standard</b> .....	6
Coaxline Plus.....	6
<b>Roof terminals</b> .....	7
<b>Accessoires</b> .....	7
<b>Wall terminals</b> .....	8
<b>Accessoires</b> .....	8
<b>Coaxline Standard</b> <b>Ø 60-100, Ø 80-125, Ø 100-150 mm</b> .....	9
Extension .....	9
Extension telescopic .....	9
Elbows .....	9/10
Tees .....	10
Extesion with sampling points .....	10
Condensate trap .....	10
Chimney connection .....	10
Increasing adaptor .....	10
Reducing adaptor .....	10
<b>Coaxline Plus</b> <b>Ø 60-100, Ø 80-125, Ø 100-150, Ø 130-200 mm</b> .....	11
Extension .....	11
Extension shortable .....	11
Extension telescopic .....	11
Elbows .....	11/12
Tees .....	12
Extension with sampling points.....	12
Condensate trap.....	13
Chimney connection .....	13
Increasing adaptor .....	13
Reducing adaptor .....	13
Locking band.....	14
Wall bracket AL.....	14
Siphon.....	14
Siphon connection set .....	14

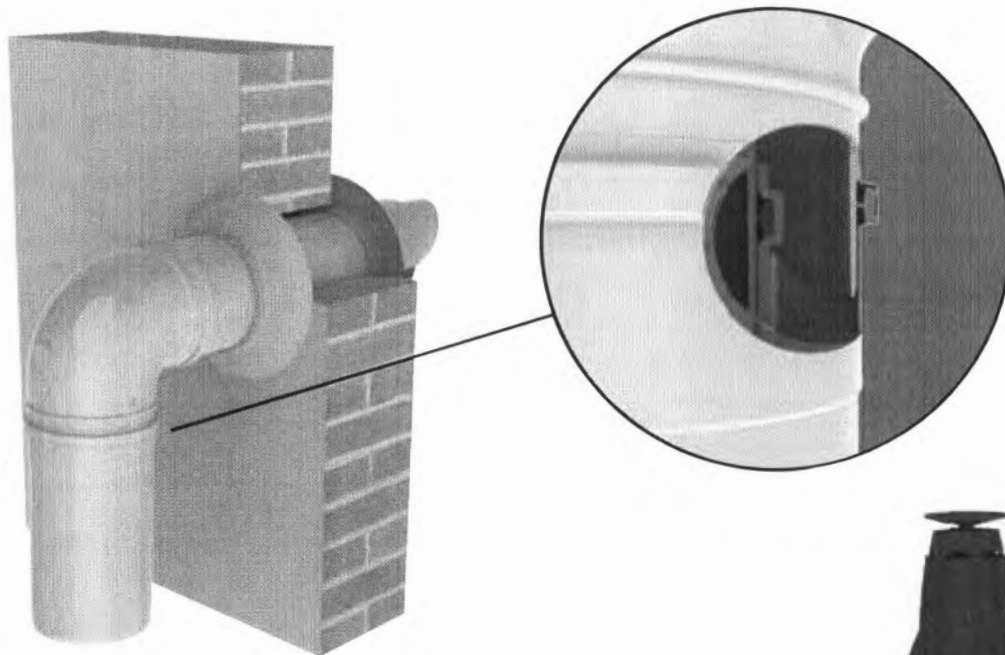
# Coaxline

## The most versatile concentric PP-flue system for condensing boiler

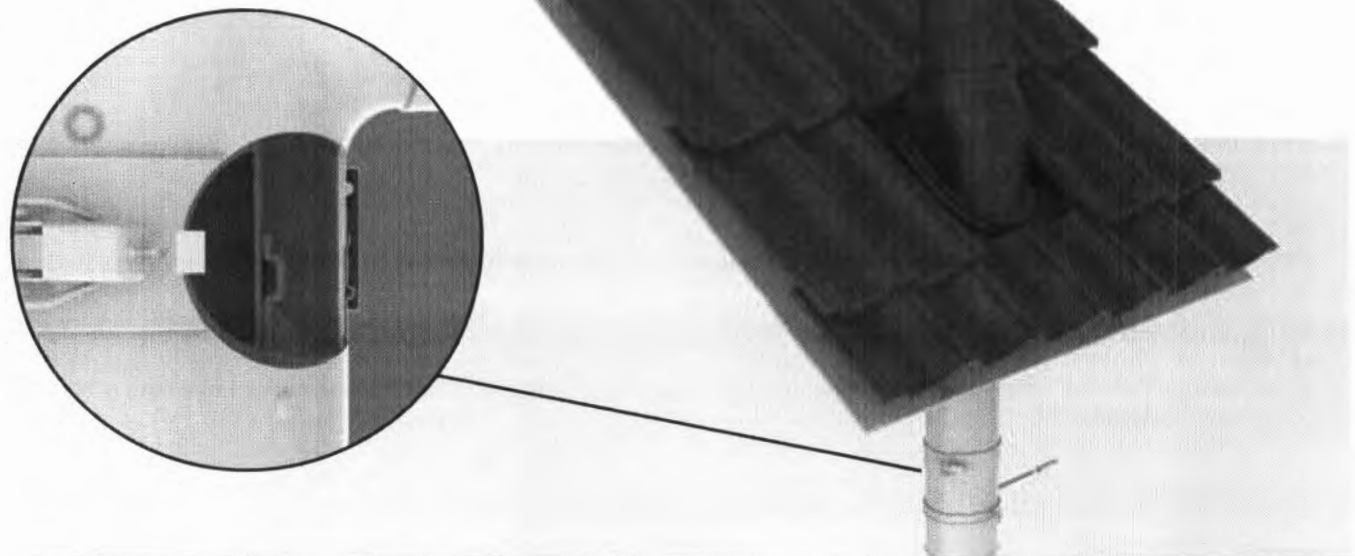
The robust, white Coaxline system is easily applicable for set-up of condensing appliances. In this way you can always benefit from the advantages of PP material and the technical/cosmetic advantages of a powder coated concentric flue system. The modular system consists of a limited number of components, to build a reliable concentric PP flue system in no-time.

The Coax line system is available in 2 versions.

Coaxline Standard system with 2 seals.



Coaxline Plus system with a locking clamp.



## Benefit from the advantage of PP material for high efficiency boilers

- **Fast:** concentric PP, simply made-to-fit and easy to install. Due to cut to length and telescopic components.
- **Safe:** The flue pipes are covered by the air intake lines.
- **Clean:** no corrosion of aluminium in the flue system, so less pollution in the high efficiency boiler.
- **Sustainable:** the high-grade pp material is condensate-resistant and tested for long-life.  
With CE and ULC approval. Inner and outer pipes are easy separatable for recycling.

## Unique benefits

First consult boiler manufacturer specifications for the correct diameters and lengths.

### Optiflow-quality, best flue discharge

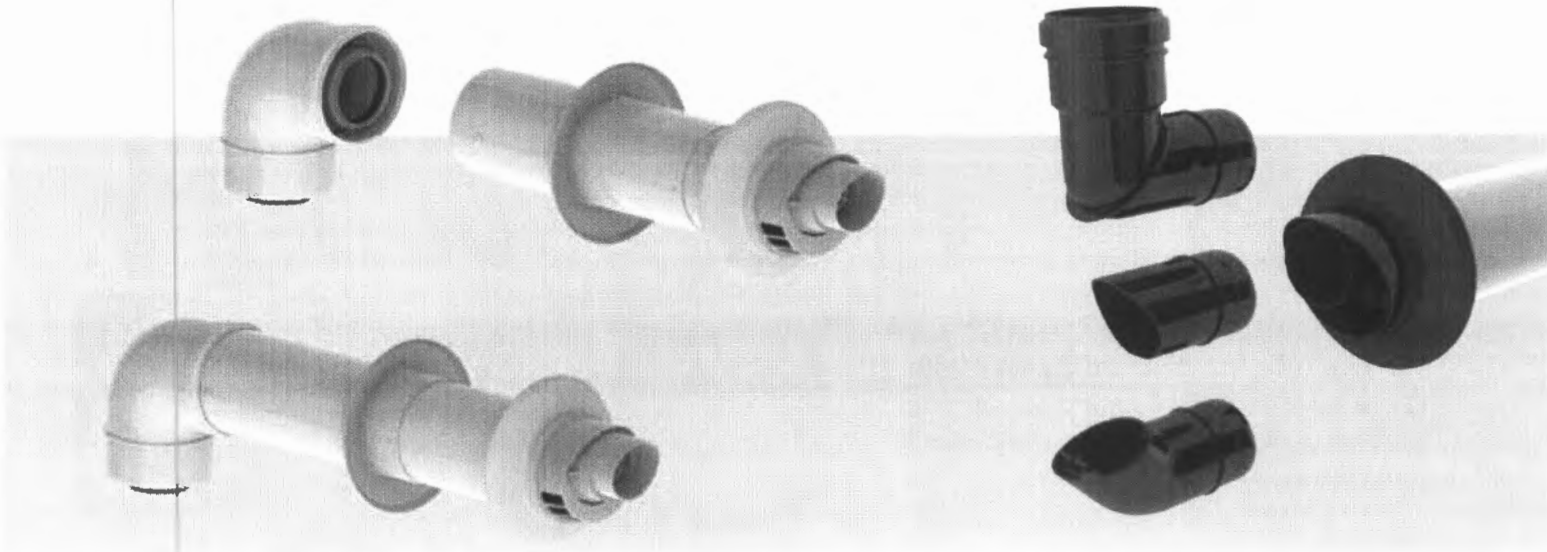
Coaxline is a modular system of high-quality injection moulded or extruded flue parts. In combination with a white powder coated ventilation pipe. This leaves the inner wall completely smooth and the flue discharge will be optimal, because it is unhampered by edges from the welding. The fact that the parts are not welded is also a guarantee for their perfect dimensional stability.

### Smart elbows, extra sustainable

Coaxline elbows do not only have a perfectly smooth inner wall, but they have been constructed in such a way that condensate cannot remain behind. All elbows are fitted with a clever discharge flume. Influence of condensate is thus prevented, which is favourable for the sustainability.

### Easy kit, quick and easy to install

A robust white coated Coaxline flue system can be installed quickly. The components are single packed or available in customized flue kits.



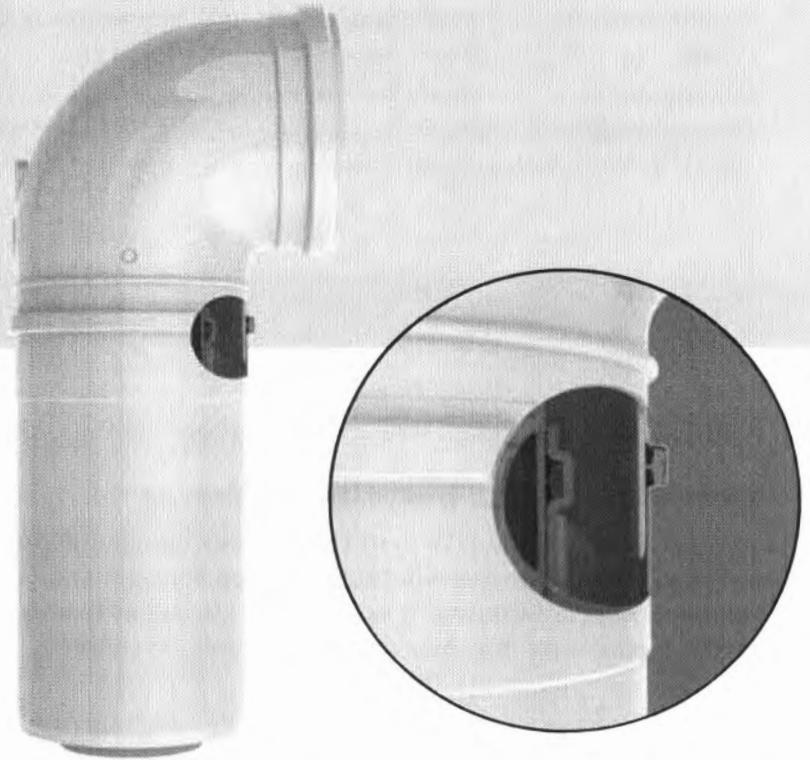


# Coaxline

## Coaxline Standard

**Outside powder coated Aluminium or galvanized steel Flue pipe.  
Innerpipe of PP with HR EPDM Seal.**

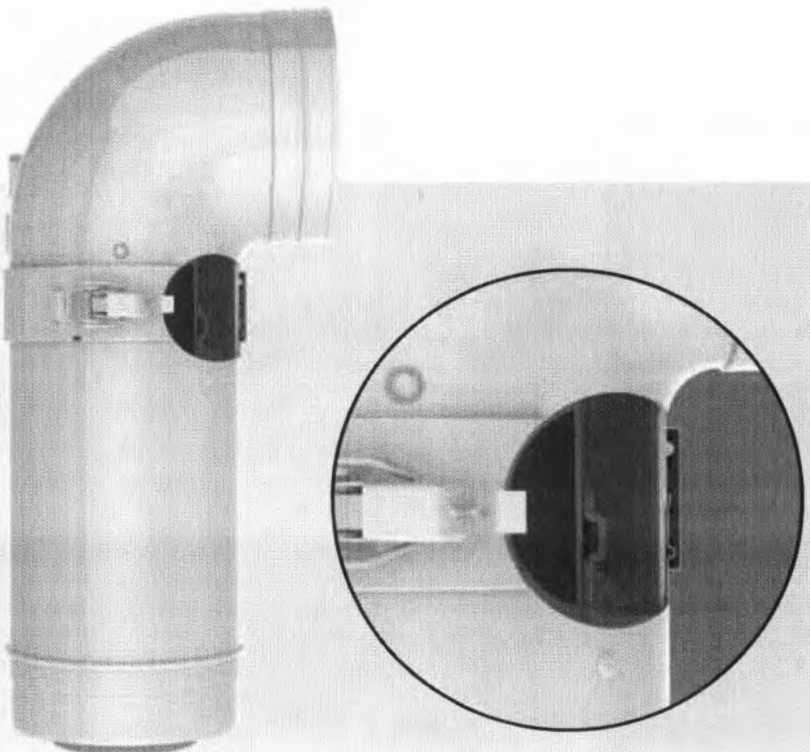
**Outer pipe sealed and connected by a EPDM seal.**



## Coaxline Plus

**Outside powder coated Aluminium or galvanized steel Flue pipe.  
Innerpipe of PP.**

**Outer pipe sealed and connected by locking band with intergrated seal.**



The Flue Lines are standard equipped with EPDM seals for Gas operating condensing appliances. For Oil operating appliances a Viton sealed system is available.

### Skyline Terminals available in Black and Terracotta

Roof Terminal Skyline PP 60/100 AR 300

Roof Terminal Skyline PP 60/100 AR 480

Roof Terminal Skyline PP 80/125 AR 300

Roof Terminal Skyline PP 80/125 AR 580

Roof Terminal Skyline PP 100/150 AR 580



### Wheaterslate steep lead 20-50°

### Wheaterslate steep non lead 20-50°

### Wheater slate steep AL 0-20°

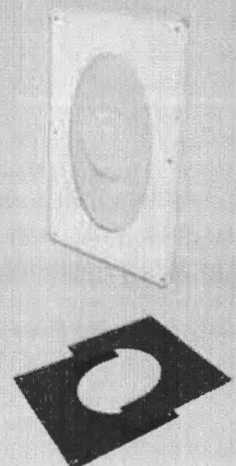
### Wheater slate Flat roof AL



## Accessories

### PP Cover plate Dn 100-125

### Galva cover plate

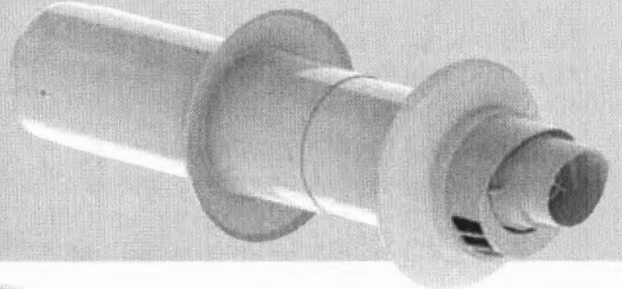


# Coaxline

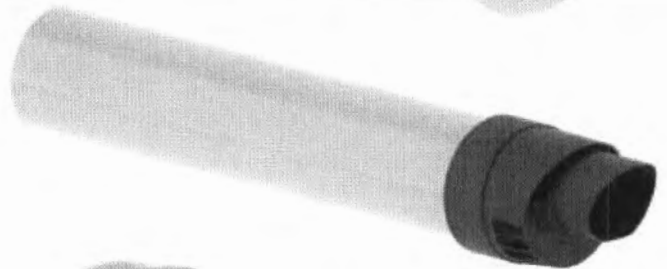
## Solutions for Wall Termination

### Wall Terminals Mugro

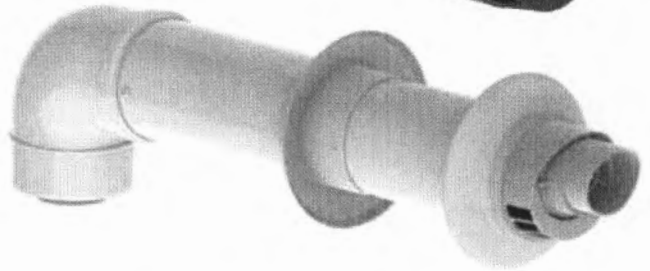
Wall Terminals Mugro 60/100 telescopic version



Wall Terminals Mugro 60/100  
Wall Terminals Mugro 80/125  
Wall Terminals Mugro 100/150



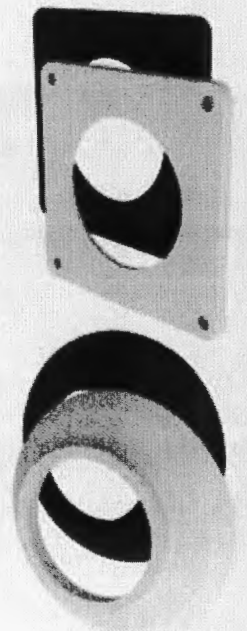
Also customised flue kits can be supplied.  
For example a telescopic wall terminal  
including 90° elbow and wall seals.



## Accessories

Wall Plates DN 100 125 150

Wall Seals DN 100 125



### PP-concentric flue system with double seal Ø 60/100, Ø 80/125, Ø 100/150 mm

#### Extension

---

Ø 60/100 mm, length 250 mm	Ø 100/150 mm, length 250 mm
Ø 60/100 mm, length 500 mm	Ø 100/150 mm, length 500 mm
Ø 60/100 mm, length 1000 mm	Ø 100/150 mm, length 1000 mm
Ø 60/100 mm, length 2000 mm	Ø 100/150 mm, length 2000 mm

Ø 80/125 mm, length 250 mm  
Ø 80/125 mm, length 500 mm  
Ø 80/125 mm, length 1000 mm  
Ø 80/125 mm, length 2000 mm

#### Extension telescopic

---

Ø 60/100 mm, length 265-405 mm  
Ø 80/125 mm, length 280-395 mm  
Ø 100/150 mm, length 280-395 mm

#### Elbow 90° Short

---

Ø 60/100 mm  
Ø 80/125 mm  
Ø 100/150 mm

#### Elbow 45° Short

---

Ø 60/100 mm  
Ø 80/125 mm

#### Elbow 45° Long

---

Ø 100/150 mm

#### Elbow 30° Long

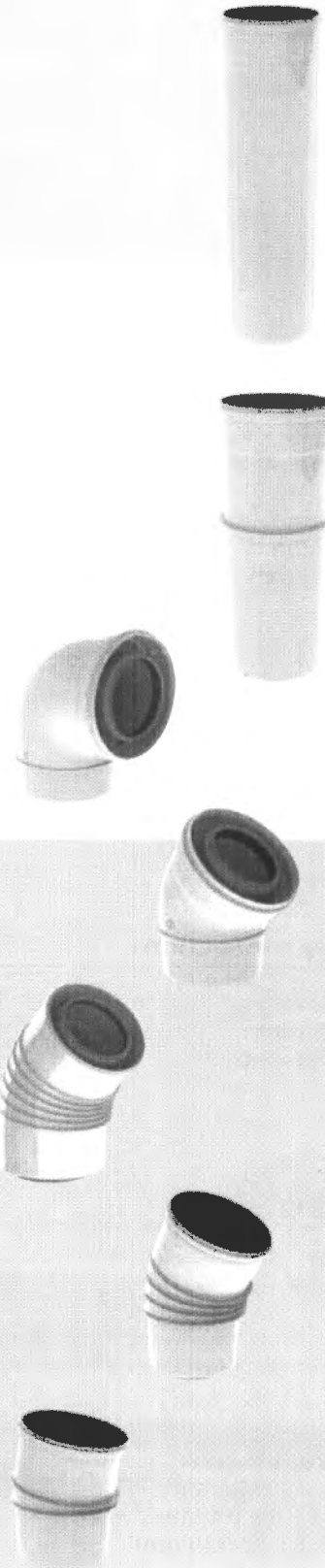
---

Ø 60/100 mm  
Ø 80/125 mm  
Ø 100/150 mm

#### Elbow 15° Long

---

Ø 60/100 mm  
Ø 80/125 mm  
Ø 100/150 mm



# Coaxline

## Coaxline Standard

### Support Elbow

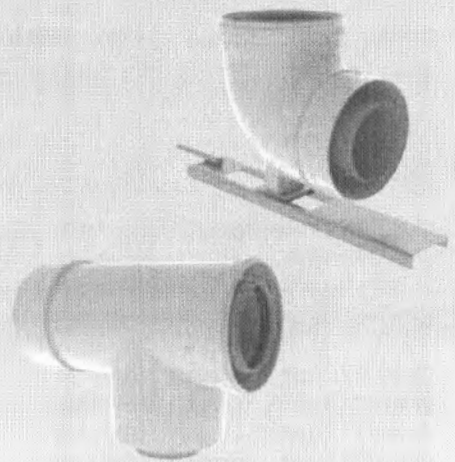
---

- Ø 60/100 mm
- Ø 80/125 mm
- Ø 100/150 mm

### Tee with cover

---

- Ø 60/100 mm
- Ø 80/125 mm
- Ø 100/150 mm



### Extension with sampling points

---

- Ø 60/100 mm
- Ø 80/125 mm
- Ø 100/150 mm

### Condensate trap

---

- Ø 60/100 mm
- Ø 80/125 mm
- Ø 100/150 mm

### Chimney connection

---

- Ø 60/100 mm
- Ø 80/125 mm
- Ø 100/150 mm

### Increasing adapter

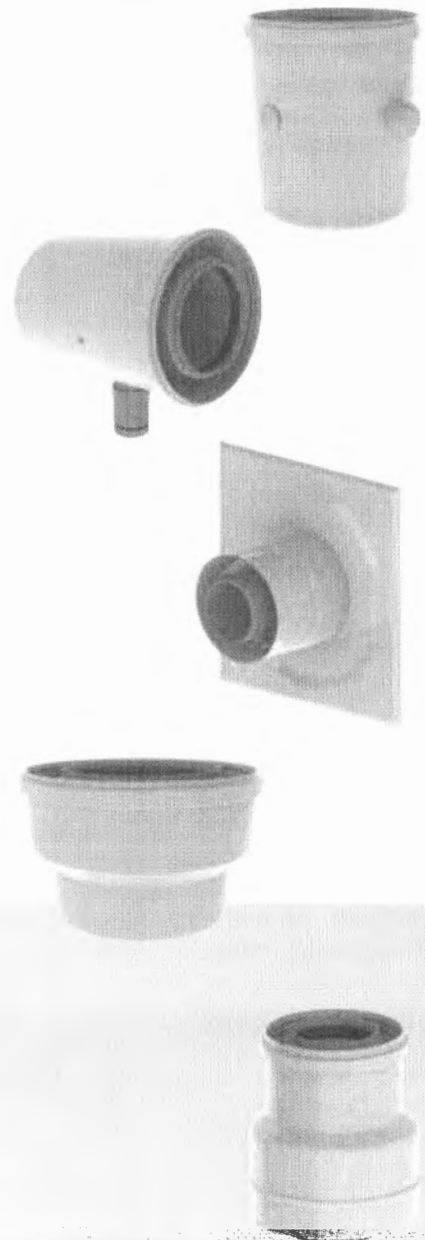
---

- Ø 60/100 – 80/125 mm
- Ø 80/125 – 100/150 mm

### Reducing adapter

---

- Ø 80/125 - 60/100 mm
- Ø 100/150 - 80/125 mm



### PP-concentric flue system with locking band Ø 60/100, Ø 80/125, Ø 100/150, Ø 130/200 mm

#### Extension

Ø 60/100 mm, length 250 mm	Ø 100/150 mm, length 250 mm
Ø 60/100 mm, length 500 mm	Ø 100/150 mm, length 500 mm
Ø 60/100 mm, length 1000 mm	Ø 100/150 mm, length 1000 mm
Ø 60/100 mm, length 2000 mm	Ø 100/150 mm, length 2000 mm
Ø 80/125 mm, length 250 mm	Ø 130/200 mm, length 500 mm
Ø 80/125 mm, length 500 mm	Ø 130/200 mm, length 1000 mm
Ø 80/125 mm, length 1000 mm	
Ø 80/125 mm, length 2000 mm	

#### Extension shortable (cut to length)

Ø 60/100 mm, length 500 mm
Ø 80/125 mm, length 500 mm
Ø 100/150 mm, length 500 mm
Ø 130/200 mm, length 500 mm

#### Extension telescopic

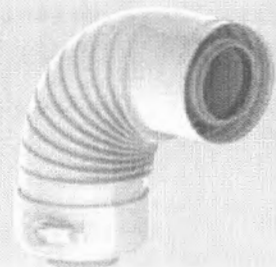
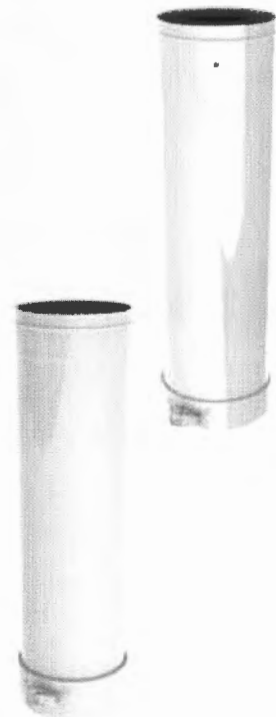
Ø 60/100 mm, length 305-445 mm
Ø 80/125 mm, length 280-395 mm
Ø 100/150 mm, length 280-395 mm

#### Elbow 90° Short

Ø 60/100 mm
Ø 80/125 mm
Ø 100/150 mm

#### Elbow 90° Long

Ø 60/100 mm
Ø 80/125 mm
Ø 100/150 mm
Ø 130/200 mm



# Coaxline

## Coaxline Plus

### Elbow 45° Short

---

Ø 60/100 mm  
Ø 80/125 mm



### Elbow 45° Long

---

Ø 60/100 mm  
Ø 80/125 mm  
Ø 100/150 mm  
Ø 130/200 mm



### Elbow 30° Long

---

Ø 60/100 mm  
Ø 80/125 mm  
Ø 100/150 mm



### Elbow 15° Long

---

Ø 60/100 mm  
Ø 80/125 mm  
Ø 100/150 mm



### Tee with cover

---

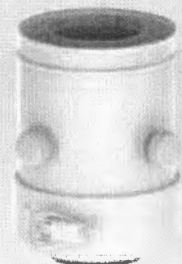
Ø 60/100 mm  
Ø 80/125 mm  
Ø 100/150 mm  
Ø 130/200 mm



### Extension with sampling points

---

Ø 60/100 mm  
Ø 80/125 mm  
Ø 100/150 mm



### Condensate trap

---

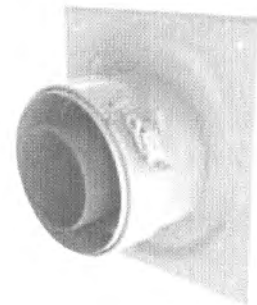
- Ø 60/100 mm
- Ø 80/125 mm
- Ø 100/150 mm
- Ø 130/200 mm



### Chimney connection

---

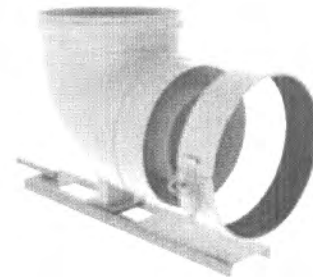
- Ø 60/100 mm
- Ø 80/125 mm
- Ø 100/150 mm



### Support Elbow 90°

---

- Ø 60/100 mm
- Ø 80/125 mm
- Ø 100/150 mm
- Ø 130/200 mm



### Increasing adapter

---

- Ø 60/100 – 80/125 mm
- Ø 80/125 – 100/150 mm
- Ø 100/150 – 130/200 mm



### Reducing adapter

---

- Ø 80/125 - 60/100 mm
- Ø 100/150 - 80/125 mm
- Ø 130/200 - 100/150 mm





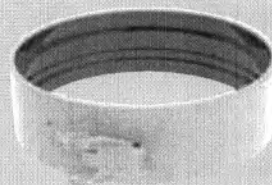
# Coaxline

## Coaxline Plus

### Locking band

---

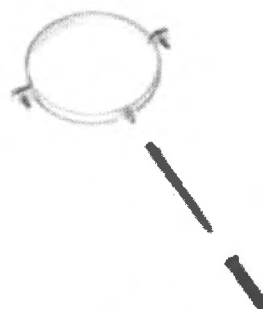
- Ø 100 mm
- Ø 125 mm
- Ø 150 mm
- Ø 200 mm



### Wall bracket AL Wit

---

- Ø 100 mm
- Ø 125 mm
- Ø 150 mm
- Ø 200 mm



### Siphon

---

PP 150 mm



### Siphon connection set

---

PP

