

**AIRTEMP INC.**  
**MECHANICAL CONTRACTORS**  
**11 WALLACE AVE.**  
**S. PORTLAND ME 04106**  
**207-774-2300**  
**207-871-1345 FAX**

**A COMFORT SYSTEMS USA COMPANY**  
**QUALITY PEOPLE – BUILDING SOLUTIONS**

**SUBMITTAL**

**JOB: EYECARE MEDICAL GROUP ADDITION**  
**DATE: 11/26/13**  
**LOCATION: 53 SEWALL ST. PORTLAND MAINE**  
**MECHANICAL CONTRACTOR: AIRTEMP INC.**  
**ENGINEER: ALLIED ENGINEERING**  
**AIRTEMP JOB NUMBER: 515**

\*\*\*\*\*

**AIRTEMP IS PLEASED TO SUBMIT THE FOLLOWING ITEMS FOR RECORD:**

**235216.3.5 CONDENSING BOILER VENTING**

**PLEASE RETURN .PDF OF REVIEWED SUBMITTALS TO US**

Viessmann® Vitodens 100-W, WB1B & 200-W, WB2B Series Boilers



Pricebook July 2012

Effective 7/2012



# DuraVent

M&G DuraVent, Inc.  
877 Cotting Ct.  
Vacaville, CA 95688

800-835-4429  
Fax: 707-446-4740

[www.duravent.com](http://www.duravent.com)

DuraVent is a member of M&G Group.

**Hours of operation California:**

Monday – Friday, 7am – 4pm PST  
800-835-4429  
Fax: 707-446-4740  
[customerservice@duravent.com](mailto:customerservice@duravent.com)

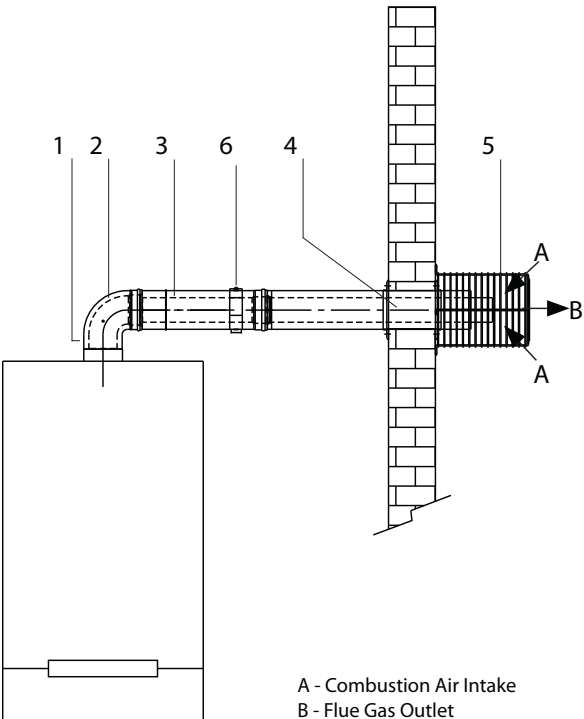
**Hours of operation New York:**

Monday – Friday, 8:30am – 5pm EST  
800-835-4429  
Fax: 518-463-5271  
[sales@duravent.com](mailto:sales@duravent.com)

DuraVent wants to provide the best product and service possible.

Brooks Sherman, President & CEO  
[president@duravent.com](mailto:president@duravent.com)



Vent System		60/100	80/125	100/150	Diameter
Horizontally Vented	Maximum Equivalent Length (EqL)	82/25	98/30	118/36	ft/m
Room Air Independent Operation   <p>A - Combustion Air Intake B - Flue Gas Outlet</p>	Basic Horizontal Vent Kit Venting pieces can be ordered individually, or as a convenient kit using the Order No. to the right; Basic Vent Kit includes one of each of the items numbered 2 to 4, and two Wall Straps 6.	2PPC-HVKA \$470.00	3PPC-HVKA \$525.00	4PPC-HVKA \$695.00	Order # Price
	1-Boiler Vent Pipe Adaptor 60/100	INCLUDED WITH BOILER			
	Adaptor, coaxial 60/100 to 80/125 (not shown)	-	2PPC-X3INC \$114.00	-	
	Adaptor, coaxial 60/100 to 100/150 (not shown)	-	-	2PPC-X4INC \$185.00	
	2-90° Elbow EqL = 1.6ft. / 0.5m	2PPC-E90 \$76.25	3PPC-E90 \$113.75	4PPC-E90 \$165.00	
	3-Straight Pipe** 3.3ft. / 1m	2PPC-P1000 \$87.50	3PPC-P1000 \$113.75	4PPC-P1000 \$138.75	
	4-Vent Termination 2.6ft. / 0.8m	2PPC-HCT \$165.00	3PPC-HCT \$185.00	4PPC-HCT \$198.75	
	5-Protective Screen*	ONLY AVAILABLE FROM VISSMANN			
	6-Wall Strap**(each)	2PPC-WSM \$16.63	3PPC-WSM \$22.50	4PPC-WSM \$28.75	
	Other Available Vent Pieces Not Shown In Illustration Above	Sliding Coupling 1.25ft. / 0.4m	2PPC-TA \$76.25	3PPC-TA \$87.50	4PPC-TA \$100.00
	Straight Pipe** 1.6ft. / 0.5m	2PPC-P500 \$60	3PPC-P500 \$76.25	4PPC-P500 \$113.75	
	45° Elbow (Set of 2) EqL = 1.0ft. / 0.3m	2PPC-E45 \$138.75	3PPC-E45 \$153.75	4PPC-E45 \$218.75	

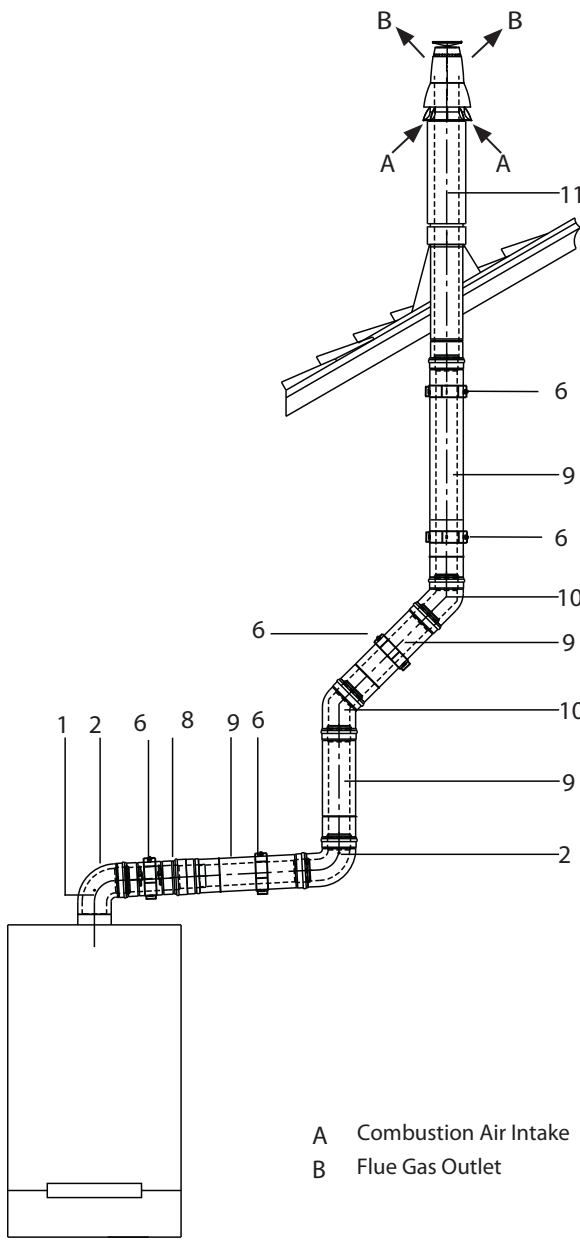
\* PP(s) coaxial vent material must be ULCS-636 certified for Category IV boilers. Do not mix non-ULCS-636 with ULCS-636 venting. Side wall venting installation must include Viessmann Protective Screen!

\*\* Order 1 Wall Strap for each straight length of vent pipe installed.

» Do not include first 90° elbow in equivalent vent length calculations (this applies to all vent materials).

» A maximum of 5 elbows may be installed in the vent system; do not exceed maximum equivalent vent length.

» ALL PIPE SECTIONS MUST BE PROPERLY ASSEMBLED AND SUPPORTED. ADEQUATE SLOPE MUST ALSO BE INCORPORATED INTO ALL HORIZONTAL VENT RUNS TO ENSURE DRAINAGE OF CONDENSATES. PRIOR TO BEGINNING AN INSTALLATION, BE SURE TO READ VISSMANN VENTING INSTRUCTIONS CAREFULLY.

Vent System		60/100	80/125	100/150	Diameter
Vertically Vented	Maximum Equivalent Length (EqL)	82/25	98/30	118/36	ft/m
Room Air Independent Operation  	1-Boiler Vent Pipe Adaptor 60/100	INCLUDED WITH BOILER			Order # Price
	Adaptor, coaxial 60/100 to 80/125 not shown	-	2PPC-X3INC \$114.00	-	
	Adaptor, coaxial 60/100 to 100/150 not shown	-	-	2PPC-X4INC \$185.00	
	2-90° Elbow EqL = 1.6ft. / 0.5m	2PPC-E90 \$76.25	3PPC-E90 \$113.75	4PPC-E90 \$165.00	
	6-Wall Strap**(each)	2PPC-WSM \$16.63	3PPC-WSM \$22.50	4PPC-WSM \$28.75	
	8-Sliding Coupling 1.25ft. / 0.4m	2PPC-TA \$76.25	3PPC-TA \$87.50	4PPC-TA \$100.00	
	9-Straight Pipe**( each) 1.6ft. / 0.5m	2PPC-P500 \$60.00	3PPC-P500 \$76.25	4PPC-P500 \$113.75	
	Straight Pipe**( each) 3.3ft. / 1m	2PPC-P1000 \$87.50	3PPC-P1000 \$113.75	4PPC-P1000 \$138.75	
	10-45° Elbow (Set of 2) EqL = 1ft. / 0.3m	2PPC-E45 \$138.75	3PPC-E45 \$153.75	4PPC-E45 \$218.75	
	11-Vent Termination 3.9ft. / 1.2m	2PPC-VCT \$225.00	3PPC-VCT \$330.00	4PPC-VCT \$430.00	
	12-Roof Flashing and Storm Collar (B-Vent material or better) not shown	FIELD SUPPLIED			

\* PP(s) coaxial vent material must be ULC S-636 certified for Category IV boilers. Do not mix non-ULC S-636 with ULC S-636 venting. Side wall venting installation must include Viessmann Protective Screen!

\*\* Order 1 Wall Strap for each straight length of vent pipe installed.

» Do not include first 90° elbow in equivalent vent length calculations (this applies to all vent materials).

» A maximum of 5 elbows may be installed in the vent system; do not exceed maximum equivalent vent length.

» ALL PIPE SECTIONS MUST BE PROPERLY ASSEMBLED AND SUPPORTED. ADEQUATE SLOPE MUST ALSO BE INCORPORATED INTO ALL HORIZONTAL VENT RUNS TO ENSURE DRAINAGE OF CONDENSATES. PRIOR TO BEGINNING AN INSTALLATION, BE SURE TO READ VISSMANN VENTING INSTRUCTIONS CAREFULLY.

Vent System		60	80	100	Diameter
Horizontally Vented	Maximum Equivalent Length (EqL)	WB1B a+b ≤ -26/-35 86/31	-26/-35 164/50	-26/-35 200/61	ft/m
Room Air Independent Operation	1-Boiler Vent Pipe Adaptor	INCLUDED WITH BOILER			Order # Price
	3-Adaptor, 60 to 80 not shown	-	2PPS-X3 \$20.20	2PPS-X3 \$20.20	
	Adaptor, 80 to 100 not shown	-	-	3PPS-X4 \$21.96	
	4-90° Elbow EqL = 1.6ft. / 0.5m	2PPS-E90 \$12.48	3PPS-E90 \$13.52	4PPS-E90 \$26.00	
	5-45° Elbow EqL = 1ft. / 0.3m not shown	2PPS-E45B \$12.48	3PPS-E45B \$13.52	4PPS-E45B \$26.00	
	6-Flue Locking Band* (each)	2PPS-LB \$7.80	3PPS-LB \$8.32	4PPS-LB \$8.84	
	7-Wall Strap* (each)	2PPS-WSM \$10.09	3PPS-WSM \$10.92	4PPS-WSM \$12.17	
	8-Straight Pipe* (each) 1.0ft. / 0.3m	2PPS-12 \$7.80	3PPS-12 \$9.10	4PPS-12 \$22.00	
	Straight Pipe, Black* (each) 1.0ft / 0.3m Use Black UV pipe for external applications	2PPS-12B \$9.36	3PPS-12B \$10.40	4PPS-12B \$24.00	
	Straight Pipe* (each) 3.0ft. / 0.9m	2PPS-36 \$14.56	3PPS-36 \$22.88	4PPS-36 \$47.00	
	Straight Pipe* (each) 6.0ft. / 1.8m	2PPS-72 \$20.80	3PPS-72 \$31.20	4PPS-72 \$68.50	
	9-Wall Plate for PP(s)	2PPS-WP \$19.95	3PPS-WP \$19.95	4PPS-WP \$19.95	
	* If installing ABS, CPVC, or PVC for combustion air supply pipe, use:  10-Adaptor, CPVC** 60mm to 2" 2" to 3" or 2" to 4" not shown	FIELD SUPPLIED			
	11-Bird Screen (Set of 2) for PP(s)	2PPS-BG \$8.00	3PPS-BG \$11.00	4PPS-BG \$14.00	

\* Boiler cannot support weight of vent system. Order 1 Wall Strap for each straight length of vent pipe installed (2 Wall Straps for each 2m straight length). Order 1 Flue Locking Band for each joint of flue vent pipe (excluding termination elbow(s)). Flue Locking Bands are optional on combustion air supply pipe if PP(s) is used.

\*\* Combustion air supply pipe may be made of the following materials: PP(s), ABS, CPVC, or PVC. CPVC Adaptor 10 is not required if using DuraVent PP(s) vent system.

» Do not include first 90° elbow in equivalent vent length calculations (this applies to all vent materials).

» A maximum of 5 x 90° elbows may be installed in the air intake and flue outlet combined; do not exceed maximum equivalent vent length.

» ALL PIPE SECTIONS MUST BE PROPERLY ASSEMBLED AND SUPPORTED. ADEQUATE SLOPE MUST ALSO BE INCORPORATED INTO ALL HORIZONTAL VENT RUNS TO ENSURE DRAINAGE OF CONDENSATES. PRIOR TO BEGINNING AN INSTALLATION, BE SURE TO READ VISSMANN VENTING INSTRUCTIONS CAREFULLY.

» USE UV BLACK COMPONENTS FOR EXTERNAL APPLICATIONS

Vent System		60	80	100	Diameter
Vertically Vented	Maximum Equivalent Length (EqL)	WB1B a+b ≤ -26/-35 86/31	-26/-35 164/50	-26/-35 200/61	ft/m
	1-Boiler Vent Pipe Adaptor	INCLUDED WITH BOILER			Order # Price
	3-Adaptor, 60 to 80 not shown	-	2PPS-X3 \$20.20	2PPS-X3 \$20.20	
	Adaptor, 80 to 100 not shown	-	-	3PPS-X4 \$21.96	
	4-90° Elbow EqL = 1.6ft. / 0.5m	2PPS-E90 \$12.48	3PPS-E90 \$13.52	4PPS-E90 \$26.00	
	90° Elbow, Black EqL = 1.6ft. / 0.5m	2PPS-E90B \$15.60	3PPS-E90B \$17.68	4PPS-E90B \$29.12	
	6-Flue Locking Band* (each)	2PPS-LB \$7.80	3PPS-LB \$8.32	4PPS-LB \$8.84	
	7-Wall Strap* (each)	2PPS-WSM \$10.09	3PPS-WSM \$10.92	4PPS-WSM \$12.17	
	8-Straight Pipe* (each) 1.0ft. / 0.3m	2PPS-12 \$7.80	3PPS-12 \$9.10	4PPS-12 \$22.00	
	Straight Pipe, Black* (each) 1.0ft / 0.3m Use Black UV pipe for external applications	2PPS-12B \$9.36	3PPS-12B \$10.40	4PPS-12B \$24.00	
	Straight Pipe* (each) 3.0ft. / 0.9m	2PPS-36 \$14.56	3PPS-36 \$22.88	4PPS-36 \$47.00	
	Straight Pipe* (each) 6.0ft. / 1.8m	2PPS-72 \$20.80	3PPS-72 \$31.20	4PPS-72 \$68.50	
	9-Wall Plate for PP(s) not shown	2PPS-WP \$19.95	3PPS-WP \$19.95	4PPS-WP \$19.95	
	* If installing ABS, CPVC, or PVC for combustion air supply pipe, use:	FIELD SUPPLIED			
	10-Adaptor, CPVC** 60mm to 2" 2" to 3" or 2" to 4" not shown	FIELD SUPPLIED			
Roof Flashing and Storm Collar	FIELD SUPPLIED				
11-Bird Screen (Set of 2) for PP(s)	2PPS-BG \$8.00	3PPS-BG \$11.00	4PPS-BG \$14.00		

\* Boiler cannot support weight of vent system. Order 1 Wall Strap for each straight length of vent pipe installed (2 Wall Straps for each 2m straight length). Order 1 Flue Locking Band for each joint of flue vent pipe (excluding termination elbow(s)). Flue Locking Bands are optional on combustion air supply pipe if PP(s) is used.

\*\* Combustion air supply pipe may be made of the following materials: PP(s), ABS, CPVC, or PVC. CPVC Adaptor 10 is not required if using DuraVent PP(s) vent system.

» Do not include first 90° elbow in equivalent vent length calculations (this applies to all vent materials).

» A maximum of 5 x 90° elbows may be installed in the air intake and flue outlet combined; do not exceed maximum equivalent vent length.

» ALL PIPE SECTIONS MUST BE PROPERLY ASSEMBLED AND SUPPORTED. ADEQUATE SLOPE MUST ALSO BE INCORPORATED INTO ALL HORIZONTAL VENT RUNS TO ENSURE DRAINAGE OF CONDENSATES. PRIOR TO BEGINNING AN INSTALLATION, BE SURE TO READ VIESSMANN VENTING INSTRUCTIONS CAREFULLY.

» USE UV BLACK COMPONENTS FOR EXTERNAL APPLICATIONS



Vent System		80	100	Diameter
Vertically Vented	Maximum Equivalent Length (EqL)	WB1B a+b ≤ -26/-35 123/37	-26/-35 150/46	ft/m
Room Air Independent Operation 	Basic Chimney Vent Kit Venting pieces can be ordered individually, or as a convenient kit using the Order No. to the right; Basic Chimney Vent Kit includes one of each of the items numbered 3 to 18 (excluding itemd 5 & 15). Refer to next page.	3PPS-FVKA \$700.00	4PPS-FVKA \$920.00	Order # Price
	1-Boiler Vent Pipe Adaptor - Included with the appliance	INCLUDED WITH BOILER		
	Flex Pipe, 35ft / 10.67m Additional flex as required.	3PPS-FLEX35 \$341.26	4PPS-FLEX35 \$500.50	

\* Boiler cannot support weight of vent system. Order 1 Wall Strap for each straight length of vent pipe installed (2 Wall Straps for each 2m straight length). Order 1 Flue Locking Band for each rigid-to-rigid joint of flue vent pipe (excluding starter/transition adaptors and base support elbow). Flue Locking Bands are optional on combustion air supply pipe if PP(s) is used.

\*\* Combustion air supply pipe may be made of the following materials: PP(s), ABS, CPVC, or PVC. CPVC Adaptor 5 is not required if using DuraVent PP(s) vent system.

» Do not include first 90° elbow in equivalent vent length calculations (this applies to all vent materials).

» A maximum of 5 x 90° elbows may be installed in the air intake and flue outlet combined; do not exceed maximum equivalent vent length.

» Always follow Viessmann venting installation instructions 5457 714.

Vent System		80	100	Diameter	
Vertically Vented	Maximum Equivalent Length (EqL)	WB1B a+b ≤	-26/-35 123/37	-26/-35 150/46	ft/m
Room Air Independent Operation 	1-Boiler Vent Pipe Adaptor	INCLUDED WITH BOILER		Order # Price	
	3-Flex Pipe, 35ft / 10.67m	3PPS-FLEX35 \$328.13	4PPS-FLEX35 \$481.25		
	5-Adaptor, CPVC 60mm to 2" 2" to 3" or 2" to 4" not shown	FIELD PROVIDED			
	6-Adaptor, 60 to 80	2PPS-X3 \$20.20	2PPS-X3 \$20.20		
	Adaptor, 80 to 100 not shown	-	3PPS-X4 \$21.96		
	7-90° Elbow EqL = 1.6ft. / 0.5m	3PPS-E90 \$13.52	4PPS-E90 \$26.00		
	8-Flue Locking Band* (each)	3PPS-LB \$8.32	4PPS-LB \$8.84		
	9-Wall Strap* (each)	3PPS-WSM \$10.92	4PPS-WSM \$12.17		
	10-Wall Plate	3PPS-WP \$19.95	4PPS-WP \$19.95		
	11-Mortar Sleeve*	3DFS-MS \$7.92	4DFS-MS \$9.01		
	12-90° Support Elbow, Extended EqL = 4.8ft. / 1.5m	3PPS-SE90X \$42.13	4PPS-SE90X \$49.05		
	13-Chimney Support	PPS-SUP \$40.00			
	14-Adaptor Set, rigid to flex, and flex to rigid	3PPS-FAS \$64.51	4PPS-FAS \$96.18		
	15-Coupling, for flex pipe; Optional	3PPS-FAC \$46.21	4PPS-FAC \$55.97		
	16-Spacer Cross (Set of 4) keeps flex centered in masonry chimney	3PPS-S \$14.29			
	17-Flex Support Bracket Supports flex at top of masonry chimney	3PPS-FSB \$30.13	4PPS-FSB \$29.83		
	18-Chimney Cap with Termination Pipe	3PPS-FCT \$110.91	4PPS-FCT \$130.47		
	19-Combustion Air Intake Vent Material ***	FIELD PROVIDED			
	Other Available Vent Pieces Not Shown In Illustration Above	45° Elbow EqL = 1ft. / 0.3m	3PPS-E45 \$13.52		4PPS-E45 \$26.00
	Straight Pipe* (each) 3.0ft. / 0.9m	3PPS-36 \$22.88	4PPS-36 \$47.00		
	Straight Pipe* (each) 6.0ft. / 1.8m	3PPS-72 \$31.20	4PPS-72 \$68.50		

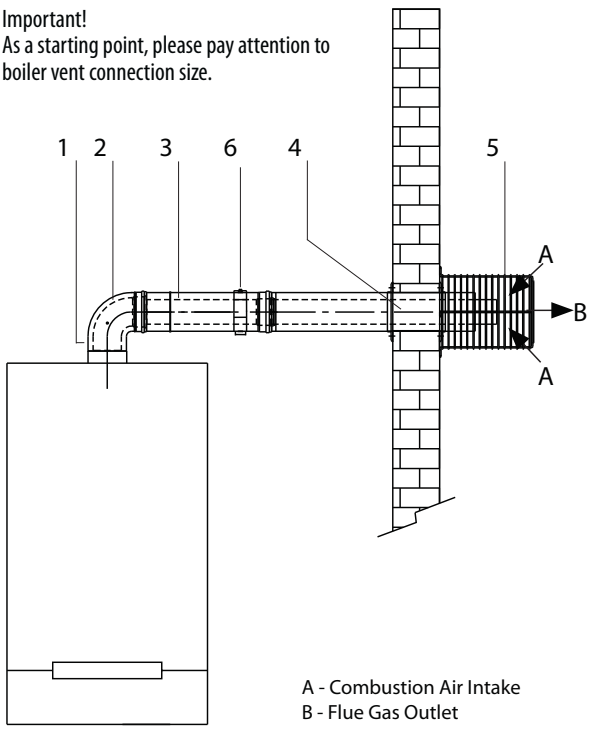
\* Boiler cannot support weight of vent system. Order 1 Wall Strap for each straight length of vent pipe installed (2 Wall Straps for each 2m straight length). Order 1 Flue Locking Band for each rigid-to-rigid joint of flue vent pipe (excluding starter/transition adaptors and base support elbow). Flue Locking Bands are optional on combustion air supply pipe if PP(s) is used.

\*\* Combustion air supply pipe may be made of the following materials: PP(s), ABS, CPVC, or PVC. CPVC Adaptor 5 is not required if using DuraVent PP(s) vent system.

» Do not include first 90° elbow in equivalent vent length calculations (this applies to all vent materials).

» A maximum of 5 x 90° elbows may be installed in the air intake and flue outlet combined; do not exceed maximum equivalent vent length.

» Always follow Viessmann venting installation instructions 5457 714.

Vent System		60/100	80/125	100/150	Diameter	
Horizontally Vented	Maximum Equivalent Length (EqL)	WB2B	-19/-26 33/10	-19/-26 43/13	-19/-26 52/16	ft/m
		WB2B	-35 26/8	-35 36/11	-35 49/15	
		WB2B	-	-45/-60 33/10	-45/-105 43/13	
Room Air Independent Operation	Basic Horizontal Vent Kit	2PPC-HVKA \$470.00	3PPC-HVKA \$525.00	4PPC-HVKA \$695.00	Order # Price	
<p><b>Important!</b> As a starting point, please pay attention to boiler vent connection size.</p>  <p>A - Combustion Air Intake B - Flue Gas Outlet</p>	Venting pieces can be ordered individually, or as a convenient kit, using the Order No. to the right; Basic Vent Kit includes one of each of the items number 1 to 4, and two Wall Straps 6.					
	Boiler Vent Pipe Adapter	INCLUDED WITH BOILER				
	1-Flue Transition 110/150 to 100/150 only not shown - required WB2B 80/105	-	-	PPC-VSM-AD \$99.00		
	Adaptor, Coaxial 60/100 to 80/125 not shown - only for WB2B 19/26/35	-	2PPC-X3INC \$114.00	-		
	Adaptor, coaxial 60/100 to 100/150 not shown - only for WB2B 19/26/35	-	-	2PPC-X4INC \$185.00		
	Adaptor, coaxial 80/125 to 100/150 not shown - only for WB2B 45/60	-	-	3PPC-X4INC \$165.00		
	2-90° Elbow EqL = 1.6ft / 0.5m	2PPC-E90 \$76.25	3PPC-E90 \$113.75	4PPC-E90 \$165.00		
	3-Straight Pipe** 3.3ft. / 1m	2PPC-P1000 \$87.50	3PPC-P1000 \$113.75	4PPC-P1000 \$138.75		
	4-Vent Termination 2.6ft / 0.8m	2PPC-HCT \$165.00	3PPC-HCT \$185.00	4PPC-HCT \$198.75		
	5-Protective Screen*	ONLY AVAILABLE FROM VISSMAN				
6-Wall Strap** (each)	2PPC-WSM \$16.63	3PPC-WSM \$22.50	4PPC-WSM \$28.75			
Other Available Vent Pieces Not Shown In Illustration Above	Sliding Coupling 1.25ft / 0.4m	2PPC-TA \$76.25	3PPC-TA \$87.50	4PPC-TA \$100.00		
	Straight Pipe** 1.6ft / 0.5m	2PPC-P500 \$60.00	3PPC-P500 \$76.25	4PPC-P500 \$113.75		
	45° Elbow (Set of 2) EqL = 1.0ft / 0.3m	2PPC-E45 \$138.75	3PPC-E45 \$153.75	4PPC-E45 \$218.75		

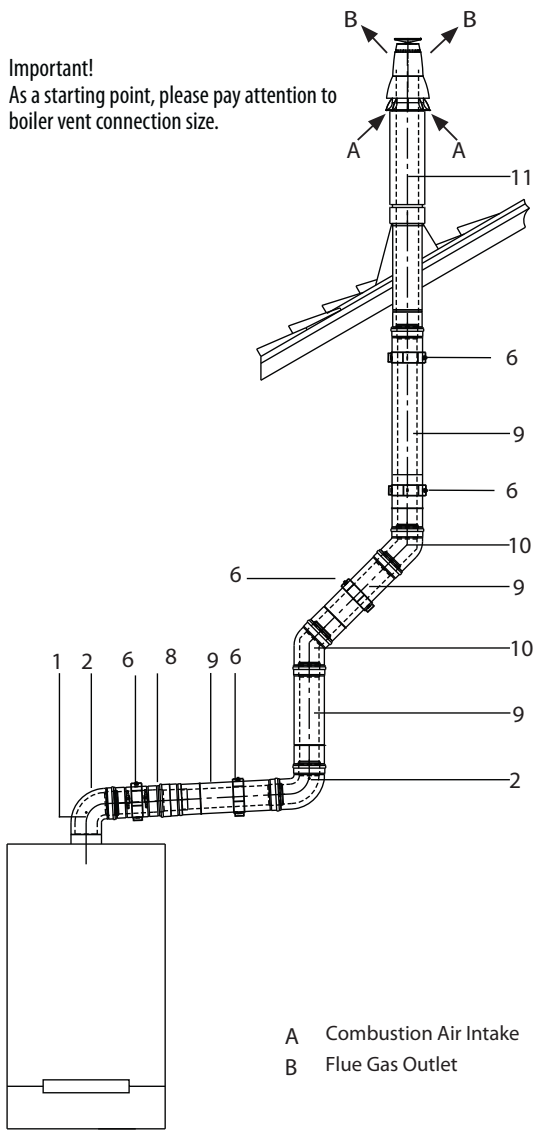
\* PP(s) coaxial vent material must be ULC S-636 certified for Category IV boilers. Do not mix non-ULC S-636 with ULC S-636 venting. Side wall venting installation must include Viessmann Protective Screen!

\*\* Order 1 Wall Strap for each straight length of vent pipe installed.

» Do not include first 90° elbow in equivalent vent length calculations (this applies to all vent materials).

» A maximum of 5 elbows may be installed in the vent system; do not exceed maximum equivalent vent length.

» ALL PIPE SECTIONS MUST BE PROPERLY ASSEMBLED AND SUPPORTED. ADEQUATE SLOPE MUST ALSO BE INCORPORATED INTO ALL HORIZONTAL VENT RUNS TO ENSURE DRAINAGE OF CONDENSATES. PRIOR TO BEGINNING AN INSTALLATION, BE SURE TO READ VISSMAN VENTING INSTRUCTIONS CAREFULLY.

Vent System		60/100	80/125	100/150	Diameter	
Vertically Vented	Maximum Equivalent Length (EqL)	WB2B	-19/-26 30/9	-19/-26 39/12	-19/-26 52/16	ft/m
		WB2B	-35 23/7	-35/-45 33/10	-35 49/15	
		WB2B	-	-60 20/6	-45 43/13	
		WB2B	-	-	-60 33/10	
		WB2B	-	-	-80/-105 43/13	
Room Air Independent Operation	Boiler Vent Pipe Adapter	INCLUDED WITH BOILER			Order # Price	
<p><b>Important!</b> As a starting point, please pay attention to boiler vent connection size.</p>  <p>A Combustion Air Intake B Flue Gas Outlet</p>	1-Flue Transition 110/150 to 100/150 only not shown - required WB2B 80/105	-	-	PPC-VSM-AD \$99.00		
	Adaptor, coaxial 60/100 to 80/125 not shown - only for WB2B 19/26/35	-	2PPC-X3INC \$114.00	-		
	Adaptor, coaxial 60/100 to 100/150 not shown - only for WB2B 19/26/35	-	-	2PPC-X4INC \$185.00		
	Adaptor, coaxial 80/125 to 100/150 not shown - only for WB2B 45/60	-	-	3PPC-X4INC \$165.00		
	2-90° Elbow EqL = 1.6ft / 0.5m	2PPC-E90 \$76.25	3PPC-E90 \$113.75	4PPC-E90 \$165.00		
	6-Wall Strap** (each)	2PPC-WSM \$16.63	3PPC-WSM \$22.50	4PPC-WSM \$28.75		
	8-Sliding Coupling 1.25 ft / 0.4m	2PPC-TA \$76.25	3PPC-TA \$87.50	4PPC-TA \$100.00		
	9-Straight Pipe** 1.6ft / 0.5m	2PPC-P500 \$60.00	3PPC-P500 \$76.25	4PPC-P500 \$113.75		
	Straight Pipe** 3.3ft / 1m	2PPC-P1000 \$87.50	3PPC-P1000 \$113.75	4PPC-P1000 \$138.75		
	10-45° Elbow (Set of 2) EqL = 1.0ft / 0.3m	2PPC-E45 \$138.75	3PPC-E45 \$153.75	4PPC-E45 \$218.75		
	11-Vent Termination 3.9 ft / 1.2 m	2PPC-VCT \$225.00	3PPC-VCT \$330.00	4PPC-VCT \$430.00		
	12-Roof Flashing and Storm Collar (B-Vent material or better) not shown	FIELD SUPPLIED				

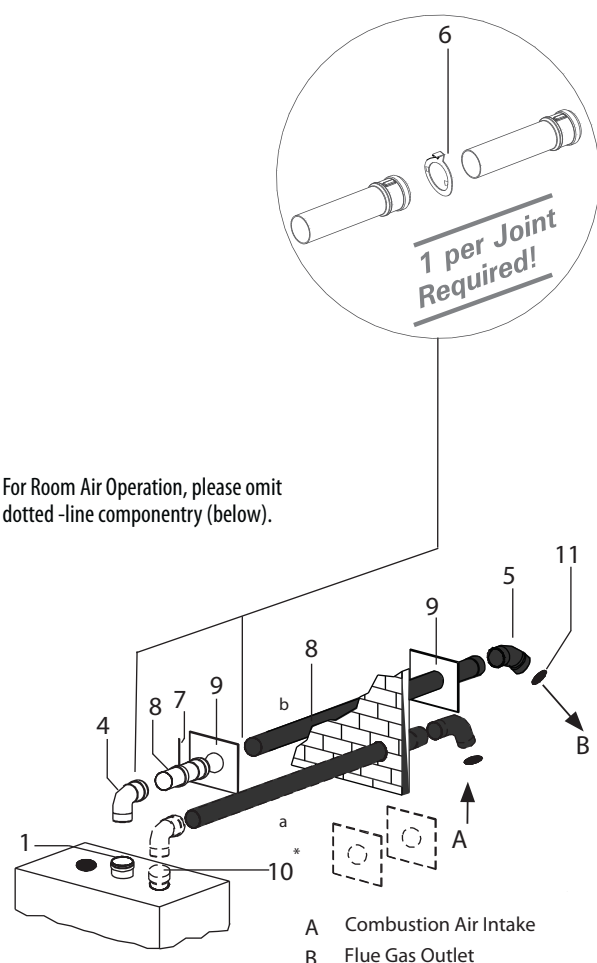
\* PP(s) coaxial vent material must be ULCS-636 certified for Category IV boilers. Do not mix non-ULC S-636 with ULC S-636 venting. Side wall venting installation must include Viessmann Protective Screen!

\*\* Order 1 Wall Strap for each straight length of vent pipe installed.

» Do not include first 90° elbow in equivalent vent length calculations (this applies to all vent materials).

» A maximum of 5 elbows may be installed in the vent system; do not exceed maximum equivalent vent length.

» ALL PIPE SECTIONS MUST BE PROPERLY ASSEMBLED AND SUPPORTED. ADEQUATE SLOPE MUST ALSO BE INCORPORATED INTO ALL HORIZONTAL VENT RUNS TO ENSURE DRAINAGE OF CONDENSATES. PRIOR TO BEGINNING AN INSTALLATION, BE SURE TO READ VISSMANN VENTING INSTRUCTIONS CAREFULLY.

Vent System		60	80	100	Diameter
Horizontally Vented	Maximum Equivalent Length (EqL)	WB2B a+b ≤ -19...-35 115/35	-19...-35 148/45	-19...-35 180/55	ft/m
Room Air Independent Operation	1-Boiler Vent Pipe Adaptor	INCLUDED WITH BOILER			Order # Price
 <p>For Room Air Operation, please omit dotted -line componentry (below).</p> <p>A Combustion Air Intake B Flue Gas Outlet</p>	3-Adaptor 60 to 80 not shown	-	2PPS-X3 \$20.20	2PPS-X3 \$20.20	
	Adaptor 80 to 100 not shown	-	-	3PPS-X4 \$21.96	
	4-90° Elbow EqL = 1.6ft / 0.5m	2PPS-E90 \$12.48	3PPS-E90 \$13.52	4PPS-E90 \$26.00	
	5-45° Elbow, Black EqL = 1ft / 0.3m not shown	2PPS-E45B \$15.60	3PPS-E45B \$17.68	4PPS-E45B \$29.12	
	6-Flue Locking Band* (each)	2PPS-LB \$7.80	3PPS-LB \$8.32	4PPS-LB \$8.84	
	7-Wall Strap* (each)	2PPS-WSM \$10.09	3PPS-WSM \$10.92	4PPS-WSM \$12.17	
	8-Straight Pipe* 1.0 ft / 0.3m	2PPS-12 \$7.80	3PPS-12 \$9.10	4PPS-12 \$22.00	
	Straight Pipe, Black* 1.0ft / 0.3m Use Black UV pipe for external applications	2PPS-12B \$9.36	3PPS-12B \$10.40	4PPS-12B \$24.00	
	Straight Pipe* 3.0 ft / 0.9m	2PPS-36 \$14.56	3PPS-36 \$22.88	4PPS-36 \$47.00	
	Straight Pipe* 6.0ft / 1.8m	2PPS-72 \$20.80	3PPS-72 \$31.20	4PPS-72 \$68.50	
	9-Wall Plate for PP(s)	2PPS-WP \$19.95	3PPS-WP \$19.95	4PPS-WP \$19.95	
	If installing ABS, CPVC, or PVC for combustion air supply pipe, use:	FIELD SUPPLIED			
	10-Adaptor, CPVC** 60mm to 2" 2" to 3" or 2" to 4" not shown				
	11-Bird Screen (Set of 2) for PP(s)	2PPS-BG \$8.00	3PPS-BG \$11.00	4PPS-BG \$14.00	

\* Boiler cannot support weight of vent system. Order 1 Wall Strap for each straight length of vent pipe installed (2 Wall Straps for each 2m straight length). Order 1 Flue Locking Band for each joint of flue vent pipe (excluding termination elbow(s)). Flue Locking Bands are optional on combustion air supply pipe if PP(s) is used.

\*\* Combustion air supply pipe may be made of the following materials: PP(s), ABS, CPVC, or PVC. CPVC Adaptor 10 is not required if using DuraVent PP(s) vent system.

» Do not include first 90° elbow in equivalent vent length calculations (this applies to all vent materials).

» A maximum of 5 x 90° elbows may be installed in the air intake and flue outlet combined; do not exceed maximum equivalent vent length.

» ALL PIPE SECTIONS MUST BE PROPERLY ASSEMBLED AND SUPPORTED. ADEQUATE SLOPE MUST ALSO BE INCORPORATED INTO ALL HORIZONTAL VENT RUNS TO ENSURE DRAINAGE OF CONDENSATES. PRIOR TO BEGINNING AN INSTALLATION, BE SURE TO READ VISSMANN VENTING INSTRUCTIONS CAREFULLY.

» USE UV BLACK COMPONENTS FOR EXTERNAL APPLICATIONS

Vent System		60	80	100	Diameter
Vertically Vented	Maximum Equivalent Length (EqL)	WB2B a+b ≤ -19...-35 115/35	-19...-35 148/45	-19...-35 180/55	ft/m
Room Air Independent Operation	1-Boiler Vent Pipe Adaptor	INCLUDED WITH BOILER			Order # Price
<p>For Room Air Operation, please omit dotted-line componentry (below).</p> <p>1 per Joint Required!</p> <p>A Combustion Air Intake B Flue Gas Outlet</p>	3-Adaptor 60 to 80 not shown	-	2PPS-X3 \$20.20	2PPS-X3 \$20.20	
	Adaptor 80 to 100 not shown	-	-	3PPS-X4 \$21.96	
	4-90° Elbow EqL = 1.6ft / 0.5m	2PPS-E90 \$12.48	3PPS-E90 \$13.52	4PPS-E90 \$26.00	
	90° Elbow, Black EqL = 1.6ft / 0.5m	2PPS-E90B \$15.60	3PPS-E90B \$17.68	4PPS-E90B \$29.12	
	5-45° Elbow EqL = 1ft / 0.3m not shown	2PPS-E45 \$12.48	3PPS-E45 \$13.52	4PPS-E45 \$26.00	
	6-Flue Locking Band*(each)	2PPS-LB \$7.80	3PPS-LB \$8.32	4PPS-LB \$8.84	
	7-Wall Strap*(each)	2PPS-WSM \$10.09	3PPS-WSM \$10.92	4PPS-WSM \$12.17	
	8-Straight Pipe* 1.0ft / 0.3m	2PPS-12 \$7.80	3PPS-12 \$9.10	4PPS-12 \$22.00	
	Straight Pipe, Black* 1.0ft / 0.3m Use Black UV pipe for external applications	2PPS-12B \$9.36	3PPS-12B \$10.40	4PPS-12B \$24.00	
	Straight Pipe* 3.0ft / 0.9m	2PPS-36 \$14.56	3PPS-36 \$22.88	4PPS-36 \$47.00	
	Straight Pipe* 6.0ft / 1.8m	2PPS-72 \$20.80	3PPS-72 \$31.20	4PPS-72 \$68.50	
	9- Wall Plate for PP(s) not shown	2PPS-WP \$19.95	3PPS-WP \$19.95	4PPS-WP \$19.95	
	If installing ABS, CPVC or PVC for combustion air supply pipe, use:  10-Adaptor, CPVC** 60mm to 2"; 2" to 3" or 2" to 4" not shown	FIELD SUPPLIED			
	Roof Flashing and Storm Collar	FIELD SUPPLIED			
	11-Bird Screen (Set of 2) for PP(s)	2PPS-BG \$8.00	3PPS-BG \$11.00	4PPS-BG \$14.00	

\* Boiler cannot support weight of vent system. Order 1 Wall Strap for each straight length of vent pipe installed (2 Wall Straps for each 2m straight length). Order 1 Flue Locking Band for each joint of flue vent pipe (excluding termination elbow(s)). Flue Locking Bands are optional on combustion air supply pipe if PP(s) is used.

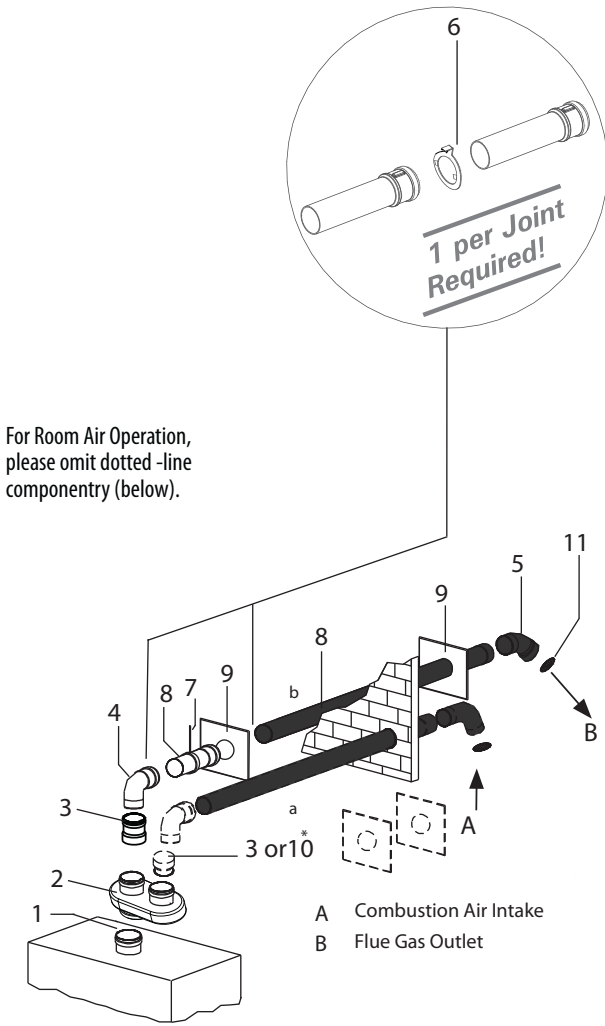
\*\* Combustion air supply pipe may be made of the following materials: PP(s), ABS, CPVC, or PVC. CPVC Adaptor 10 is not required if using DuraVent PP(s) vent system.

» Do not include first 90° elbow in equivalent vent length calculations (this applies to all vent materials).

» A maximum of 5 x 90° elbows may be installed in the air intake and flue outlet combined; do not exceed maximum equivalent vent length.

» ALL PIPE SECTIONS MUST BE PROPERLY ASSEMBLED AND SUPPORTED. ADEQUATE SLOPE MUST ALSO BE INCORPORATED INTO ALL HORIZONTAL VENT RUNS TO ENSURE DRAINAGE OF CONDENSATES. PRIOR TO BEGINNING AN INSTALLATION, BE SURE TO READ VISSMANN VENTING INSTRUCTIONS CAREFULLY.

» USE UV BLACK COMPONENTS FOR EXTERNAL APPLICATIONS

Vent System		80	100	100	Diameter
Horizontally Vented	Maximum Equivalent Length (EqL)	WB2B a+b ≤ -46/-60 98/30	-45/-60 148/45	-80/-105 131/40	ft/m
Room Air Independent Operation	1-Boiler Vent Pipe Adapter	INCLUDED WITH BOILER			Order # Price
 <p>For Room Air Operation, please omit dotted-line componentry (below).</p>	2-Double Pipe Adapter	ONLY AVAILABLE FROM VISSMAN			
	3-Adaptor 80 to 100	-	3PPS-X4 \$21.96	-	
	Adaptor 110 to 100	-	-	PPS-VSM-AD \$40.00	
	4-90° Elbow EqL = 1.6ft / 0.5m	3PPS-E90 \$13.52	4PPS-E90 \$26.00		
	5-45° Elbow, Black EqL = 1ft / 0.3m not shown	3PPS-E45B \$17.68	4PPS-E45B \$29.12		
	6-Flue Locking Band* (each)	3PPS-LB \$8.32	4PPS-LB \$8.84		
	7-Wall Strap* (each)	3PPS-WSM \$10.92	4PPS-WSM \$12.17		
	8-Straight Pipe* 1.0ft / 0.3m	3PPS-12 \$9.10	4PPS-12 \$22.00		
	Straight Pipe, Black* 1.0 ft/ 0.3m Use Black UV pipe for external applications	3PPS-12B \$10.40	4PPS-12B \$24.00		
	Straight Pipe* 3.0ft / 0.9m	3PPS-36 \$22.88	4PPS-36 \$47.00		
	Straight Pipe* 6.0ft / 1.8m	3PPS-72 \$31.20	4PPS-72 \$68.50		
	9-Wall Plate for PP(s) not shown	3PPS-WP \$19.95	4PPS-WP \$19.95		
	If installing ABS, CPVC, or PVC for combustion air supply pipe, use:	FIELD SUPPLIED			
	10-Adaptor, CPVC** 80mm to 3"; 3" to 4" not shown Adaptor, CPVC** 110.67mm to 4"				
11-Bird Screen (Set of 2) for PP(s)	3PPS-BG \$11.00	4PPS-BG \$14.00			

\* Boiler cannot support weight of vent system. Order 1 Wall Strap for each straight length of vent pipe installed (2 Wall Straps for each 2m straight length). Order 1 Flue Locking Band for each joint of flue vent pipe (excluding termination elbow(s)). Flue Locking Bands are optional on combustion air supply pipe if PP(s) is used.

\*\* Combustion air supply pipe may be made of the following materials: PP(s), ABS, CPVC, or PVC. CPVC Adaptor 10 is not required if using DuraVent PP(s) vent system.

» Do not include first 90° elbow in equivalent vent length calculations (this applies to all vent materials).

» A maximum of 5 x 90° elbows may be installed in the air intake and flue outlet combined; do not exceed maximum equivalent vent length.

» ALL PIPE SECTIONS MUST BE PROPERLY ASSEMBLED AND SUPPORTED. ADEQUATE SLOPE MUST ALSO BE INCORPORATED INTO ALL HORIZONTAL VENT RUNS TO ENSURE DRAINAGE OF CONDENSATES. PRIOR TO BEGINNING AN INSTALLATION, BE SURE TO READ VISSMAN VENTING INSTRUCTIONS CAREFULLY.

» USE UV BLACK COMPONENTS FOR EXTERNAL APPLICATIONS

Vent System		80	100	100	Diameter	
Vertically Vented	Maximum Equivalent Length (EqL)	WB2B a+b ≤	-45/-60 98/30	-45/-60 148/45	-80/-105 131/40	ft/m
Room Air Independent Operation	1-Boiler Vent Pipe Adapter	INCLUDED WITH BOILER			Order # Price	
<p>For Room Air Operation, please omit dotted-line componentry (below). 1 per Joint Required!</p> <p>A Combustion Air Intake B Flue Gas Outlet</p>	2-Double-Pipe Adapter	ONLY AVAILABLE FROM VIESSMAN				
	3-Adaptor 80 to 100	-	3PPS-X4 \$21.96	-		
	Adaptor 110 to 100	-	-	PPS-VSM-AD \$40.00		
	4-90° Elbow EqL = 1.6ft / 0.5m	3PPS-E90 \$13.52	4PPS-E90 \$26.00			
	90° Elbow, Black EqL = 1.6ft. / 0.5m	2PPS-E90B \$15.60	3PPS-E90B \$17.68	4PPS-E90B \$29.12		
	5-45° Elbow EqL = 1ft / 0.3m not shown	3PPS-E45 \$13.52	4PPS-E45 \$26.00			
	6-Flue Locking Band* (each)	3PPS-LB \$8.32	4PPS-LB \$8.84			
	7-Wall Strap* (each)	3PPS-WSM \$10.92	4PPS-WSM \$12.17			
	8-Straight Pipe* 1.0ft / 0.3m	3PPS-12 \$9.10	4PPS-12 \$22.00			
	Straight Pipe, Black* 1.0ft/0.3m Use Black UV pipe for external applications	3PPS-12B \$10.40	4PPS-12B \$24.00			
	Straight Pipe* 3.0ft / 0.9m	3PPS-36 \$22.88	4PPS-36 \$47.00			
	Straight Pipe* 6.0ft / 1.8m	3PPS-72 \$31.20	4PPS-72 \$68.50			
	9-Wall Plate for PP(s) not shown	3PPS-WP \$19.95	4PPS-WP \$19.95			
	If installing ABS, CPVC, or PVC for combustion air supply pipe, use:	FIELD SUPPLIED				
	10-Adaptor CPVC ** 80mm to 3"; 3" to 4" not shown Adaptor CPVC** 110.67mm to 4"	FIELD SUPPLIED				
Roof Flashing and Storm Collar	FIELD SUPPLIED					
11-Bird Screen (Set of 2) for PP(s)	3PPS-BG \$11.00	4PPS-BG \$14.00				

\* Boiler cannot support weight of vent system. Order 1 Wall Strap for each straight length of vent pipe installed (2 Wall Straps for each 2m straight length). Order 1 Flue Locking Band for each joint of flue vent pipe (excluding termination elbow(s)). Flue Locking Bands are optional on combustion air supply pipe if PP(s) is used.

\*\* Combustion air supply pipe may be made of the following materials: PP(s), ABS, CPVC, or PVC. CPVC Adaptor 10 is not required if using DuraVent PP(s) vent system.

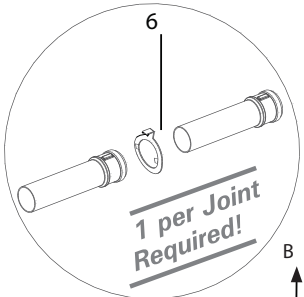
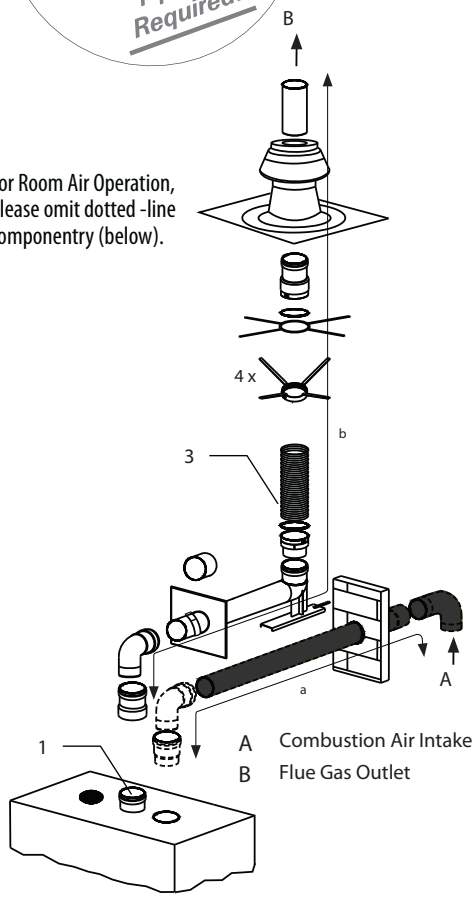
» Do not include first 90° elbow in equivalent vent length calculations (this applies to all vent materials).

» A maximum of 5 x 90° elbows may be installed in the air intake and flue outlet combined; do not exceed maximum equivalent vent length.

» ALL PIPE SECTIONS MUST BE PROPERLY ASSEMBLED AND SUPPORTED. ADEQUATE SLOPE MUST ALSO BE INCORPORATED INTO ALL HORIZONTAL VENT RUNS TO ENSURE DRAINAGE OF CONDENSATES. PRIOR TO BEGINNING AN INSTALLATION, BE SURE TO READ VIESSMANN VENTING INSTRUCTIONS CAREFULLY.

» USE UV BLACK COMPONENTS FOR EXTERNAL APPLICATIONS



Vent System		80	100	Diameter	
Vertically Vented	Maximum Equivalent Length (EqL)	WB2B a+b ≤	-19...-35 111/34	-19...-35 135/41	ft/m
Room Air Independent Operation	Basic Chimney Vent Kit Venting pieces can be ordered individually, or as a convenient kit using the Order No. to the right; Basic Chimney Vent Kit includes one of each of the items numbered 3 to 18 (excluding item 5 & 15). Refer to next page.		3PPS-FVKA \$700.00	4PPS-FVKA \$920.00	Order # Price
 <p>For Room Air Operation, please omit dotted-line componentry (below).</p> 	1-Boiler Vent Pipe Adapter		INCLUDED WITH BOILER		
	3-Flex Pipe 35ft / 10.67m Extra Flex Pipe As Needed		3PPS-FLEX35 \$341.26	4PPS-FLEX35 \$500.50	

\* Boiler cannot support weight of vent system. Order 1 Wall Strap for each straight length of vent pipe installed (2 Wall Straps for each 2m straight length). Order 1 Flue Locking Band for each joint of flue vent pipe (excluding termination elbow(s)). Flue Locking Bands are optional on combustion air supply pipe if PP(s) is used.

\*\* Combustion air supply pipe may be made of the following materials: PP(s), ABS, CPVC, or PVC. CPVC Adaptor 10 is not required if using DuraVent PP(s) vent system.

» Do not include first 90° elbow in equivalent vent length calculations (this applies to all vent materials).

» A maximum of 5 x 90° elbows may be installed in the air intake and flue outlet combined; do not exceed maximum equivalent vent length.

» Always follow Viessmann venting installation instructions 5457 714.

Vent System		80	100	Diameter	
Vertically Vented	Maximum Equivalent Length (EqL)	WB2B a+b ≤	-19...-35 111/34	-19...-35 135/41	ft/m
Room Air Independent Operation	1-Boiler Vent Pipe Adapter	INCLUDED WITH BOILER			
	3-Flex Pipe 35ft / 10.67m	3PPS-FLEX35 \$341.26	4PPS-FLEX35 \$500.50		
	5-Adapter, CPVC 60mm to 2" 2" to 3" or 2" to 4" not shown	FIELD SUPPLIED			
	6-Adaptor 60 to 80	2PPS-X3 \$20.20	2PPS-X3 \$20.20		
	Adaptor 80 to 100 not shown		3PPS-X4 \$21.96		
	7-90° Elbow EqL = 1.6ft / 0.5m	3PPS-E90 \$13.52	4PPS-E90 \$26.00		
	8-Flue Locking Band * (each)	3PPS-LB \$8.32	4PPS-LB \$8.84		
	9-Wall Strap* (each)	3PPS-WSM \$10.92	4PPS-WSM \$12.17		
	10-Wall Plate	3PPS-WP \$19.95	4PPS-WP \$19.95		
	11-Mortar Sleeve	3DFS-MS \$7.92	4DFS-MS \$9.01		
	12-90° Support Elbow, Extended EqL = 1.6ft / 0.5m	3PPS-SE90X \$42.13	4PPS-SE90X \$49.05		
	13-Chimney Support	PPS-SUP \$40.00			
	14-Adapter Set, rigid to flex and flex to rigid	3PPS-FAS \$64.51	4PPS-FAS \$96.18		
	15-Coupling for flex pipe Optional	3PPS-FAC \$46.21	4PPS-FAC \$55.97		
	16-Spacer Cross (Set of 4)	3PPS-S \$14.29			
	17-Flex Support Bracket Supports Flex at Top	3PPS-FSB \$30.13	4PPS-FSB \$29.83		
	18-Chimney Cap with Termination Pipe	3PPS-FCT \$110.91	4PPS-FCT \$130.47		
	19-Combustion Air Intake Vent Material * **	FIELD SUPPLIED			
Other Available Vent Pieces Not Shown In Illustration Above	45° Elbow EqL = 1ft / 0.3m	3PPS-E45 \$13.52	4PPS-E45 \$26.00		
	Straight Pipe * 3.0 ft / 0.9m	3PPS-36 \$22.88	4PPS-36 \$47.00		
	Straight Pipe * 6.0ft / 1.8m	3PPS-72 \$31.20	4PPS-72 \$68.50		

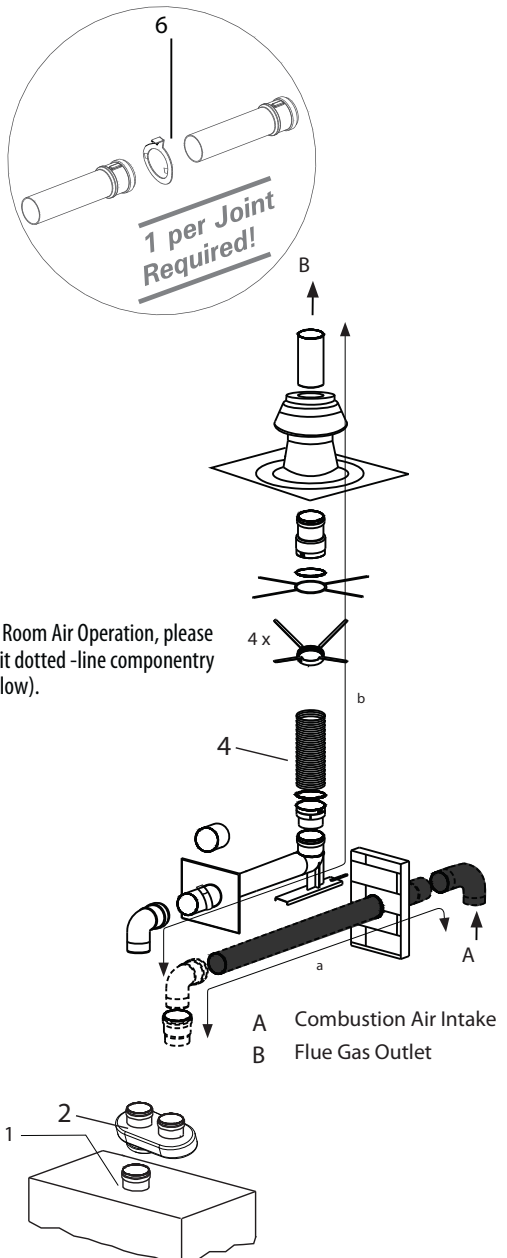
\* Boiler cannot support weight of vent system. Order 1 Wall Strap for each straight length of vent pipe installed (2 Wall Straps for each 2m straight length). Order 1 Flue Locking Band for each joint of flue vent pipe (excluding termination elbow(s)). Flue Locking Bands are optional on combustion air supply pipe if PP(s) is used.

\*\* Combustion air supply pipe may be made of the following materials: PP(s), ABS, CPVC, or PVC. CPVC Adaptor 10 is not required if using DuraVent PP(s) vent system.

» Do not include first 90° elbow in equivalent vent length calculations (this applies to all vent materials).

» A maximum of 5 x 90° elbows may be installed in the air intake and flue outlet combined; do not exceed maximum equivalent vent length.

» Always follow Viessmann venting installation instructions 5457 714.

Vent System		80	100	Diameter	
Vertically Vented	Maximum Equivalent Length (EqL)	WB2B a+b ≤	-45/-60 74/23	-45/-60 111/34	ft/m
Room Air Independent Operation	Basic Chimney Vent Kit Venting pieces can be ordered individually, or as a convenient kit using the Order No. to the right; Basic Chimney Vent Kit includes one of each of the items number 4 to 18 (excluding item 5 & 15). Refer to next page.		3PPS-FVKB \$785.00	4PPS-FVKB \$995.00	Order # Price
 <p>For Room Air Operation, please omit dotted-line componentry (below).</p>	1-Boiler Vent Pipe Adapter		INCLUDED WITH BOILER		
	2-Double-Pipe Adaptor		ONLY AVAILABLE FROM VIESSMAN		
	4-Flex Pipe 35ft / 10.67m Extra Flex Pipe As Needed		3PPS-FLEX35 \$341.26	4PPS-FLEX35 \$500.50	

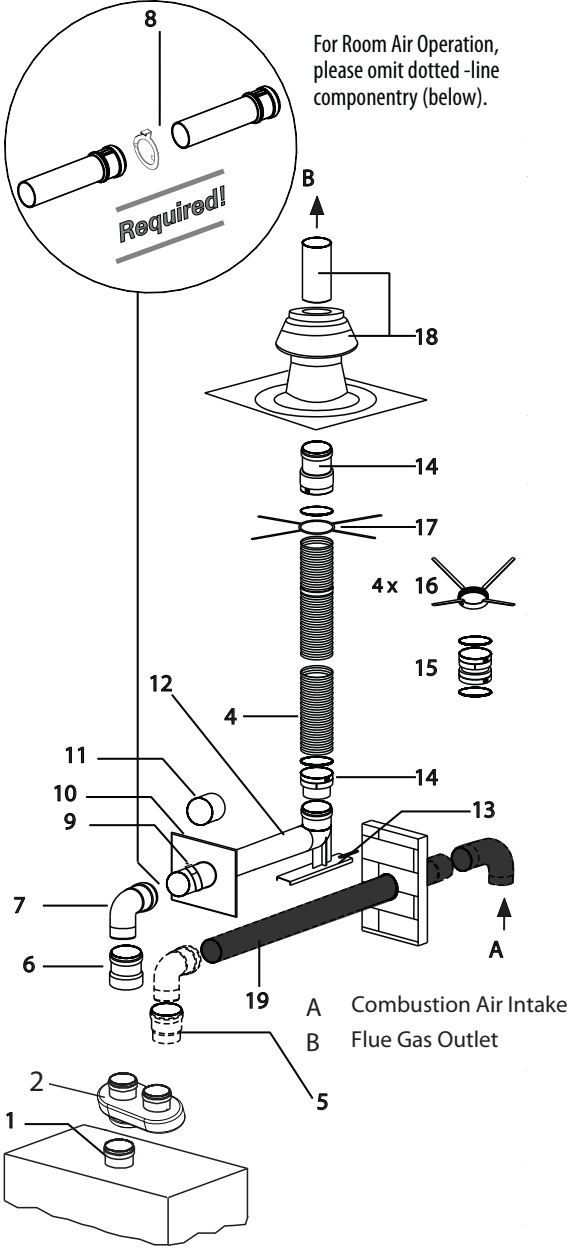
\* Boiler cannot support weight of vent system. Order 1 Wall Strap for each straight length of vent pipe installed (2 Wall Straps for each 2m straight length). Order 1 Flue Locking Band for each rigid-to-rigid joint of flue vent pipe (excluding starter/transition adaptors and base support elbow). Flue Locking Bands are optional on combustion air supply pipe if PP(s) is used.

\*\* Combustion air supply pipe may be made of the following materials: PP(s), ABS, CPVC, or PVC. CPVC Adaptor 5 is not required if using DuraVent PP(s) vent system.

» Do not include first 90° elbow in equivalent vent length calculations (this applies to all vent materials).

» A maximum of 5 x 90° elbows may be installed in the air intake and flue outlet combined; do not exceed maximum equivalent vent length.

» Always follow Viessmann venting installation instructions 5457 714.

Vent System		80	100	Diameter	
Vertically Vented	Maximum Equivalent Length (EqL)	WB2B a+b ≤	-45/-60 74/23	-45/-60 111/34	ft/m
Room Air Independent Operation	1-Boiler Vent Pipe Adaptor		INCLUDED WITH BOILER		Order # Price
 <p>For Room Air Operation, please omit dotted-line componentry (below).</p> <p><b>Required!</b></p> <p>A Combustion Air Intake B Flue Gas Outlet</p>	2-Double-Pipe Adaptor		ONLY AVAILABLE FROM VISSMAN		
	4-Flex Pipe 35ft / 10.67m		3PPS-FLEX35 \$341.26	4PPS-FLEX35 \$500.50	
	5-Adaptor, CPVC 80mm to 3"		FIELD SUPPLIED		
	3" to 4" not shown		FIELD SUPPLIED		
	6-Adaptor 80 to 100		-	3PPS-X4 \$21.96	
	7-90° Elbow EqL = 1.6ft / 0.5m		3PPS-E90 \$13.52	4PPS-E90 \$26.00	
	8-Flue Locking Band* (each)		3PPS-LB \$8.32	4PPS-LB \$8.84	
	9-Wall Strap* (each)		3PPS-WSM \$10.92	4PPS-WSM \$12.17	
	10-Wall Plate		3PPS-WP \$19.95	4PPS-WP \$19.95	
	11-Mortar Sleeve*		3DFS-MS \$7.92	4DFS-MS \$9.01	
	12-90° Support Elbow, Extended EqL = 4.8ft / 1.5m		3PPS-SE90X \$42.13	4PPS-SE90X \$49.05	
	13-Chimney Support		PPS-SUP \$40.00		
	14-Adaptor Set rigid to flex, and flex to rigid		3PPS-FAS \$64.51	4PPS-FAS \$96.18	
	15-Coupling for flex pipe; Optional		3PPS-FAC \$46.21	4PPS-FAC \$55.97	
	16-Spacer Cross (Set of 4) keeps flex centered in masonry chimney		3PPS-S \$14.29		
	17-Flex Support Bracket Supports flex at top of masonry chimney		3PPS-FSB \$30.13	4PPS-FSB \$29.83	
	18-Chimney Cap with Termination Pipe		3PPS-FCT \$110.91	4PPS-FCT \$130.47	
	19-Combustion Air Intake Vent Material* **		FIELD SUPPLIED		
	Other Available Vent Pieces Not Shown In Illustration Above	45° Elbow EqL = 1ft / 0.3m		3PPS-E45 \$13.52	4PPS-E45 \$26.00
	Straight Pipe* 3.0ft / 0.9m		3PPS-36 \$22.88	4PPS-36 \$47.00	
	Straight Pipe* 6.0ft / 1.8m		3PPS-72 \$31.20	4PPS-72 \$68.50	

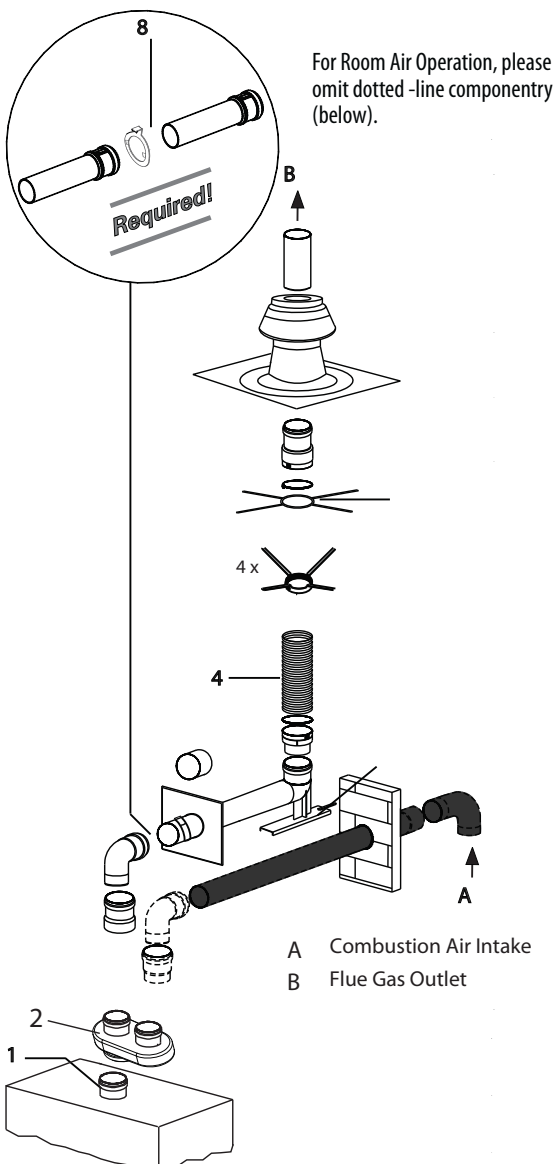
\* Boiler cannot support weight of vent system. Order 1 Wall Strap for each straight length of vent pipe installed (2 Wall Straps for each 2m straight length). Order 1 Flue Locking Band for each rigid-to-rigid joint of flue vent pipe (excluding starter/transition adaptors and base support elbow). Flue Locking Bands are optional on combustion air supply pipe if PP(s) is used.

\*\* Combustion air supply pipe may be made of the following materials: PP(s), ABS, CPVC, or PVC. CPVC Adaptor 5 is not required if using DuraVent PP(s) vent system.

» Do not include first 90° elbow in equivalent vent length calculations (this applies to all vent materials).

» A maximum of 5 x 90° elbows may be installed in the air intake and flue outlet combined; do not exceed maximum equivalent vent length.

» Always follow Viessmann venting installation instructions 5457 714.

Vent System			100 Diameter
Vertically Vented	Maximum Equivalent Length (EqL)	WB2B a+b ≤	-80/-105 98/30 ft/m
<p>Room Air Independent Operation</p>  <p>For Room Air Operation, please omit dotted -line componentry (below).</p> <p>A Combustion Air Intake B Flue Gas Outlet</p>	<p>Basic Chimney Vent Kit Venting pieces can be ordered individually, or as a convenient kit using the Order No. to the right; Basic Chimney Vent Kit includes one of each of the items number 4 to 18 (excluding item 5 &amp; 15). Refer to next page.</p>	<p>4PPS-FVKC \$1050.00</p>	<p>Order # Price</p>
	1-Boiler Vent Pipe Adaptor	INCLUDED WITH BOILER	
	2-Double Pipe Adaptor	ONLY AVAILABLE FROM VIESSMAN	
	4-Flex Pipe 35ft / 10.67m Extra Flex Pipe As Needed	4PPS-FLEX35 \$500.50	

\* Boiler cannot support weight of vent system. Order 1 Wall Strap for each straight length of vent pipe installed (2 Wall Straps for each 2m straight length). Order 1 Flue Locking Band for each rigid-to-rigid joint of flue vent pipe (excluding starter/transition adaptors and base support elbow). Flue Locking Bands are optional on combustion air supply pipe if PP(s) is used.

\*\* Combustion air supply pipe may be made of the following materials: PP(s), ABS, CPVC, or PVC. CPVC Adaptor 5 is not required if using DuraVent PP(s) vent system.

» Do not include first 90° elbow in equivalent vent length calculations (this applies to all vent materials).

» A maximum of 5 x 90° elbows may be installed in the air intake and flue outlet combined; do not exceed maximum equivalent vent length.

» Always follow Viessmann venting installation instructions 5457 714.

Vent System		100	Diameter	
Vertically Vented	Maximum Equivalent Length (EqL)	WB2B a+b ≤	-80/-105 98/30	
Room Air Independent Operation	1-Boiler Vent Pipe Adaptor		INCLUDED WITH BOILER	
<p>For Room Air Operation, please omit dotted-line componentry (below).</p> <p><b>Required!</b></p> <p>A Combustion Air Intake B Flue Gas Outlet</p>	2-Double-Pipe Adaptor		ONLY AVAILABLE FROM VISSMAN	
	4-Flex Pipe 35ft / 10.67m		4PPS-FLEX35 \$500.50	
	5-Adaptor CPVC 110.67mm to 4"		FIELD SUPPLIED	
	6-Adaptor 110 to 100		PPS-VSM-AD \$40.00	
	7-90° Elbow EqL = 1.6ft / 0.5m		4PPS-E90 \$26.00	
	8-Flue Locking Band* (each)		4PPS-LB \$8.84	
	9-Wall Strap* (each)		4PPS-WSM \$12.17	
	10-Wall Plate		4PPS-WP \$19.95	
	11-Mortar Sleeve*		4DFS-MS \$9.01	
	12-90° Support Elbow, Extended EqL = 4.8ft / 1.5m		4PPS-SE90X \$49.05	
	13-Chimney Support		PPS-SUP \$40.00	
	14-Adaptor Set Rigid to Flex, and flex to rigid		4PPS-FAS \$96.18	
	15-Coupling for flex pipe; Optional		4PPS-FAC \$55.97	
	16-Spacer Cross (Set of 4) keeps flex centered in masonry chimney		3PPS-S \$14.29	
	17-Flex Support Bracket Supports flex at top of masonry chimney		4PPS-FSB \$29.83	
	18-Chimney Cap with Termination Pipe		4PPS-FCT \$130.47	
	19-Combustion Air Intake Vent Material**		FIELD SUPPLIED	
	Other Available Vent Pieces Not Shown In Illustration Above	45° Elbow EqL = 1ft / 0.3m		4PPS-E45 \$26.00
		Straight Pipe <sup>1</sup> 3.0ft / 0.9m		4PPS-36 \$47.00
	Straight Pipe <sup>1</sup> 6.0ft / 1.8m		4PPS-72 \$68.50	

\* Boiler cannot support weight of vent system. Order 1 Wall Strap for each straight length of vent pipe installed (2 Wall Straps for each 2m straight length). Order 1 Flue Locking Band for each rigid-to-rigid joint of flue vent pipe (excluding starter/transition adaptors and base support elbow). Flue Locking Bands are optional on combustion air supply pipe if PP(s) is used.

\*\* Combustion air supply pipe may be made of the following materials: PP(s), ABS, CPVC, or PVC. CPVC Adaptor 5 is not required if using DuraVent PP(s) vent system.

» Do not include first 90° elbow in equivalent vent length calculations (this applies to all vent materials).

» A maximum of 5 x 90° elbows may be installed in the air intake and flue outlet combined; do not exceed maximum equivalent vent length.

» Always follow Viessmann venting installation instructions 5457 714.

Viessmann Previous Part #	NEW DuraVent Part Number	Description	DuraVent MAP Pricing	DuraVent MSRP (ea)	Ctn Qty
7424088	2PPC-P500	SC Flue Straight Pipe 0.5m D=60/100	\$54.00	\$60.00	1
7424089	3PPC-P500	SC Flue Straight Pipe 0.5m D=80/125	\$68.63	\$76.25	1
7424090	4PPC-P500	SC Flue Straight Pipe 0.5m D=100/150	\$102.38	\$113.75	1
7424091	2PPC-P1000	SC Flue Straight Pipe 1.0m D=60/100	\$78.75	\$87.50	1
7424092	3PPC-P1000	SC Flue Straight Pipe 1.0m D=80/125	\$102.38	\$113.75	1
7424093	4PPC-P1000	SC Flue Straight Pipe 1.0m D=100/150	\$124.88	\$138.75	1
7424094	2PPC-E90	SC 90° Flue Elbow D=60/100	\$68.63	\$76.25	1
7424095	3PPC-E90	SC 90° Flue Elbow D=80/125	\$102.38	\$113.75	1
7424096	4PPC-E90	SC 90° Flue Elbow D=100/150	\$148.50	\$165.00	1
7424097	2PPC-E45	SC 45° Flue Elbow D=60/100 (Set of 2)	\$124.88	\$138.75	1
7424098	3PPC-E45	SC 45° Flue Elbow D=80/125 (Set of 2)	\$138.38	\$153.75	1
7424099	4PPC-E45	SC 45° Flue Elbow D=100/150 (Set of 2)	\$196.88	\$218.75	1
7424100	2PPC-HCT	SC Horiz. Flue Termination D=60/100	\$148.50	\$165.00	1
7424101	3PPC-HCT	SC Horiz. Flue Termination D=80/125	\$166.50	\$185.00	1
7424102	4PPC-HCT	SC Horiz. Flue Termination D=100/150	\$178.88	\$198.75	1
7424103	2PPC-VCT	SC Vertical Flue Terminal D=60/100	\$202.50	\$225.00	1
7424104	3PPC-VCT	SC Vertical Flue Terminal D=80/125	\$297.00	\$330.00	1
7424105	4PPC-VCT	SC Vertical Flue Terminal D=100/150	\$387.00	\$430.00	1
7424106	2PPC-TA	SC Sliding Coupling D=60/100	\$68.63	\$76.25	1
7424107	3PPC-TA	SC Sliding Coupling D=80/125	\$78.75	\$87.50	1
7424108	4PPC-TA	SC Sliding Coupling D=100/150	\$90.00	\$100.00	1
7424109	2PPC-WSM	SC Flue Wall Strap D=100mm	\$14.97	\$16.63	6
7424110	3PPC-WSM	SC Flue Wall Strap D=125mm	\$20.25	\$22.50	6
7424111	4PPC-WSM	SC Flue Wall Strap D=150mm	\$25.88	\$28.75	6
7424112	2PPC-X3INC	SC Flue Adapter D=60/100 to 80/125	\$102.60	\$114.00	1
7424113	2PPC-X4INC	SC Flue Adapter D=60/100 to 100/150	\$166.50	\$185.00	1
7424114	3PPC-X4INC	SC Flue Adapter D=80/125 to 100/150	\$148.50	\$165.00	1
7424115	PPC-VSM-AD	SC Flue Transition D=110/150 to 100/150	\$89.10	\$99.00	1
7424116	2PPS-LB	PPs Locking Band D=60	\$7.02	\$7.80	12
7424117	3PPS-LB	PPs Locking Band D=80	\$7.49	\$8.32	12
7424118	4PPS-LB	PPs Locking Band D=100	\$7.96	\$8.84	12
7424119	2PPC-HVKA	SC Basic Horizontal Vent Kit 60/100	\$423.00	\$470.00	1
7424120	3PPC-HVKA	SC Basic Horizontal Vent Kit 80/125	\$472.50	\$525.00	1
7424121	4PPC-HVKA	SC Basic Horizontal Vent Kit 100/150	\$625.50	\$695.00	1
7440181	3PPS-FLEX35	PPs Flex Pipe 33 ft / 10 m D=80 (35FT instead of 33ft)	\$295.32	\$328.13	1
7440182	4PPS-FLEX35	PPs Flex Pipe 33 ft / 10 m D=100	\$433.13	\$481.25	1
7440183	2PPS-X3	PPs Flue Adapter D=60 to 80	\$18.18	\$20.20	6
7440184	3PPS-X4	PPS Flue Adapter D=80 to 100	\$19.76	\$21.96	6
7440185	PPS-VSM-AD	PPS Flue Adapter D=110 to 100	\$36.00	\$40.00	6
7440186	3PPS-E90	PPs 90° Flue Elbow D=80	\$12.17	\$13.52	6
7440187	4PPS-E90	PPs 90° Flue Elbow D=100	\$23.40	\$26.00	6
	3PPS-E90B	PPs Black 90° Flue Elbow D=80	\$15.91	\$17.68	6
	4PPS-E90B	PPs Black 90° Flue Elbow D=100	\$26.21	\$29.12	6
7440188	3PPS-E45B	PPs Black 45° Flue Elbow D=80; BLACK for UV protection	\$15.91	\$17.68	6

Viessmann Previous Part #	NEW DuraVent Part Number	Description	DuraVent MAP Pricing	DuraVent MSRP (ea)	Ctn Qty
7440189	4PPS-E45B	PPs Black 45° Flue Elbow D=100; BLACK for UV protection	\$26.21	\$29.12	6
7440190	3PPS-12	PPs Flue Straight Pipe 0.5m D=80 (12" versus 19")	\$8.19	\$9.10	6
7440191	4PPS-12	PPs Flue Straight Pipe 0.5m D=100 (12" versus 19")	\$19.80	\$22.00	6
	3PPS-12B	PPs Flue Straight Pipe 0.5m D=80 (12" versus 19"); BLACK for UV protection	\$9.36	\$10.40	6
	4PPS-12B	PPs Flue Straight Pipe 0.5m D=100 (12" versus 19"); BLACK for UV protection	\$21.60	\$24.00	6
7440192	3PPS-36	PPs Flue Straight Pipe 1.0m D=80 (12" versus 19")	\$20.59	\$22.88	6
7440193	4PPS-36	PPs Flue Straight Pipe 1.0m D=100 (36" versus 39")	\$42.30	\$47.00	6
7440194	3DFS-MS	Wall Plate D=80 c/w 0.5m Wall Sleeve (Now split as two items)	\$7.13	\$7.92	12
7440195	4DFS-MS	Wall Plate D=100 c/w 0.5m Wall Sleeve (Now split as two items)	\$8.11	\$9.01	12
7440198	3PPS-SE90X	PPs 90° Flue Support Elbow D=80 (Switched to long elbow and eliminate length of pipe)	\$37.92	\$42.13	1
7440199	4PPS-SE90X	PPs 90° Flue Support Elbow D=100 (Switched to long elbow and eliminate length of pipe)	\$44.15	\$49.05	1
7440200	PPS-SUP	Chimney Support	\$36.00	\$40.00	1
7440201	3PPS-FAS	PPs Flue Adapter Set D=80	\$58.06	\$64.51	1
7440202	4PPS-FAS	PPs Flue Adapter Set D=100	\$86.56	\$96.18	1
7440203	3PPS-FAC	PPs Flue Coupling D=80	\$41.59	\$46.21	6
7440204	4PPS-FAC	PPs Flue Coupling D=100	\$50.37	\$55.97	6
7440205	3PPS-S	Spacer Cross (Set of 4)	\$12.86	\$14.29	12
7440206	3PPS-FSB	Spacers D=80	\$27.12	\$30.13	12
7440207	4PPS-FSB	Spacers D=100	\$26.85	\$29.83	12
7440208	3PPS-FCT	PPs Chimney Cap w Termination Pipe D=80	\$99.82	\$110.91	1
7440209	4PPS-FCT	PPs Chimney Cap w Termination Pipe D=100	\$117.42	\$130.47	1
7457647	2PPS-E90	PPs 90° Flue Elbow D= 60	\$11.23	\$12.48	6
	2PPS-E90B	PPs 90° Flue Elbow D= 60; BLACK for UV protection	\$14.04	\$15.60	6
7457648	2PPS-E45	PPs 45° Flue Elbow D= 60	\$11.23	\$12.48	6
7457649	2PPS-12	PPs Flue Straight Pipe 0.5m D= 60 (12" versus 19")	\$7.02	\$7.80	6
	2PPS-12B	PPs Flue Straight Pipe 0.5m D=60 (12" versus 19"); BLACK for UV protection	\$8.42	\$9.36	6
7457650	2PPS-36	PPs Flue Straight Pipe 1.0m D= 60 (36" versus 39")	\$13.10	\$14.56	6
7457651	2PPS-WSM	Flue Wall Strap D= 60mm (unpainted)	\$9.45	\$10.50	6
7457652	3PPS-WSM	Flue Wall Strap D= 80mm (unpainted)	\$10.53	\$11.70	6
	4PPS-WSM	Flue Wall Strap D=100 (unpainted)	10.95	12.17	6
7457653	2PPS-WP	Wall Plate D= 60 PPs (unpainted)	\$17.96	\$19.95	12
7457654	3PPS-WP	Wall Plate D= 80 PPs (unpainted)	\$17.96	\$19.95	12
7457655	4PPS-WP	Wall Plate D=100 PPs (unpainted)	\$17.96	\$19.95	12
7457792	2PPS-BG	Bird Screen, S.S. 60mm (Set of 2) PPs	\$7.20	\$8.00	12
7457793	3PPS-BG	Bird Screen, S.S. 80mm (Set of 2) PPs	\$9.90	\$11.00	12
7457794	4PPS-BG	Bird Screen, S.S. 100mm (Set of 2) PPs	\$12.60	\$14.00	12
7498259	2PPS-72	PPs Flue Straight Pipe 2.0m D= 60 (72" versus 79")	\$18.72	\$20.80	6
7498260	3PPS-72	PPs Flue Straight Pipe 2.0m D= 80 (72" versus 79")	\$28.08	\$31.20	6
7498261	4PPS-72	PPs Flue Straight Pipe 2.0m D=100 (72" versus 79")	\$61.65	\$68.50	6
Z008659	3PPS-FVKA	Basic PPs Flex Vent Kit D=80	\$630.00	\$700.00	1
Z008660	4PPS-FVKA	Basic PPs Flex Vent Kit D=100	\$828.00	\$920.00	1
Z008661	3PPS-FVKB	Basic PPs Flex Vent Kit D=80	\$706.50	\$785.00	1
Z008662	4PPS-FVKB	Basic PPs Flex Vent Kit D=100	\$895.50	\$995.00	1
Z008663	4PPS-FVKC	Basic PPs Flex Vent Kit D=100	\$945.00	\$1,050.00	1



# Viessmann® Vitodens 100-W, WB1B & 200-W, WB2B Series Boilers



'LEED' and USGBC logo is a trademark owned by the U.S. Green Building Council and is used by permission.



**DuraVent**  
Member of  M&G Group

PolyPro® is one of M&G DuraVent's GreenVent® line of products.  
800-835-4429 [www.duravent.com](http://www.duravent.com)  
©2012 M&G DuraVent, Inc.  
**L279 6/2012**