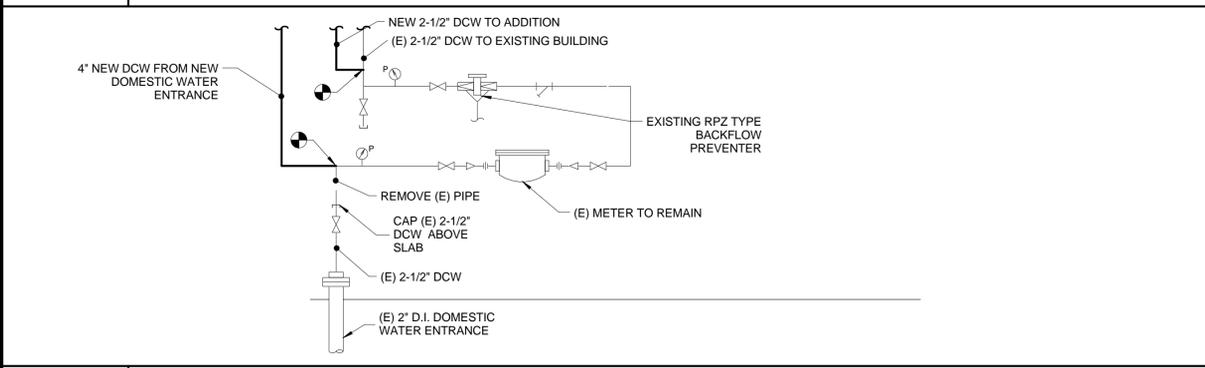


PUMP SCHEDULE														
TAG	SERVES	MAKE & MODEL	TYPE	GPM	HEAD	ELECTRICAL				BASIN				NOTES
						MOTOR HP	VOLTS/PH (60 Hz.)	DIA.	HEIGHT	GAL.	INLET TYPE	INLET SIZE	DISCH SIZE	
RCP-2	DHW RECIRC	GRUNDFOS-UP 26-64 F	IN LINE	3	15	0.08	115/1							NOTE 1; 3/4" X 3/4" INLET/DISCH
SP-1	ELEV SUMP	ZOELLER M152	SUBMERSIBLE	53	15	0.4	115/1	18"	30"		HOLE IN BASIN COVER	3	1-1/2"	NOTE 2, NOTE 3.

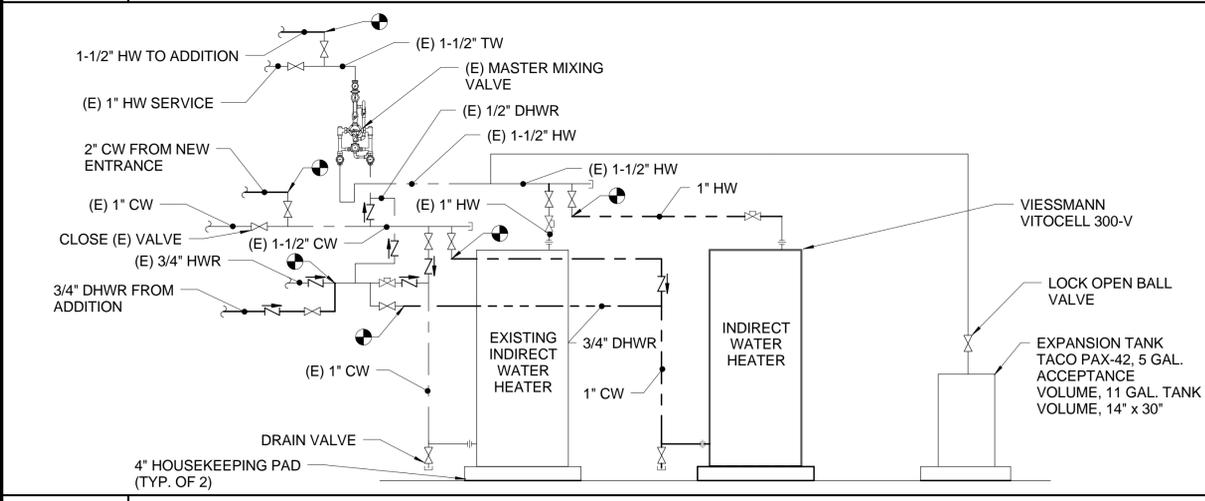
NOTES:
 1. POWER SUPPLY TO STARTER/CONTACTOR AND DISC SWITCH BY DIV 26. WIRE PUMP IN SERIES WITH AN IMMERSION AQUASTAT; WIRING FROM SWITCH TO AQUASTAT AND PUMP BY DIV 23.
 2. PLUG CONNECTIONS, COORDINATE LOCATION OF GFI OUTLETS.
 3. PROVIDE OIL SMART SYSTEM

PLUMBING FIXTURE SCHEDULE						
TAG	DESCRIPTION	BRANCH SIZES				NOTES
		CW	HW	VENT	WASTE	
P-1	WATER CLOSET - TANK TYPE	1/2"	---	2"	3"	
P-2	LAVATORY, WALL MOUNT	1/2"	1/2"	1-1/2"	1-1/2"	
P-3	EXAM SINK	1/2"	1/2"	1-1/2"	1-1/2"	
P-4	STAFF SINK 1	1/2"	1/2"	1-1/2"	2"	
P-5	NURSE STATION NOURISHMENT SINK	1/2"	1/2"	1-1/2"	2"	
P-6	CLEAN ROOM SINK 1	1/2"	1/2"	1-1/2"	1-1/2"	
P-7	CLEAN ROOM SINK 2	1/2"	1/2"	1-1/2"	1-1/2"	
P-8	POST OP SINK	1/2"	1/2"	1-1/2"	1-1/2"	
P-9	SCRUB SINK	1/2"	1/2"	1-1/2"	1-1/2"	
DW	DISHWASHER HOOK-UP	---	1/2"	---	1-1/2"	
WHYD	WALL HYDRANT	3/4"	---	---	---	INSTALL ONLY

E1 15446 - EJECTOR PUMP - ZOELLER SIMPLEX
 12" = 1'-0"



C1 DETAIL - DOMESTIC WATER ENTRANCE PIPING
 12" = 1'-0"



A1 INDIRECT HEATER PIPING DETAIL
 1" = 1'-0"

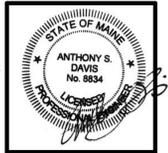
NONE SCHEDULES - PLUMBING



ALLIED PROJECT No.: 12064
 CAD FILE:

COPYRIGHT 2012
 PDT Architects
 Reuse or reproduction of the contents of this document is not permitted without written permission of PDT Architects.

E.M.G. - PHASE 2 ADDITION & RENOVATION
 53 Sewall Street, Portland, ME 04102



PDT JOB NO. 12084

DRWN. CHK Checker

SCALE: As indicated

ISSUE: JULY 11, 2013

TITLE PLUMBING SCHEDULES, DETAILS AND NOTES

SHEET PL500

7/11/2013 5:54:27 PM N:\Projects\2012\12064 - Eyecare Medical Group-Addition and Renovation\00 Drawing Files\12064_M.rvt