

5

4

3

2

1

D

C

B

A

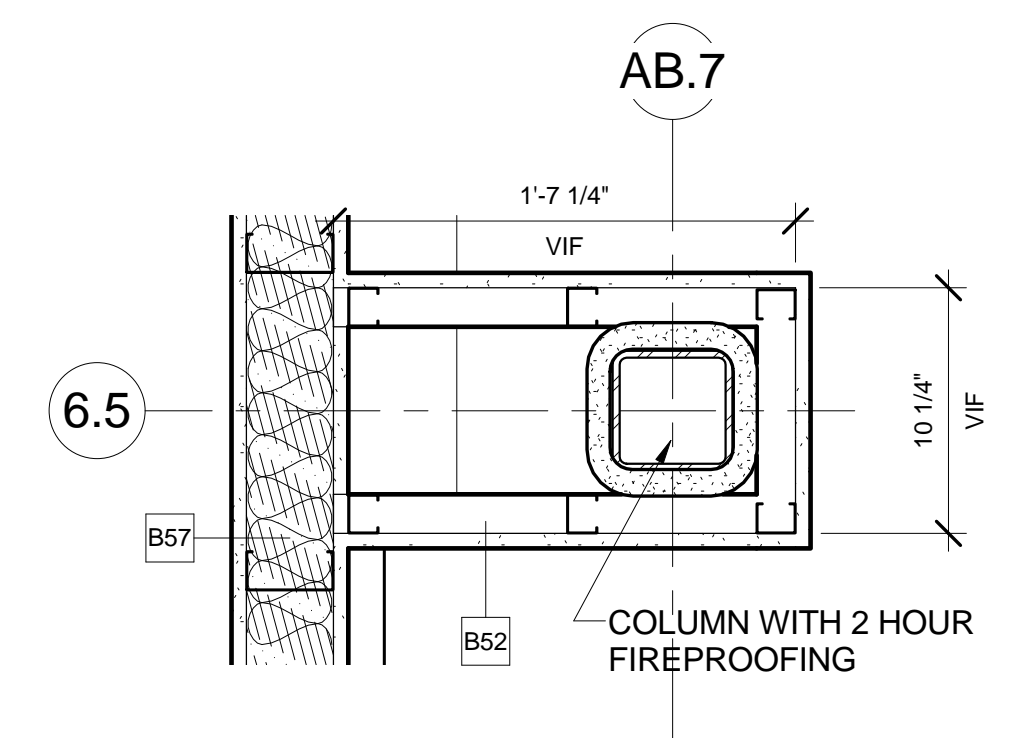
5

4

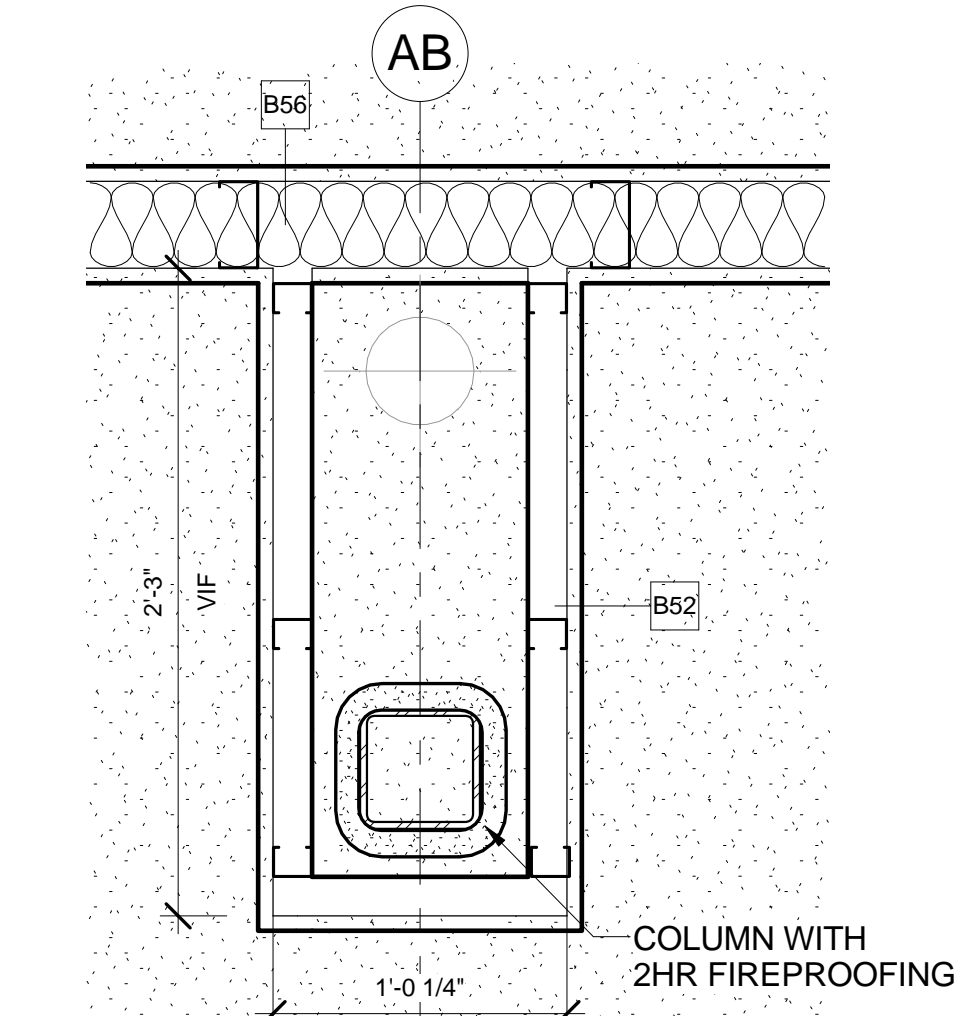
3

2

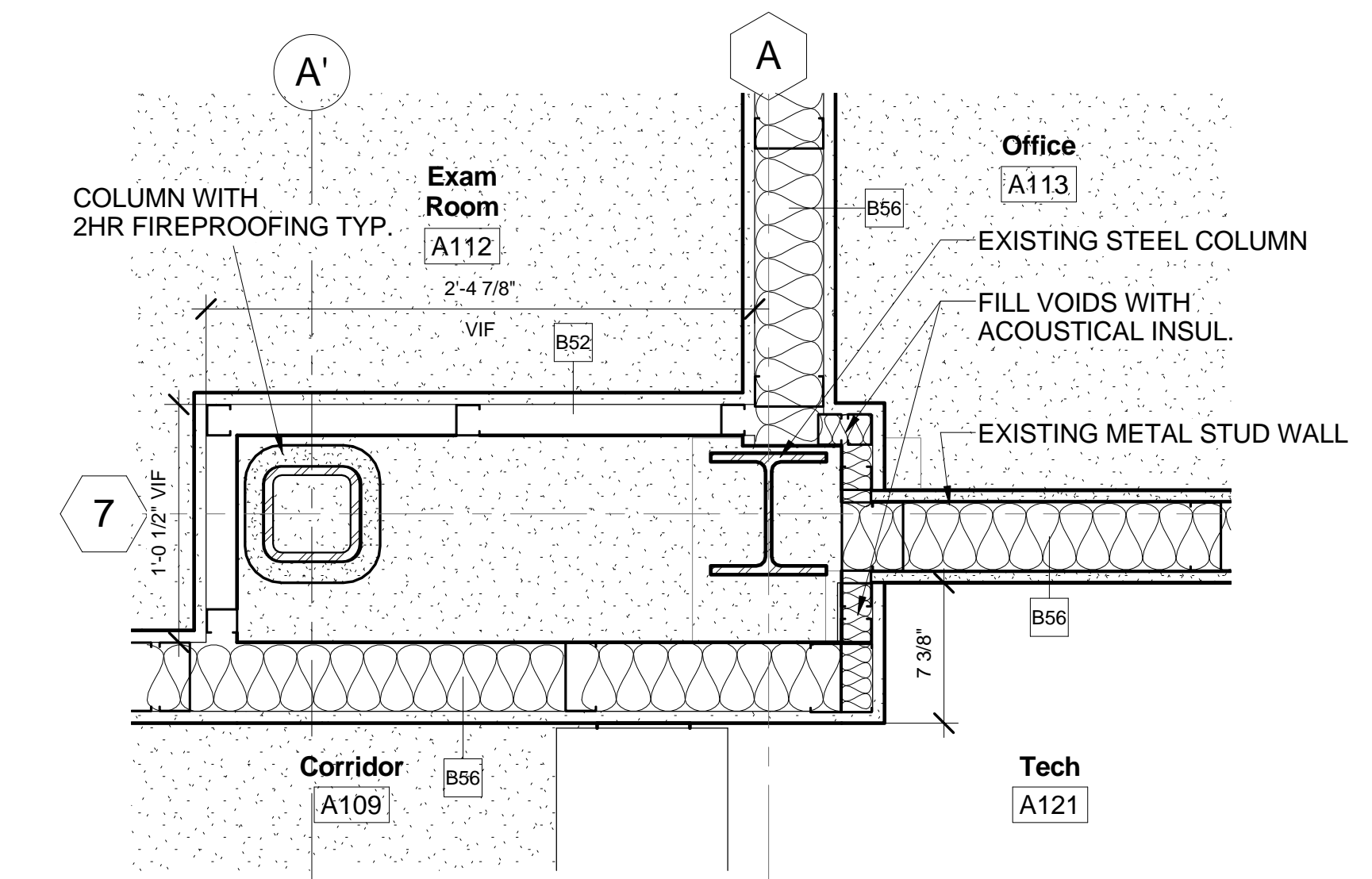
1



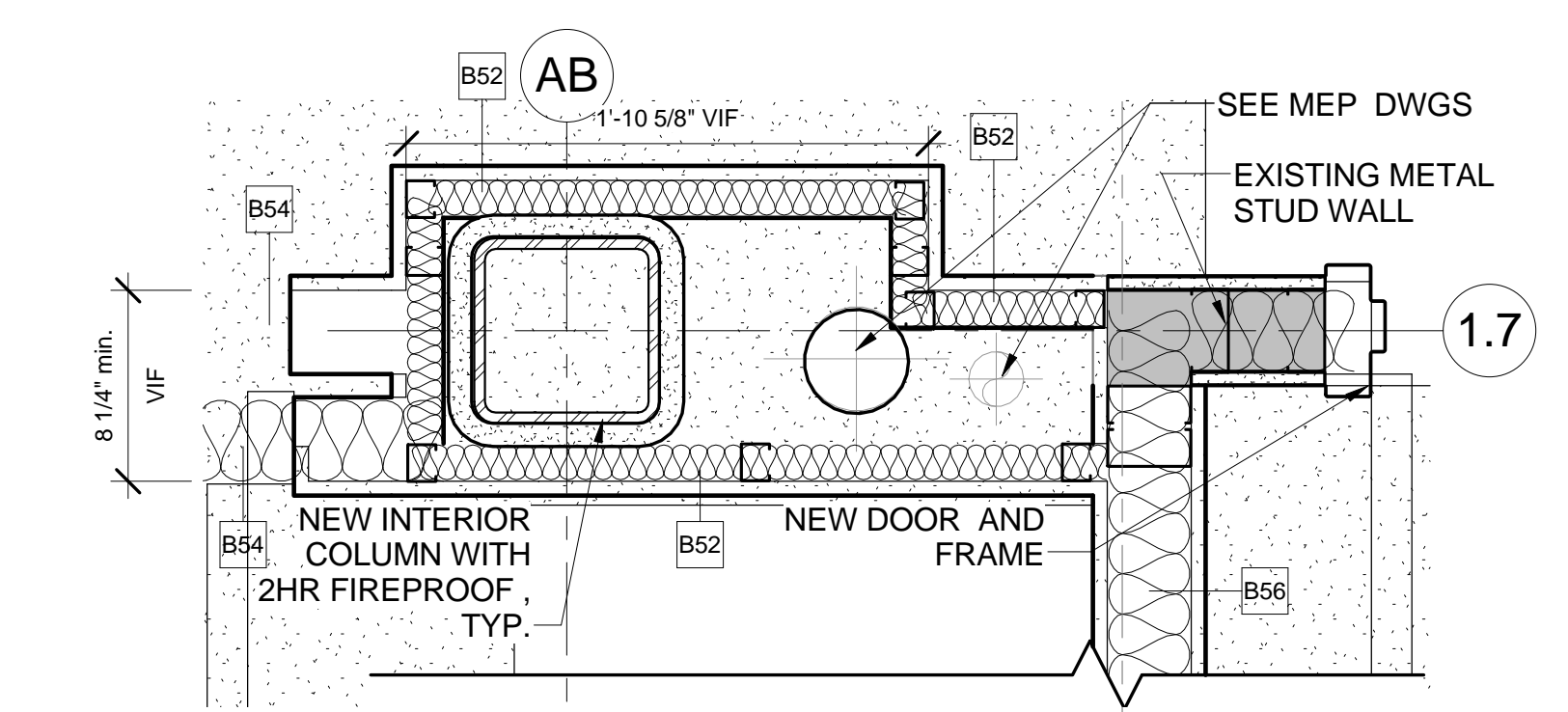
D2 PLAN DETAIL - COLUMN AT STORAGE A103
1 1/2" = 1'-0"



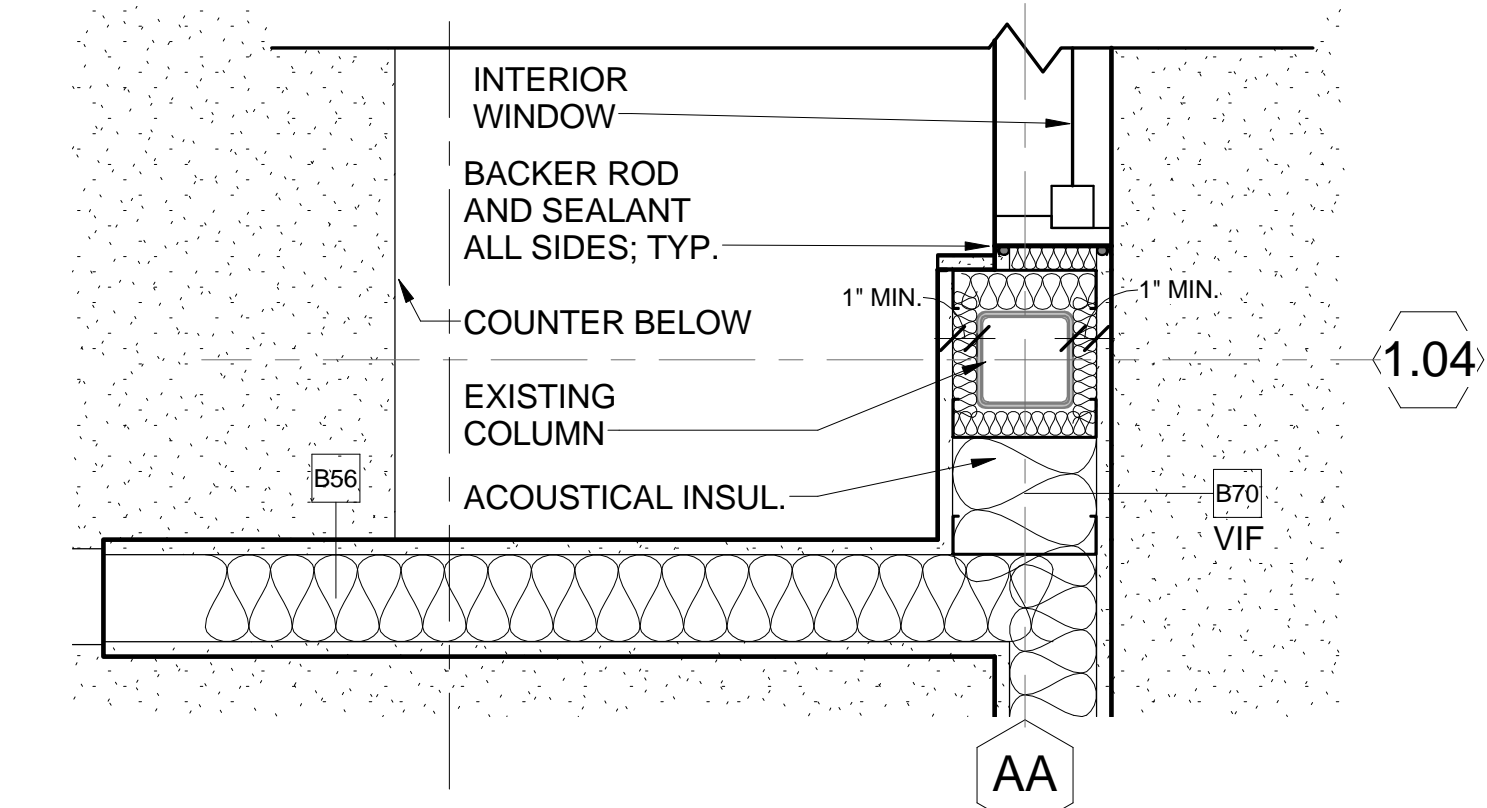
D1 PLAN DETAIL - COLUMN AT WAITING B100
1 1/2" = 1'-0"



C2 PLAN DETAIL @ COLUMNS AT EXAM ROOM A112
1 1/2" = 1'-0"



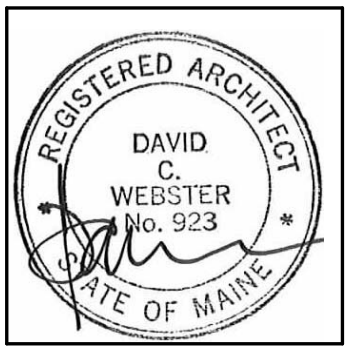
A2 PLAN DETAIL - COLUMNS AT CLEAN B118
1 1/2" = 1'-0"



PDT ARCHITECTS
49 DARTMOUTH STREET
PORTLAND, MAINE 04101
207-775-1059
www.pdtarchs.com

COPYRIGHT 2013 PDT Architects
Reuse or reproduction of the contents of this document is not permitted without written permission of PDT Architects.

E. M. G.-PHASE 2-ADDITION & RENOVATION
53 Sewall Street, Portland, ME 04102



JOB NO.
12084

DRWN. CHK
AJK

SCALE:
1 1/2" = 1'-0"

ISSUE
July 11, 2013

TITLE
PLAN DETAILS

SHEET

A502