



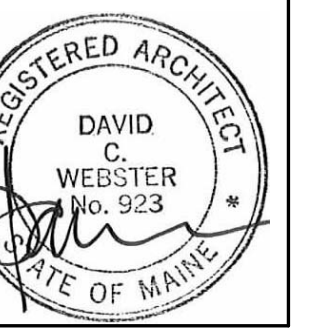
PDT
ARCHITECTS

49 DARTMOUTH STREET
PORTLAND, MAINE 04101
207-775-1059
www.pdtarch.com

COPYRIGHT 2013
PDT Architects

Reuse or reproduction of the contents of this document is not permitted without written permission of PDT Architects.

E. M. G. PHASE 2-ADDITION & RENOVATION
53 Sewall Street, Portland, ME 04102



JOB NO.
12084

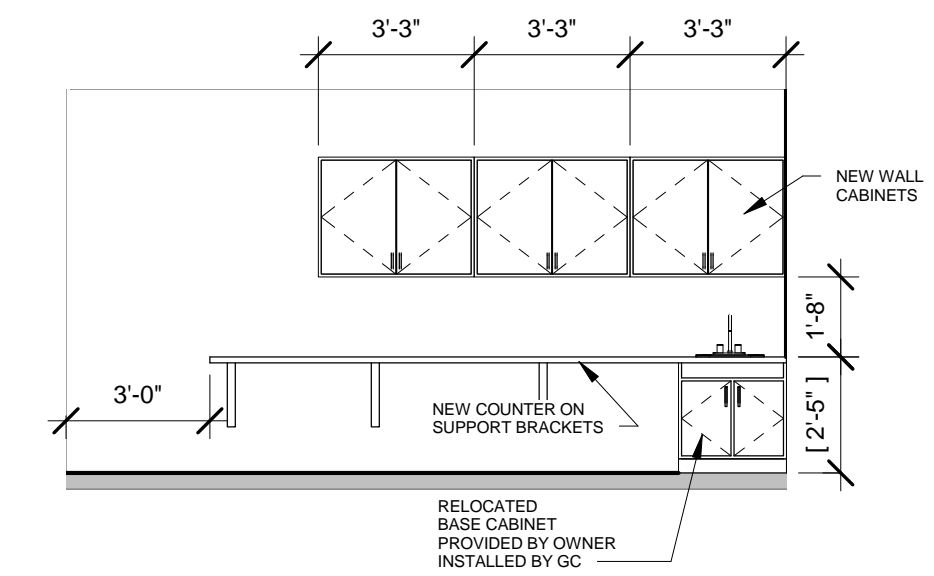
DRWN. CHK
AJK

SCALE:
1/4" = 1'-0"

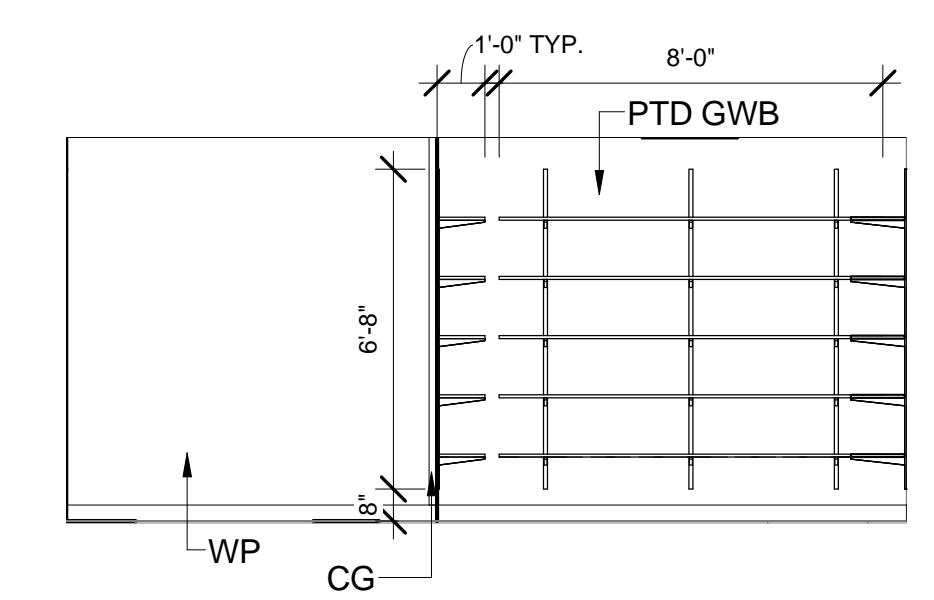
ISSUE
July 11, 2013

TITLE
INTERIOR ELEVATIONS

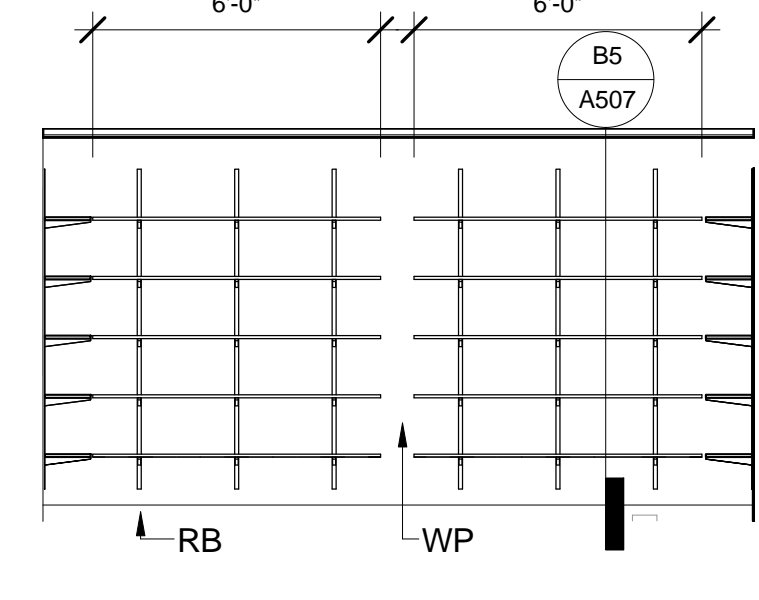
SHEET
A202



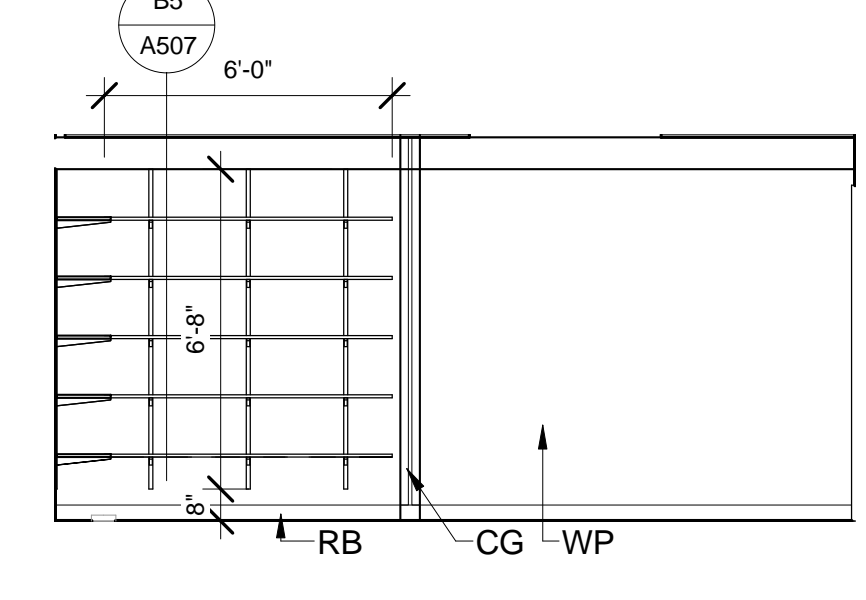
E1 PHOTOGRAPHY-WEST
1/4" = 1'-0"



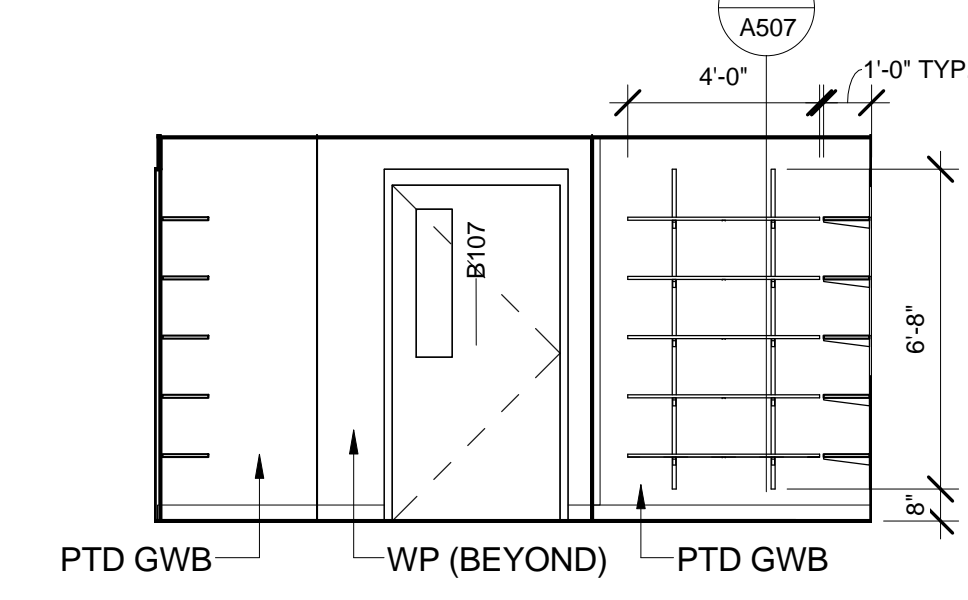
D1 Storage West
1/4" = 1'-0"



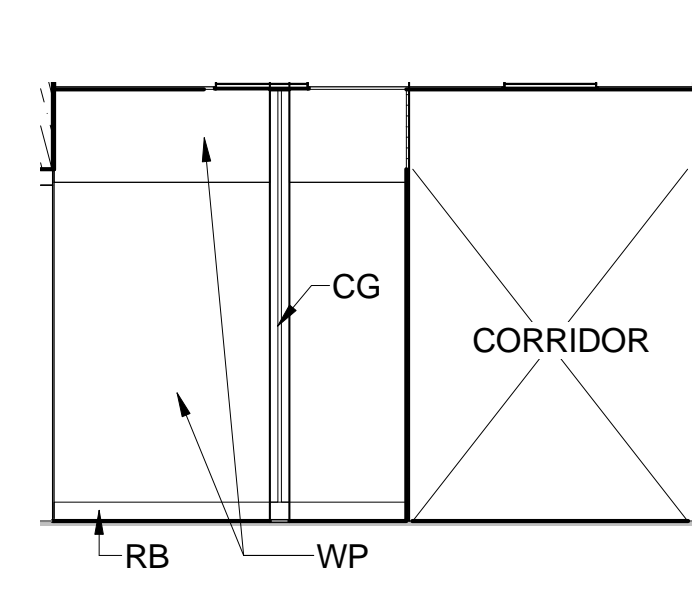
D2 Storage North
1/4" = 1'-0"



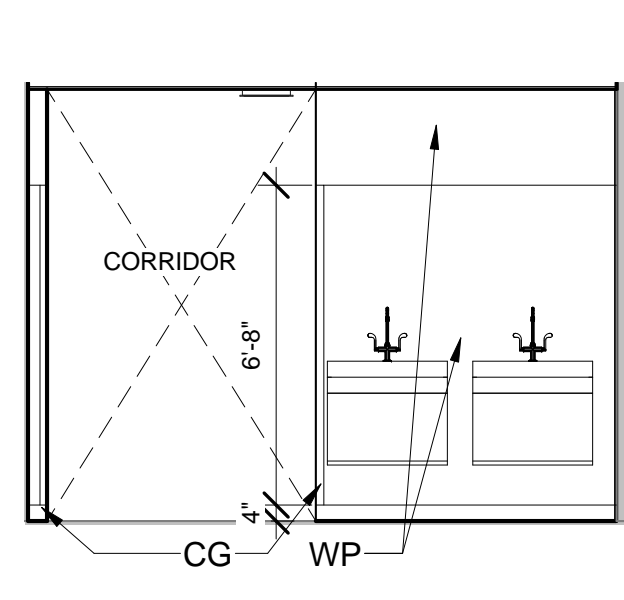
D3 Storage East
1/4" = 1'-0"



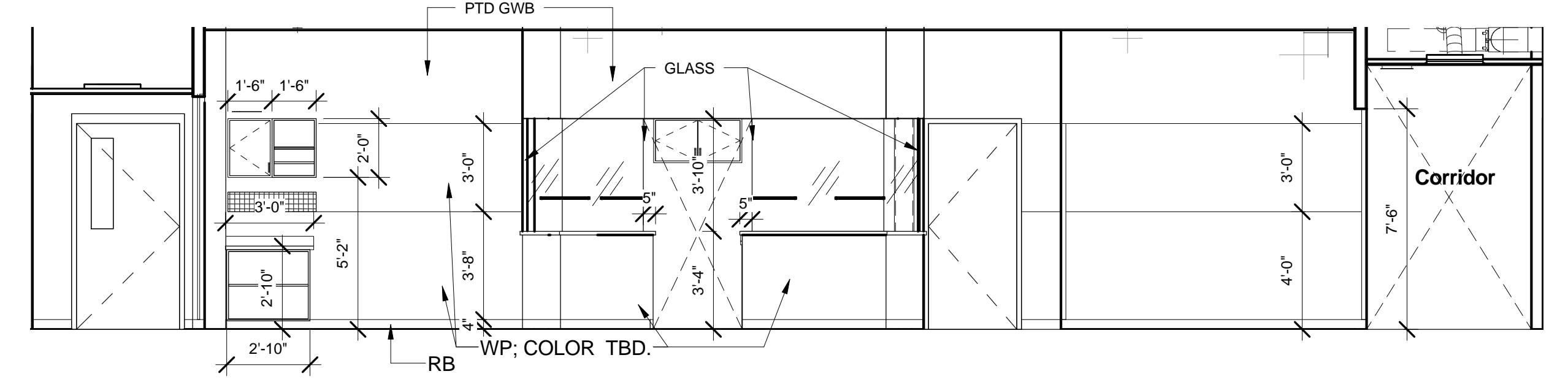
D4 Storage South
1/4" = 1'-0"



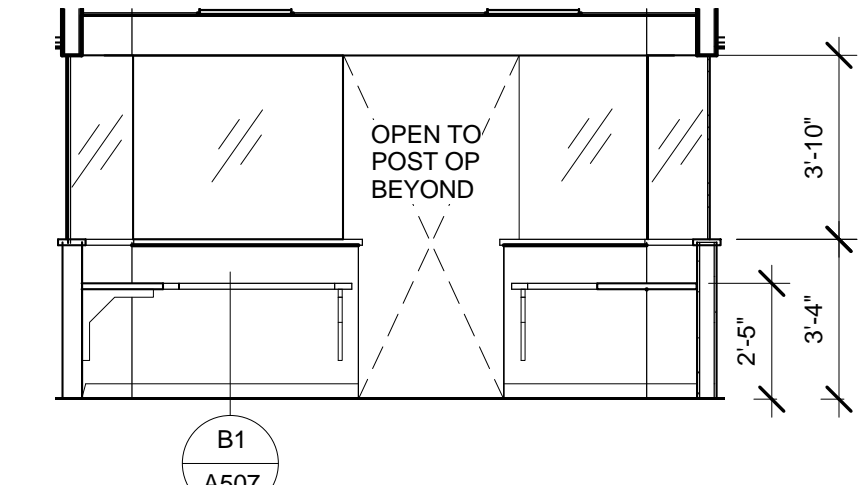
D5 Alcoves
1/4" = 1'-0"



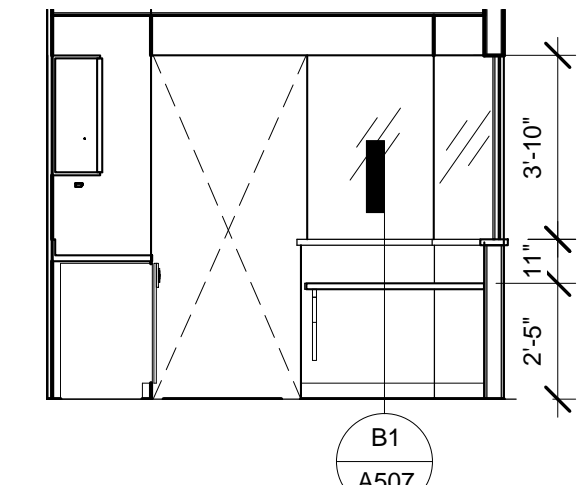
D6 Scrub Area
1/4" = 1'-0"



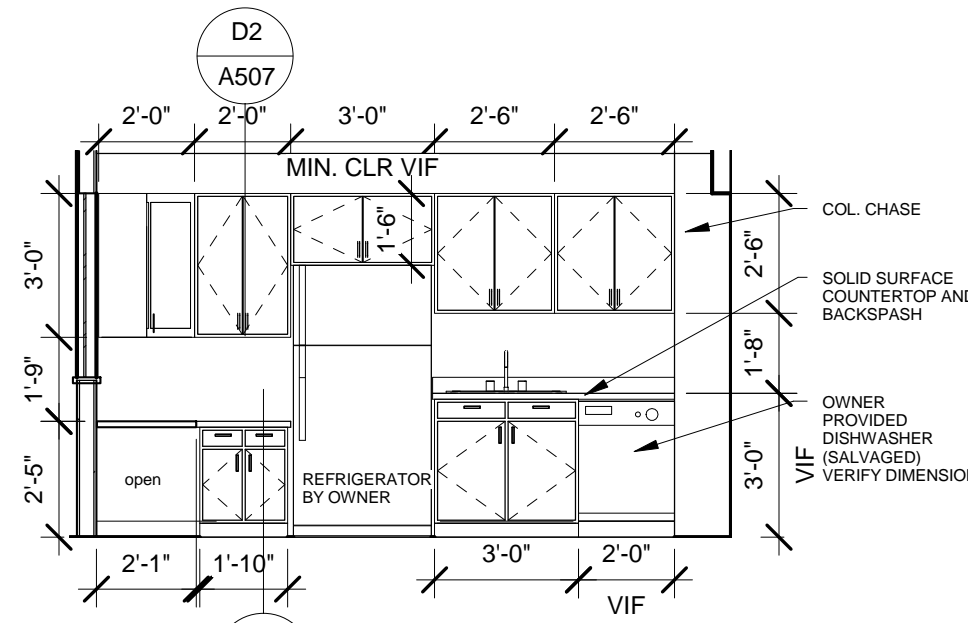
C1 Post-Op East
1/4" = 1'-0"



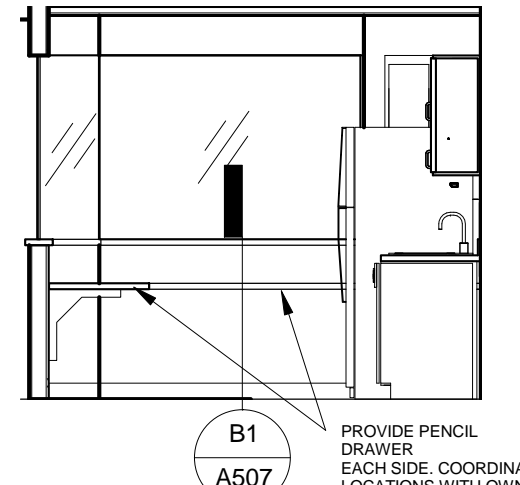
C2 Nurse Station West
1/4" = 1'-0"



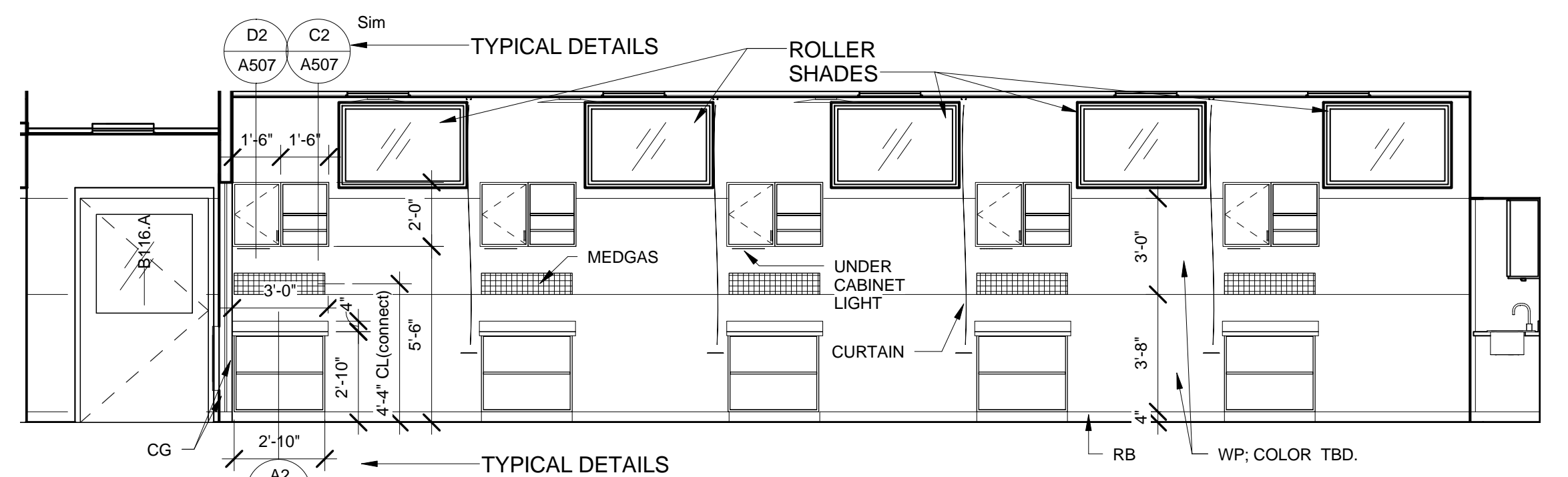
C3 Nurse Station South
1/4" = 1'-0"



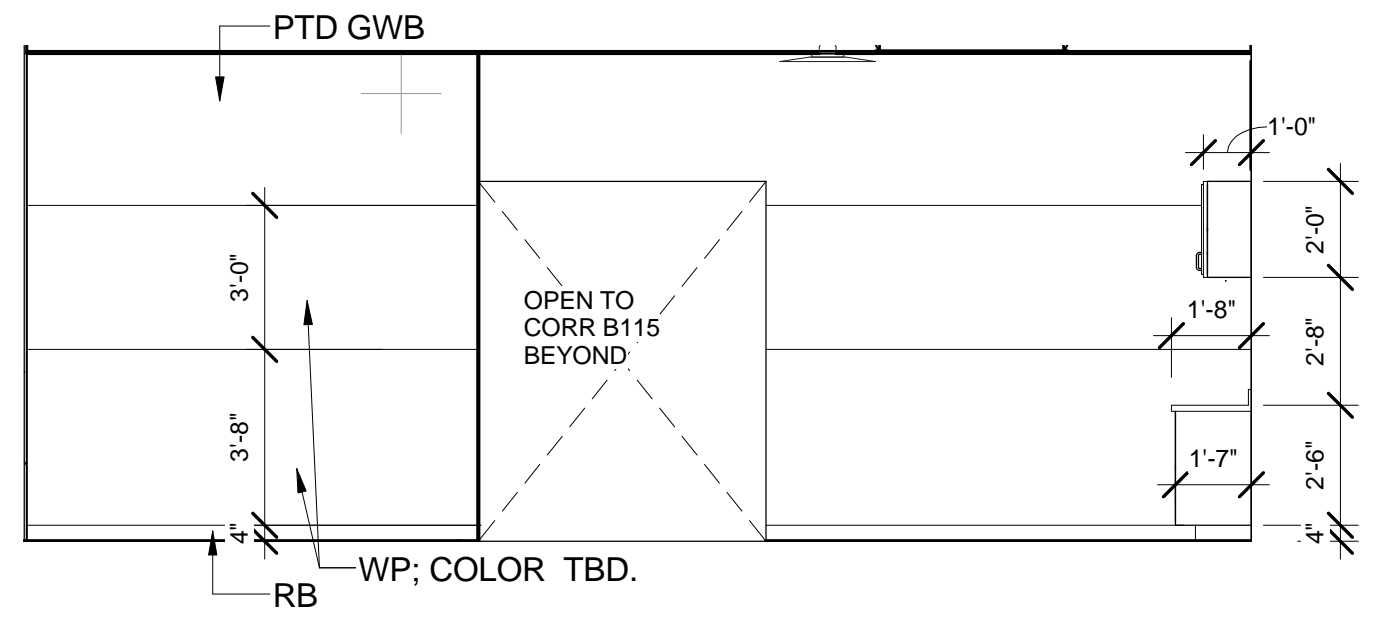
C4 Nurse Station East
1/4" = 1'-0"



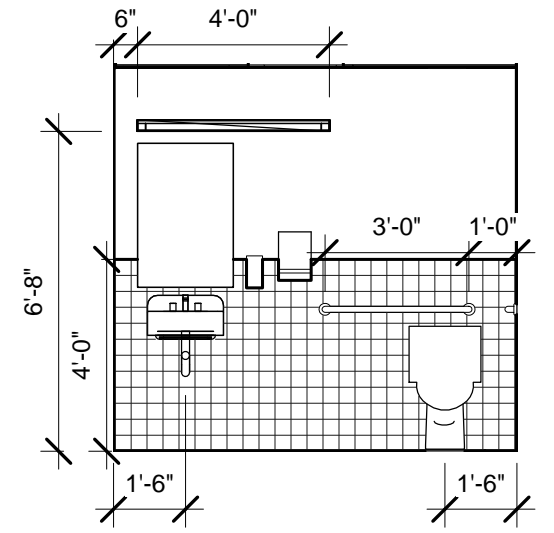
C5 Nurse Station North
1/4" = 1'-0"



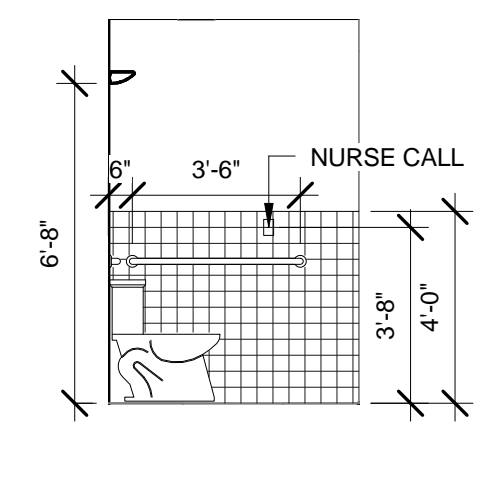
B1 Post-Op West
1/4" = 1'-0"



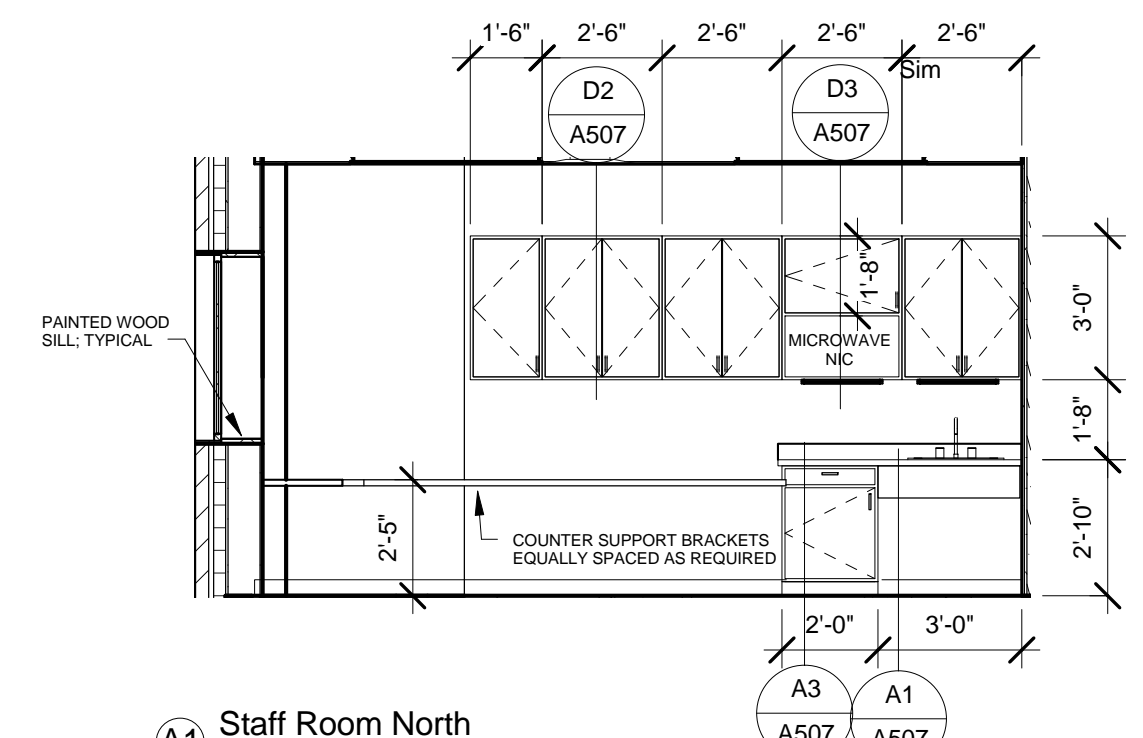
B2 Post-Op South
1/4" = 1'-0"



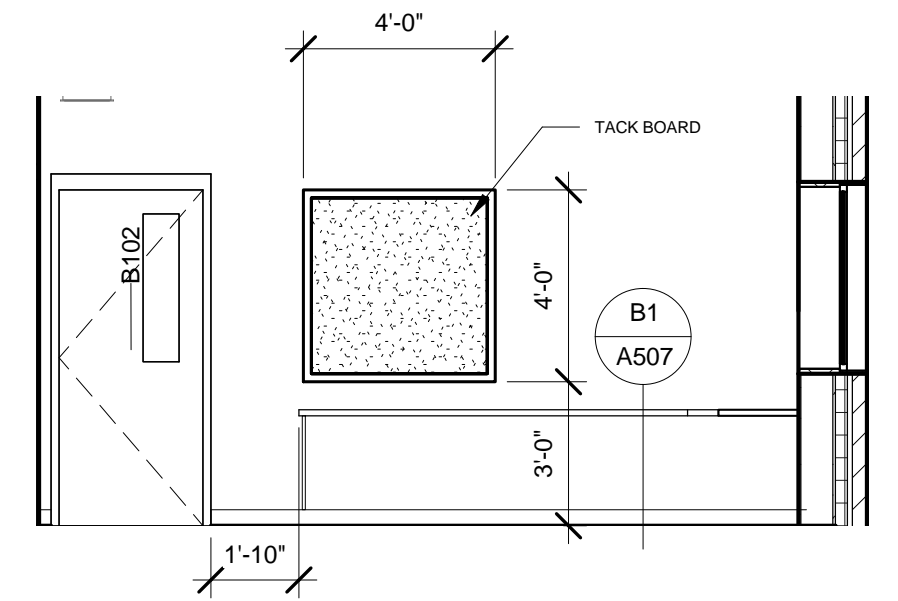
B3 Toilet Room
1/4" = 1'-0"



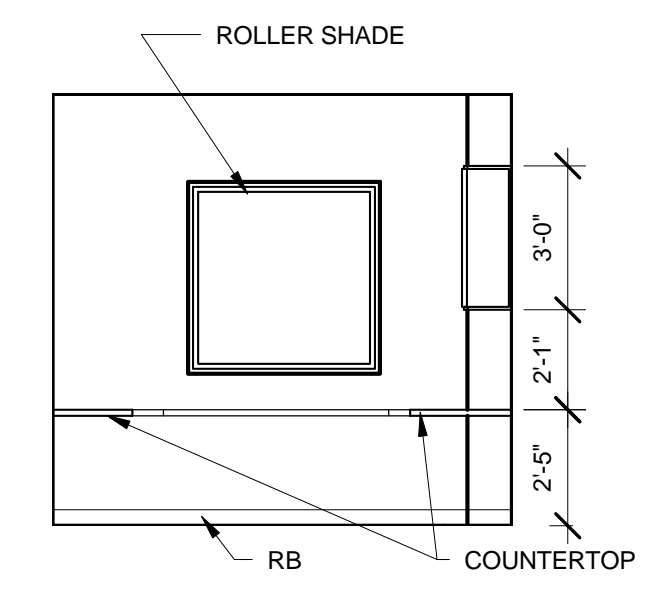
B4 Toilet Room - Side
1/4" = 1'-0"



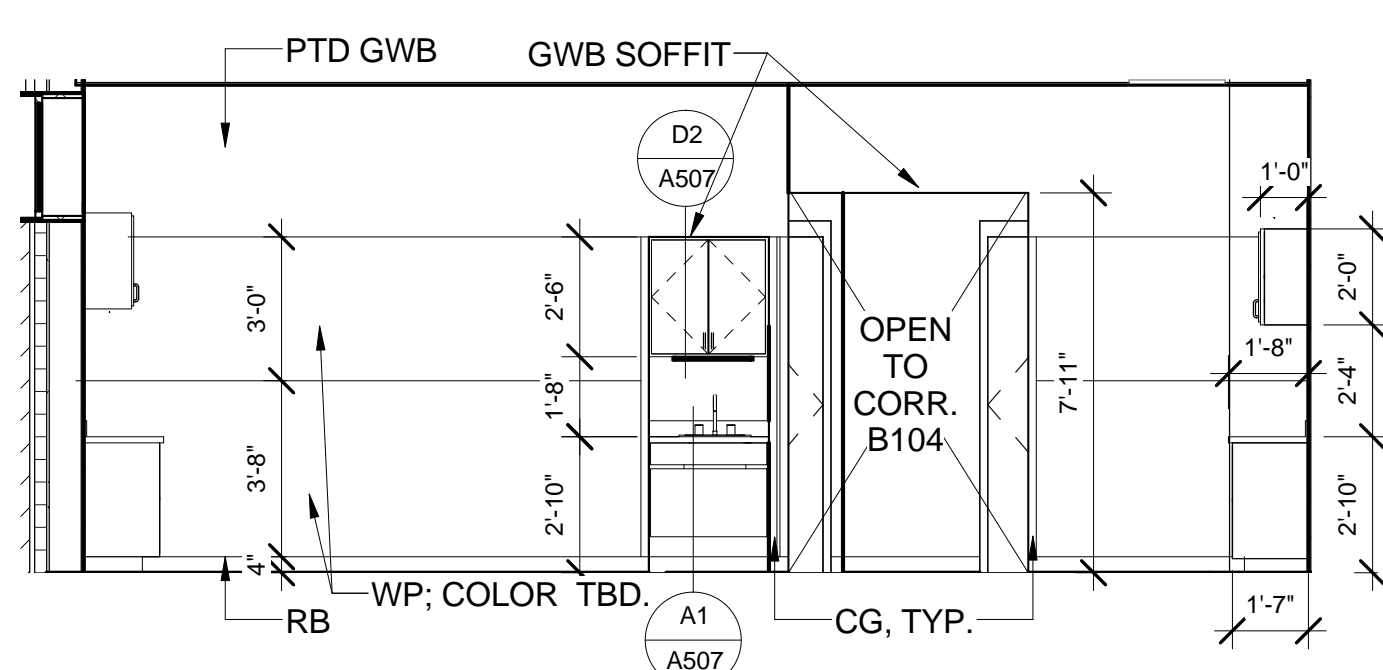
A1 Staff Room North
1/4" = 1'-0"



A3 Staff - South
1/4" = 1'-0"



A2 Staff Room West
1/4" = 1'-0"



A4 Post-Op North
1/4" = 1'-0"