

LEGEND:

RISER DIAG SYM	CONTRACT DWG SYM	NFPA SYMBOL *	DESCRIPTION	CATALOG #
[FACP]	[FACP]	[FACP]	Fire Alarm Control Panel (Existing)	EST2
[BPS6A]		[FACU]	NAC Power Extender Panel	BPS6A
[F]	[F]	[P]	Addressable Manual Pull Station	SIGA-278
[?]		[?]	Duct Smoke Detector	DA120 DS1-3
[RS]		[X]	Remote Test & Indicating Station	RTS151 KEY
[CT2]		[AM]	Addressable Dual Input Module	SIGA-CT2
[CR]		[ADM]	Addressable Control Relay Module	SIGA-CR
[CC1S]		[ADM]	Addressable Signal Control Module	SIGA-CC1S
[S]	[S]	[S]	Strobe Unit - Red Wall Mount	G1RF-VM
[H]	[H]	[H]	Horn/Strobe Unit - Red Wall Mount	G1RF-HDVM

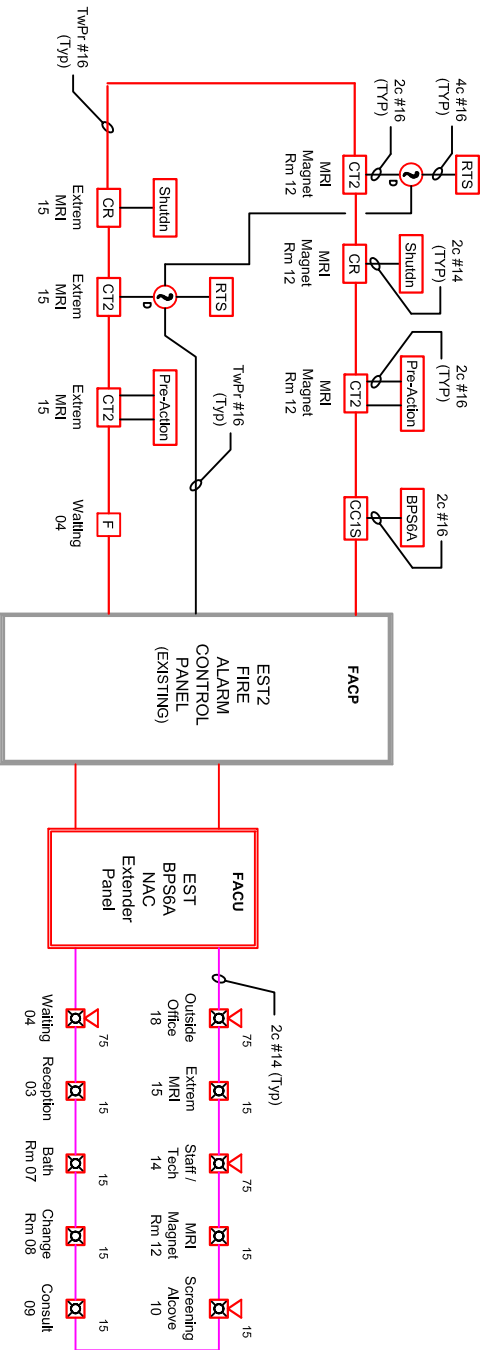
* NFPA 170 (2009)
Tables: 6.5, 6.7.1, 6.7.2, & 6.7.3

GENERAL NOTES:

- ALL WIRING IN ACCORDANCE WITH NATIONAL ELECTRICAL CODE, STATE OF MAINE BUILDING CODE (IBC), LOCAL AUTHORITY HAVING JURISDICTION, AND MANUFACTURER'S REQUIREMENTS & RECOMMENDATIONS.

WIRING NOTES:

- Addressable Loop circuit consists of a minimum: Tw/Pr #16 from FACP to 1st device; Tw/Pr #16 through remaining devices on circuit and return to FACP. Maintain proper separation between feed and return.
- Horn/Strobe Circuit consists of a minimum: 2c #14 from FACP to 1st device; 2c #14 through remaining devices on circuit and returns to FACP. Maintain proper separation between feed and return.



RISER DIAGRAM

DWG NAME:

OA Centers for Orthopedics
33 Sewall Street
Portland, Maine
Fire Alarm Riser Diagram

DWG No: FA-001

R.B. Allen
Co., Inc.
P.O. BOX 770
131 LAFAYETTE RD
NO. HAMPTON, NH 03862
1-800-258-7264

DATE	DRWN:	RVWD:
6/13	LG/DH	TD

REV.	DESCRIPTION
0	Original Issue