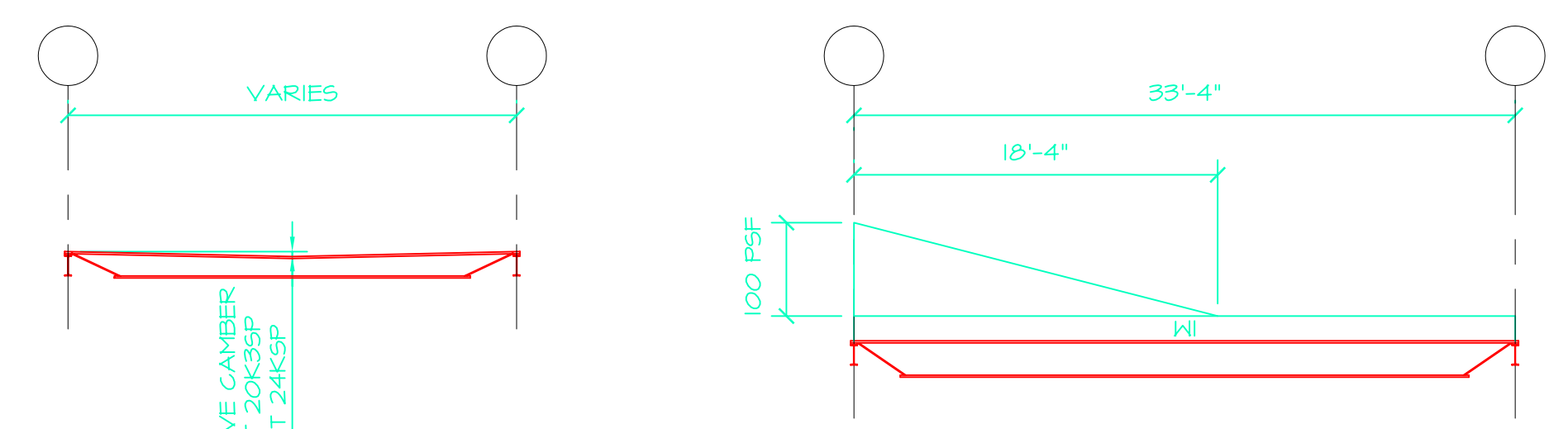


ELEVATION A  
1/8"=1'-0"

LOOSE LINTEL SCHEDULE	
ROUGH OPENING	LINTEL SIZE
UP TO 3'-0"	L3x3x5/16
>3'-0" TO 4'-6"	L4x3x5/16 LLV
>4'-6" TO 6'-0"	L5x3x5/16 LLV
>6'-0" TO 9'-0"	L6x3x5/16 LLV

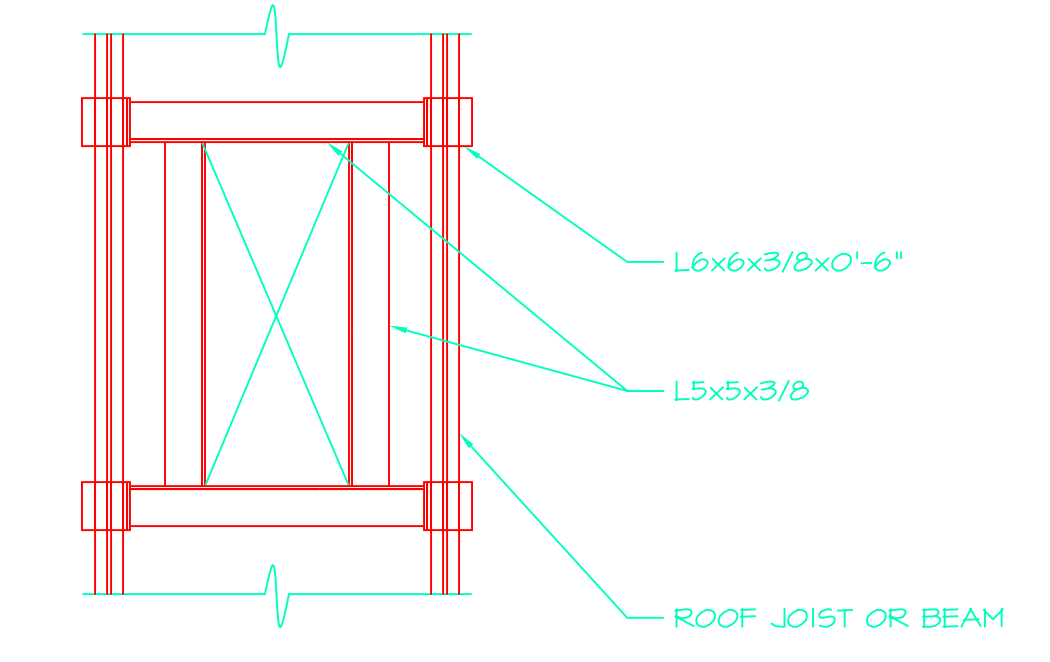
ALL LINTELS ARE GALVANIZED  
PROVIDE 6" BEARING AT EACH END

COLUMN SCHEDULE					
COLUMN MARK	SIZE	BOT. OF BASE PL. ELEV.	BASE PL. TYPE	TOP OF COLUMN ELEV.	COMMENTS
A-0.4	H56x4x1/4	99'-5 3/4"	A	113'-9"	
A-2.0	H56x4x1/4	99'-5 3/4"	A	111'-0 5/8"	
A-5.3	H56x4x1/4	99'-5 3/4"	A	113'-5"	
A-5.7	H56x4x1/4	99'-5 3/4"	A	113'-5"	
A-7	H55x5x1/4	113'-9"	C	127'-2 1/2"	
A-B.6 LOWER	H56x4x3/8	99'-5 3/4"	A	112'-0 5/8"	
A-B.6 UPPER	H56x4x1/4	113'-6 1/2"	G	127'-2 1/2"	
A-9	H56x4x1/4	113'-6 1/2"	D	127'-2 1/2"	
B-0.4	H56x4x1/4	99'-5 3/4"	A	127'-5 1/2"	
B-1	H56x4x1/4	113'-9"	E	127'-5 1/2"	
B-9	H55x5x1/4	112'-10 1/8"	F	126'-6 1/8"	REINFORCE EXIST. LOWER LEVEL COL.
B-11	H56x4x1/4	113'-9"	E	127'-2 1/2"	
POST-0.4	H56x4x1/4	99'-5 3/4"	B	111'-1 1/8"	
E.6-4.9	H56x4x1/4	115'-1 1/2"	G	123'-2 3/4"	
E.6-6"	H56x4x1/4	115'-1 1/2"	G	123'-2 3/4"	

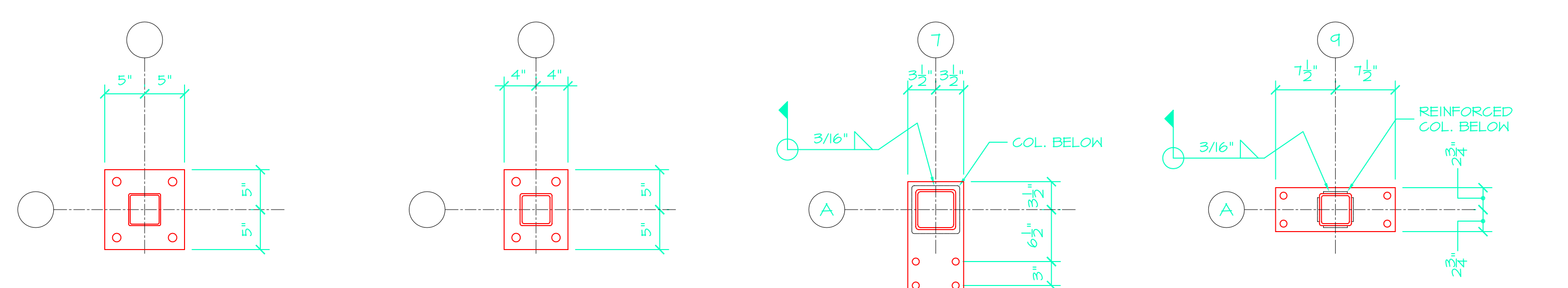


5P JOIST CONFIGURATIONS  
1/8"=1'-0"

24KSP JOIST LOADING  
1/8"=1'-0"



TYPICAL ROOFTOP OPENING FRAME  
NO SCALE  
COORDINATE SIZE AND LOCATION WITH EQUIPMENT

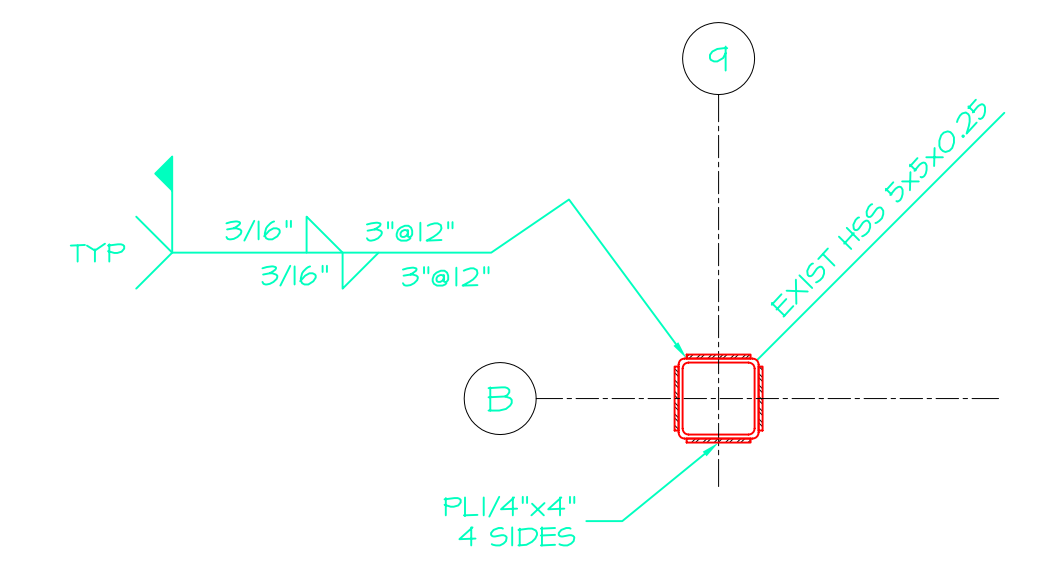


TYPE A  
THICKNESS = 3/4"  
HOLE EDGE DIST. = 1 1/2"  
HOLE DIA. = 1 1/16"

TYPE B  
THICKNESS = 1/2"  
HOLE EDGE DIST. = 1 1/2"  
HOLE DIA. = 1 1/16"

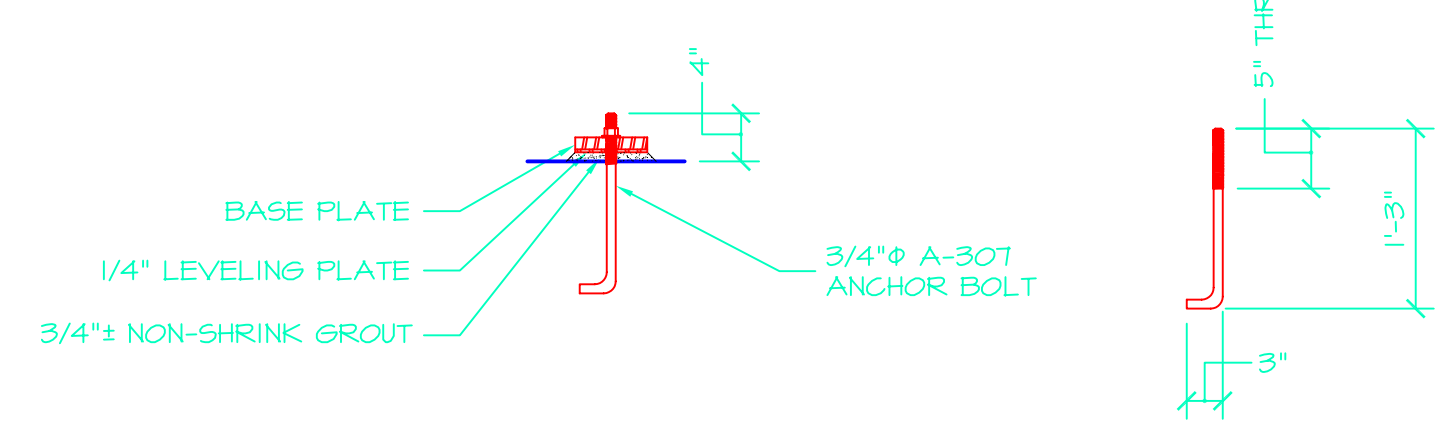
TYPE C  
THICKNESS = 1/2"  
HOLE EDGE DIST. = 1"  
HOLE DIA. = 7/8"  
FIELD DRILL EXIST BEAM BELOW.

TYPE D  
THICKNESS = 1/2"  
HOLE EDGE DIST. = 1"  
HOLE DIA. = 7/8"  
FIELD DRILL EXIST BEAM BELOW.

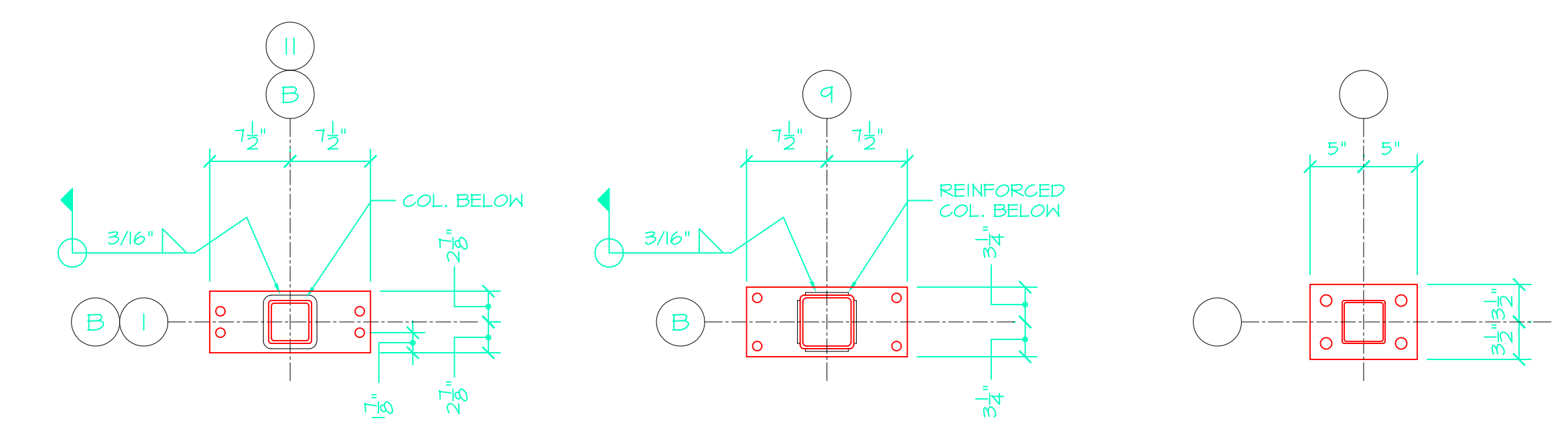


COL. REINF. DETAIL  
1"=1'-0"

SHORE EXISTING BEAMS FRAMING INTO COL. BEFORE REINFORCING.  
WELD ALL PLATES FROM TOP TO BOTTOM OR BOTTOM TO TOP SIMULTANEOUSLY.  
CONTINUE REINFORCING FROM TOP OF SLAB TO BOTTOM OF EXISTING CONNECTION.



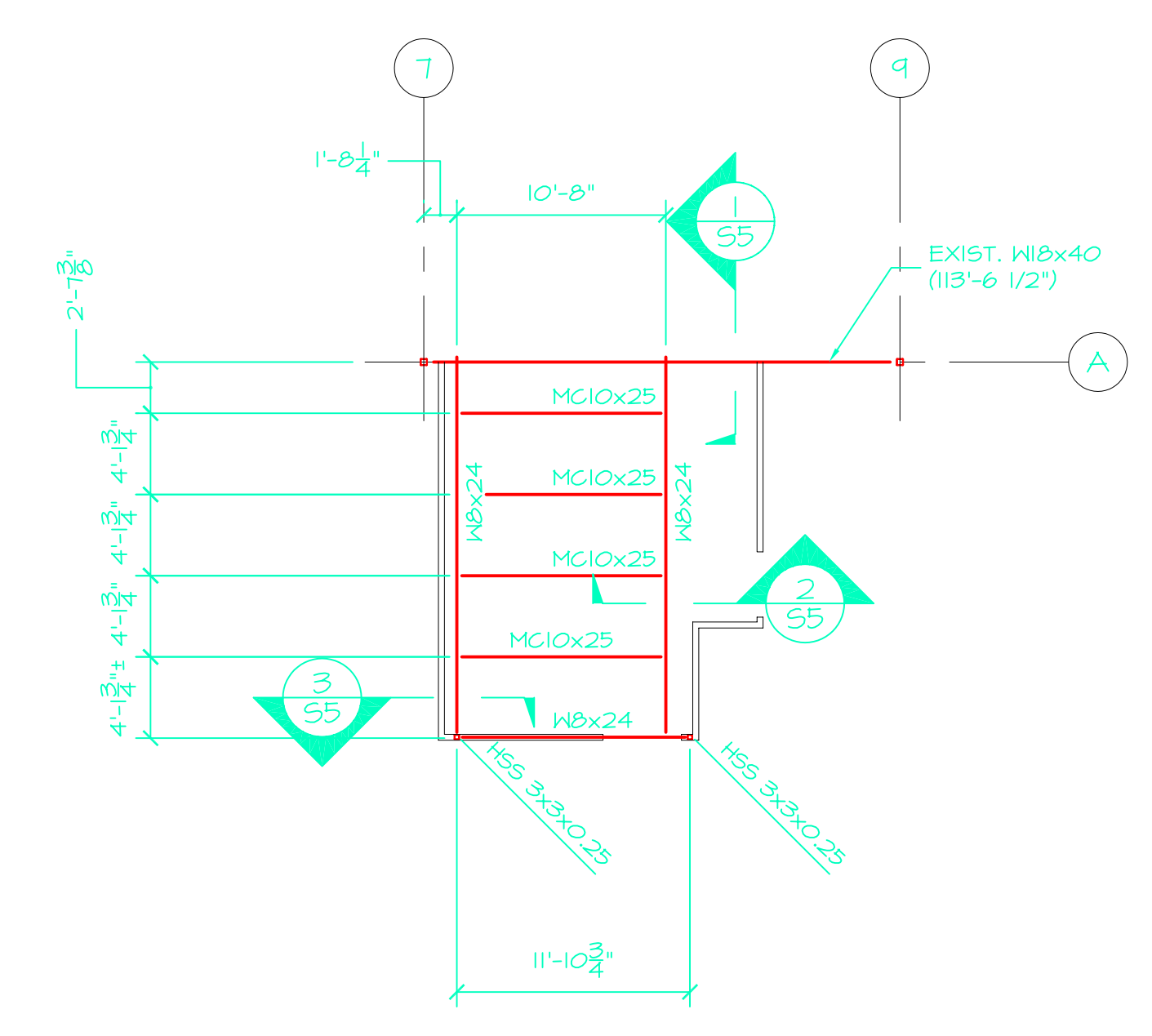
TYPICAL ANCHOR ROD DETAILS  
3/4"=1'-0"



TYPE E  
THICKNESS = 1/2"  
HOLE EDGE DIST. = 1" U.N.G.  
HOLE DIA. = 7/8"  
FIELD DRILL EXIST BEAM BELOW.

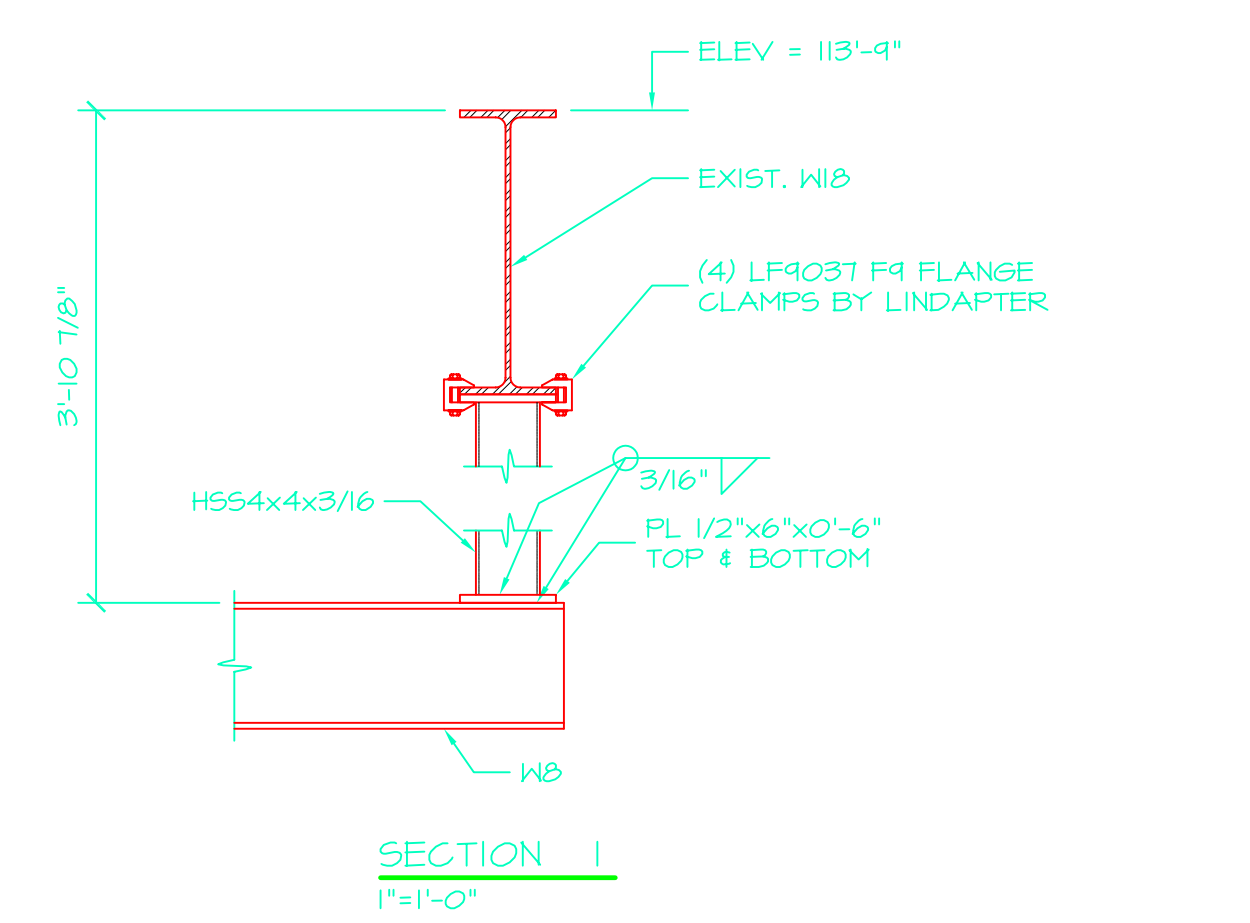
TYPE F  
THICKNESS = 1/2"  
HOLE EDGE DIST. = 1"  
HOLE DIA. = 7/8"  
FIELD DRILL EXIST BEAM BELOW.

BASE PLATE DETAILS  
1"=1'-0"

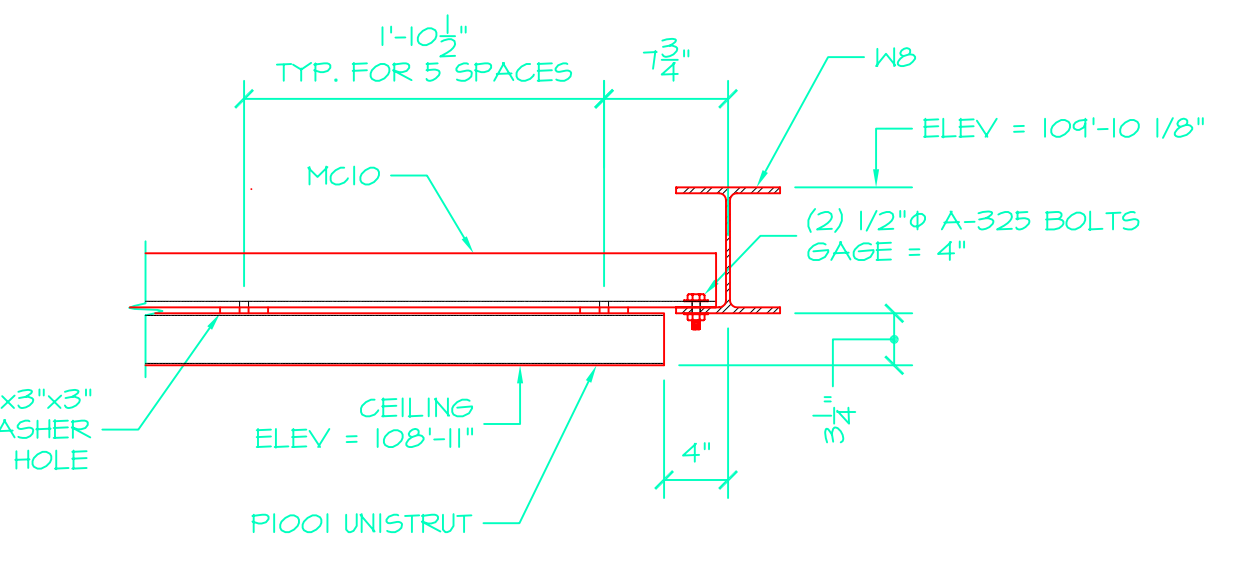


X-RAY SUPPORT FRAME PLAN  
1/8"=1'-0"

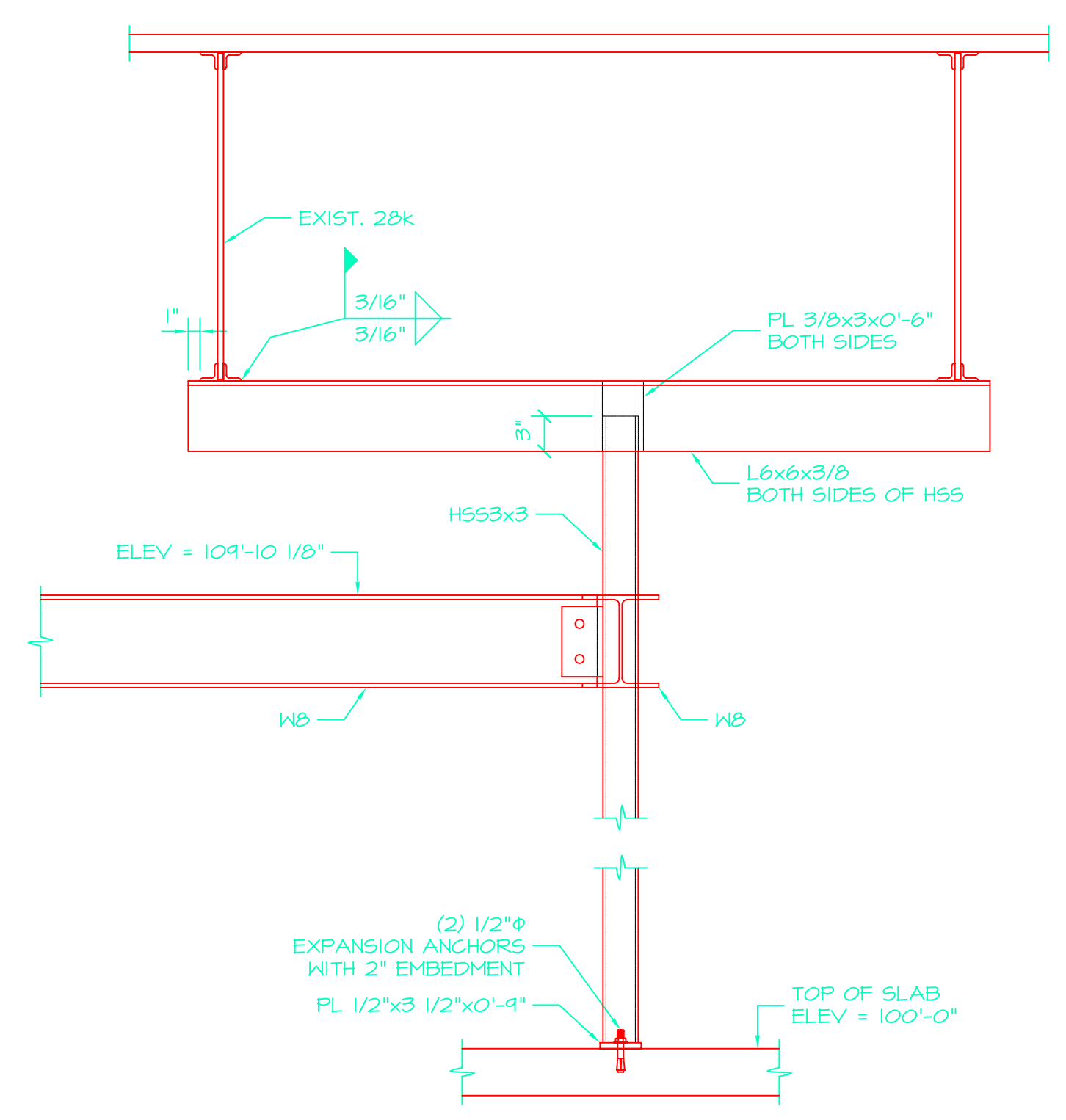
ALL EXISTING CONDITIONS MUST BE FIELD VERIFIED. COORDINATE ALL DIMENSIONS AND ELEVATIONS WITH EQUIPMENT MANUFACTURER.



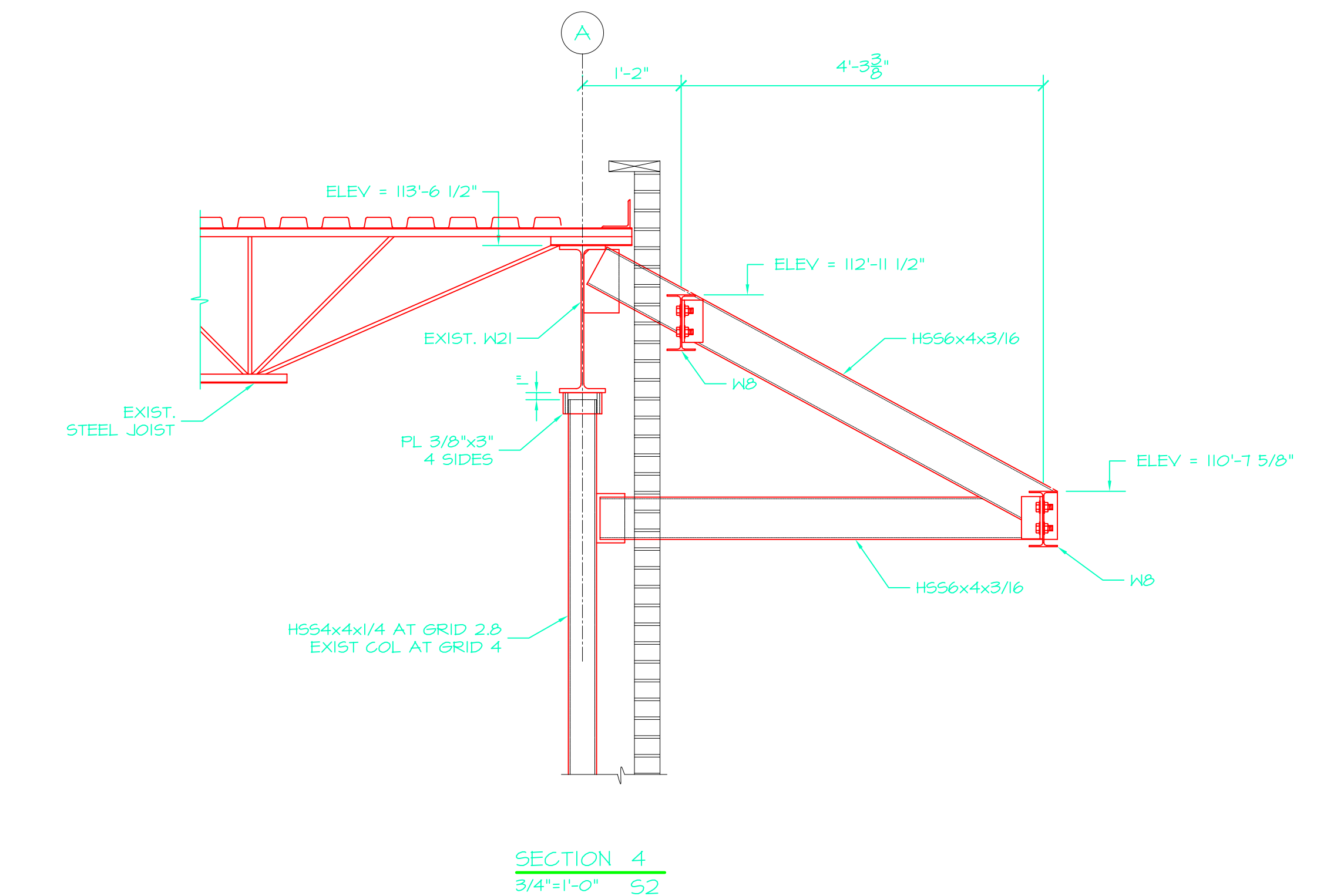
SECTION 1  
1"=1'-0"



SECTION 2  
1"=1'-0"



SECTION 3  
1"=1'-0"



SECTION 4  
3/4"=1'-0"