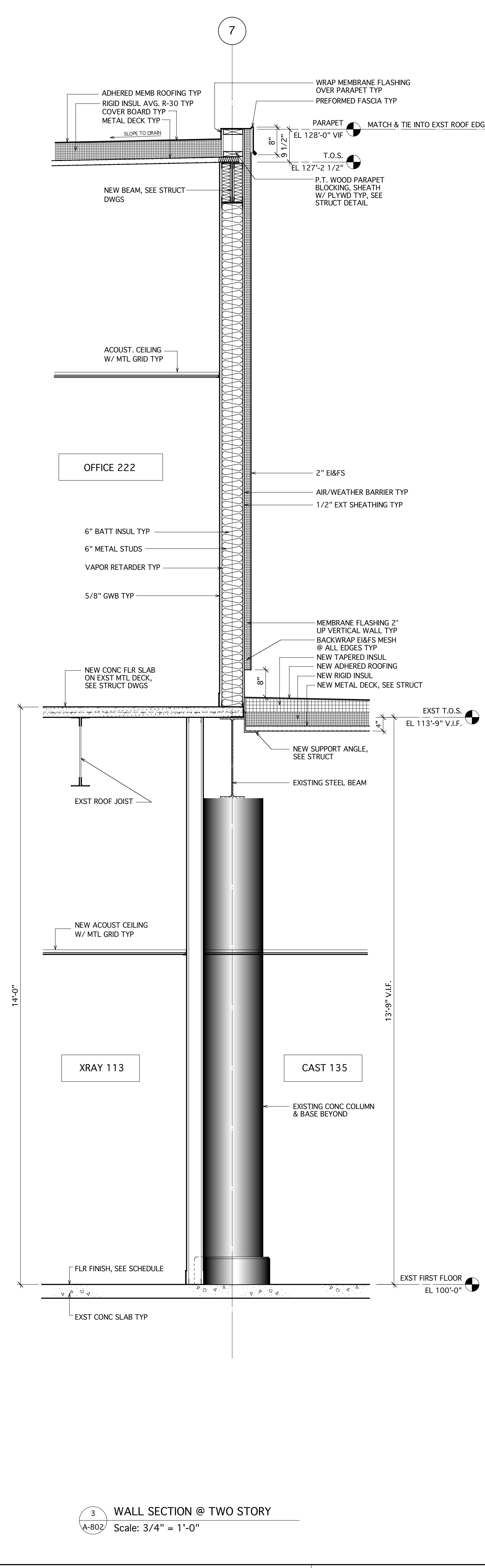
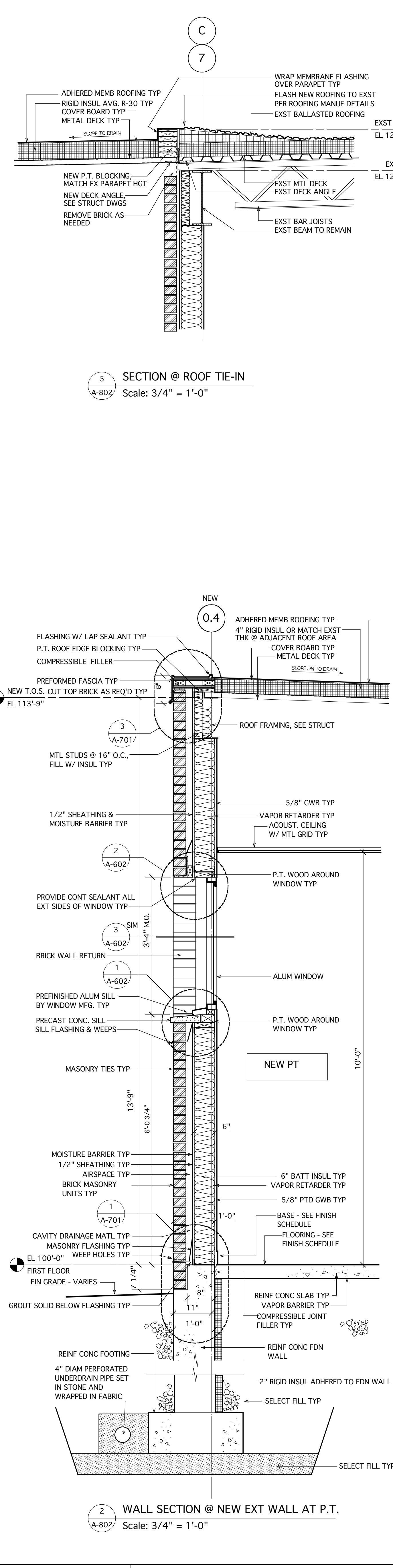


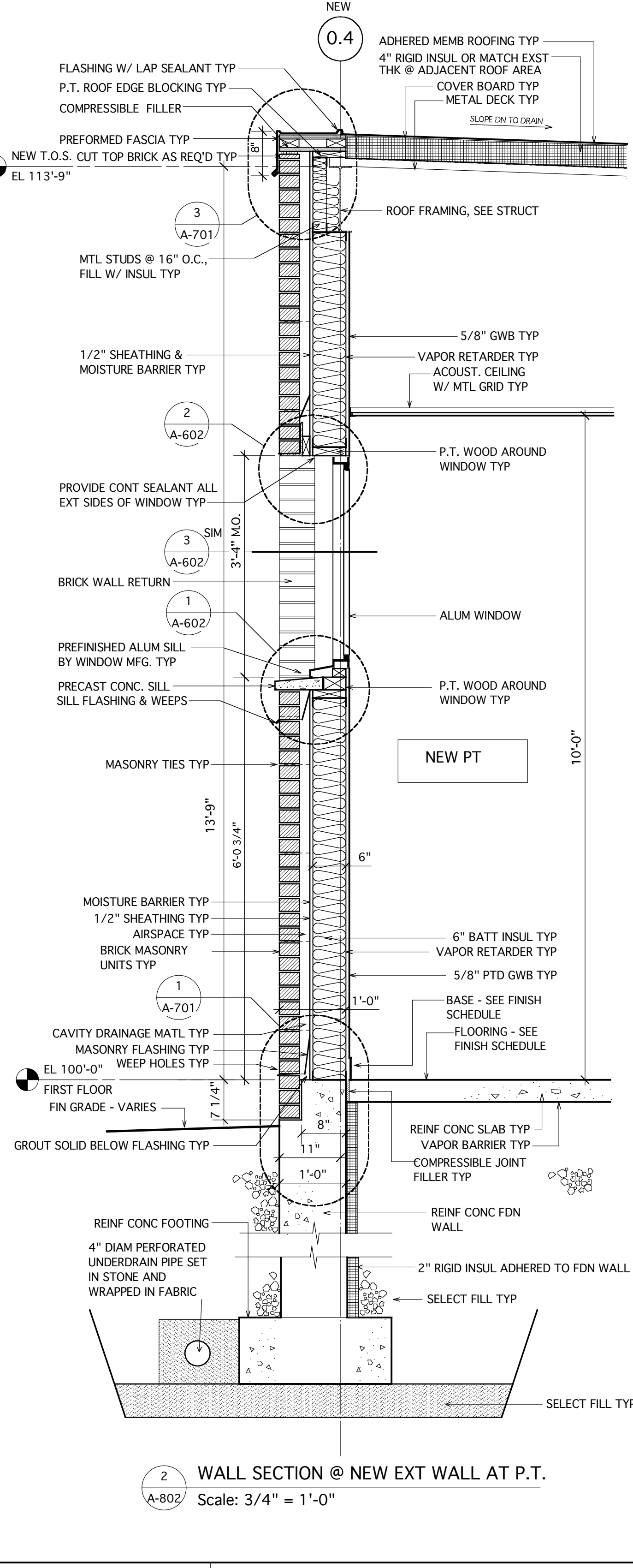
4 WALL SECTION @ OFFICE 213  
Scale: 3/4" = 1'-0"



3 WALL SECTION @ TWO STORY  
Scale: 3/4" = 1'-0"



5 SECTION @ ROOF TIE-IN  
Scale: 3/4" = 1'-0"



1 WALL SECTION @ NEW EXT WALL AT NURSE 136  
Scale: 3/4" = 1'-0"

Design Firm  
 HKT Architects, Inc.  
 4 Mills Street  
 Portland, Maine 04101  
 HKT Architects

Consultant  
 BRIAN O'DONNELL  
 No. 1483  
 REGISTERED ARCHITECT  
 STATE OF MAINE

Project Title  
 ORTHOPAEDIC ASSOCIATES, PA  
 BUILDING EXPANSION  
 33 SEWALL STREET  
 PORTLAND, MAINE

Issue/Revision	Date	Description
20040180A		
2004018 Wall Sections		
WGC		
6/2/03		
2/25/05		
EJR		
Wall Sections-2		

Issue/Revision  
 Project ID  
 CAD File Name  
 Drawn By  
 Checked By  
 Issue Date  
 Plot Date  
 Reviewed by  
 Submitted by  
 Drawing Code  
 Sheet Title  
 Wall Sections-2

Drawing No.  
**A-802**  
 of 34