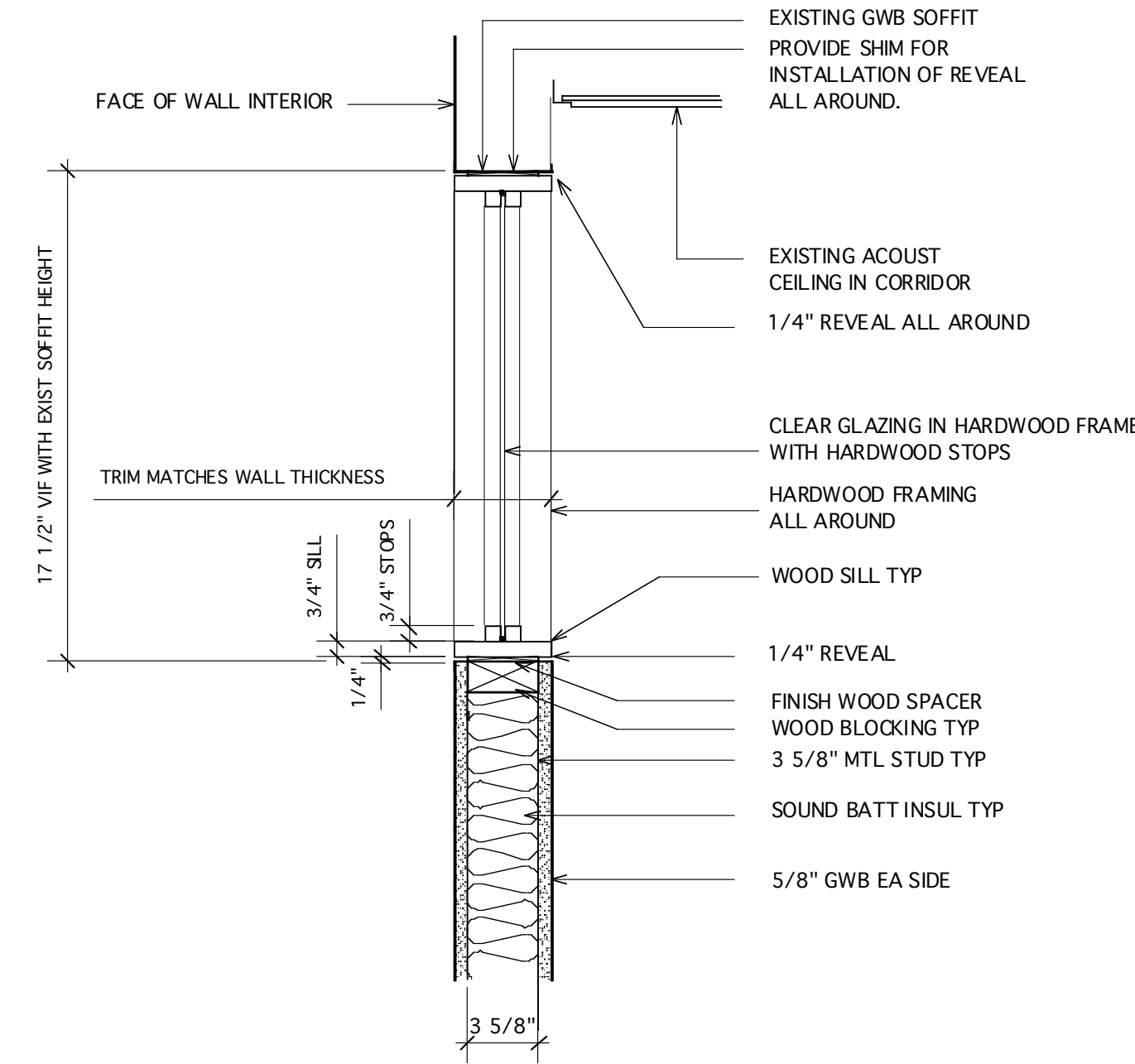


5 VAULTED SKYLIGHT INSULATED CURB BY MFG CLEAR PLASTIC VAULT
NOTE: CURB HEIGHT MUST EXCEED THICKNESS OF INSULATION BY 8" MIN.

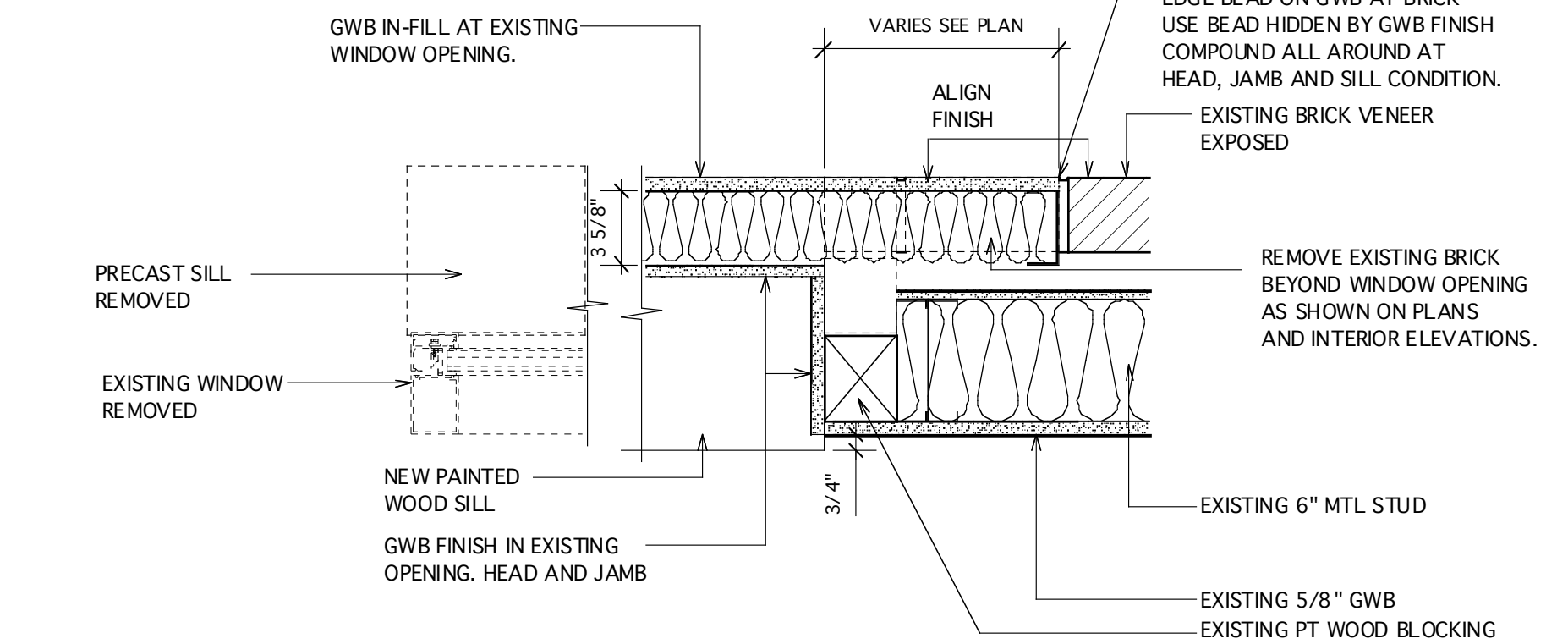
WINDOW ID	Location	Type	SIZE		Rough Opening	Masonry Opening	DETAIL			GENERAL	Accessories	Remarks
			Width	Height			Sill	Head	Jamb			
100.1	100	4	8'0"	7'0"								
135.1	135	3	3'0"	3'4"								
135.2	135.2	3	3'0"	3'4"								
136.1	136	3	3'0"	3'4"								
161.1	161	3	3'0"	3'4"								
161.2	161	3	3'0"	3'4"								
161.3	161	3	3'0"	3'4"								
161.4	161	3	3'0"	3'4"								
161.5	161	3	3'0"	3'4"								
164.1	164	8	6'0"	3'0"								SAFETY GLAZING
164.2	164	5	3'0"	3'0"								SAFETY GLAZING
166.1	166	5	3'0"	3'0"								SAFETY GLAZING
213.1	213	1	4'8"	4'8"								
214.1	214	1	4'8"	4'8"								
218.1	218	1	4'8"	4'8"								
220.1	220	1	4'8"	4'8"								
221.1	221	1	4'8"	4'8"								
222.1	222	1	4'8"	4'8"								
229.1	229	2	6'0"	6'0"								
229.2	229	2	6'0"	6'0"								
229.3	229	2	6'0"	6'0"								
234.1	234	1	4'8"	4'8"								
252.1	252	7	4'8"	4'8"								
252.2	252	7	4'8"	4'8"								
253.1	253	6	3'0"	3'0"								
255.1	255	1	4'8"	4'8"								
256.1	256	1	4'8"	4'8"								

GENERAL NOTE: SEE INTERIOR ELEVATIONS FOR INTERIOR GLAZING REQUIREMENTS NOT SCHEDULED AS WINDOW TYPES. NOT ALL INTERIOR PARTITION GLAZING IS SCHEDULED AS A WINDOW TYPE. SIZE AND LOCATION ARE SHOWN ON INTERIOR ELEVATIONS.

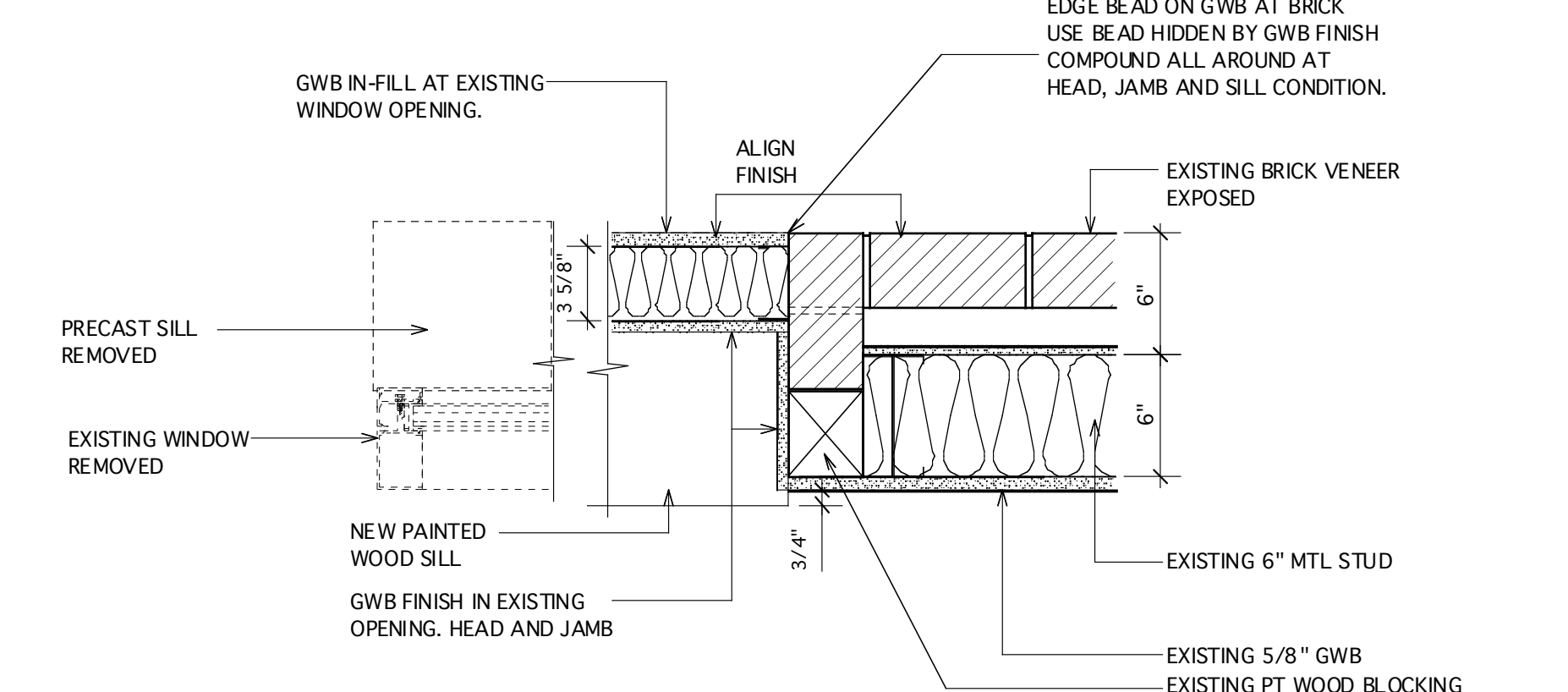


6A INTERIOR GLAZING DETAIL @ CALL CTR 188 SIM @ OFFICE 181
Scale: 1 1/2" = 1'-0"

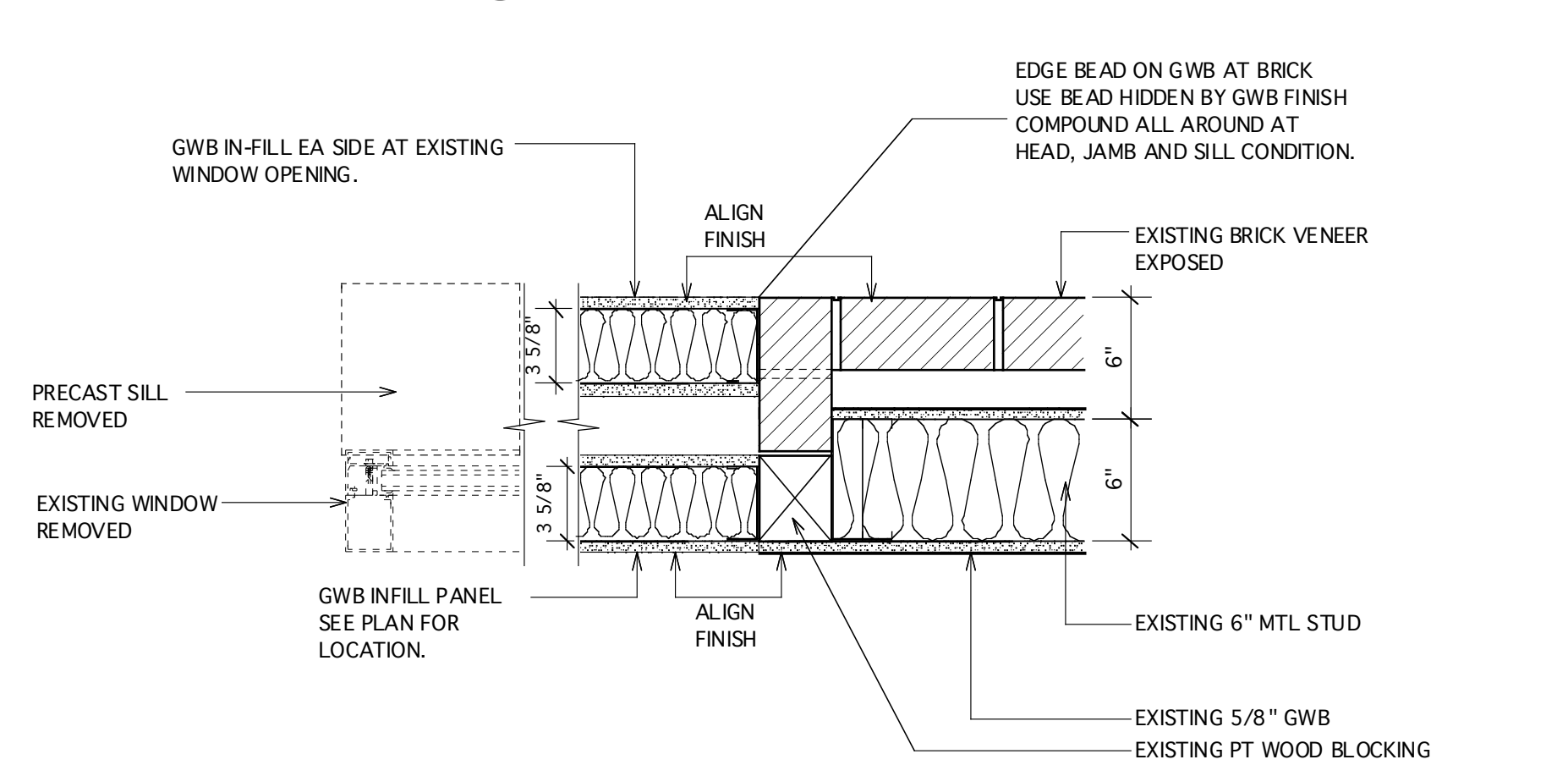
NOTE: AT ALL INTERIOR WINDOWS VERIFY ALL DIMENSIONS IN FIELD WITH SIMILAR EXISTING CONDITIONS. VERIFY ALL REVEAL WIDTHS WITH EXISTING CONDITIONS.



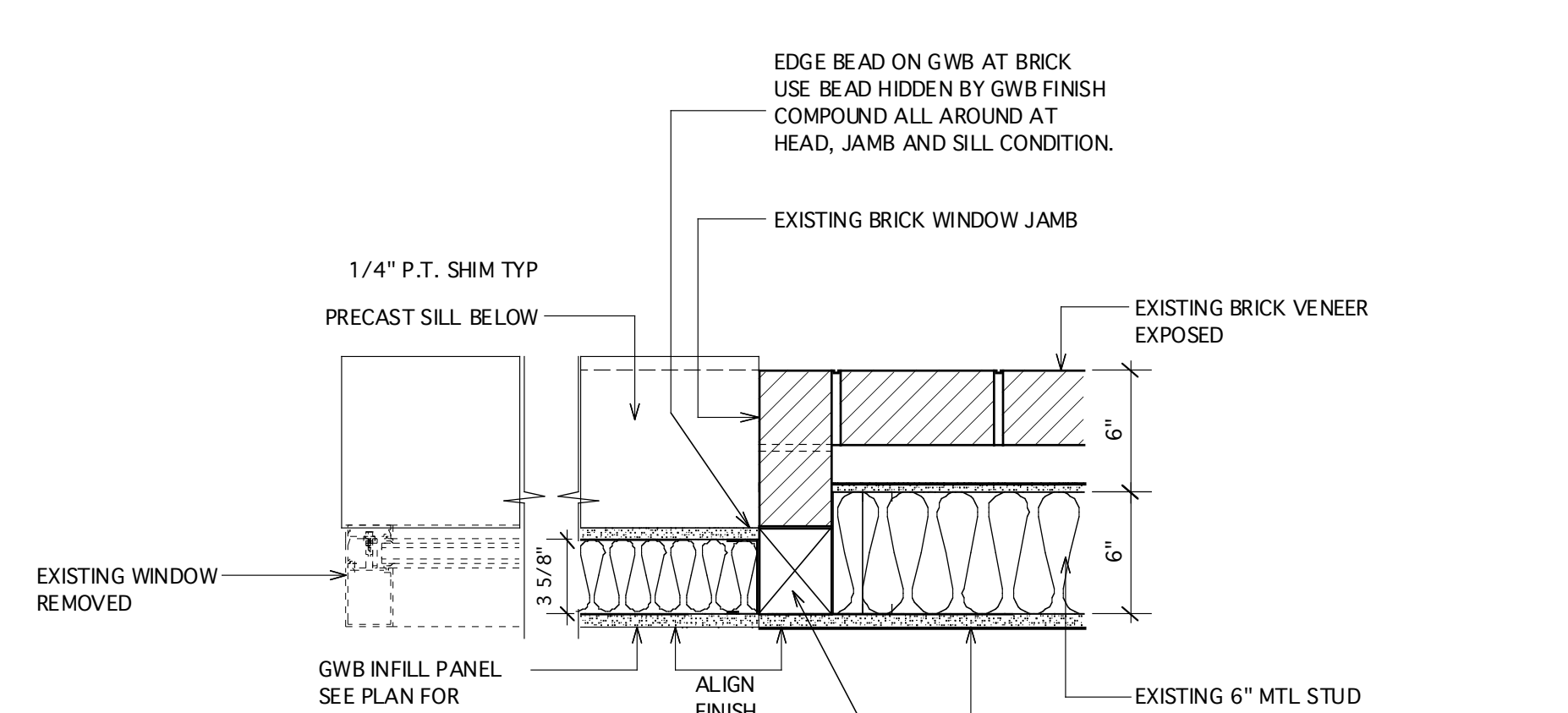
7 WINDOW IN-FILL AND BEYOND
Scale: 1 1/2" = 1'-0"



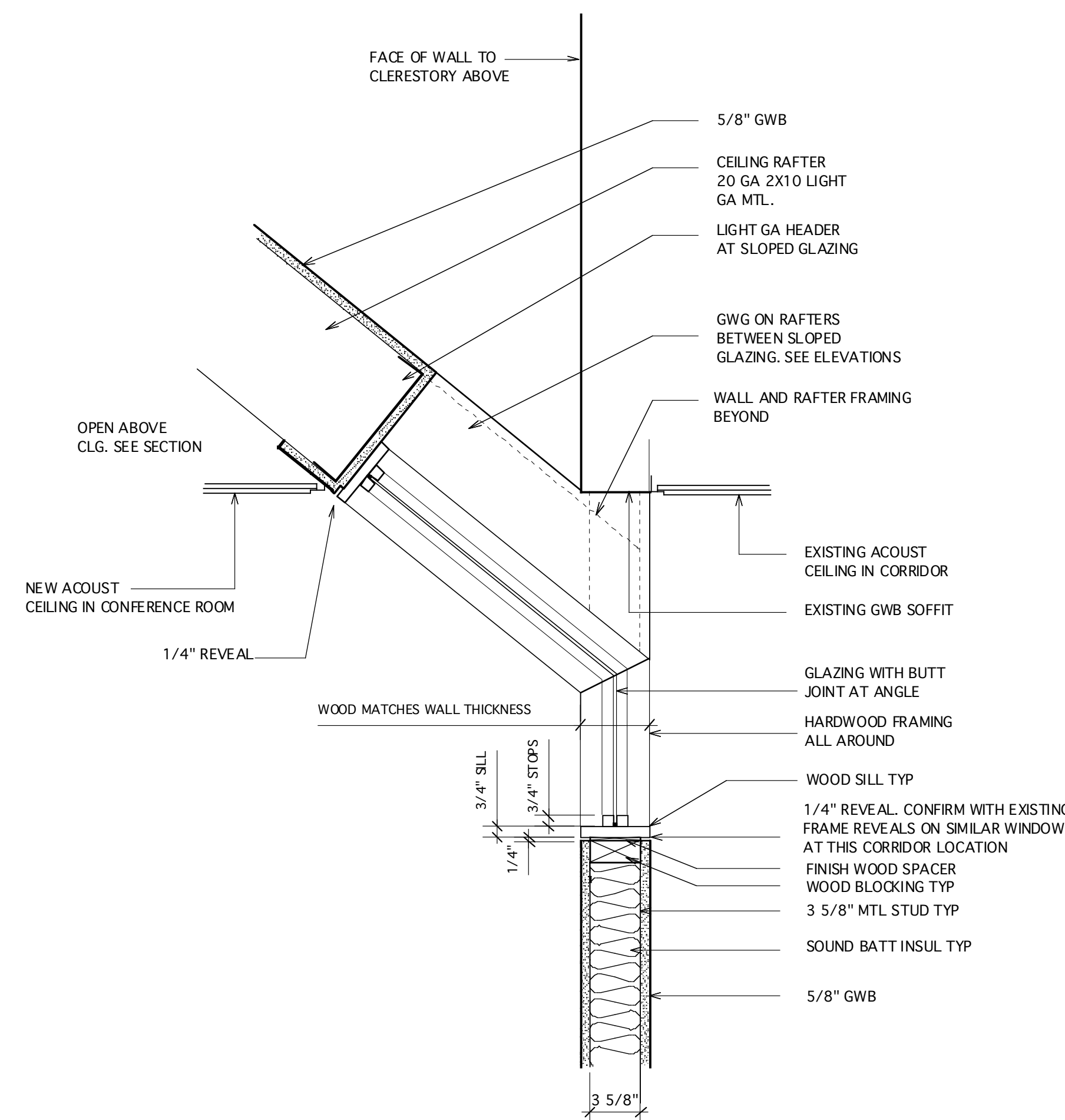
8 WINDOW IN-FILL BRICK SIDE DETAIL
Scale: 1 1/2" = 1'-0"



9 WINDOW IN-FILL EA SIDE DETAIL
Scale: 1 1/2" = 1'-0"

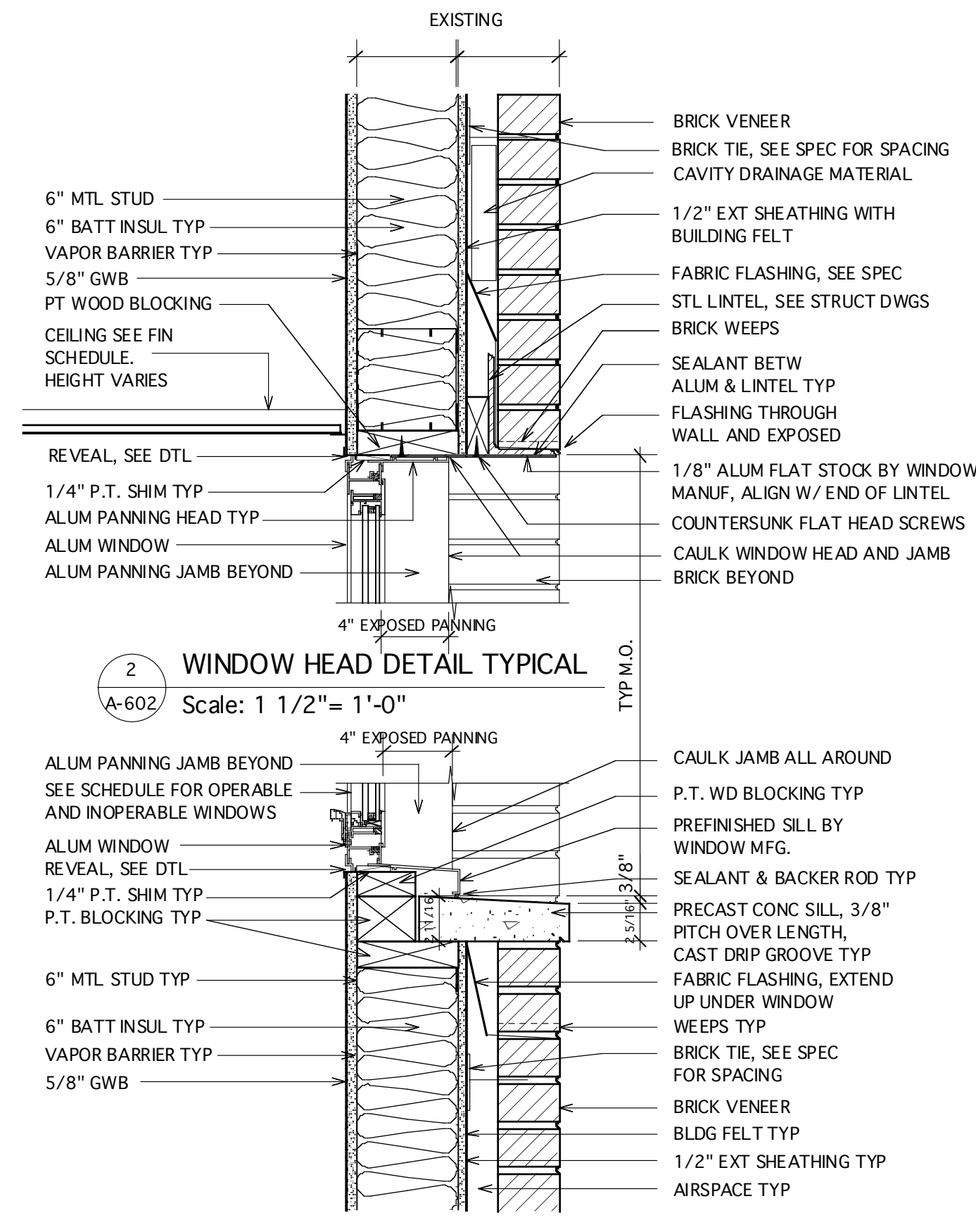


10 WINDOW IN-FILL GWB SIDE DETAIL
Scale: 1 1/2" = 1'-0"

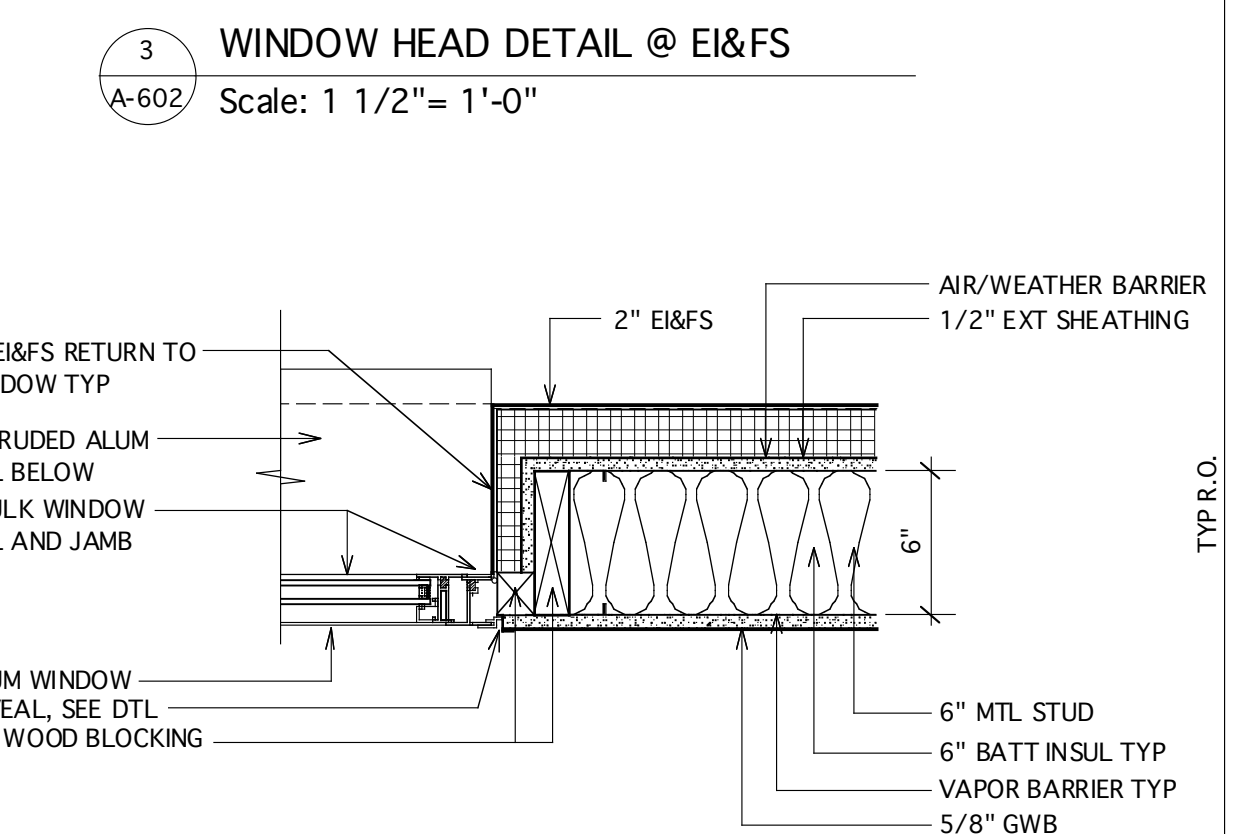


6 INTERIOR SLOPED GLAZING DETAIL @ CONF 207
Scale: 1 1/2" = 1'-0"

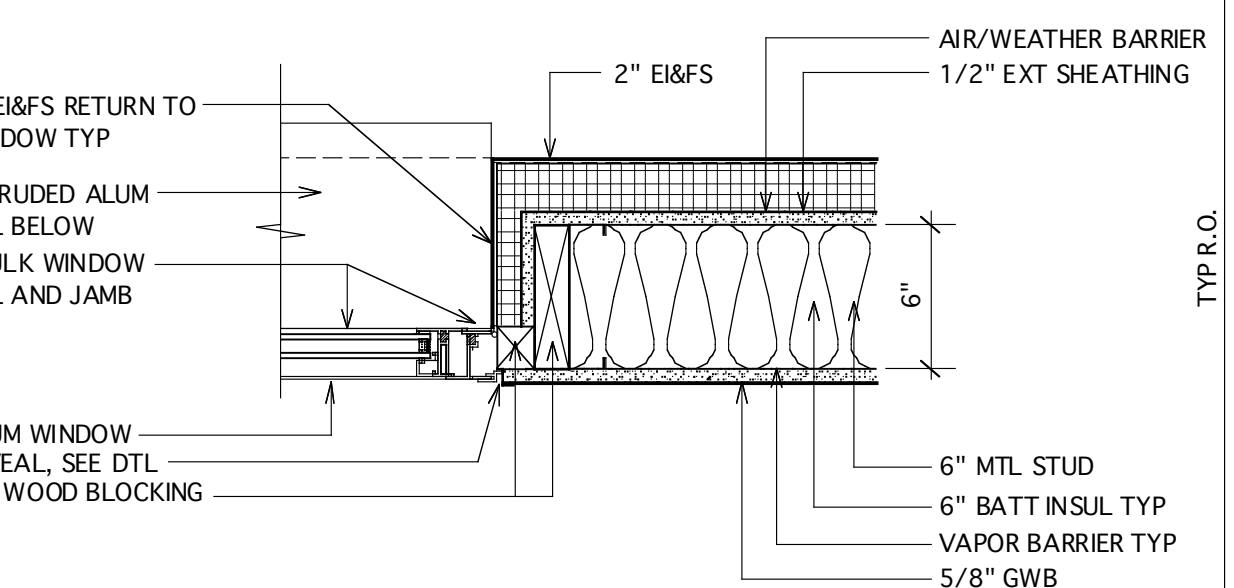
NOTE: AT ALL INTERIOR WINDOWS VERIFY ALL DIMENSIONS IN FIELD WITH SIMILAR EXISTING CONDITIONS. VERIFY ALL REVEAL WIDTHS WITH EXISTING CONDITIONS.



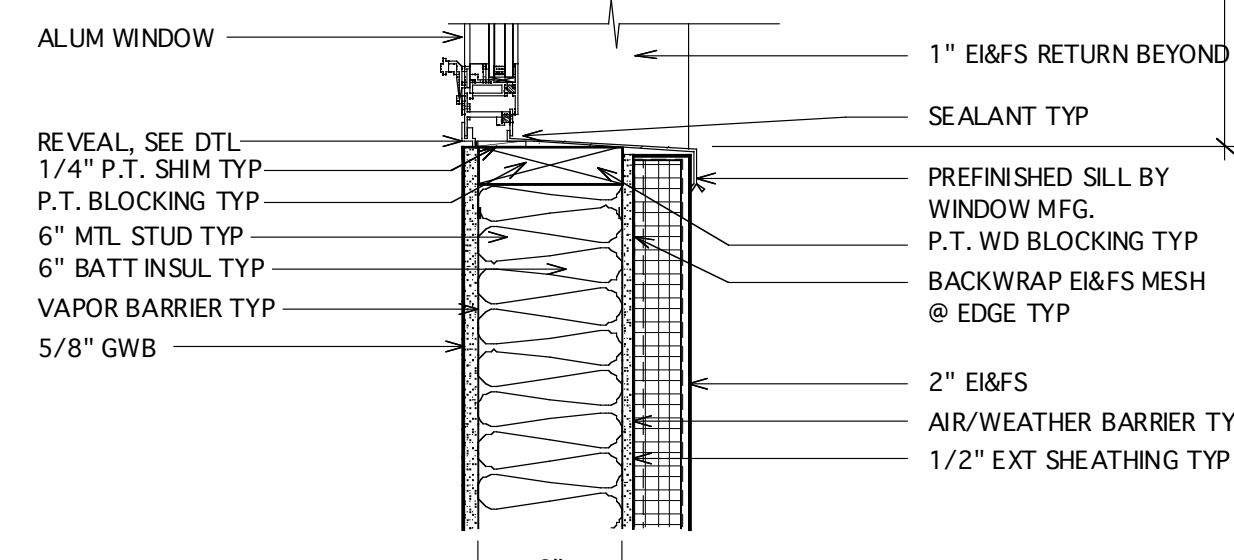
2 WINDOW HEAD DETAIL TYPICAL
Scale: 1 1/2" = 1'-0"



3 WINDOW HEAD DETAIL @ E&FS
Scale: 1 1/2" = 1'-0"



4 WINDOW JAMB DETAIL @ E&FS
Scale: 1 1/2" = 1'-0"



5 WINDOW SILL DETAIL @ E&FS
Scale: 1 1/2" = 1'-0"

1 WINDOW SILL DETAIL TYPICAL
Scale: 1 1/2" = 1'-0"