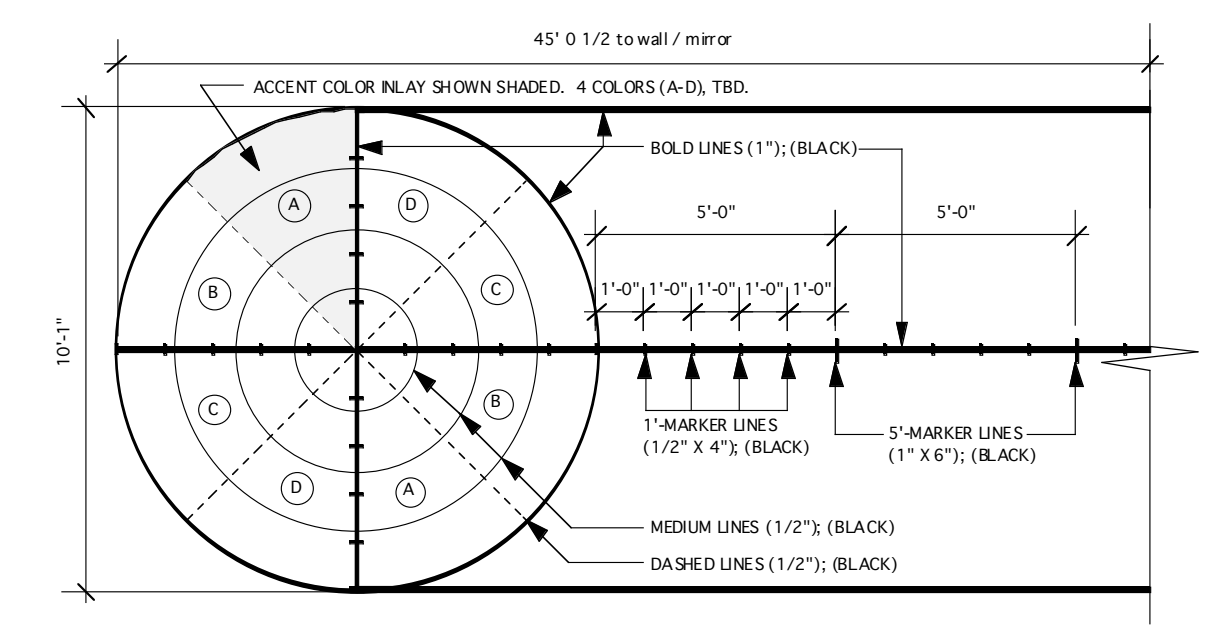


- SYMBOL LIST:**
- 36"x60" ROLL-IN TYPE SHOWER STALL MEETING ADA REQUIREMENTS FOR ROLL-IN ACCESS AND ADA FIXTURES. ROUGH DIMENSION BASE ON LASCO MODEL #6036-BFSC
  - 36"x36" SHOWER STALL WITH FOLD DOWN TRANSFER SEAT MEETING ADA REQUIREMENTS. ROUGH DIMENSION BASE ON LASCO MODEL #1363 BFSC
  - 5' CLEAR TURNING RADIUS FOR WHEEL CHAIR ACCESSIBLE SPACE
  - WALL MOUNTED SINK MEETING ADA REQUIREMENTS FOR ROLL-IN ACCESS AND ADA FIXTURES
  - WALL SCONCE LIGHT FIXTURE BY DESIGN/BUILD ELEC
  - WALL MOUNTED HANDICAPPED ACCESSIBLE TOILET FIXTURE MEETING ADA REQUIREMENTS WITH GRAB BARS OR
  - FLOOR MOUNTED HANDICAPPED ACCESSIBLE TOILET FIXTURE MEETING ADA REQUIREMENTS WITH GRAB BARS
  - COUNTER MOUNTED SINK. P-LAM COUNTERTOP WITH FLOOR SUPPORT ONE SIDE. COLOR TO BE CHOSEN BY OWNER.
  - OPEN LOCKERS, TOTAL OF 6. LOCKERS TO MATCH EXISTING LOCKERS LOCATED IN EXISTING PHYSICIAN SHOWER. LOCKERS ARE MILLWORK ITEM USING P-LAM CONSTRUCTION. COLOR TO BE CHOSEN BY OWNER.
  - SHOWER CURTAIN AND ROD AT ALL SHOWER FACILITIES.
  - FLOOR MOUNTED MOP SINK. PROVIDE SS SURROUND ON WALLS.
  - PAIRED DRINKING FOUNTAIN UNIT MEETING ADA GUIDELINES FOR HANDICAPPED ACCESSIBILITY.
  - BENCH WHERE SHOWN PROVIDE P-LAM BENCH WITH WOOD NOSING. SEE INTERIOR ELEVATIONS. PROVIDE NECESSARY WALL SUPPORTS.
  - SHELVES WHERE SHOWN PROVIDE SHELVING WITH ADJUSTABLE WALL BRACKERS. SEE INTERIOR ELEVATIONS

- GENERAL NOTES:**
- ALL TOILET AND SHOWER ROOM DOORS TO BE EQUIPPED WITH STONE THRESHOLDS. THRESHOLDS TO MEET ADA ACCESSIBILITY STANDARDS FOR HEIGHT AND SLOPE. UNDERCUT DOORS AS NECESSARY FOR THRESHOLD. COLOR CHOICE, IF ANY, TO BE BY OWNER.
  - ALL EXPOSED PIPING AT TOILET AND SHOWER ROOM SINKS TO HAVE APPROVED PIPE INSULATION KITS PER ADA GUIDELINES.
  - TOILET ROOM #249 TO HAVE METAL TOILET PARTITIONS. COLOR TO BE CHOSEN BY OWNER FROM MANUFACTURER'S STANDARD COLORS. CONFIRM ALL FIELD DIMENSIONS PRIOR TO ORDERING PARTITIONS. SUBMITTALS FOR PARTITIONS TO CONTAIN FINISH TO FINISH FIELD DIMENSIONS.
  - FOR SHOWER STALLS PROVIDE SHOWER ROD. CURTAIN FABRIC AND COLOR TO BE CHOSEN BY OWNER, PROVIDED BY OWNER AND INSTALLED BY CONTRACTOR.
  - PROVIDE ROBE HOOK ON ALL SHOWER ROOM DOORS
  - WHERE EXISTING WALLS ARE SHOWN AS PART OF TOILET ROOM LAYOUT. CONTRACTOR TO CONFIRM THAT DIMENSIONS SHOWN ARE CONSISTANT WITH FIELD LAYOUT. TOILET ROOMS CANNOT BE REDUCED IN SIZE DUE TO ADA REQUIREMENTS. IF CONDITIONS VARY FROM PROPOSED DIMENSIONS, NOTIFY ARCHITECT PRIOR TO WALL LAYOUT.
  - ALL DIMENSIONS FOR FIXTURE LOCATIONS ARE SHOWN FROM INSIDE FACE OF WALL FINISH. VERIFY WALL FINISHES PRIOR TO LOCATION OF FIXTURES. DO NOT LOCATE FIXTURES WITH DIMENSIONS FROM FACE OF STUD UNLESS NOTED AS A ROUGH DIMENSION.

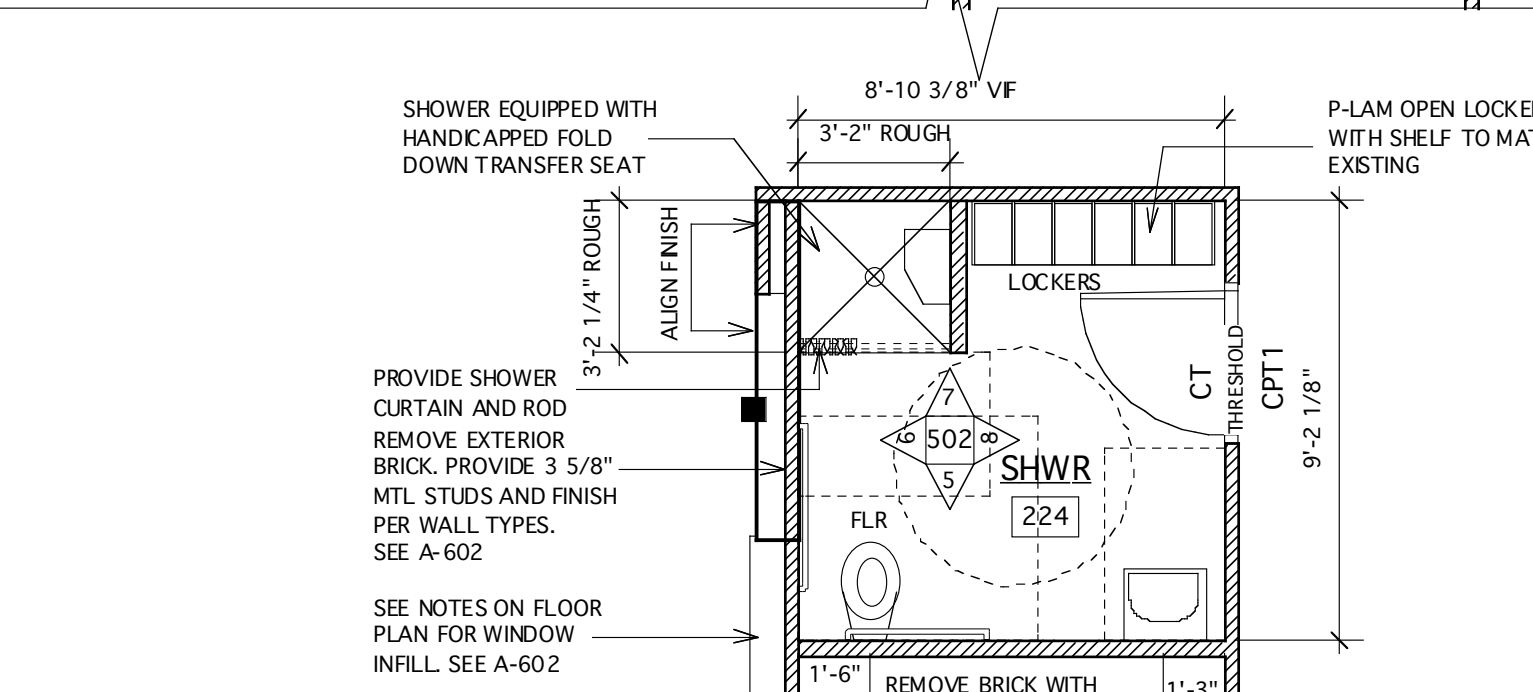
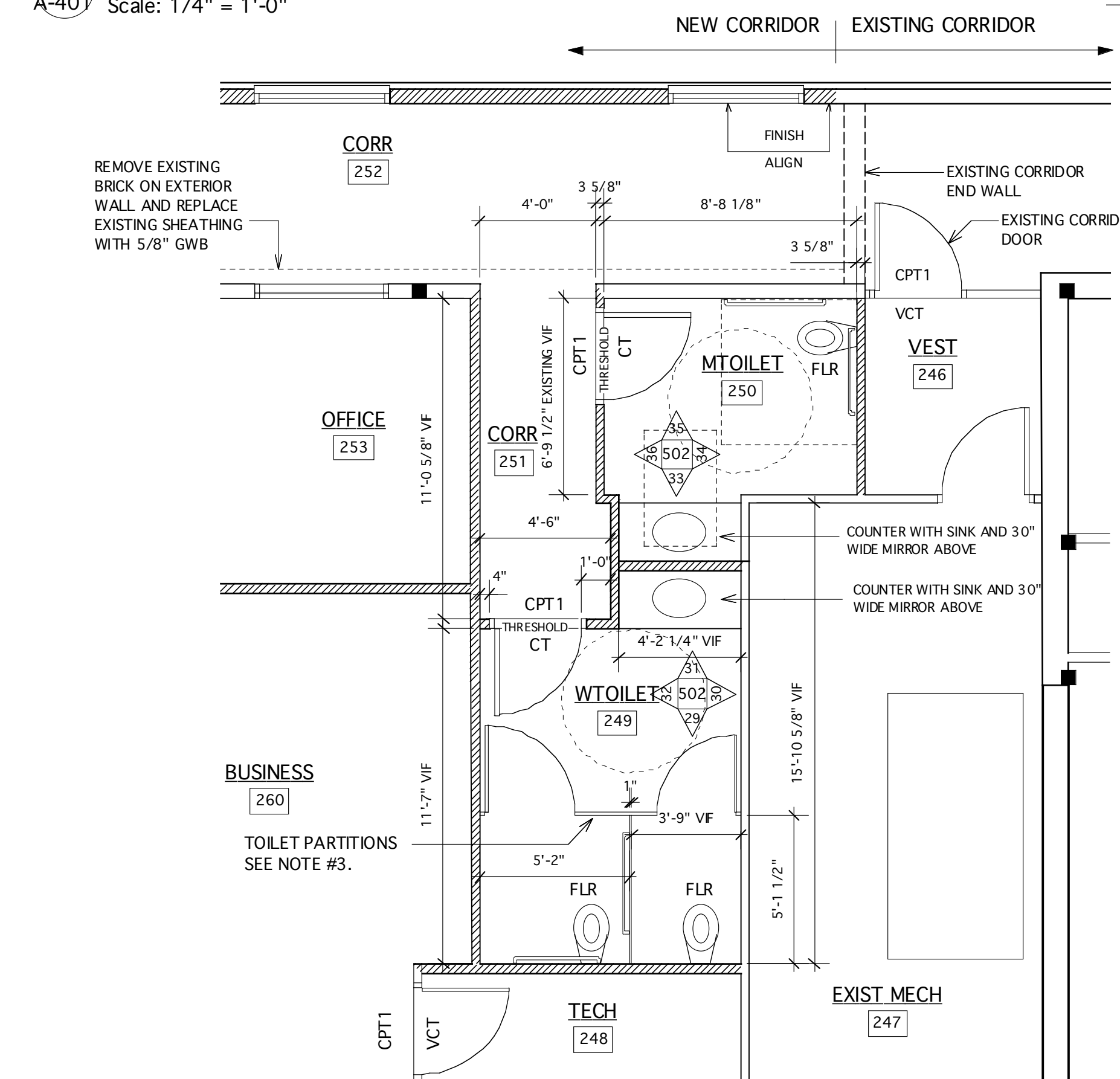
**KEY:**

EXIST CPT	EXISTING CARPET TO REMAIN
CPT1	NEW CARPET
CPT1	NEW CARPET
CT	NEW CERAMIC TILE
CPT1	NEW CARPET
ATHLETIC FLOORING	NEW ATHLETIC FLOORING



**1 ENLARGED PLAN PT**  
A-401 Scale: 1/4" = 1'-0"

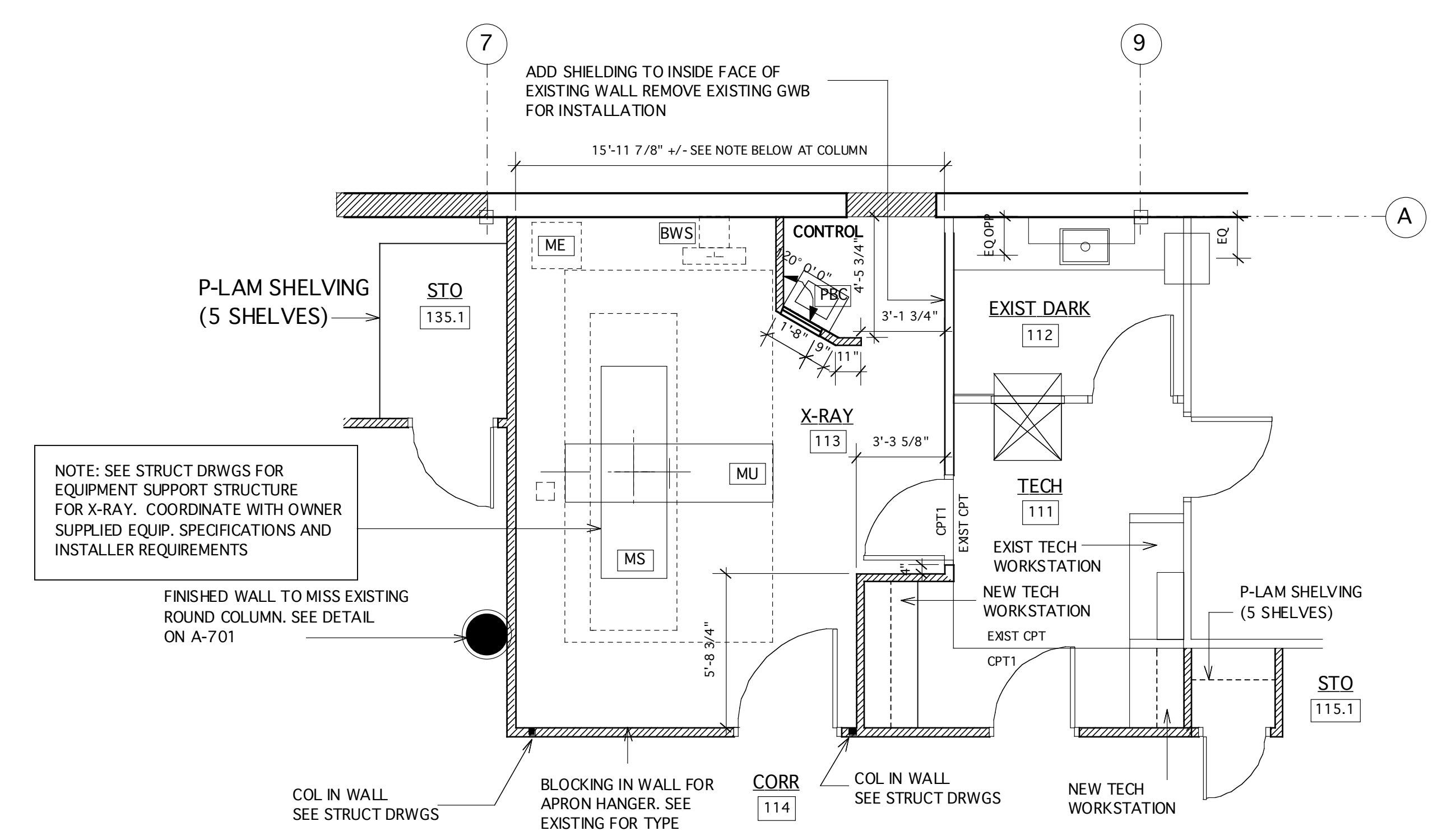
**6 FLOOR PATTERN LAYOUT @ A & F AREA - 168**  
A-401 Scale: 1/4" = 1'-0"



**3 ENLARGED PLAN RM 224**  
A-401 Scale: 1/4" = 1'-0"

**2 ENLARGED PLAN TOILETS**  
A-401 Scale: 1/4" = 1'-0"

**4 ENLARGED PLAN TOILETS**  
A-401 Scale: 1/4" = 1'-0"



**5 ENLARGED PLAN X-RAY 113**  
A-401 Scale: 1/4" = 1'-0"

**EQUIPMENT KEY**

ME	PBC	BWS	MU	MS
----	-----	-----	----	----

EQUIPMENT PROVIDED AND INSTALLED BY PHILIPS MEDICAL SYSTEMS. SEE INSTALLATION DRAWINGS FOR EQUIPMENT REQUIREMENTS

Design Firm  
 PROJECT ARCHITECTS, INC.  
 4000 State Street  
 Portland, Maine 04102  
**HKTA / ARCHITECTS**  
 Phone: 207-774-6976  
 Fax: 207-774-9229  
 e-mail: hktainc.com

Consultant  
 BRIAN O'DONNELL  
 No. 1483  
 REGISTERED ARCHITECT  
 STATE OF MAINE

Project Title  
**ORTHOPAEDIC ASSOCIATES, PA**  
**BUILDING EXPANSION**  
**33 SEWALL STREET**  
**PORTLAND, MAINE**

Description  
 Date  
 Mark  
 Issue/Revision  
 Project ID: 20040180A  
 CAD File Name: 2004018 CA Phase  
 Drawn By:  
 Checked By:  
 Issue Date: 2/2/05  
 Plot Date: 2/2/05  
 Reviewed by:  
 Designed by:  
 Submitted By:  
 Drawing Code  
 Sheet Title  
**Enlarged Plans**  
 Drawing No.  
**A-401**