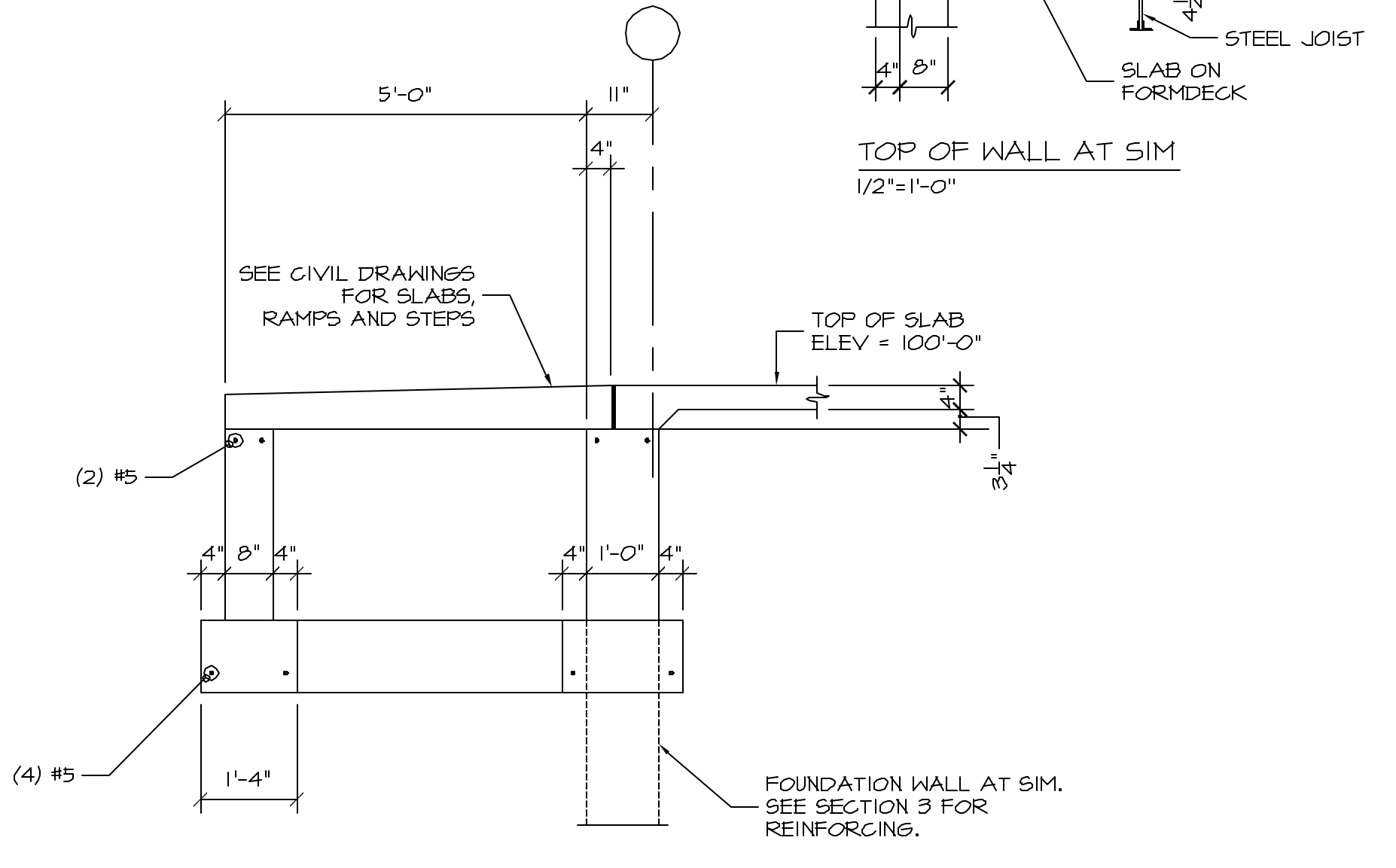
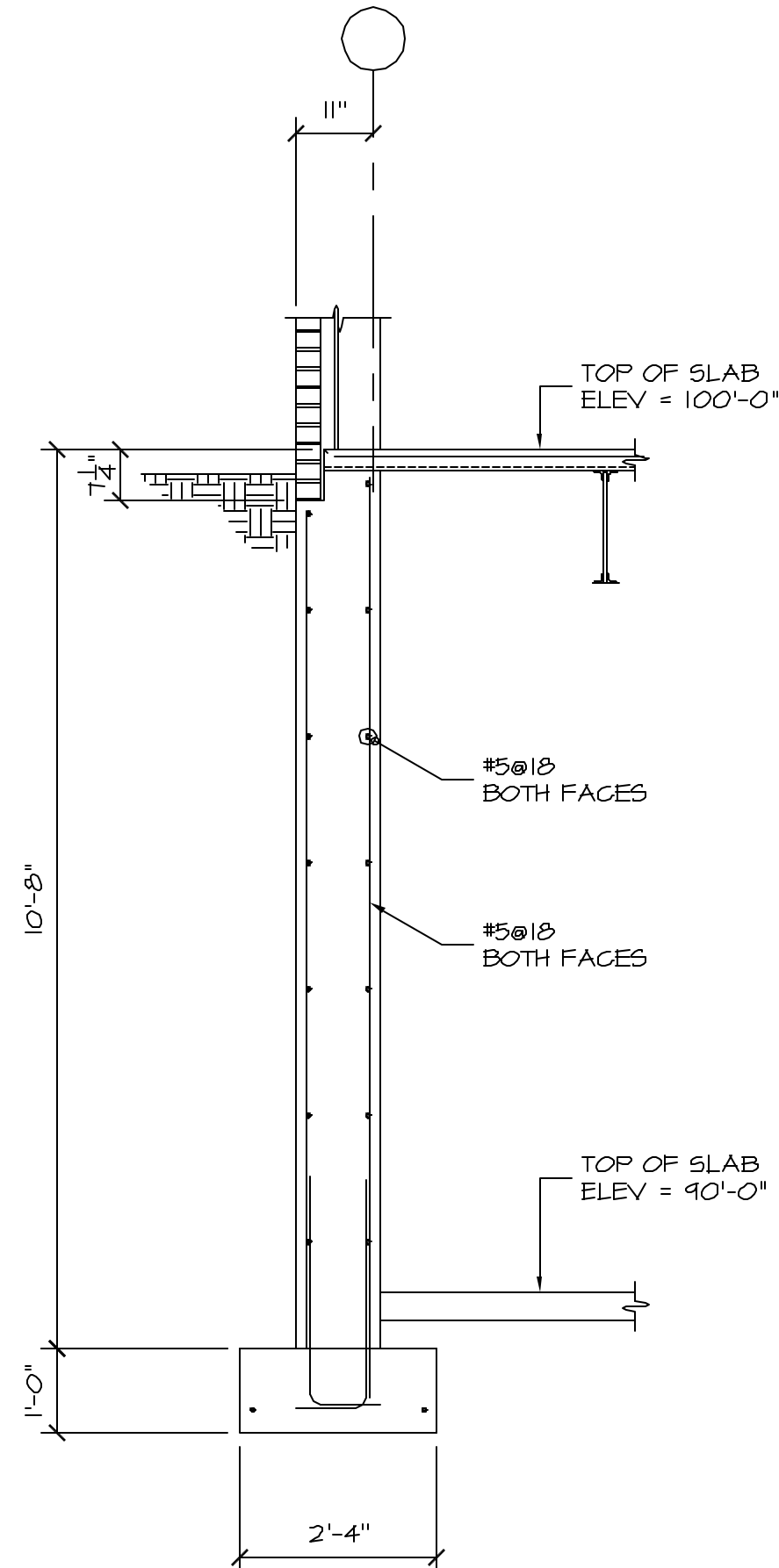
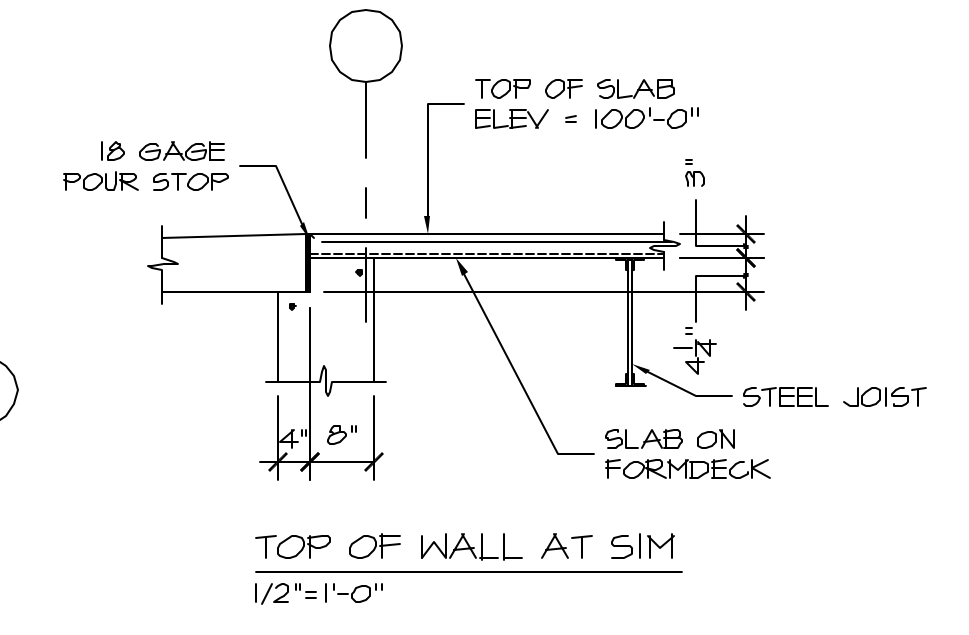


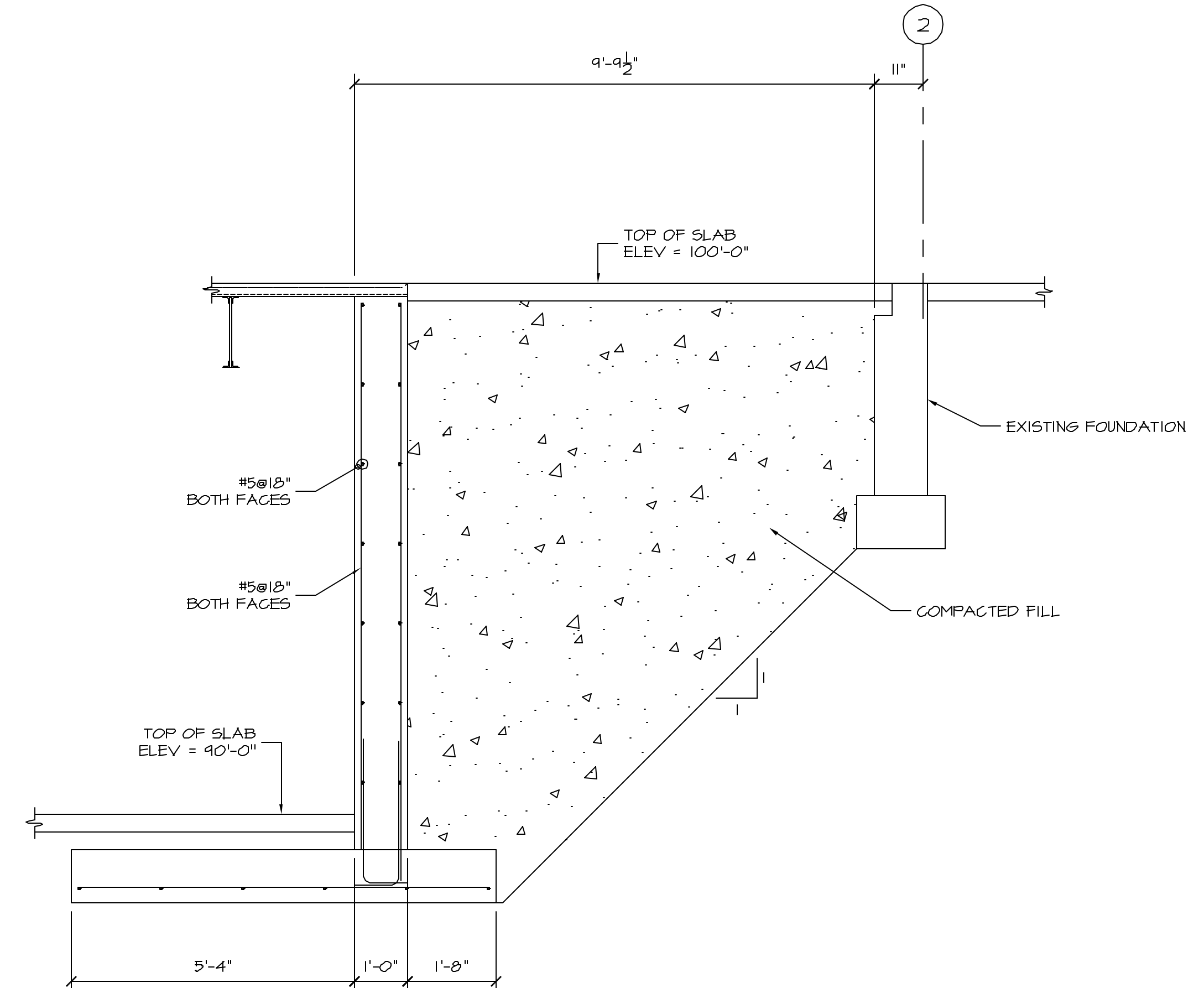
SECTION 1
1/2"=1'-0" S1
PROVIDE MATCHING CORNER BARS.
REINFORCE ALL COL. PIERS WITH
(4) #5 VERTICAL AND #3 TIES @ 15" MAX.



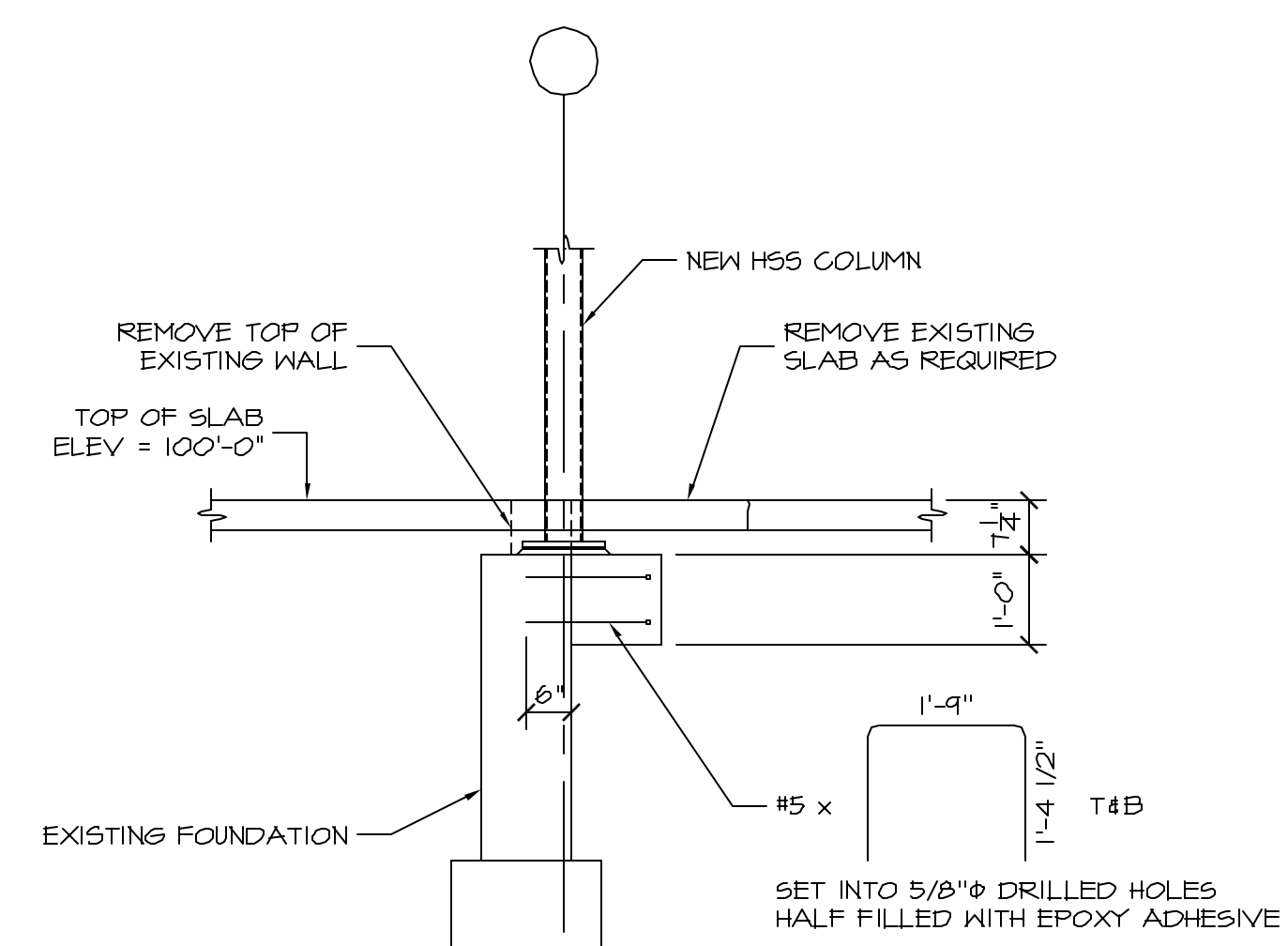
SECTION 2
1/2"=1'-0" S1



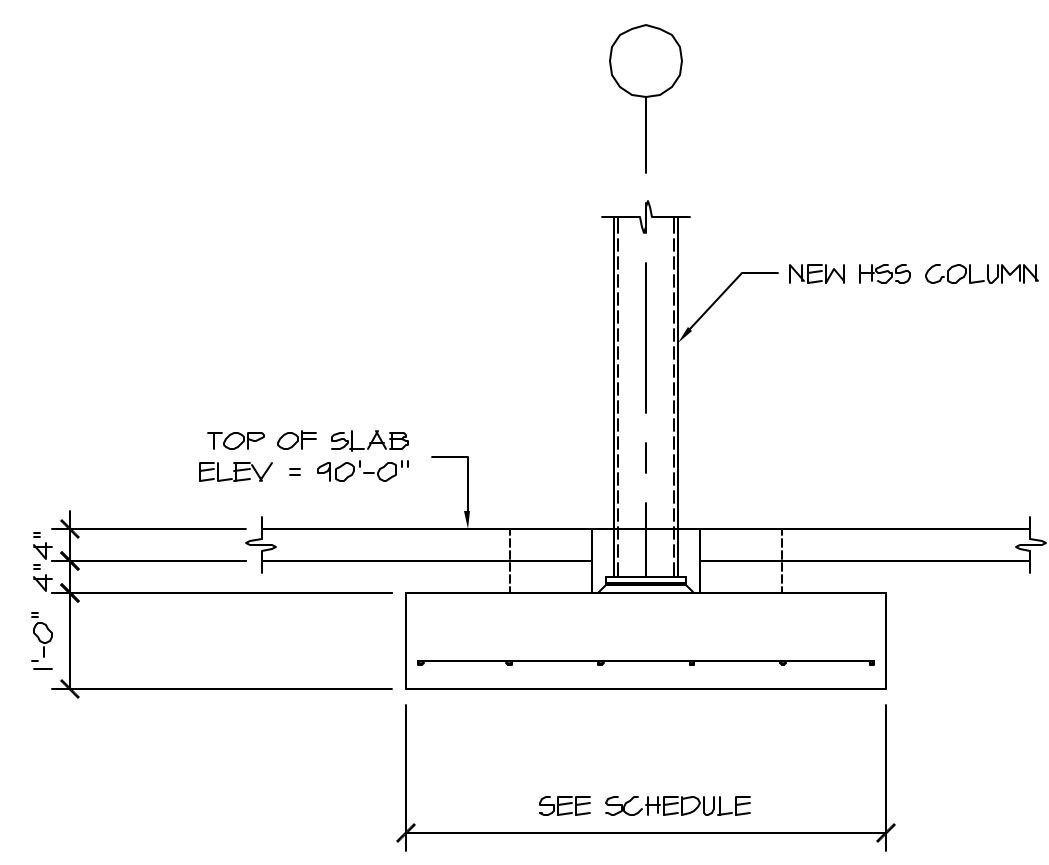
SECTION 3
1/2"=1'-0" S1



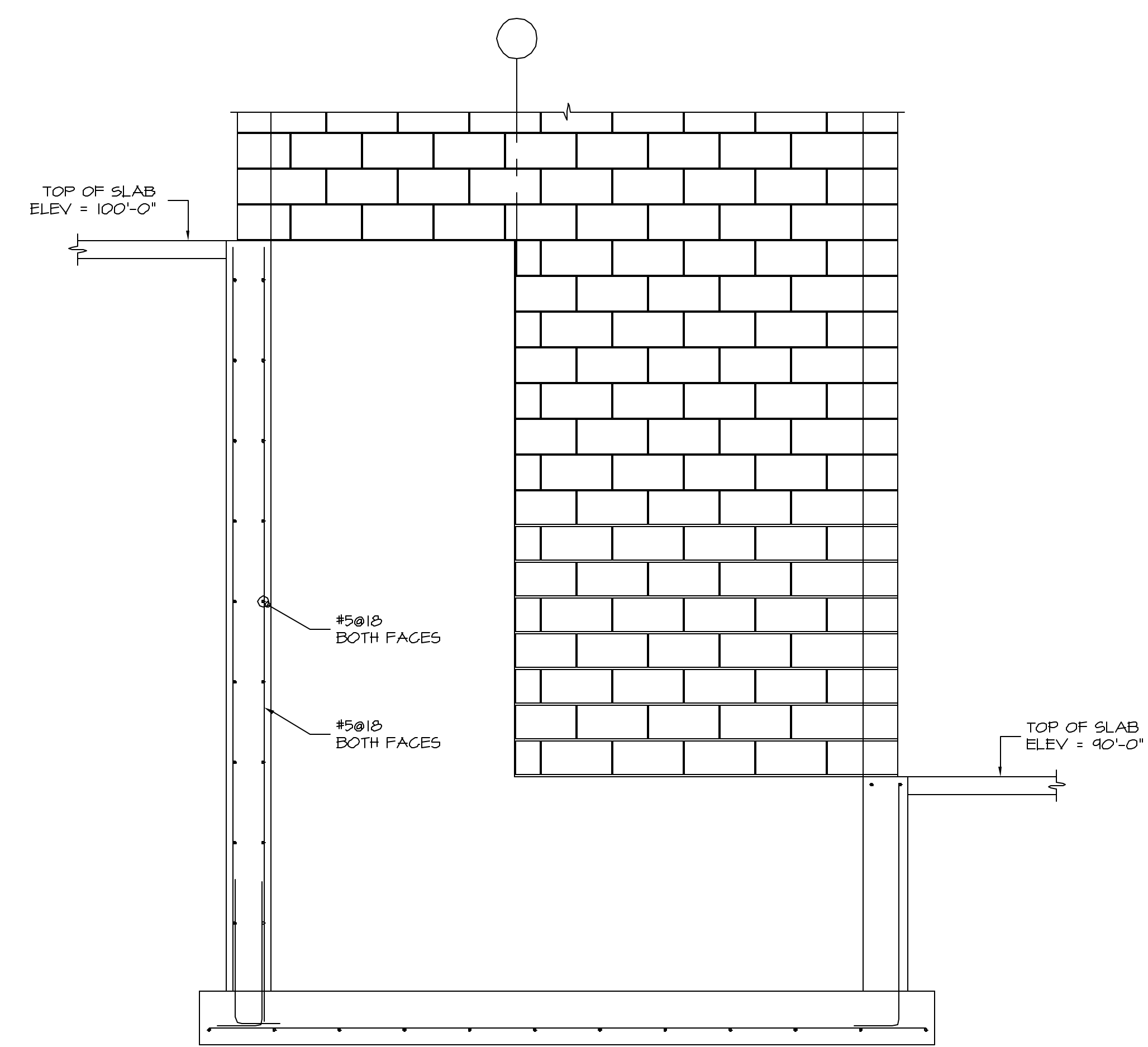
SECTION 4
1/2"=1'-0" S1



SECTION 5
1/2"=1'-0" S1



SECTION 6
1/2"=1'-0" S1



SECTION 7
1/2"=1'-0" S1

Design Firm
HKTA Architects, Inc.
487 Congress Street
Portland, Maine 04101
Phone: 207.774.8200
Fax: 207.774.8206
www.hkta.com

Consultant
Five Station Lane
Farmington, ME 04840
Phone: 207.878.9293
Fax: 207.878.9295
www.fivestation.com

Project Title
ORTHOPAEDIC ASSOCIATES, PA
BUILDING EXPANSION
33 SEWALL STREET
PORTLAND, MAINE

Issue/Revision	Date	Description
Project ID	01035	
CAD File Name		
Drawn By	DJT	
Checked By	DJT	
Issue Date	5/19/03	
Plot Date	5/19/03	
Reviewed by	DJT	
Designed by	DJT	
Submitted By		
Drawing Code		
Sheet Title	Foundation Sections	
	Phase 1	
Drawing No.	S4	