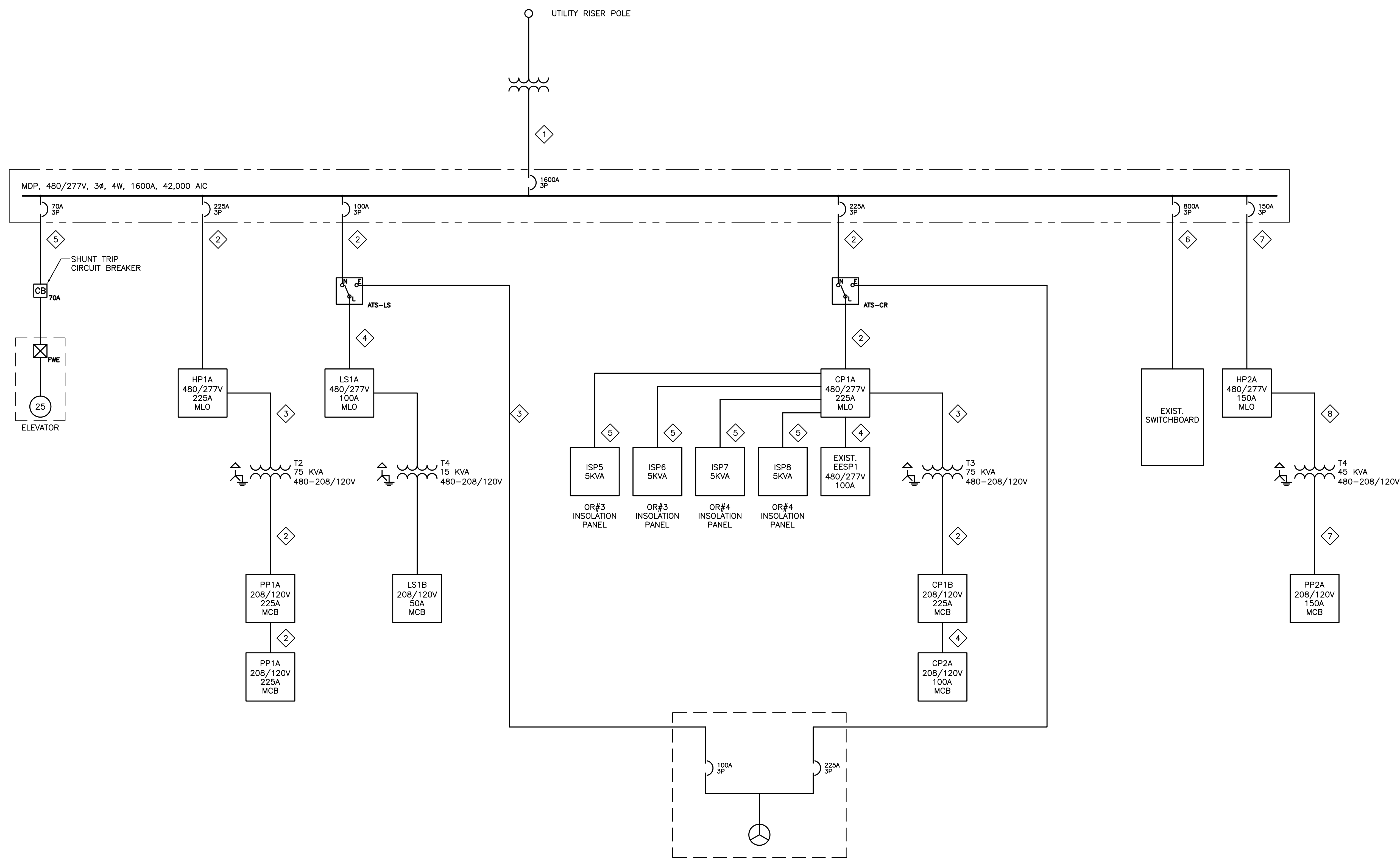


**NOTE:**

1. SEE SHEET E-001 FOR LEGEND AND GENERAL NOTES.

**CABLE SCHEDULE:**

- 1 4#600 MCM/Ø & 4#600 MCM NEUTRALS, 4-4°C
- 2 4#4/Ø AWG & #4 GND, 2-1/2°C
- 3 3#2 AWG & #6 GND, 1-1/2°C
- 4 4#2 AWG & #8 GND, 1-1/2°C
- 5 2#10 AWG & #10 GND, 3/4°C
- 6 2#500 MCM/Ø, 2#500 MCM NEUTRALS & 2#1/Ø GND
- 7 4#1/Ø AWG & #6 GND, 1-1/2°C
- 8 3#4 AWG & #8 GND, 1°C



0	ISSUED FOR PERMITTING	5-20-03
REV.	DESCRIPTION	DATE

**ISSUED FOR PERMITTING**  
**5-20-03**

CURRENT ISSUE STATUS:		



ORTHOPAEDIC ASSOCIATES  
SEWALL STREET EXPANSION  
PROJECT: 22 SEWALL STREET, PORTLAND, MAINE

**ONE LINE  
DIAGRAM**

SHEET TITLE:		5-20-03
SCALE:	NONE	DATE:
PROJECT MANAGER:	DJT	GRAPHIC SCALE:
JOB CAP/DRAWN:	LAM	0" 1"
A/E OF RECORD:	DJT	SHEET No.
SMRT CAD FILE:	EP651-03018	<b>EP651</b>
PROJECT No.	03018	© COPYRIGHT 2003 E.S. BOULOS CO.