

LIGHTING

- 2x4 FLUORESCENT FIXTURE ASSOCIATED CONTROL DEVICE FIXTURE TYPE (SEE LIGHT FIXTURE SCHEDULE)
- 1x4 FLUORESCENT FIXTURE
- 2x2 FLUORESCENT FIXTURE
- FIXTURE WIRING TO UNSWITCHED NORMAL CIRCUIT
- FIXTURE WIRING TO UNSWITCHED EMERGENCY CIRCUIT
- FIXTURE WIRING TO SWITCHED EMERGENCY CIRCUIT
- DOWN LIGHT
- FLUORESCENT STRIP
- WALL MOUNTED FIXTURES
- TRACK LIGHTING
- POLE MOUNTED SITE LIGHTING FIXTURE
- FIXTURE TYPE (SEE LIGHT FIXTURE SCHEDULE)
- FLOOD LIGHT
- WALL WASH LIGHT FIXTURE
- EXIT SIGN, CEILING MOUNTED, ARROW INDICATES EGRESS DIRECTION, SHADING INDICATES SIGN FACE
- EXIT SIGN, WALL MOUNTED, SHADING INDICATES SIGN FACE
- DUAL HEAD EMERGENCY LIGHT BATTERY PACK TO - TIME DELAY RESET
- REMOTE EMERGENCY LIGHTING HEAD
- WALL PACK
- 3-WAY TOGGLE SWITCH
- SINGLE POLE TOGGLE SWITCH INDICATES CONTROLLED FIXTURE
- 4-WAY TOGGLE SWITCH
- DUAL LEVEL SWITCHING
- DIMMER SWITCH, INCANDESCENT OR FLUORESCENT AS REQUIRED.
- TOGGLE SWITCH WITH PILOT LIGHT
- TIMER SWITCH, SPRING WOUND
- SINGLE POLE DOUBLE THROW TOGGLE SWITCH, CENTER POSITION OFF
- WEATHER PROOF
- EXPLOSION PROOF
- UNSWITCHED CONTINUATION OF BRANCH CIRCUIT
- HOME RUN
- OCCUPANCY SENSOR, INDICATES CONTROLLED FIXTURE, INDICATES AIMING DIRECTION
- OCCUPANCY SENSOR RELAY
- DAYLIGHT SENSOR, LIGHTS CONTROLLED BY SENSOR

COMMUNICATION & DATA SYSTEMS

- TELEPHONE SYSTEM WALL JACK, W-INDICATES WALL MOUNTED AT 60° AFF, P-INDICATES PAYPHONE, (2)-INDICATES 2 OUTLETS, SINGLE BOX
- DATA SYSTEM OUTLET
- COMBINATION VOICE/DATA SYSTEM OUTLET
- UNDERFLOOR TELEPHONE SYSTEM OUTLET
- UNDERFLOOR DATA SYSTEM OUTLET
- UNDERFLOOR VOICE & DATA OUTLET
- CABLE TELEVISION SYSTEM OUTLET, MOUNT 18" AFF UNLESS OTHERWISE NOTED
- CLOSED CIRCUIT TELEVISION OUTLET, MOUNT 18" AFF UNLESS OTHERWISE NOTED
- PAGING SYSTEM CONTROL PANEL AND PAGING AMPLIFIER
- PAGING SYSTEM SPEAKER, CEILING MOUNTED
- PAGING SYSTEM SPEAKER, WALL MOUNT AT 7'-6" AFF, 1. FLUSH, 2. SURFACE, 3. HORN, 4. DUAL HORN
- VOLUME CONTROL
- INTERCOM SYSTEM HAND KEY
- CLOCK SPEAKER
- INTERCOM SYSTEM HAND SET
- WALL MOUNTED CLOCK
- CEILING MOUNTED TELEPHONE SYSTEM OUTLET
- CEILING MOUNTED DATA SYSTEM OUTLET
- CEILING MOUNTED VOICE & DATA OUTLET

POWER

- NON-FUSED SAFETY SWITCH, NEMA ENCLOSURE RATING, AMPERE RATING
- FUSED SAFETY SWITCH, TOP NUMBER INDICATES SWITCH AMPERE RATING, LOWER NUMBER INDICATES FUSE RATING, NEMA ENCLOSURE
- MAGNETIC MOTOR STARTER, FVNR UNLESS INDICATED OTHERWISE, NEMA ENCLOSURE RATING, NEMA SIZE (TYPICAL)
- COMBINATION CIRCUIT BREAKER/MAGNETIC MOTOR STARTER, FIRST NUMBER INDICATES CIRCUIT BREAKER AMPERE RATING, SECOND NUMBER INDICATES NEMA STARTER SIZE
- COMBINATION FUSED DISCONNECT/MAGNETIC MOTOR STARTER, NUMBERS INDICATE DISCONNECT AMPERE RATING/FUSE RATING/NEMA STARTER SIZE
- NON-FUSED DISCONNECT/MAGNETIC MOTOR STARTER, FIRST NUMBER INDICATES CIRCUIT BREAKER AMPERE RATING, SECOND NUMBER INDICATES NEMA STARTER SIZE
- MANUAL MOTOR STARTER, TOGGLE OPERATED, 1, 2 OR 3 POLE AS REQUIRED, OVERLOAD PROTECTION
- MANUAL MOTOR SWITCH, TOGGLE OPERATED, SINGLE PHASE, 1 OR 2 POLE AS REQUIRED (NO OVERLOAD PROTECTION)
- ENCLOSED CIRCUIT BREAKER, AMPERE RATING
- ELECTRIC MOTOR, NUMBER INDICATES HORSEPOWER RATING
- EXPLOSION PROOF MOTOR
- VARIABLE AIR VOLUME CONTROL ACTUATORS
- LOCAL SELECTOR SWITCH, H/O/A - HAND/OFF/AUTO
- EMERGENCY OFF BREAK GLASS STATION
- PUSHBUTTON STATION
- JUNCTION BOX
- TRANSFORMER
- POWER POLE
- CONDUIT TURNING UP
- CONDUIT TURNING DOWN
- EY CONDUIT SEAL
- DUPLEX RECEPTACLE, NEMA 5-20R, INSTALLED ON EMERGENCY CIRCUIT (TYPICAL), GFI DUPLEX RECEPTACLE, NEMA 5-20R
- HOSPITAL GRADE DUPLEX RECEPTACLE, NEMA 5-20R
- HOSPITAL GRADE GFCI DUPLEX RECEPTACLE, NEMA 5-20R
- HOSPITAL GRADE ISOLATED GROUND DUPLEX RECEPTACLE, NEMA 5-20R
- SINGLE RECEPTACLE, NEMA 5-20R
- DOUBLE DUPLEX (QUADRUPLEX) RECEPTACLE, NEMA 5-20R
- HOSPITAL GRADE DOUBLE DUPLEX RECEPTACLE, NEMA 5-20R
- SWITCHED RECEPTACLE
- FLOOR OUTLET, DUPLEX RECEPTACLE, NEMA 5-20R
- POWER RECEPTACLE, 480 VOLT NEMA CONFIGURATION AS NOTED.
- POWER RECEPTACLE, 240 VOLT NEMA CONFIGURATION AS NOTED.
- PANELBOARD, NORMAL POWER
- PANELBOARD, EMERGENCY POWER
- MULTI OUTLET ASSEMBLY

GROUNDING

- GROUND ROD
- EXOTHERMIC WELD CONNECTION
- BOLTED CONNECTION
- BARE COPPER CONDUCTOR, RUN EXPOSED
- BARE COPPER CONDUCTOR, EMBEDDED IN CONCRETE OR BURIED

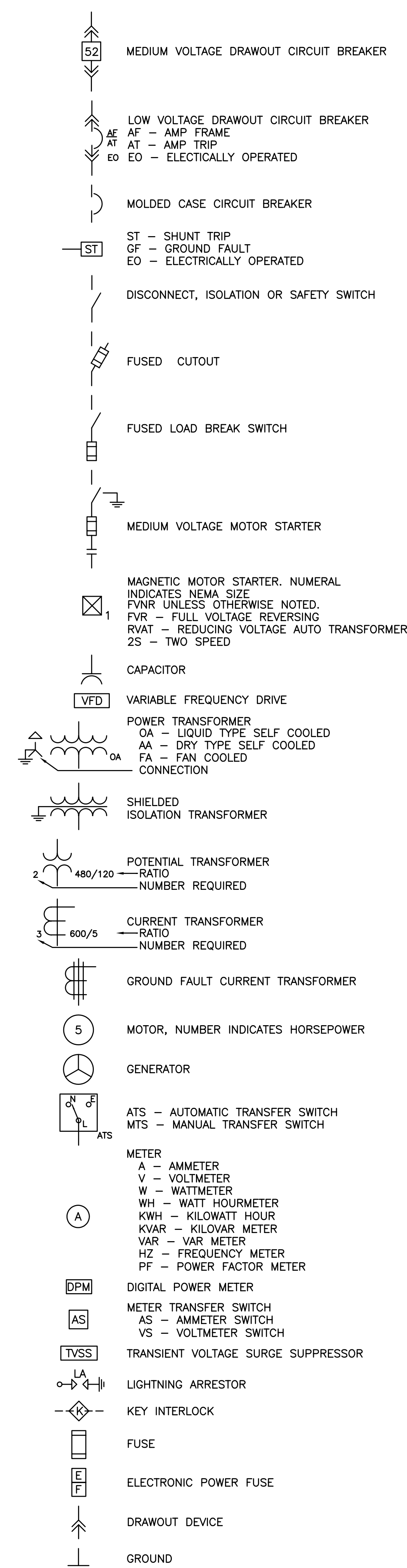
NURSE CALL SYSTEM

- NURSE CALL CALL LIGHT
- PATIENT CALL BUTTON
- NURSE CALL PULL CORD
- NURSE CALL MASTER STATION

FIRE ALARM

- FIRE ALARM CONTROL PANEL
- FIRE ALARM ANNUNCIATOR
- FIRE ALARM MASTER BOX
- FIRE ALARM MANUAL PULL STATION
- FIRE ALARM SPEAKER/STROBE UNIT
- FIRE ALARM AUDIBLE/VISIBLE NOTIFICATION APPLIANCE (GENERAL EVACUATION)
- FIRE ALARM AUDIBLE/VISIBLE NOTIFICATION APPLIANCE (CLEAN ROOM NOTIFICATION (LOCAL))
- FIRE ALARM VISIBLE ONLY NOTIFICATION APPLIANCE, CAN BE INTENSITY-15/75 UNLESS OTHERWISE NOTED, CEILING MOUNTED
- PHOTOELECTRIC SMOKE DETECTOR, CEILING MOUNTED, INDICATES AUXILIARY CONTACT.
- FIXED TEMPERATURE HEAT DETECTOR, CEILING MOUNTED, INDICATES EQUIPMENT INTERLOCKED WITH THE DETECTOR
- CLEAN ROOM SMOKE DETECTOR
- INDICATES EQUIPMENT INTERLOCKED WITH THE SMOKE DETECTOR
- COMBINATION RATE-OF-RISE/FIXED TEMPERATURE HEAT DETECTOR, CEILING MOUNTED
- DUCT SMOKE DETECTOR, PHOTOELECTRIC WITH AUXILIARY CONTACT.
- SPRINKLER SYSTEM FLOW SWITCH
- SPRINKLER SYSTEM TAMPER SWITCH
- FIRE ALARM SYSTEM MAGNETIC DOOR HOLDER
- INTERLOCK RELAY
- SMOKE DAMPER
- DUCT SMOKE DETECTOR REMOTE TEST INDICATOR
- KNOX BOX

ONE LINE DIAGRAM



ABBREVIATIONS

- | | | | |
|-------|------------------------------------|--------|------------------------------------|
| A,AMP | AMPERE | LA | LIGHTNING ARRESTER |
| AF | ABOVE FINISHED FLOOR | LTG | LIGHTING |
| AFG | ABOVE FINISHED GRADE | MC | METAL CLAD |
| AHJ | AUTHORITY HAVING JURISDICTION | MCB | MAIN CIRCUIT BREAKER |
| AIC | AMPERE INTERRUPTING CAPACITY | MFR | MANUFACTURER |
| AWG | AMERICAN WIRE GAUGE | MI | MINERAL INSULATED |
| BFG | BELOW FINISHED GRADE | MLO | MAIN LUG ONLY |
| BOS | BOTTOM OF STEEL CONDUIT, CONDUCTOR | MTD | MEDIUM VOLTAGE |
| C | CONDUIT, CONDUCTOR | MV | MEDIUM VOLTAGE |
| CATV | CABLE TELEVISION | NC | NORMALLY CLOSED |
| CB | CIRCUIT BREAKER | NEC | NATIONAL ELECTRICAL CODE |
| CCTV | CLOSED CIRCUIT TELEVISION | NEG | NEGATIVE |
| CPT | CONTROL POWER TRANSFORMER | NEUT | NEUTRAL |
| CT | CURRENT TRANSFORMER | NIC | NOT IN CONTRACT |
| CJ | COPPER | NO | NORMALLY OPEN |
| DACT | DIGITAL ALARM COMMUNICATOR | NTS | NOT TO SCALE |
| DB | DIRECT BURIED | PF | POWER FACTOR |
| DISC | DISCONNECT | PH | PHASE |
| DN | DOWN | NO | NORMALLY OPEN |
| EMT | ELECTRICAL METALLIC TUBING | PVC | POLYVINYL CHLORIDE |
| EWG | ELECTRIC WATER COOLER | RGS | RIGID STEEL CONDUIT |
| FAA | FIRE ALARM ANNUNCIATOR | RSC | RIGID STEEL CONDUIT |
| FACP | FIRE ALARM CONTROL PANEL | RTD | RESISTANCE TEMPERATURE DETECTOR |
| FBO | FURNISHED BY OTHERS | SN | SOLID NEUTRAL |
| FJ | FUSE | STP | SHIELDED TWISTED PAIR |
| FUE | FURNISHED WITH EQUIPMENT | STT | SHIELDED TWISTED TRIPLET |
| GEN | GENERATOR | SWBD | SWITCHBOARD |
| GFCI | GROUND FAULT CIRCUIT INTERRUPTER | SWGR | SWITCHGEAR |
| GND | GROUND | TOS | TOP OF STEEL |
| HP | HORSEPOWER | TRANSF | TRANSFORMER |
| HTR | HEATER | TVSS | TRANSIENT VOLTAGE SURGE SUPPRESSOR |
| IG | ISOLATED GROUND | V | VOLT |
| IMC | INTERMEDIATE METAL CONDUIT | VA | VOLT-AMPERE |
| K | KILO | VAR | VOLT-AMPERE REACTIVE |
| KCMIL | THOUSAND CIRCULAR MILS | W | WATT |
| KV | KILOVOLT | WM | WEATHER PROOF |
| KVA | KILOVOLT-AMPERE | WPMR | WEATHER PROOF METAL ROD |
| KVAR | KILOVOLT AMPERE REACTIVE | XP | EXPLOSION PROOF |
| KW | KILOWATT | | |
| KWH | KILOWATT-HOUR | | |

GENERAL NOTES:

1. ALL WORK SHALL BE PERFORMED IN ACCORDANCE WITH NFPA-70, NATIONAL ELECTRICAL CODE (NEC).
2. ALL MOTOR SAFETY SWITCHES, DISCONNECTS AND MOTOR STARTERS ARE PROVIDED BY DIVISION 16000 UNLESS NOTED AS FURNISHED WITH EQUIPMENT (FWE).
3. UNLESS OTHERWISE NOTED CONVENIENCE RECEPTACLES SHALL BE MOUNTED 18-INCHES AFF. LIGHTING TOGGLE SWITCHES 48-INCHES AFF. DATA SYSTEM OUTLETS 18-INCHES AFF. FIRE ALARM NOTIFICATION DEVICES 80-INCHES AFF OR 6-INCHES BELOW CEILING, WHICHEVER IS LOWER, AND FIRE ALARM MANUAL PULL STATIONS 48-INCHES AFF TO TOP OF DEVICE.
4. ALL PENETRATIONS THROUGH FLOORS, RATED WALLS AND PARTITIONS SHALL BE SEALED WITH UL APPROVED FIRE SEALANT MATERIAL TO MAINTAIN THE RATING OF THE SEPARATION.
5. ALL ENCLOSURES, CONDUIT BODIES AND THEIR COVERS CONTAINING FIRE ALARM SYSTEM CONDUCTORS SHALL BE PAINTED RED.
6. AN EQUIPMENT GROUNDING CONDUCTOR SHALL BE INSTALLED WITH EVERY FEEDER AND BRANCH CIRCUIT.
7. UNLESS OTHERWISE NOTED ALL WIRING SHALL BE #2 1/2 AWG CONDUCTORS & #12 GND. HOME RUNS FED FROM 20A-1P CIRCUITS IN EXCESS OF 100 FEET SHALL BE #10 AWG.
8. LIGHTING TOGGLE SWITCHES SHALL BE COMMERCIAL SPECIFICATION GRADE 120/277 VOLT, SIDE WIRING AND PROVIDED WITH GROUNDING SCREW. 20 OR 30 AMP AS REQUIRED. LEVITON, PASS AND SEYMOUR OR APPROVED EQUAL. COORDINATE COLOR WITH ARCHITECT.
9. CONVENIENCE RECEPTACLES SHALL BE COMMERCIAL SPECIFICATION GRADE GROUNDING TYPE NEMA 5-20R, SIDE WIRING, LEVITON, PASS AND SEYMOUR OR APPROVED EQUAL. COORDINATE COLOR WITH ARCHITECTS.
10. PROVIDE WALL PLATES FOR ALL WIRING DEVICES, NYLON SMOOTH TYPE IN FINISHED AREAS AND GALVANIZED IN UNFINISHED AREAS.
11. ALL WIRING SHALL BE 600V, COPPER WITH TYPE THHN/THWN INSULATION.
12. NEW PANELBOARDS TO BE PROVIDED W/ COPPER BUS, 100% COPPER NEUTRAL, COPPER GROUND BUS, HINGED DOOR AND FULLY RATED BOLT ON CIRCUIT BREAKERS SIZED AS INDICATED ON PANEL SCHEDULE.

0	ISSUED FOR PERMITTING	5-20-03
REV.	DESCRIPTION	DATE

ISSUED FOR PERMITTING 5-20-03

CURRENT ISSUE STATUS:



ORTHOPAEDIC ASSOCIATES
SEWALL STREET EXPANSION
PROJECT: 22 SEWALL STREET, PORTLAND, MAINE

LEGEND AND GENERAL NOTES

SHEET TITLE:	
SCALE:	NONE DATE: 5-20-03
PROJECT MANAGER:	DJT GRAPHIC SCALE: 0" 1"
JOB CAP/DRAWN:	LAM
A/E OF RECORD:	DJT SHEET No.
SMRT CAD FILE:	E-001-03018
PROJECT No.	03018

GENERAL NOTE
1. ALL GENERAL NOTES, SYMBOL LISTS, AND DETAILS ARE TO BE CONSIDERED AS APPLICABLE TO ALL ELECTRICAL DRAWINGS FOR THIS PROJECT. SYMBOLS AND ABBREVIATIONS SHOWN ON THIS SHEET ARE FOR REFERENCE ONLY AND DO NOT INDICATE THEIR INCORPORATION IN THE DESIGN.