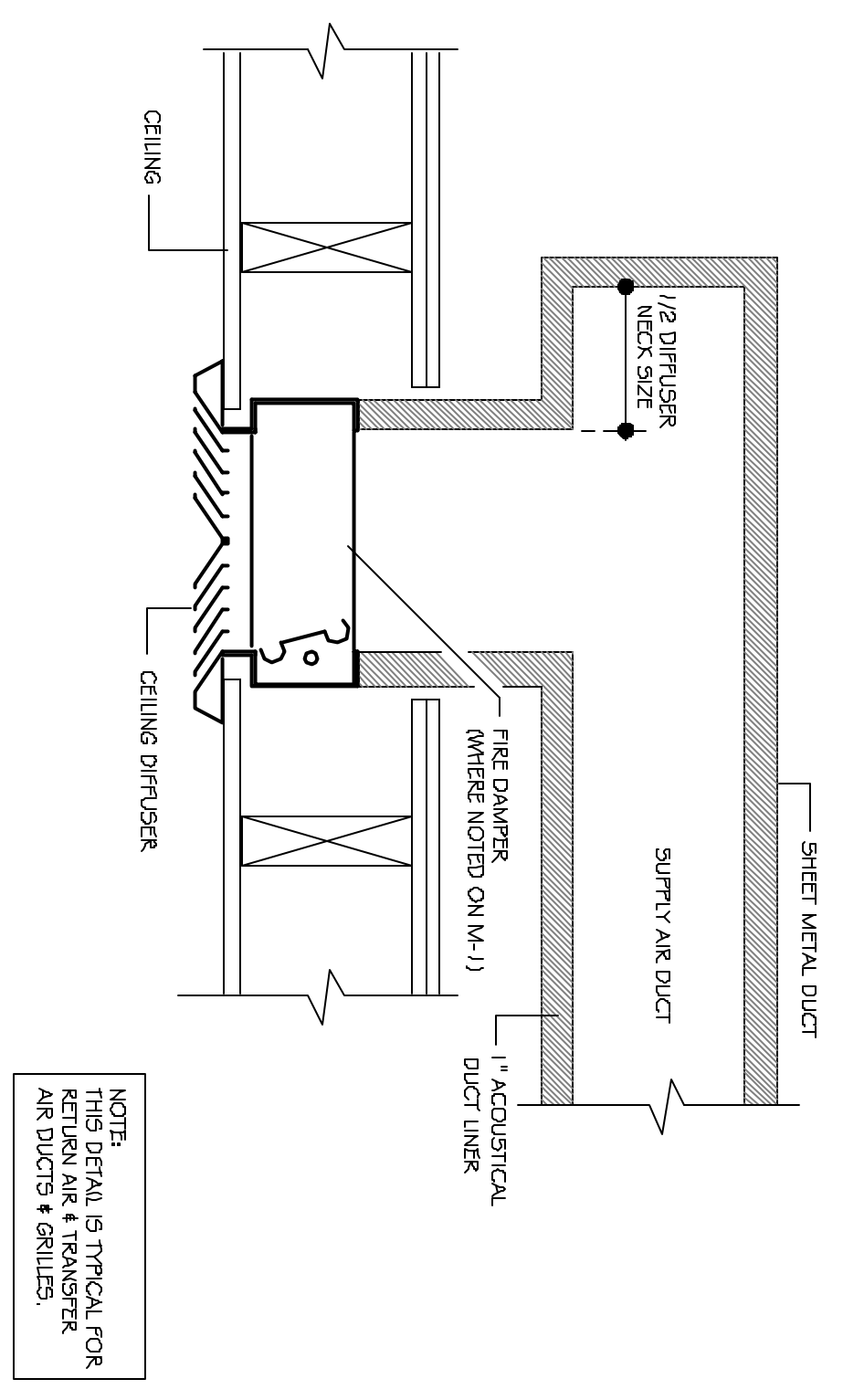
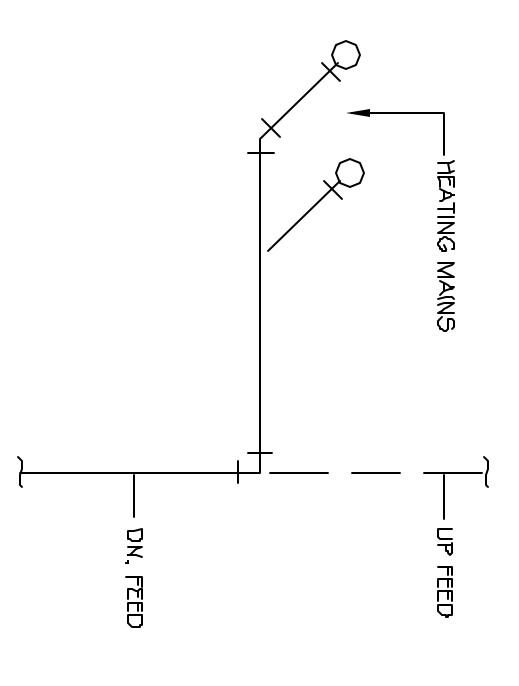


PRIMARY FIRE DAMPER DETAIL  
TYPE 'B' 100% FREE AREA

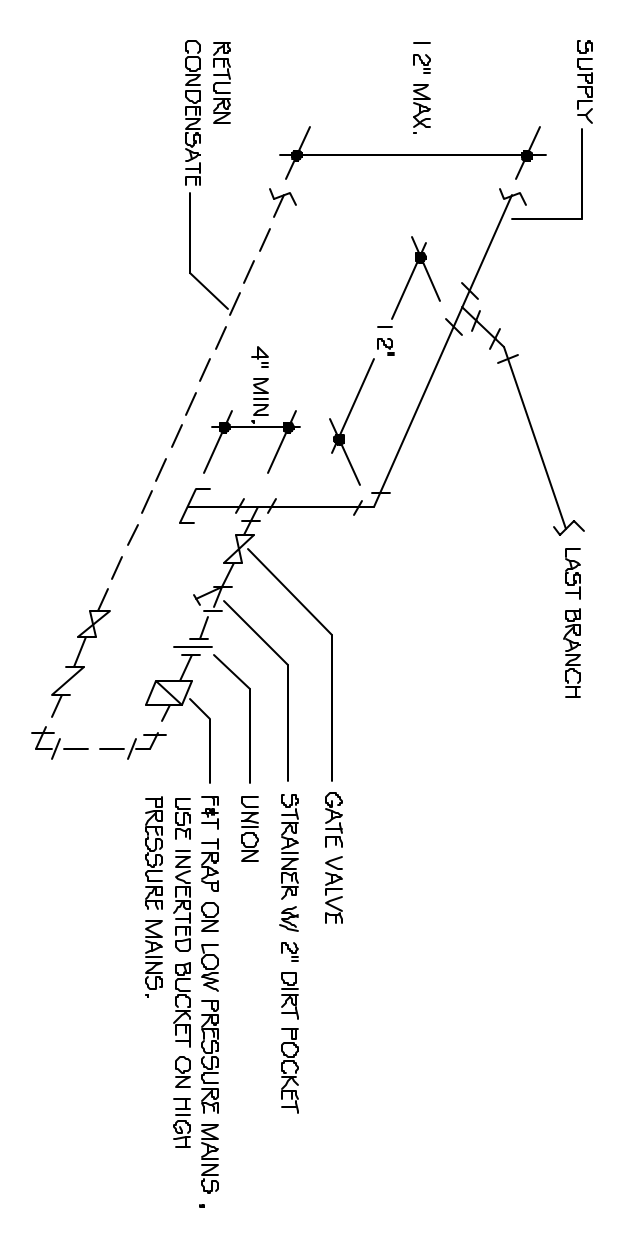


NOTE:  
THIS DETAIL IS TYPICAL FOR  
ALL DAMPERS & TRANSOM  
AIRWAYS & TRANSOM  
AIRWAYS & TRANSOM

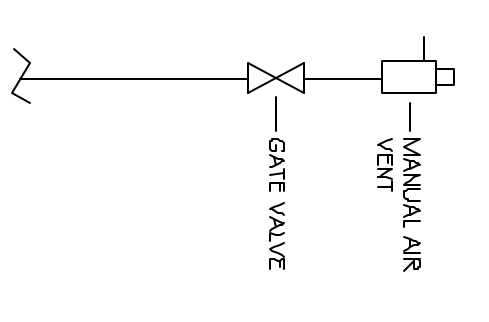
FIRE DAMPER / CEILING TYPE



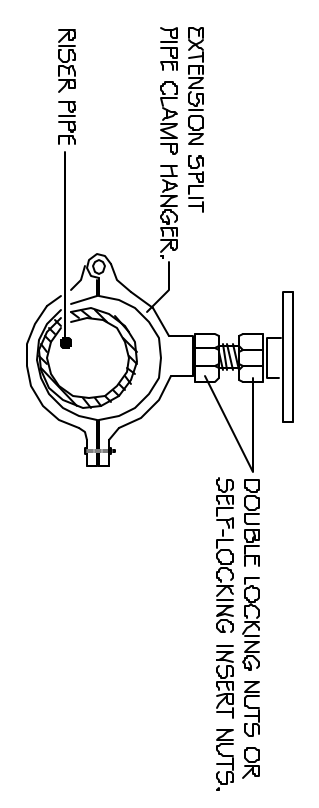
TYP. HOT & CHILLED WATER  
PIPING TAKE-OFF



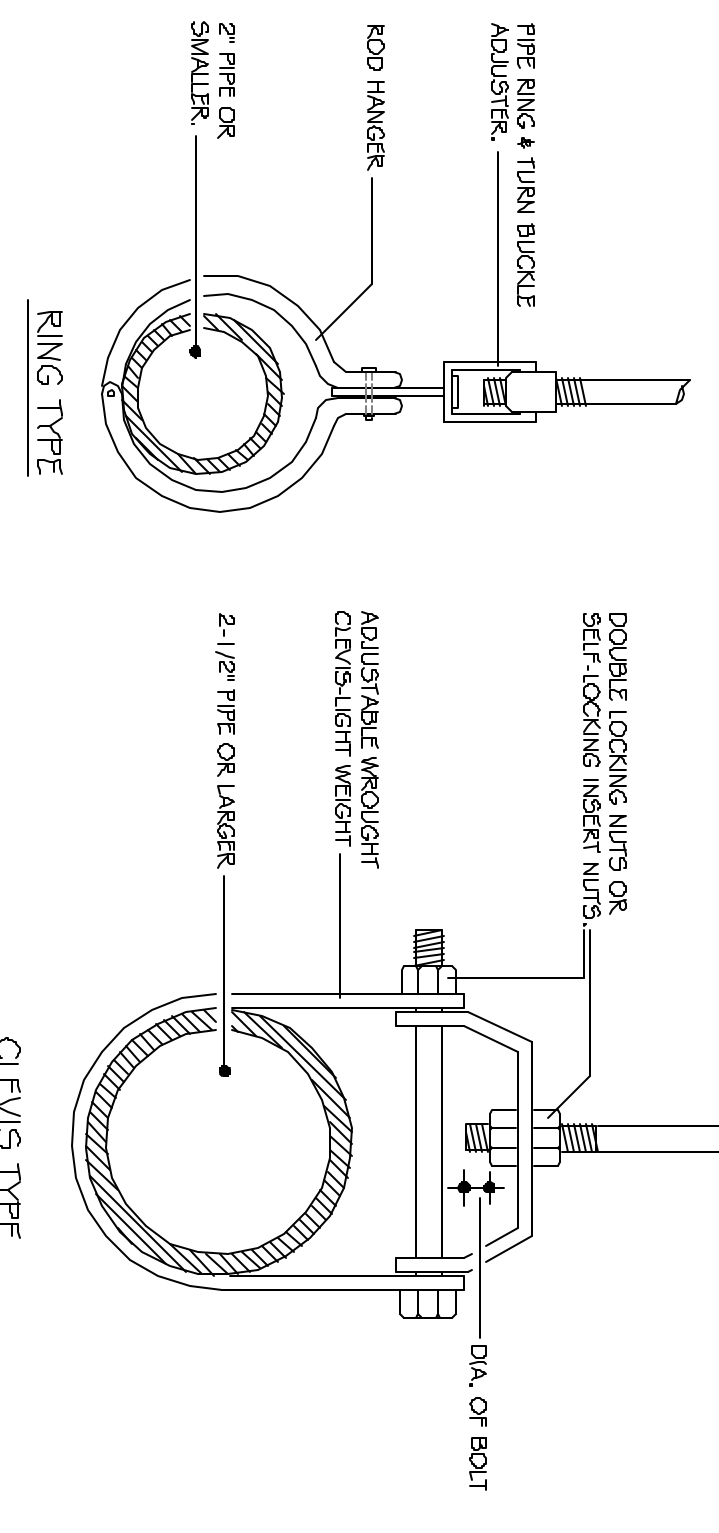
END OF MAIN DRIP DETAIL



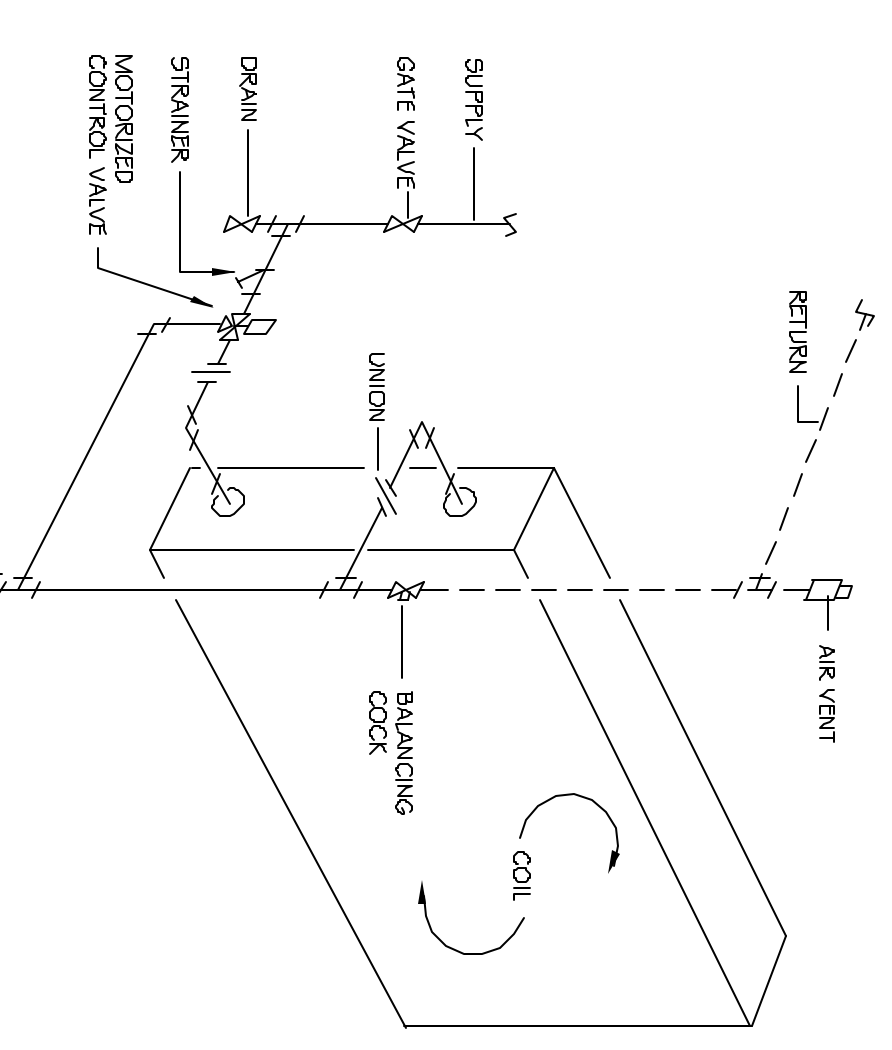
END OF MAIN  
AIR VENT DETAIL



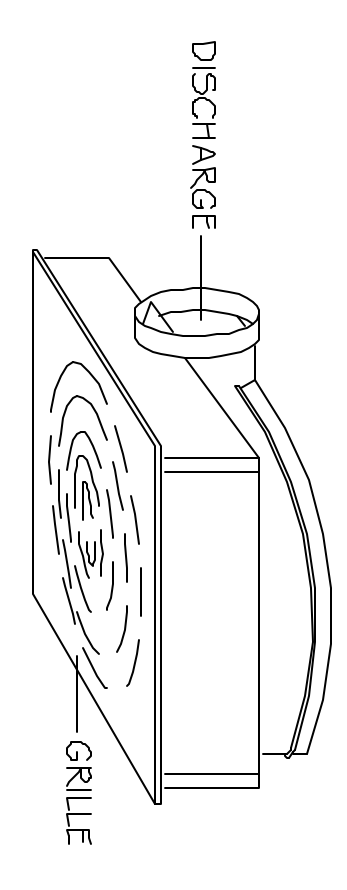
RIBBER HANGER



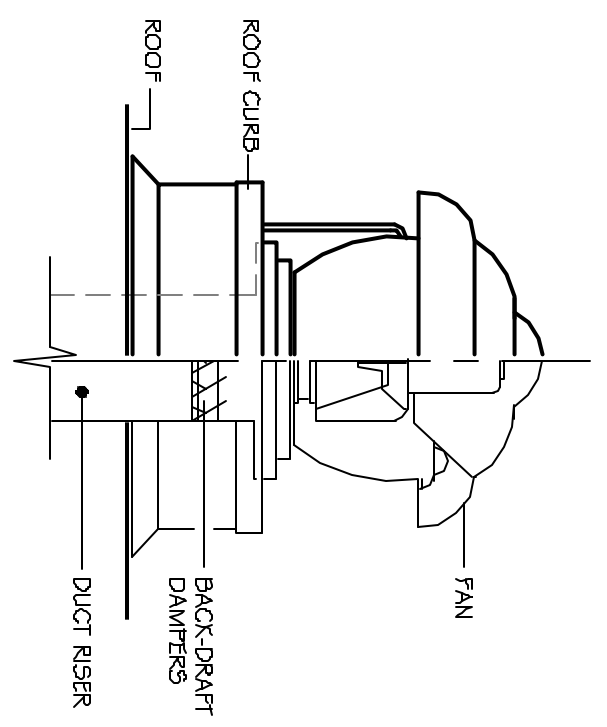
HANGERS & SUPPORTS



CHILLED & HOT WATER  
COIL PIPING DETAIL

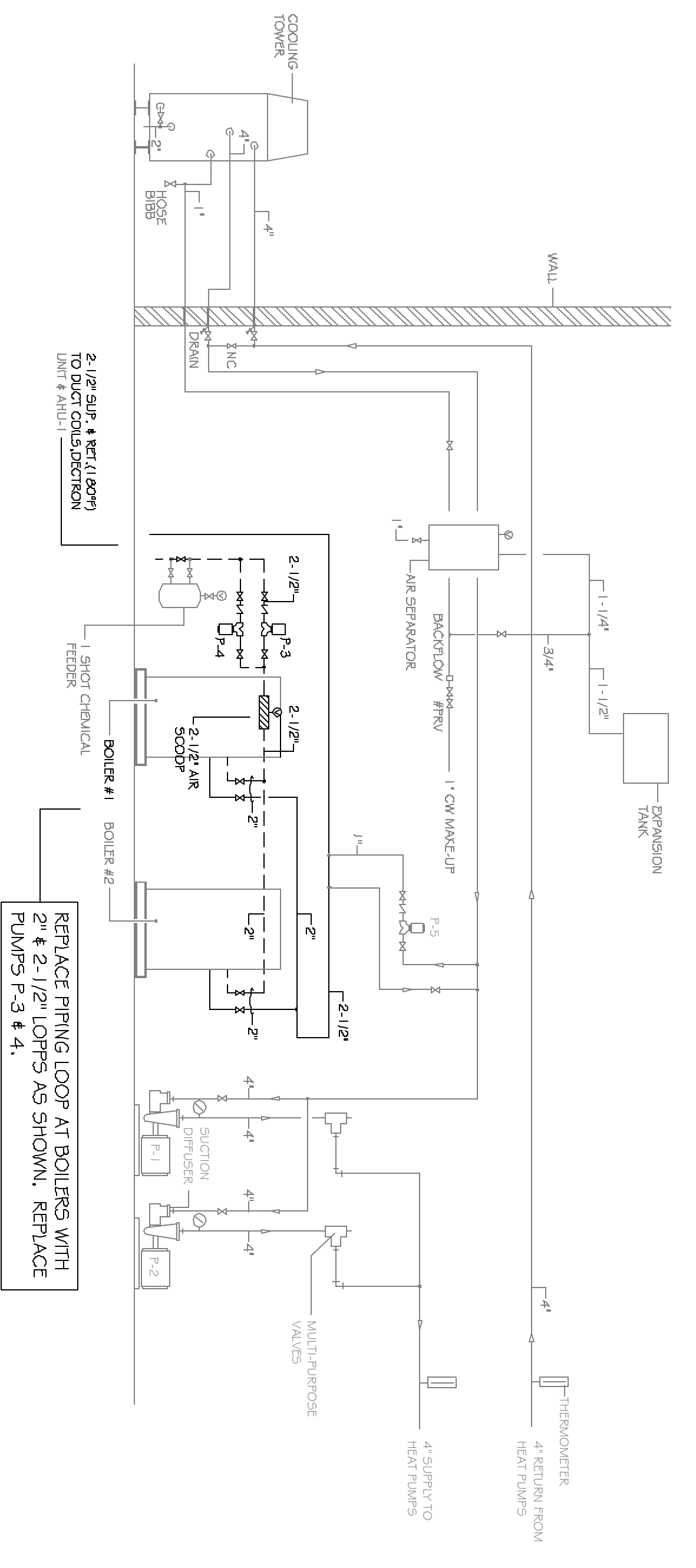


CEILING FAN

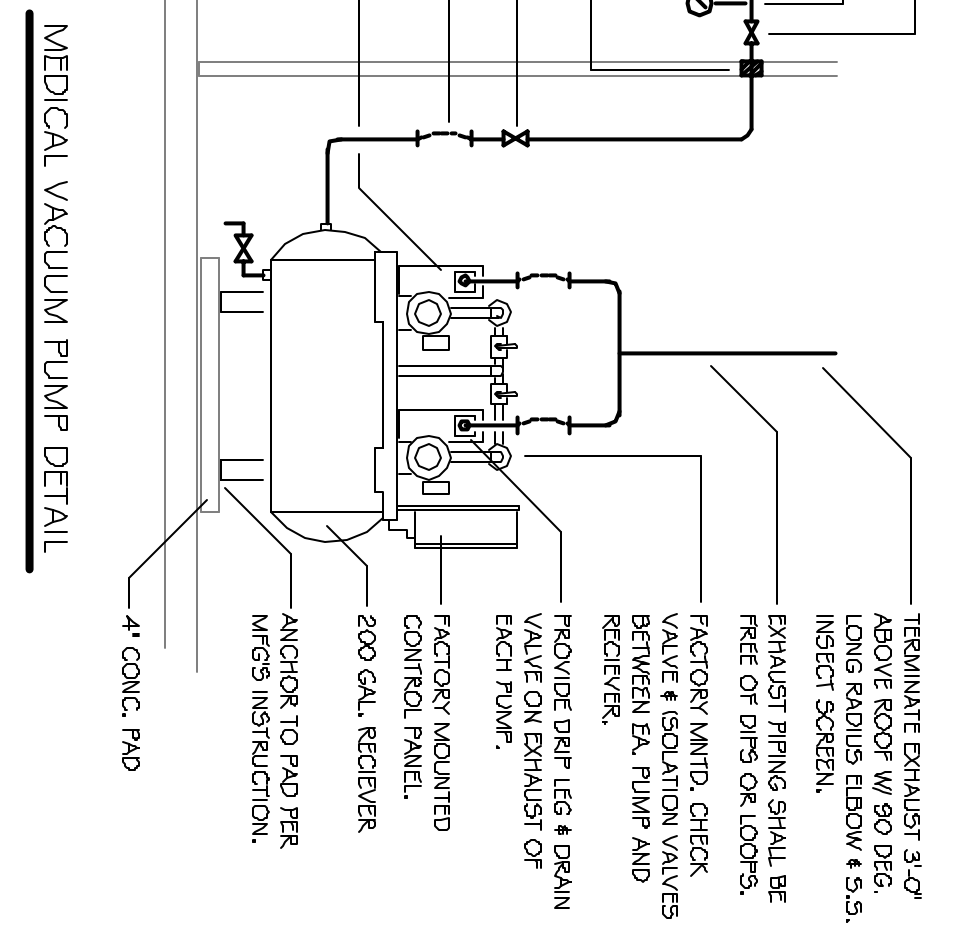


DIRECT DRIVE FAN

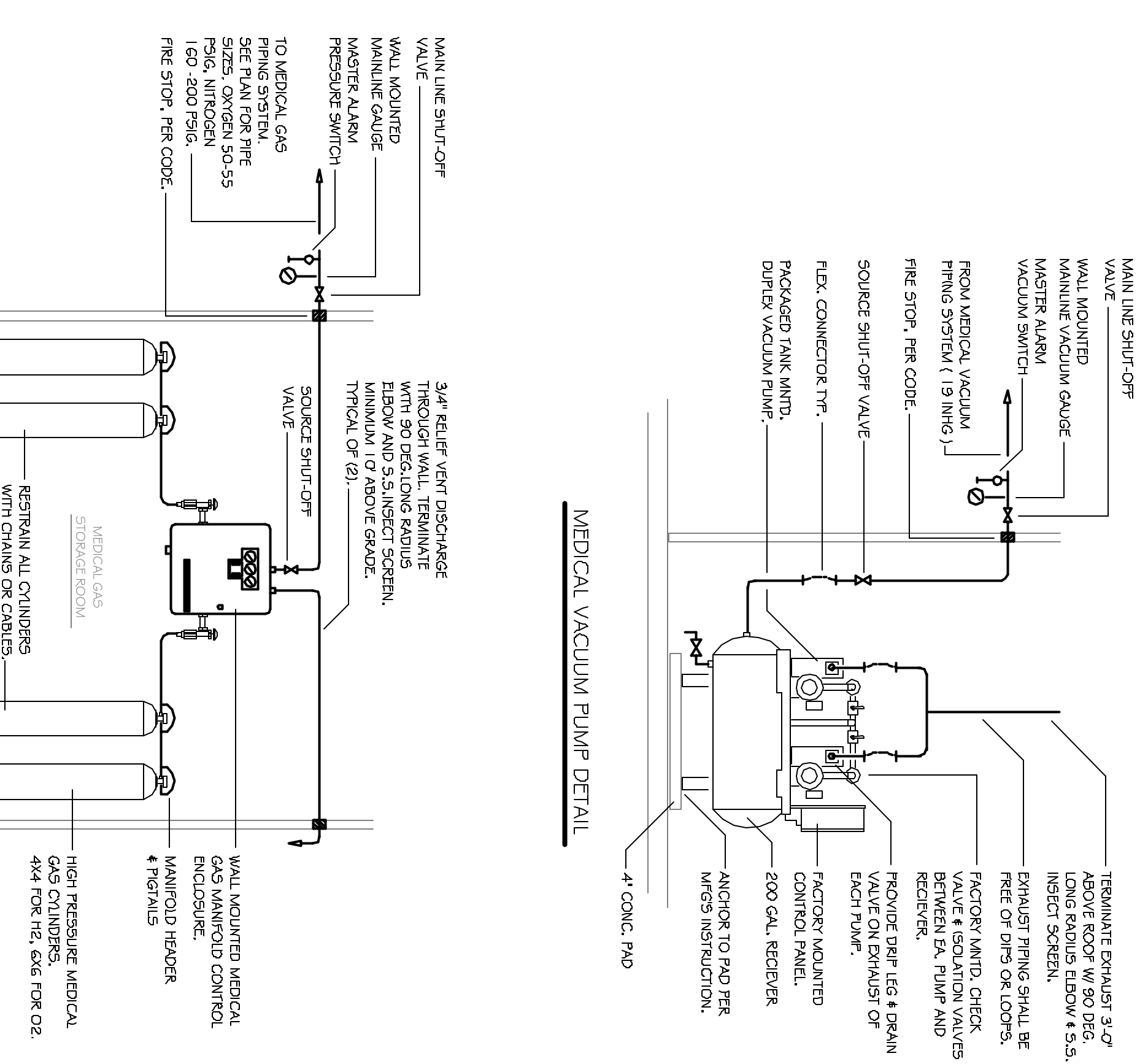
SCHEMATIC PIPING / EXISTING MECHANICAL ROOM



N.T.S.



MEDICAL VACUUM PUMP DETAIL



MEDICAL GAS MANIFOLD DETAIL / TYP. OF 2 (NITROUS OXIDE & NITROGEN)