

LEGEND

	CABLE TRAY FOR COMMUNICATIONS AT BAR JOIST
	BODINE EMG. BALLASTED NIGHT LIGHT FIXTURE
	2X4 LIGHT FIXTURE (# INDICATES TYPE PER FIXTURE SCHEDULE)
	1X4 LIGHT FIXTURE (# INDICATES TYPE PER FIXTURE SCHEDULE, DIAGONAL LINE DENOTES NIGHT LIGHT)
	DOWN LIGHT FIXTURE (# INDICATES TYPE PER FIXTURE SCHEDULE)
	SINGLE POLE SWITCH - MOUNTED 48" AFF TO TOP
	THREE WAY SWITCH - MOUNTED 48" AFF TO TOP
	FOUR WAY SWITCH
	MOTION SENSING SWITCH
	SPECIALTY OUTLET
	DUPLEX CONVENIENCE OUTLET 18" AFF TO CENTER EXCEPT AS NOTED
	208 V RECEPTACLE
	DOUBLE DUPLEX CONVENIENCE OUTLET 18" AFF TO CENTER EXCEPT AS NOTED
	JUNCTION BOX - SIZED AS REQUIRED
	POWER POLE CONNECTION. PANEL AND CIRCUITING AS INDICATED
	DISCONNECT SWITCH - FUSED AS REQUIRED (DIAGONAL LINE INDICATES FUSED)
	ELECTRIC MOTOR CONTROLLER
	EXIT LIGHT ATLITE #PNLRU W/LED LAMPS BATTERY BACKUP
	EBU - EMERGENCY LIGHT BATTERY UNIT. 120V VOLT AC. BATTERIES TO BE RATED FOR 90 MINUTES FOR CONNECTED LOAD.
	TEL/DATA RECEPTACLES (HALF SHADED DENOTES TELEPHONE AND DATA, CLEAR TELEPHONE ONLY)
	POWER FLOOR BOX
	FRACTIONAL HP MOTOR
	MECHANICAL EQUIPMENT
	PANELXX - PANELBOARD- SEE SCHEDULES FOR CIRCUITING
	GFI GROUND FAULT INTERRUPTER /W SURGE SUPPRESSOR
	EWC ELECTRIC WATER COOLER
	EF EXHAUST FAN
	WP WEATHERPROOF
	PC PARTIAL CIRCUIT
	FBO FURNISHED BY OTHERS
	C COUNTER HEIGHT (SEE MILLWORK DRAWINGS FOR HEIGHT)
	H HOSPITAL GRADE W/RED FACE AND PLATE. IF GFI, DEVICE TO HAVE SURGE SUPPRESSOR
	IG ISOLATED GROUND OUTLET /W SURGE SUPPRESSOR. ORANGE FACE AND PLATE
	ST MANUAL THERMAL OVERLOAD SWITCH
	BD BUSS DUCT
	DTT DRY TYPE TRANSFORMER

FIRE ALARM SYSTEM

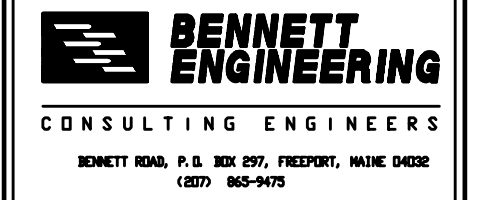
	FIRE ALARM MANUAL STATION 48" AFF
	FIRE ALARM HORN AND LIGHT UNIT - MOUNT 80" AFF EXCEPT NO CLOSER THAN 6" TO CEILING. NUMBER DENOTES CANDELA RATING
	SPRINKLER TAMPER SWITCH
	SPRINKLER WATERFLOW SWITCH
	FIRE ALARM VISUAL UNIT (NUMBER DENOTES CANDELA RATING) 6'8" AFF
	FIRE ALARM SMOKE DETECTOR "E" SUBSCRIPT DENOTES ELEVATOR RECALL.

DRAWINGS

E100-LEGENDS
E200-SITE
E300-LIGHTING 1ST
E301-LIGHTING 2ND
E302-LIGHTING 3RD
E303-LIGHTING 4TH
E400-POWER 1ST
E401-POWER 2ND
E401-POWER 3RD
E403-POWER 4TH & ROOF
E500-DETAILS
E600-SCHEDULES
E601-SCHEDULES

GENERAL NOTES:

- 1) ALL BRANCH CIRCUITS TO BE TYPE MC CABLE.
- 2) ALL ELECTRICAL MUST MEET NEC AND LOCAL CODES.
- 3) TELEPHONE AND DATA WIRING BY OTHERS
- 4) TEMPERATURE CONTROL WIRING BY OTHERS



THESE ELECTRICAL DRAWINGS ARE THE PROPERTY OF B.H. MILLIKEN ELECTRICAL CONTRACTORS INC. AND FOR THEIR USE ONLY.

B.H. Milliken
ELECTRICAL CONTRACTORS
175 ANDERSON STREET
PORTLAND, MAINE 04101
PHONE 879-1877
FAX: 774-1492

50 SEWALL ST.
MEDICAL OFFICE BUILDING
50 SEWALL ST.
PORTLAND, MAINE

TITLE

LEGEND

SCALE: NONE

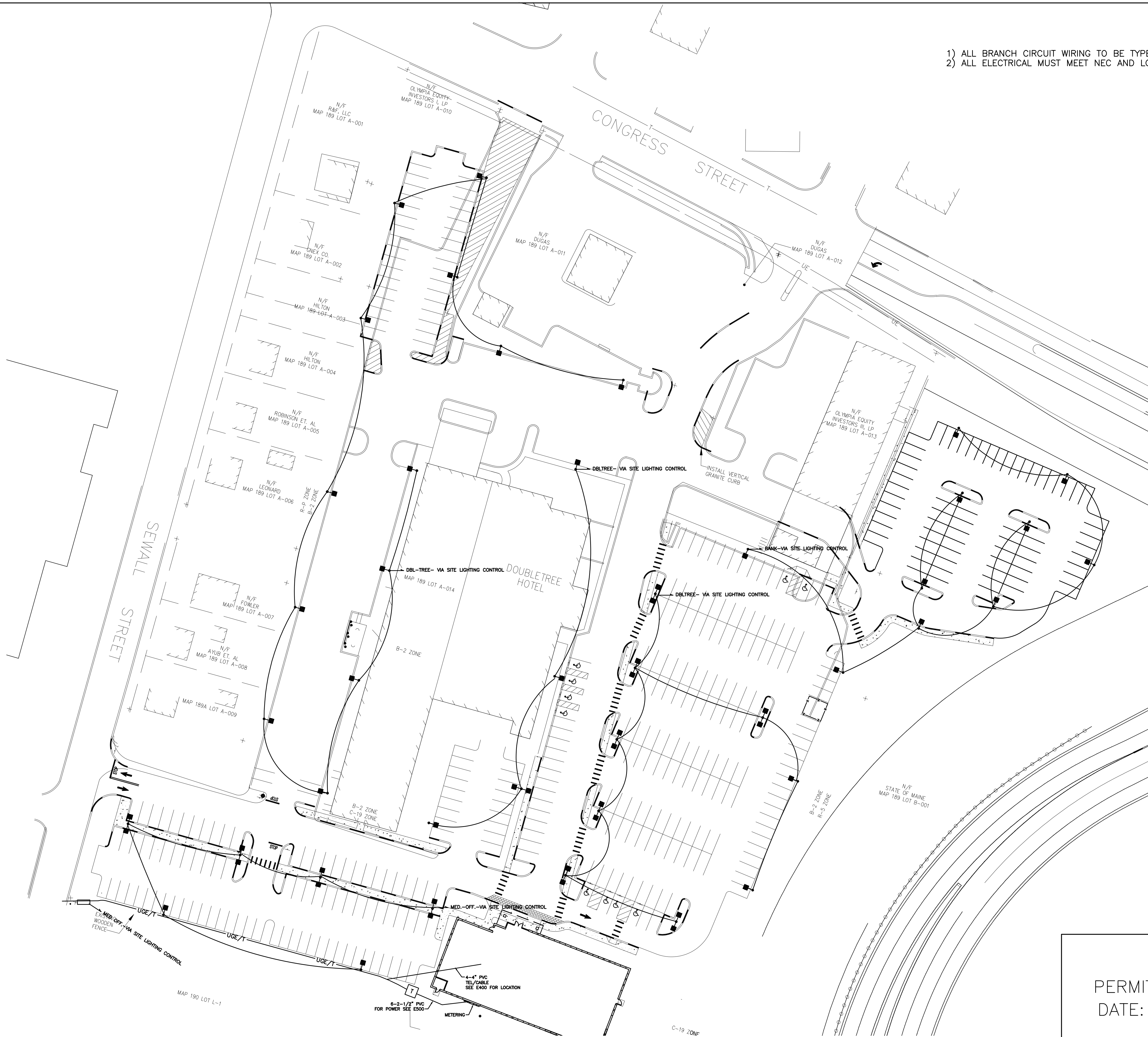
DATE: 5-19-05

SHEET

E100

PERMIT SET
DATE: 5-19-05

- 1) ALL BRANCH CIRCUIT WIRING TO BE TYPE MC CABLE.
- 2) ALL ELECTRICAL MUST MEET NEC AND LOCAL CODES



PERMIT SET
DATE: 5-19-05

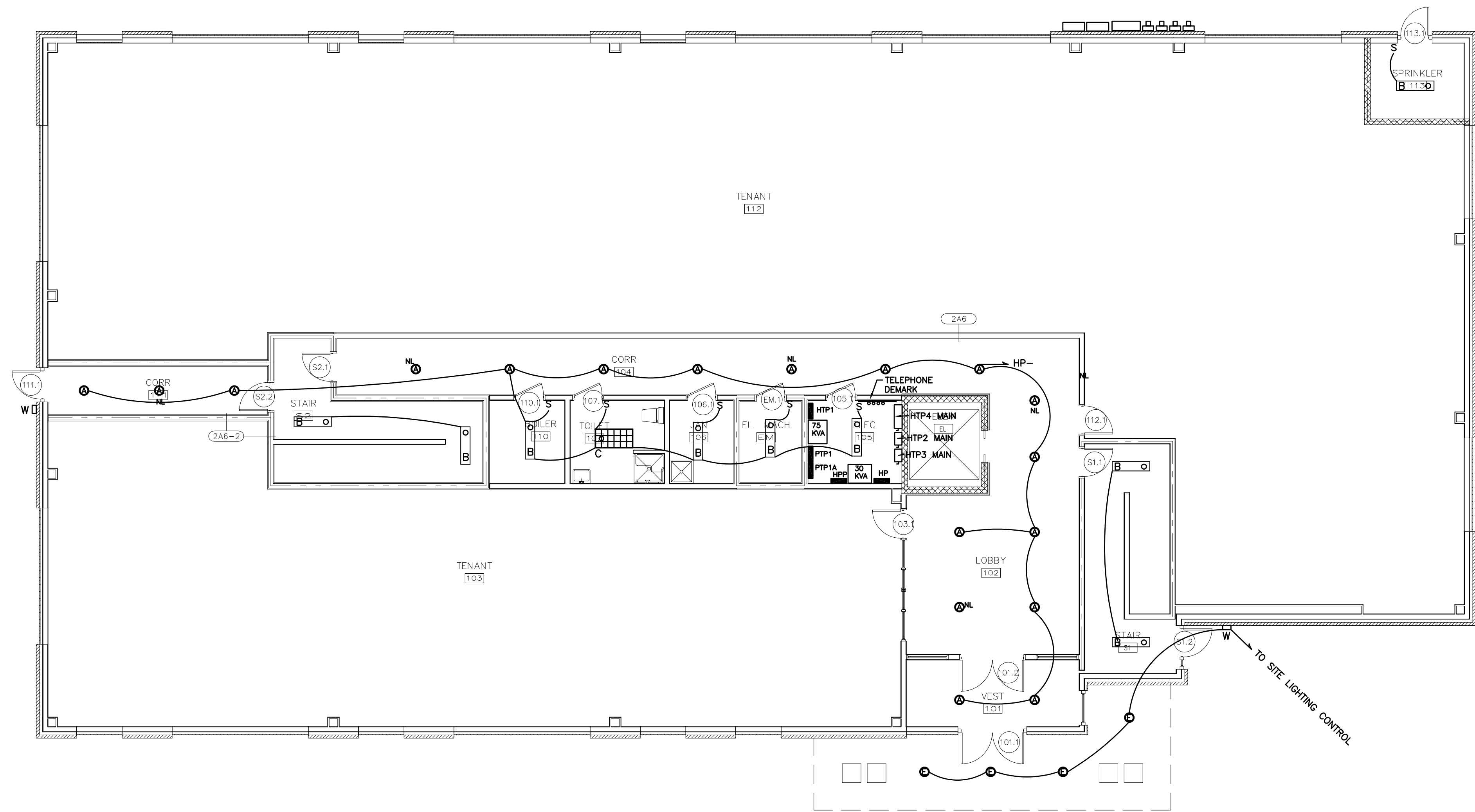
BENNETT ENGINEERING
CONSULTING ENGINEERS
BENNETT ROAD, P.O. BOX 293, FREETOWN, MAINE 04032
(207) 965-9475

THESE ELECTRICAL DRAWINGS ARE THE PROPERTY OF B.H. MILLIKEN ELECTRICAL CONTRACTORS INC. AND FOR THEIR USE ONLY.

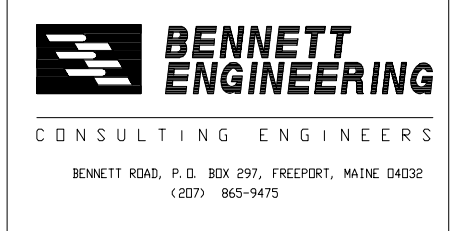
B.H. Milliken
ELECTRICAL CONTRACTORS
175 ANDERSON STREET
PORTLAND, MAINE 04101
PHONE 879-1877
FAX: 774-1492

50 SEWALL ST.
MEDICAL OFFICE BUILDING
50 SEWALL STREET
PORTLAND, MAINE

TITLE
SITE ELECTRICAL
SCALE: 1"=40'
DATE: 5-19-05
SHEET
E200



THESE ELECTRICAL DRAWINGS ARE THE PROPERTY OF B.H. MILLIKEN ELECTRICAL CONTRACTORS INC. AND FOR THEIR USE ONLY.



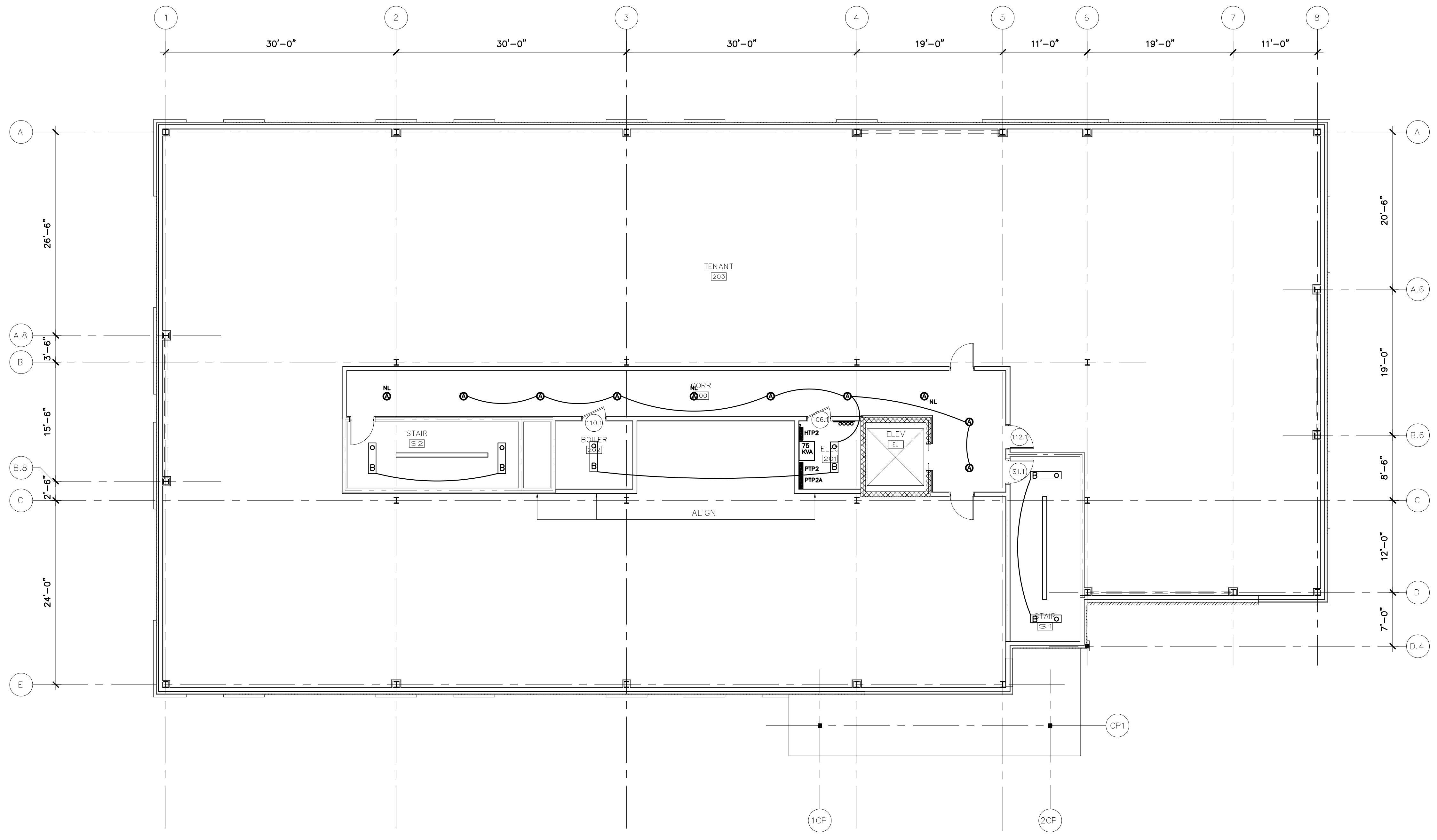
THESE ELECTRICAL DRAWINGS ARE THE PROPERTY OF B.H. MILLIKEN ELECTRICAL CONTRACTORS INC. AND FOR THEIR USE ONLY.



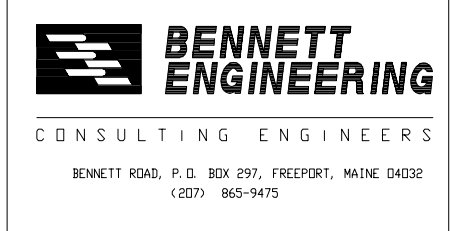
50 SEWALL ST.
MEDICAL OFFICE BUILDING
50 SEWALL ST.
PORTLAND, MAINE

TITLE
LIGHTING 1ST FLOOR
SCALE: 1/8"=1'
DATE: 5-19-05
SHEET
E300

PERMIT SET
DATE: 5-19-05



PERMIT SET
DATE: 5-19-05



THESE ELECTRICAL DRAWINGS ARE THE PROPERTY OF B.H. MILLIKEN ELECTRICAL CONTRACTORS INC. AND FOR THEIR USE ONLY.

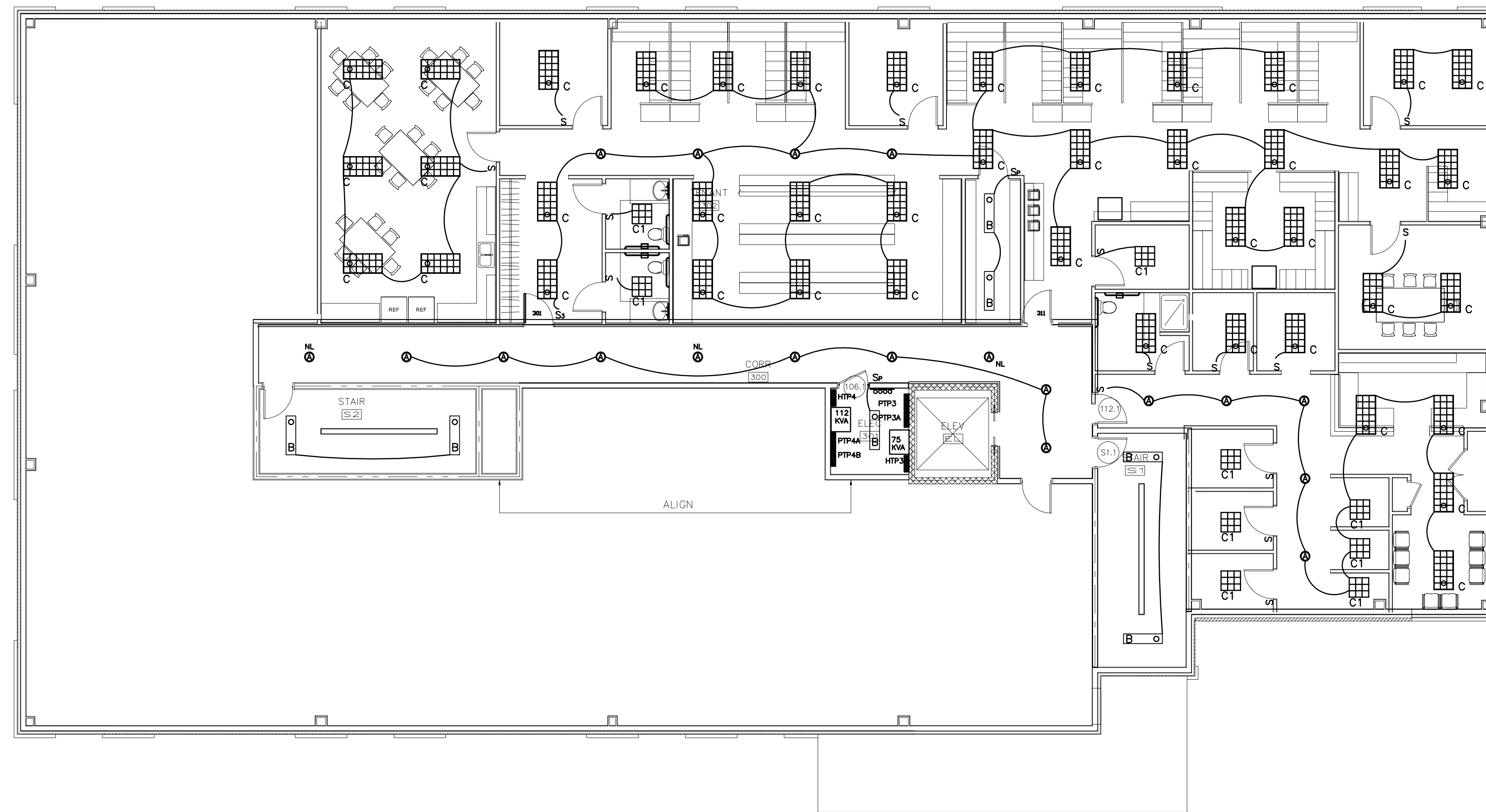
B.H. Milliken
ELECTRICAL CONTRACTORS
175 ANDERSON STREET
PORTLAND, MAINE 04101
PHONE 879-1877
FAX: 774-1492

50 SEWALL ST.
MEDICAL OFFICE BUILDING
50 SEWALL ST.
PORTLAND, MAINE

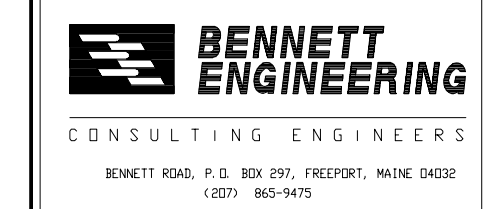
TITLE
LIGHTING 2ND

SCALE: 1/8"=1'
DATE: 5-19-05

SHEET
E301



PERMIT SET
DATE: 5-19-05



THESE ELECTRICAL DRAWINGS ARE THE PROPERTY OF B.H. MILLIKEN ELECTRICAL CONTRACTORS INC. AND FOR THEIR USE ONLY.

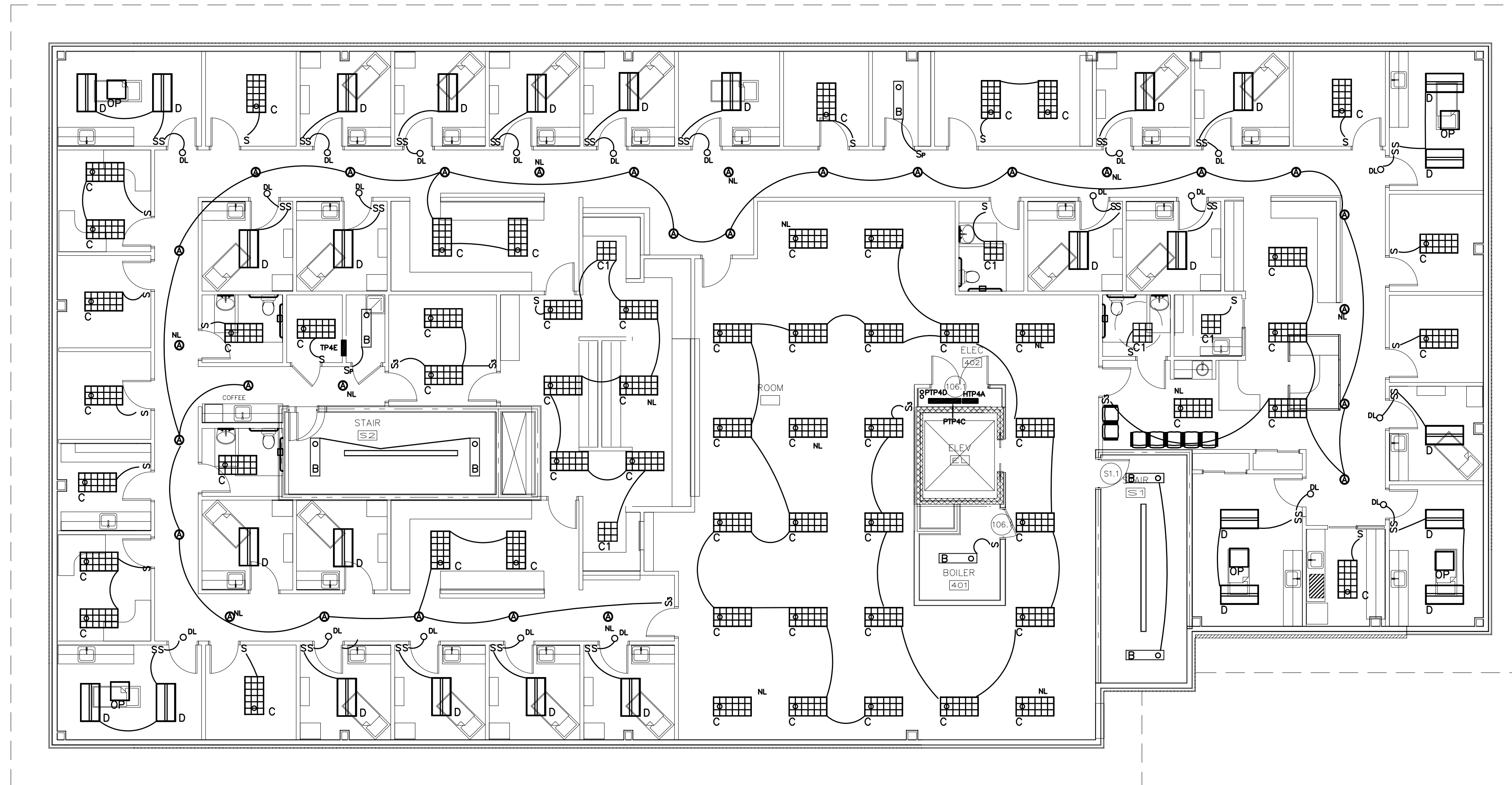
B.H. Milliken
ELECTRICAL CONTRACTORS
175 ANDERSON STREET
PORTLAND, MAINE 04101
PHONE 879-1877
FAX: 774-1492

50 SEWALL ST.
MEDICAL OFFICE BUILDING
50 SEWALL ST.
PORTLAND, MAINE

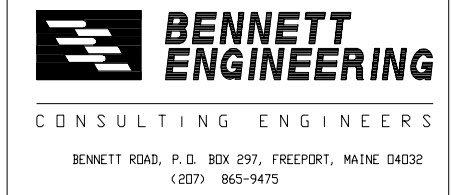
TITLE
LIGHTING 3RD FLOOR

SCALE: 1/8"=1'
DATE: 5-19-05

SHEET
E302



THESE ELECTRICAL DRAWINGS ARE THE PROPERTY OF B.H. MILLIKEN ELECTRICAL CONTRACTORS INC. AND FOR THEIR USE ONLY.



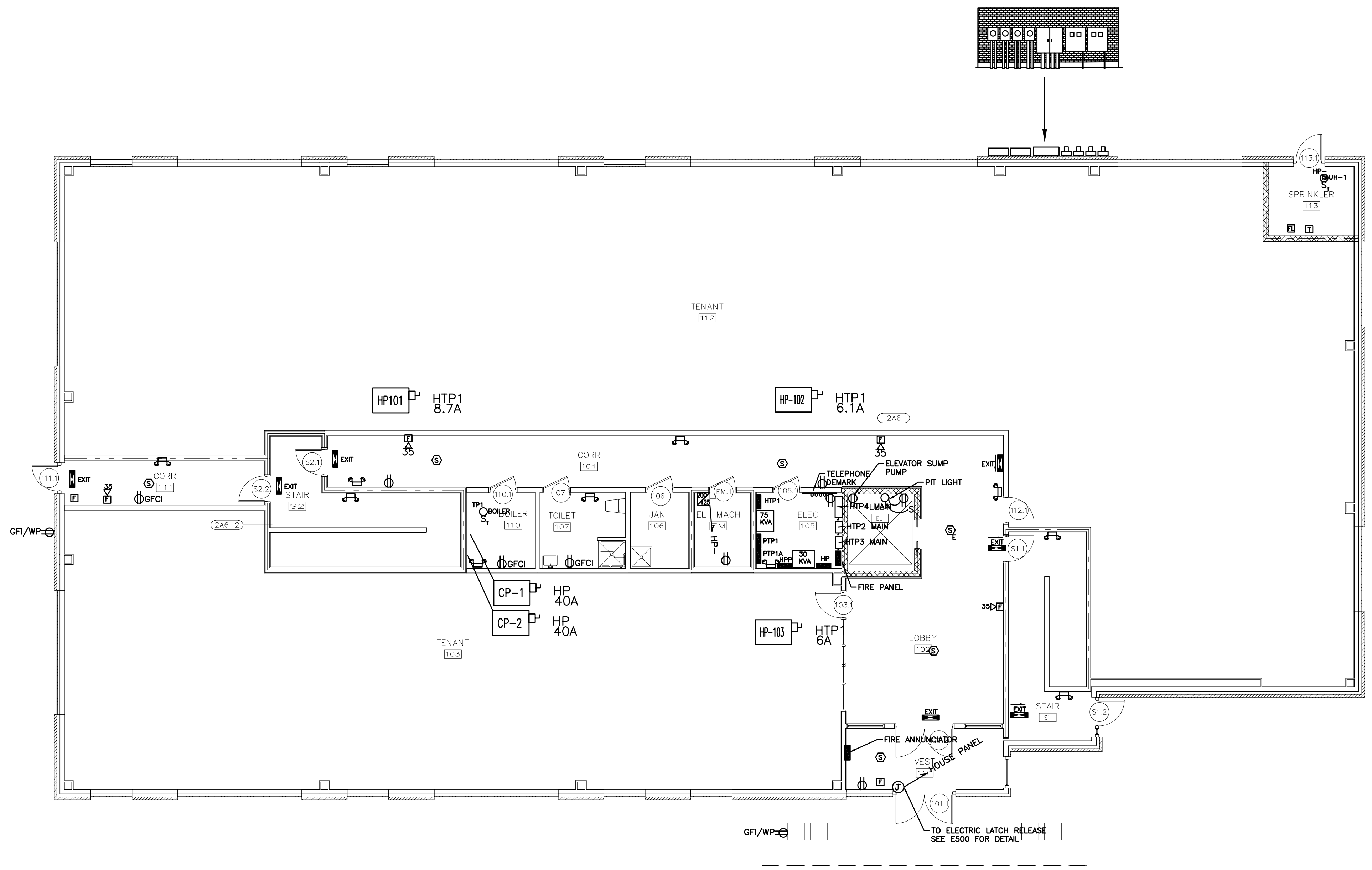
THESE ELECTRICAL DRAWINGS ARE THE PROPERTY OF B.H. MILLIKEN ELECTRICAL CONTRACTORS INC. AND FOR THEIR USE ONLY.

BH Milliken
ELECTRICAL CONTRACTORS
175 ANDERSON STREET
PORTLAND, MAINE 04101
PHONE 879-1877
FAX: 774-1492

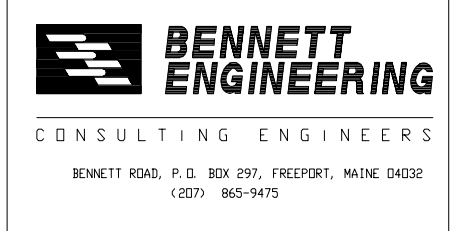
50 SEWALL ST.
MEDICAL OFFICE BUILDING
50 SEWALL ST.
PORTLAND, MAINE

PERMIT SET
DATE: 5-19-05

TITLE	LIGHTING 4TH FLOOR
SCALE:	1/8"=1'
DATE:	5-19-05
SHEET	E303



PERMIT SET
DATE: 5-19-05

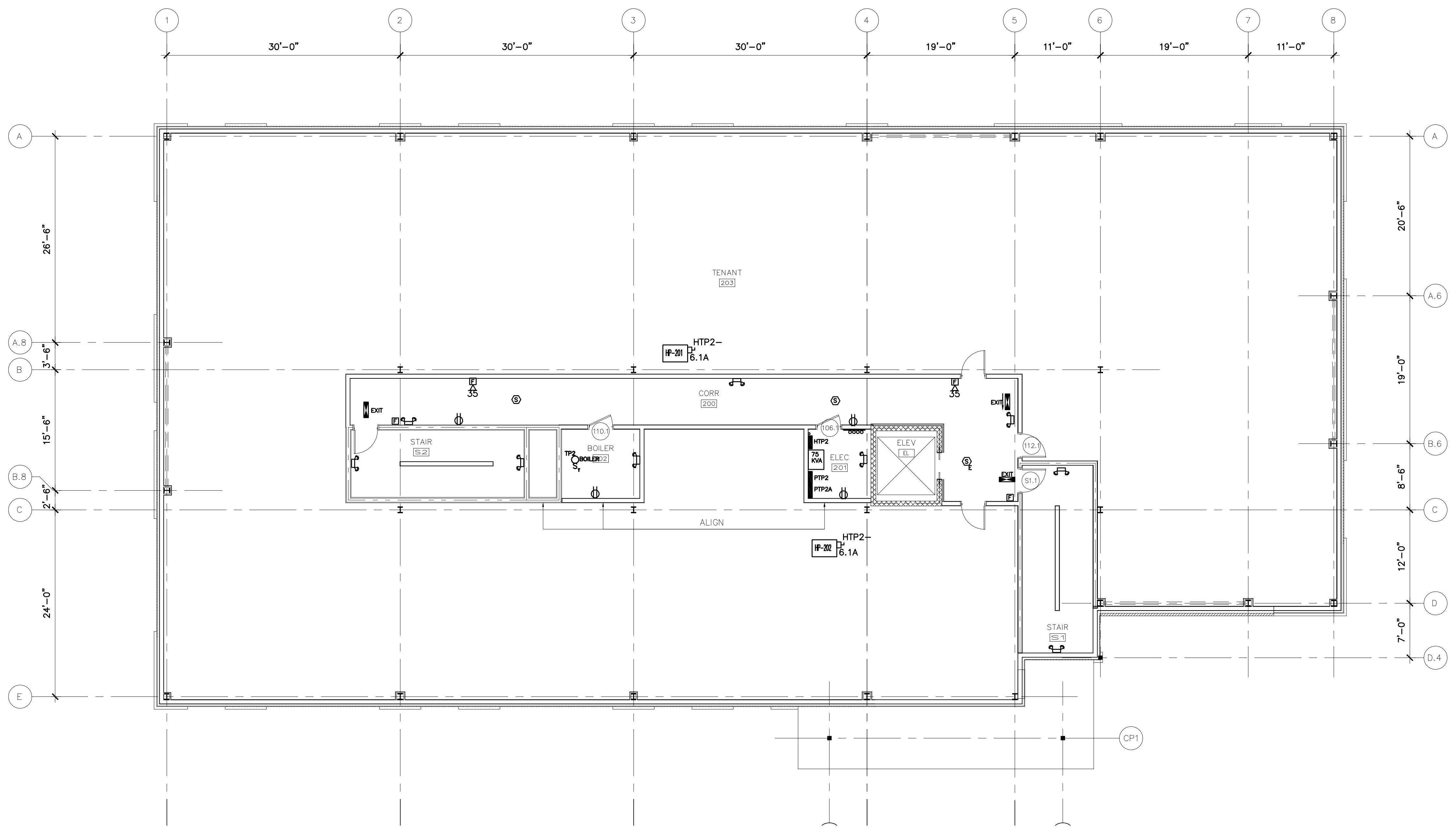


THESE ELECTRICAL DRAWINGS ARE THE PROPERTY OF B.H. MILLIKEN ELECTRICAL CONTRACTORS INC. AND FOR THEIR USE ONLY.

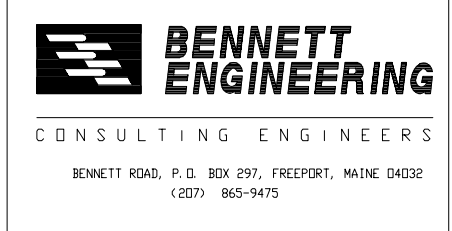
B.H. Milliken
ELECTRICAL CONTRACTORS
175 ANDERSON STREET
PORTLAND, MAINE 04101
PHONE 879-1877
FAX: 774-1492

50 SEWALL STREET
MEDICAL OFFICE BUILDING
50 SEWALL STREET
PORTLAND, MAINE

TITLE
1ST FLOOR POWER
SCALE: 1/8"=1'
DATE: 5-19-05
SHEET
E400



PERMIT SET
DATE: 5-19-05

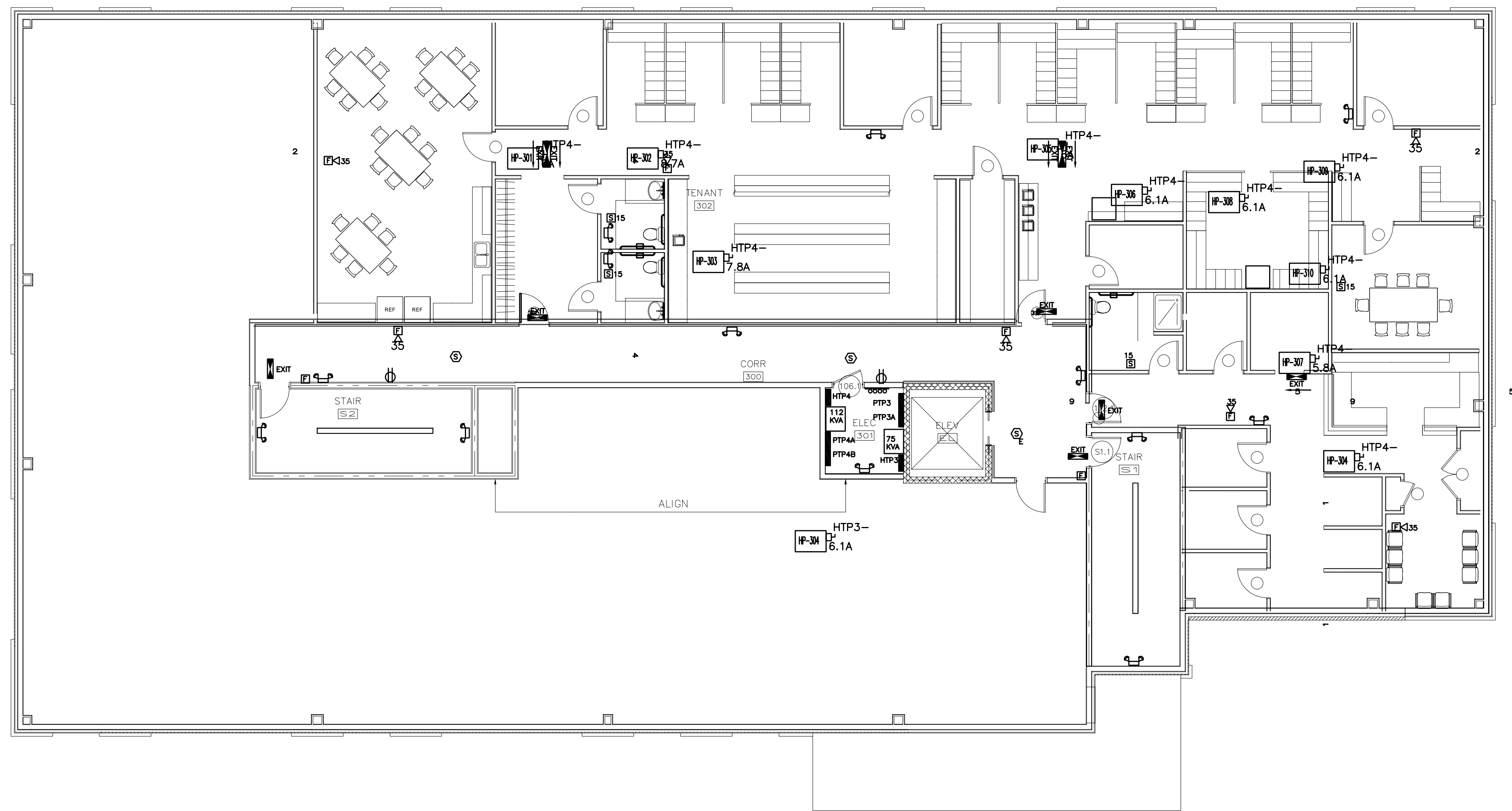


THESE ELECTRICAL DRAWINGS ARE THE PROPERTY OF B.H. MILLIKEN ELECTRICAL CONTRACTORS INC. AND FOR THEIR USE ONLY.

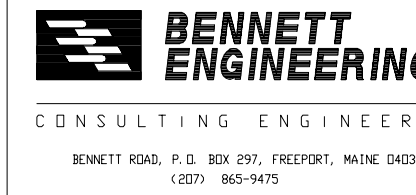
B.H. Milliken
ELECTRICAL CONTRACTORS
175 ANDERSON STREET
PORTLAND, MAINE 04101
PHONE 879-1877
FAX: 774-1492

50 SEWALL STREET
MEDICAL OFFICE BUILDING
50 SEWALL STREET
PORTLAND, MAINE

TITLE	POWER 3RD FLOOR
SCALE:	1/8"=1'
DATE:	5-19-05
SHEET	E401



THESE ELECTRICAL DRAWINGS ARE THE PROPERTY OF B.H. MILLIKEN ELECTRICAL CONTRACTORS INC. AND FOR THEIR USE ONLY.



THESE ELECTRICAL DRAWINGS ARE THE PROPERTY OF B.H. MILLIKEN ELECTRICAL CONTRACTORS INC. AND FOR THEIR USE ONLY.

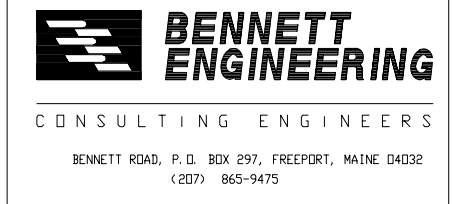
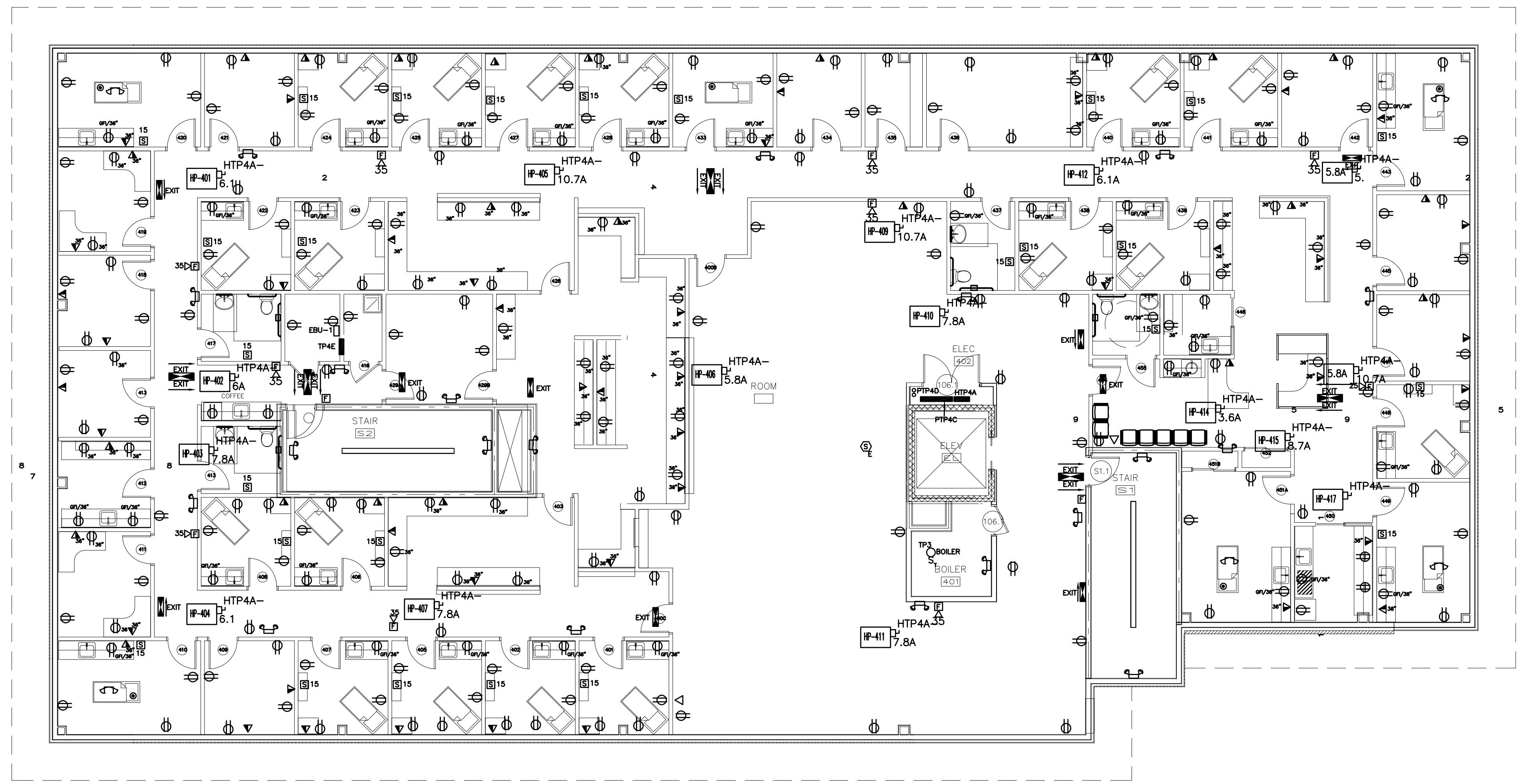


175 ANDERSON STREET
 PORTLAND, MAINE 04101
 PHONE 879-1877
 FAX: 774-1492

50 SEWALL STREET
 MEDICAL OFFICE BUILDING
 50 SEWALL STREET
 PORTLAND, MAINE

PERMIT SET
 DATE: 5-19-05

TITLE
3RD FLOOR POWER
SCALE: 1/8"=1'
DATE: 5-19-05
SHEET
E402

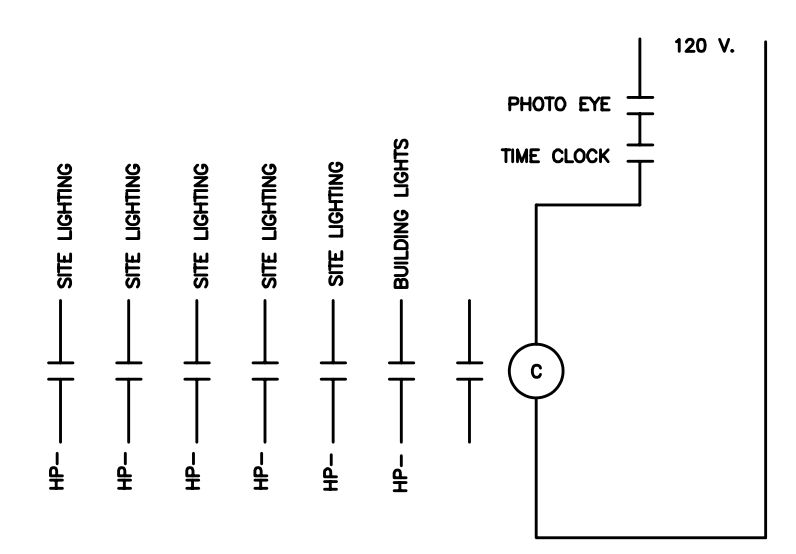
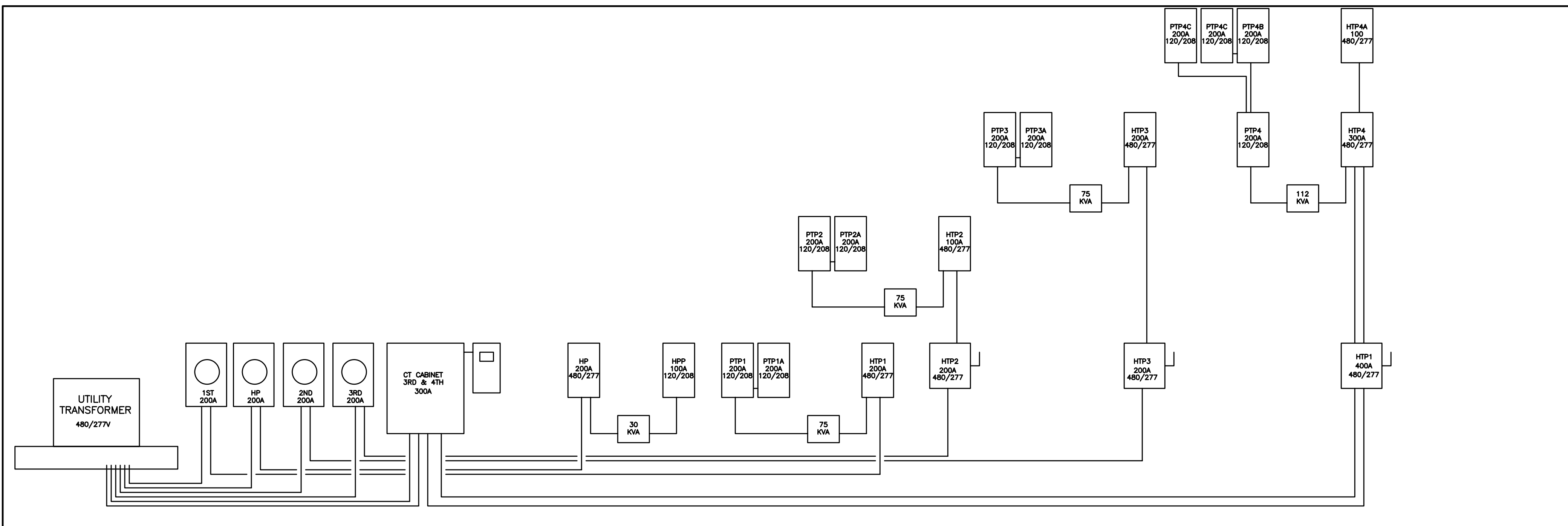


THESE ELECTRICAL DRAWINGS ARE THE PROPERTY OF B.H. MILLIKEN ELECTRICAL CONTRACTORS INC. AND FOR THEIR USE ONLY.



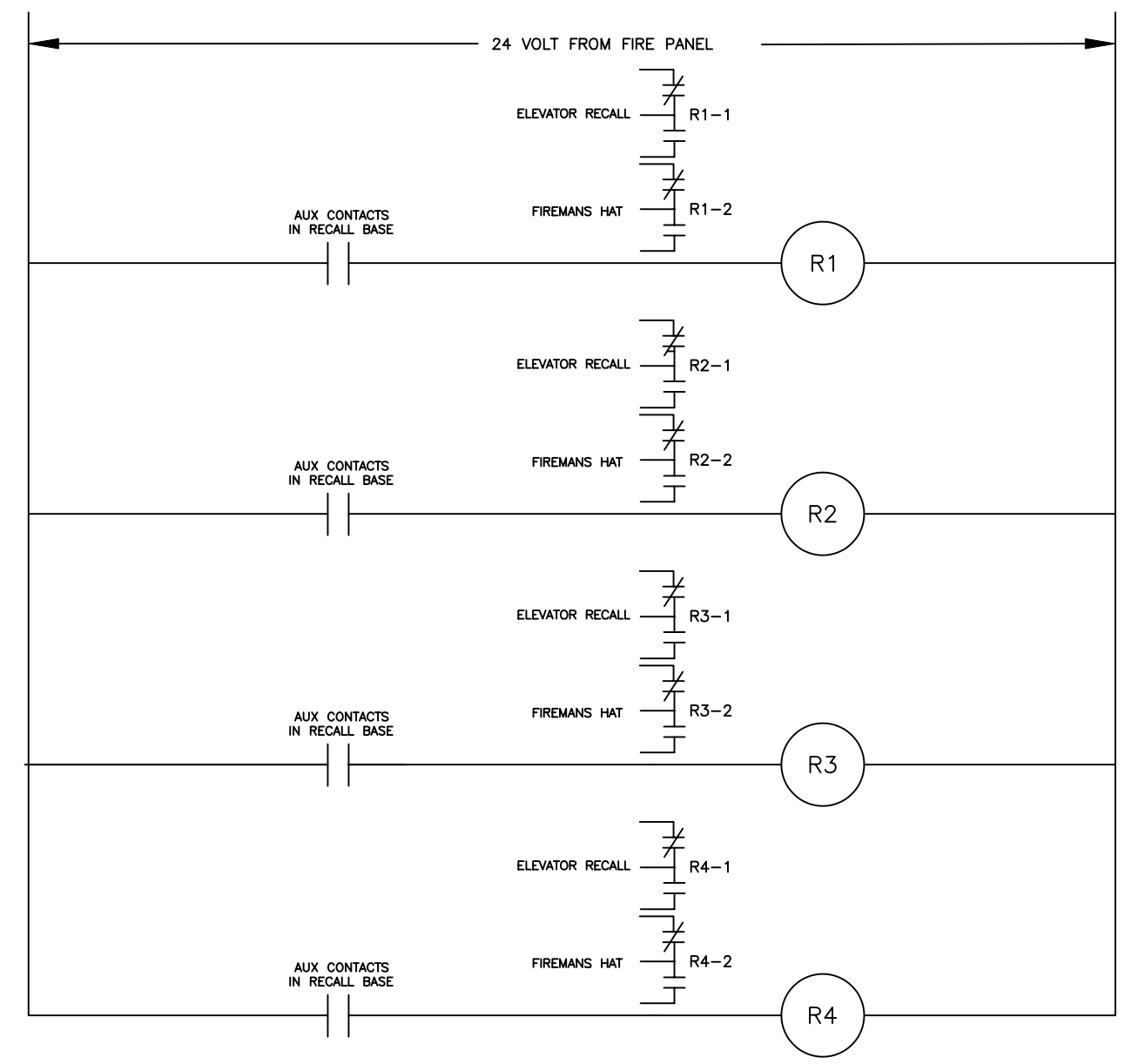
50 SEWALL STREET
MEDICAL OFFICE BUILDING
50 SEWALL STREET
PORTLAND, MAINE

TITLE	4TH FLOOR & ROOF POWER
SCALE:	1/8"=1'
DATE:	5-19-05
SHEET	E403



DISTRIBUTION

SITE LIGHTING CONTROL



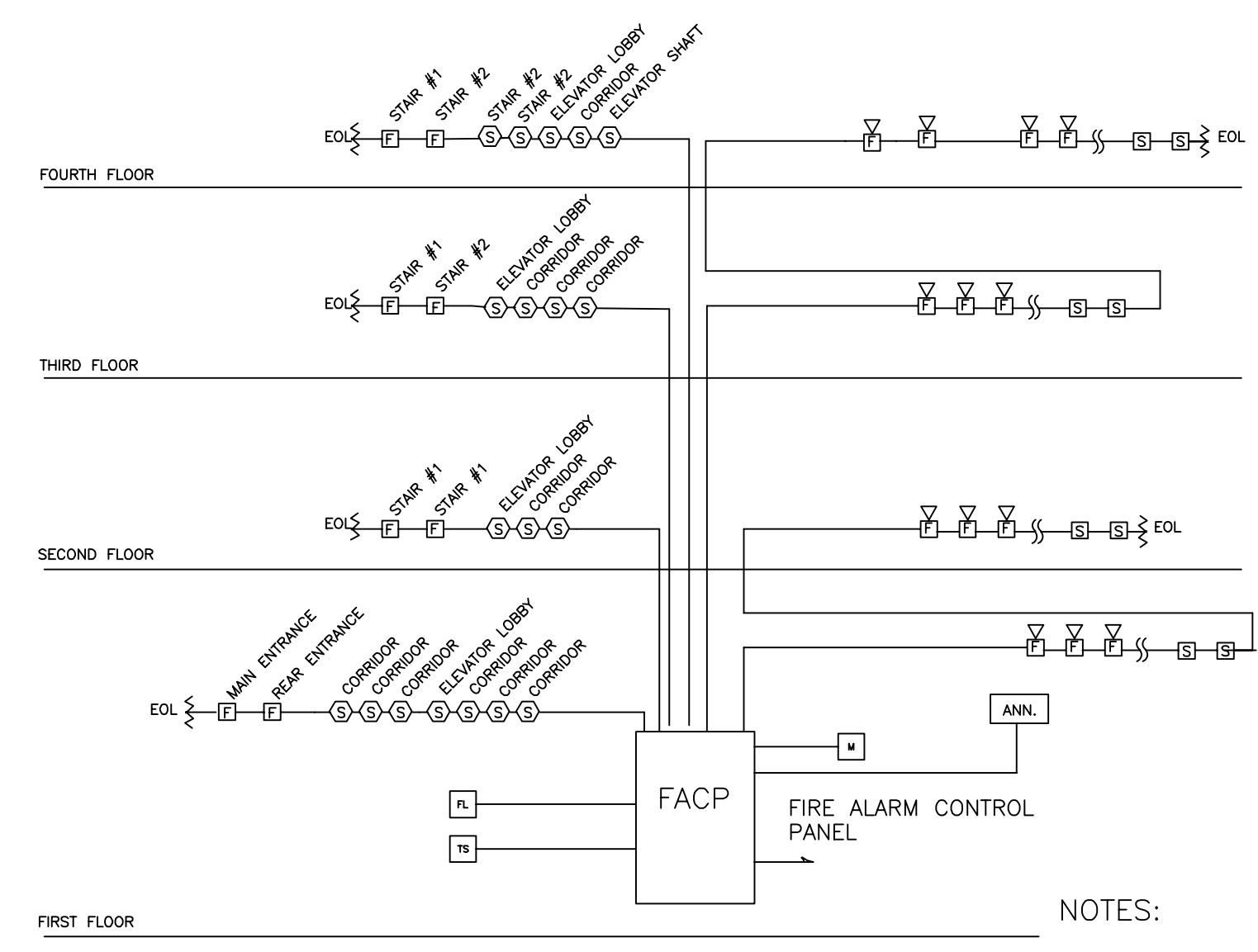
ELEVATOR RECALL AND FIRE HAT WIRING

LIGHTING SCHEDULE				
	MANUFACTURER	CAT#	LAMPS	COMMENTS
A	LITHONIA	AF226DTTAR277	2-26WDTT	PL DOWNLIGHT
B	LITHONIA	LB332277GEB	3-F32T8	WRAP AROUND
C	LITHONIA	2PM3NGB33218LD277G	3-F32T8	2X4 PARABOLIC
C1	LITHONIA	2PM3N2U319LD277GEE	2- 31W T8 U	2X2 PARABOLIC
D	LITHONIA	AV2G332277GEB	3-F32T8	2X4 INDIRECT
E	LITHONIA	AHZ50M7ARCGL277	50W MH	HID DOWNLIGHT
S1	KIM	KN-AR2-90DB	250W MH	HID POLE LIGHT
S2	KIM	KN-AR3-90DB	250W MH	HID POLE LIGHT
	KIM	KN-KRS20A-DB		20' POLE
W	KIM	KN-WD14D3-80DB	175W MH	HID WALL PACK
EXIT	DUAL-LITE	LXJGWE	LED	EXIT LIGHT
EMG. LIGHT	DUAL-LITE	EZ2	5.4W	EMG. LIGHT

DAY TIMER

LIGHTING SCHEDULE

LOBBY DOOR LOCK CONTROL



FIRE ALARM SYSTEM

NOTES:

BENNETT ENGINEERING
CONSULTING ENGINEERS
BENNETT ROAD, P.O. BOX 251, FREDRICK, MAINE 04750
800-947-8478

B-H Milliken
ELECTRICAL CONTRACTORS
175 ANDERSON STREET
PORTLAND, MAINE 04101
PHONE 879-1877
FAX: 774-1492

50 SEWALL ST.
MEDICAL OFFICE BUILDING
50 SEWALL ST.
PORTLAND, MAINE

TITLE

DETAILS

SCALE: NONE

DATE: 5-19-05

SHEET

E500

PERMIT SET
DATE: 5-19-05

VOLTAGE: 480/277V

PANEL: HP

	VA	AMPS	AMPS	VA	
1					2
3					4
5					6
7					8
9					10
11					12
13					14
15					16
17					18
19					20
21					22
23					24
25					26
27					28
29					30
31					32
33					34
35					36
37					38
39					40
41					42

TOTAL VA: AMP: 200 PHASE: 3 WIRE: 4 BKR: 200 MLO:

VOLTAGE: 208/120

PANEL: PTP1

	VA	AMPS	AMPS	VA	
1					2
3					4
5					6
7					8
9					10
11					12
13					14
15					16
17					18
19					20
21					22
23					24
25					26
27					28
29					30
31					32
33					34
35					36
37					38
39					40
41					42

TOTAL VA: AMP: 200 PHASE: 3 WIRE: 4 BKR: 200 MLO:

VOLTAGE: 208/120

PANEL: PTP2

	VA	AMPS	AMPS	VA	
1					2
3					4
5					6
7					8
9					10
11					12
13					14
15					16
17					18
19					20
21					22
23					24
25					26
27					28
29					30
31					32
33					34
35					36
37					38
39					40
41					42

TOTAL VA: AMP: 200 PHASE: 3 WIRE: 4 BKR: 200 MLO:

VOLTAGE: 208/120V

PANEL: HPP

	VA	AMPS	AMPS	VA	
1					2
3					4
5					6
7					8
9					10
11					12
13					14
15					16
17					18
19					20
21					22
23					24
25					26
27					28
29					30
31					32
33					34
35					36
37					38
39					40
41					42

TOTAL VA: AMP: 100 PHASE: 3 WIRE: 4 BKR: 100A MLO:

VOLTAGE: 208/120

PANEL: PTP1A

	VA	AMPS	AMPS	VA	
1					2
3					4
5					6
7					8
9					10
11					12
13					14
15					16
17					18
19					20
21					22
23					24
25					26
27					28
29					30
31					32
33					34
35					36
37					38
39					40
41					42

TOTAL VA: AMP: 200 PHASE: 3 WIRE: 4 BKR: MLO: X

VOLTAGE: 208/120

PANEL: PTP2A

	VA	AMPS	AMPS	VA	
1					2
3					4
5					6
7					8
9					10
11					12
13					14
15					16
17					18
19					20
21					22
23					24
25					26
27					28
29					30
31					32
33					34
35					36
37					38
39					40
41					42

TOTAL VA: AMP: 200 PHASE: 3 WIRE: 4 BKR: MLO: X

VOLTAGE: 480/277V

PANEL: HTP1

	VA	AMPS	AMPS	VA	
1					2
3					4
5					6
7					8
9					10
11					12
13					14
15					16
17					18
19					20
21					22
23					24
25					26
27					28
29					30
31					32
33					34
35					36
37					38
39					40
41					42

TOTAL VA: AMP: 200 PHASE: 3 WIRE: 4 BKR: 200 MLO:

VOLTAGE: 480/277

PANEL: HTP2

	VA	AMPS	AMPS	VA	
1					2
3					4
5					6
7					8
9					10
11					12
13					14
15					16
17					18
19					20
21					22
23					24
25					26
27					28
29					30
31					32
33					34
35					36
37					38
39					40
41					42

TOTAL VA: AMP: 200 PHASE: 3 WIRE: 4 BKR: MLO: X

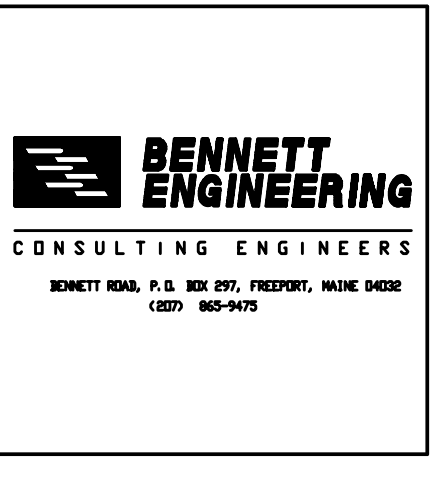
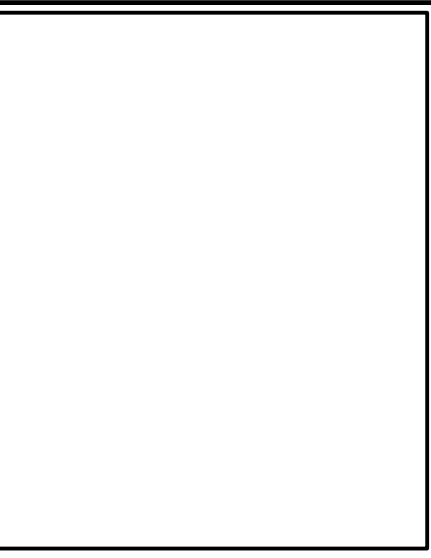
VOLTAGE: 208/120

PANEL: HTP3

	VA	AMPS	AMPS	VA	
1					2
3					4
5					6
7					8
9					10
11					12
13					14
15					16
17					18
19					20
21					22
23					24
25					26
27					28
29					30
31					32
33					34
35					36
37					38
39					40
41					42

TOTAL VA: AMP: 200 PHASE: 3 WIRE: 4 BKR: MLO: X

PERMIT SET
DATE: 5-19-05



THESE ELECTRICAL DRAWINGS ARE THE PROPERTY OF B.H. MILLIKEN ELECTRICAL CONTRACTORS INC. AND FOR THEIR USE ONLY.

B.H. Milliken
ELECTRICAL CONTRACTORS
175 ANDERSON STREET
PORTLAND, MAINE 04101
PHONE 879-1877
FAX: 774-1492

50 SEWALL ST.
MEDICAL OFFICE BUILDING
50 SEWALL ST.
PORTLAND, MAINE

TITLE
SCHEDULES

SCALE: NONE
DATE: 5-19-05

SHEET
E600

VOLTAGE: 208/120

PANEL: PTP3

	VA	AMPS	AMPS	VA	
1					2
3					4
5					6
7					8
9					10
11					12
13					14
15					16
17					18
19					20
21					22
23					24
25					26
27					28
29					30
31					32
33					34
35					36
37					38
39					40
41					42

TOTAL VA: AMP: 200 PHASE: 3 WIRE: 4 BKR: 200 MLO:

VOLTAGE: 208/120

PANEL: PTP4

	VA	AMPS	AMPS	VA	
1					2
3					4
5					6
7					8
9					10
11					12
13					14
15					16
17					18
19					20
21					22
23					24
25					26
27					28
29					30
31					32
33					34
35					36
37					38
39					40
41					42

TOTAL VA: AMP: 200 PHASE: 3 WIRE: 4 BKR: 200 MLO:

VOLTAGE: 208/120V

PANEL: PTP3A

	VA	AMPS	AMPS	VA	
1					2
3					4
5					6
7					8
9					10
11					12
13					14
15					16
17					18
19					20
21					22
23					24
25					26
27					28
29					30
31					32
33					34
35					36
37					38
39					40
41					42

TOTAL VA: AMP: 200 PHASE: 3 WIRE: 4 BKR: 100A MLO:

VOLTAGE: 208/120

PANEL: PTP4A

	VA	AMPS	AMPS	VA	
1					2
3					4
5					6
7					8
9					10
11					12
13					14
15					16
17					18
19					20
21					22
23					24
25					26
27					28
29					30
31					32
33					34
35					36
37					38
39					40
41					42

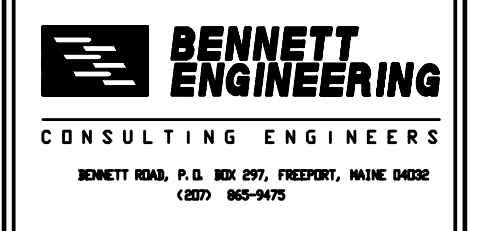
TOTAL VA: AMP: 200 PHASE: 3 WIRE: 4 BKR: MLO: X

VOLTAGE: 480/277V

PANEL: HTP4

	VA	AMPS	AMPS	VA	
1					2
3					4
5					6
7					8
9					10
11					12
13					14
15					16
17					18
19					20
21					22
23					24
25					26
27					28
29					30
31					32
33					34
35					36
37					38
39					40
41					42

TOTAL VA: AMP: 200 PHASE: 3 WIRE: 4 BKR: MLO: X



THESE ELECTRICAL DRAWINGS ARE THE PROPERTY OF B.H. MILLIKEN ELECTRICAL CONTRACTORS INC. AND FOR THEIR USE ONLY.

B.H. Milliken
ELECTRICAL CONTRACTORS
175 ANDERSON STREET
PORTLAND, MAINE 04101
PHONE 879-1877
FAX: 774-1492

50 SEWALL ST.
MEDICAL OFFICE BUILDING
50 SEWALL ST.
PORTLAND, MAINE

TITLE
SCHEDULES
SCALE: NONE
DATE: 5-19-05
SHEET
E601

PERMIT SET
DATE: 5-19-05