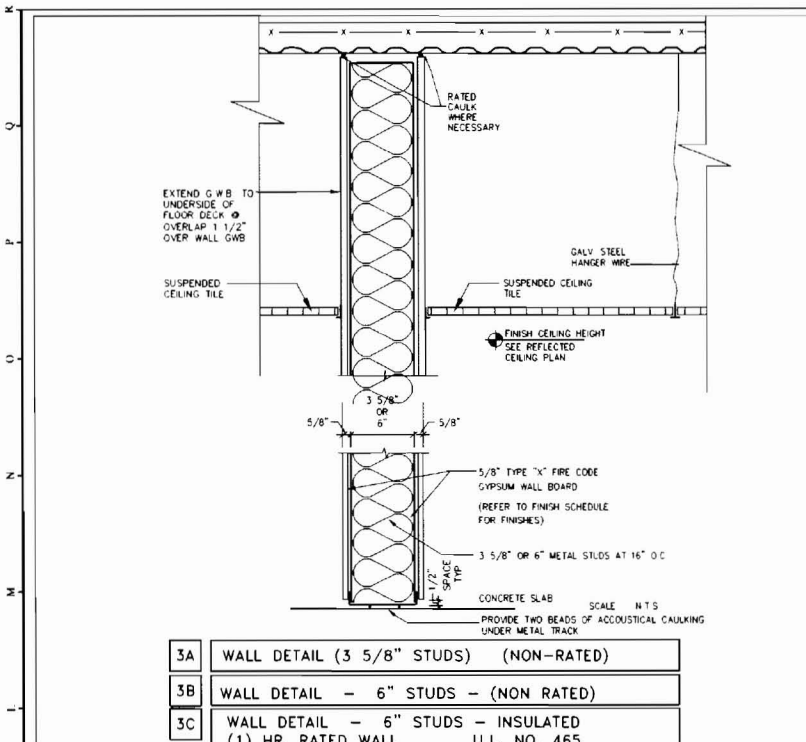
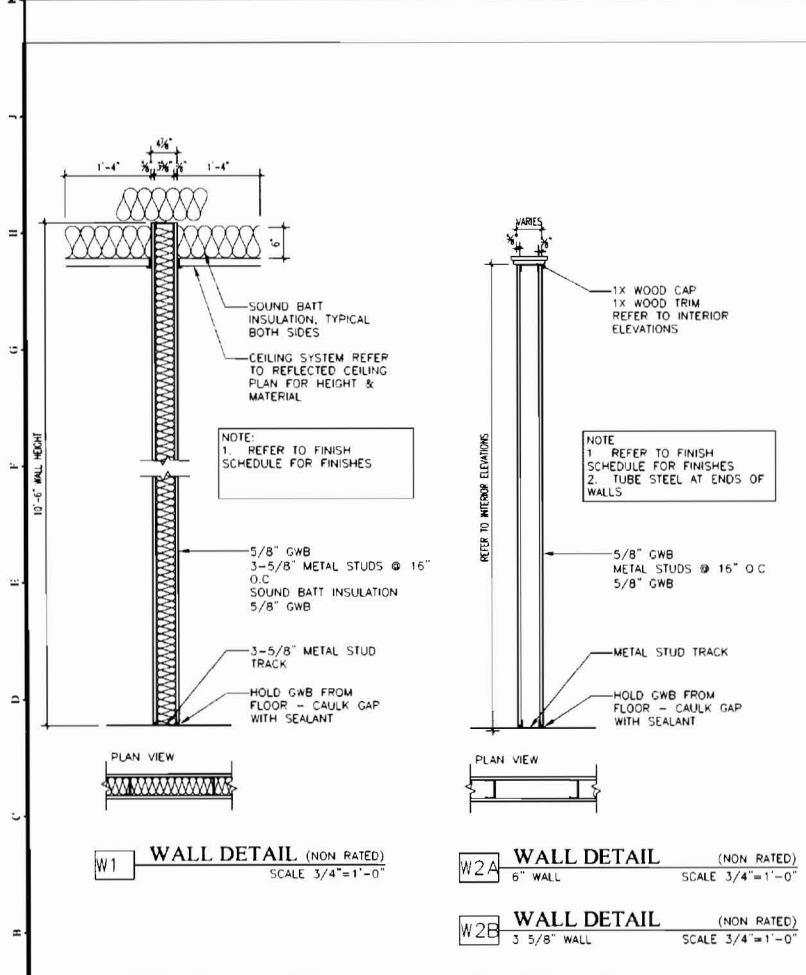


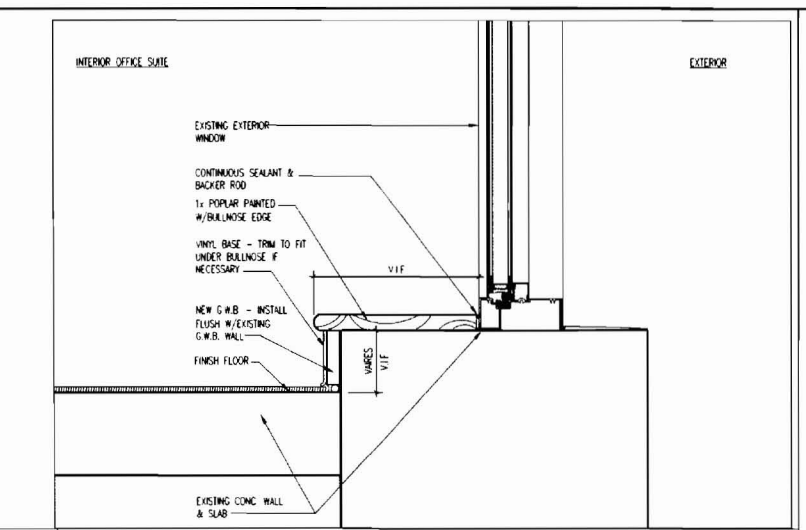
I:21066100706-Stroudwater Associates11_Architecture & Interiors\Working Drawings\A100 - FIRST FLOOR PLAN.dwg - A100_12/5/2006 3:16:06 PM.dgn



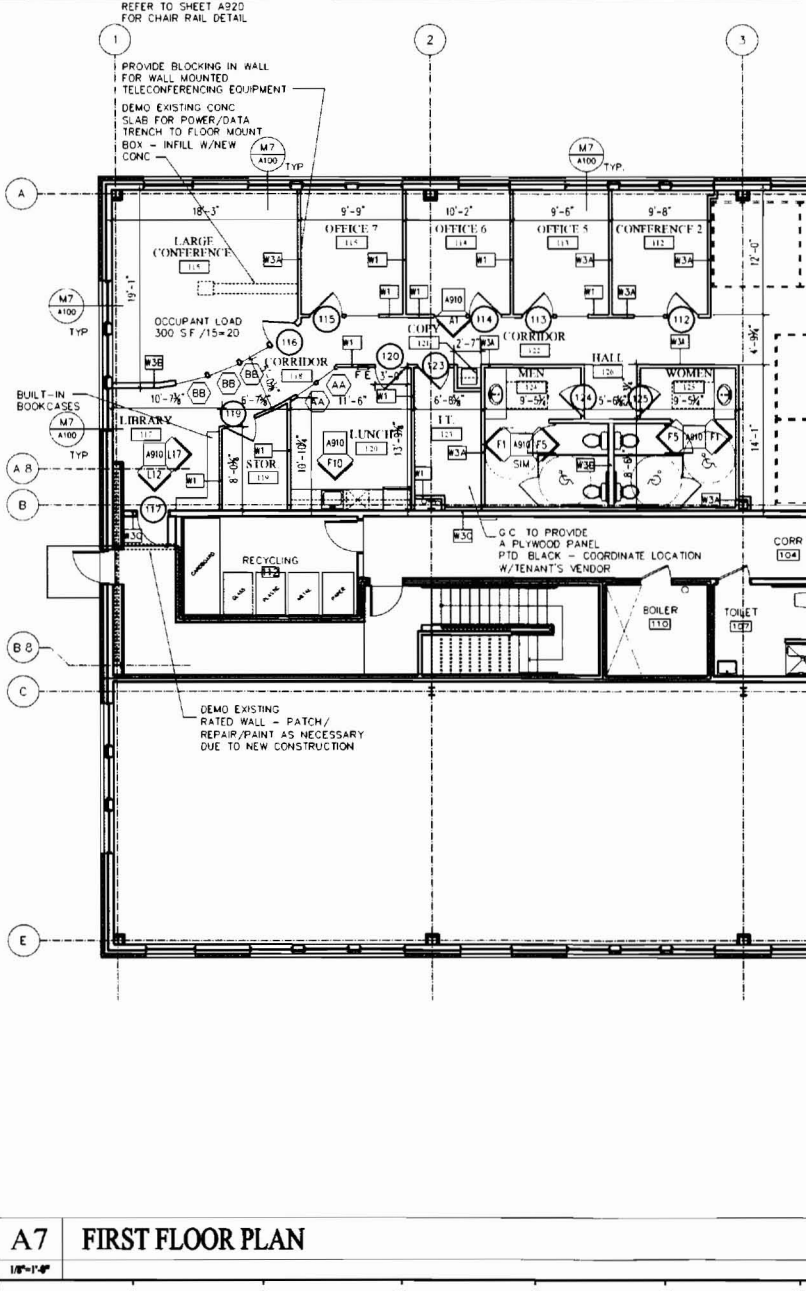
A1 PARTITION TYPE
1/2"=1'-0"



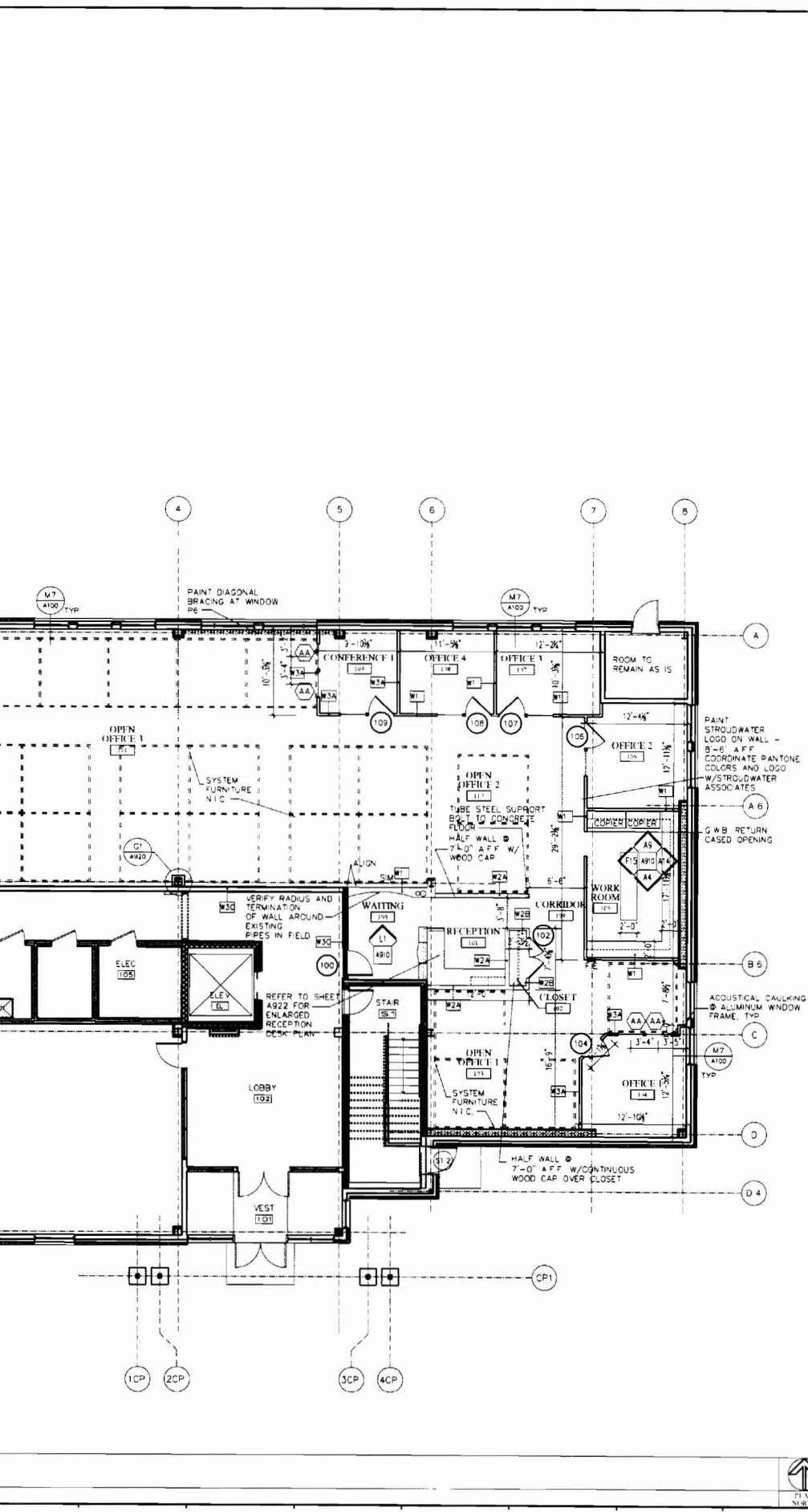
A7 FIRST FLOOR PLAN
1/8"=1'-0"



M7 WINDOW SILL DETAIL
3/4"=1'-0" TYPICAL AT ALL EXTERIOR WINDOWS



A100 PARTITION TYPES
3/4"=1'-0"



A100 PARTITION TYPES
3/4"=1'-0"

REGISTERED ARCHITECT
STANLEY W. GAWRON
No. 1145
STATE OF MAINE

GAWRON TURGEON ARCHITECTS
29 Black Point Road
Scarborough, ME 04074
www.gawronturgeon.com
Tel 207-881-6307
Fax 207-881-0361

50 SEWALL STREET
PORTLAND, MAINE

| REVISIONS | |
|-----------|-------------------------|
| 12/2/06 | ISSUED FOR CONSTRUCTION |
| 12/1/06 | REVISED PER COMMENTS |
| 12/1/06 | REVISED PER COMMENTS |
| 12/1/06 | REVISED PER COMMENTS |

| | |
|----------------|----------|
| DATE: | 12-1-06 |
| PROJECT: | 12-1-06 |
| DRAWN BY: | DLP |
| CHECKED BY: | MET/SWG |
| DRAWING SCALE: | AS NOTED |

SHEET TITLE
FIRST FLOOR PLAN PARTITION TYPES

A100

ISSUED FOR CONSTRUCTION 12-1-06



**GAWRON
TURGEON
ARCHITECTS**
29 Black Point Road
Scarborough, ME 04074
www.gawronturgeon.com
Tel 207 883 6407
Fax 207 883 0364

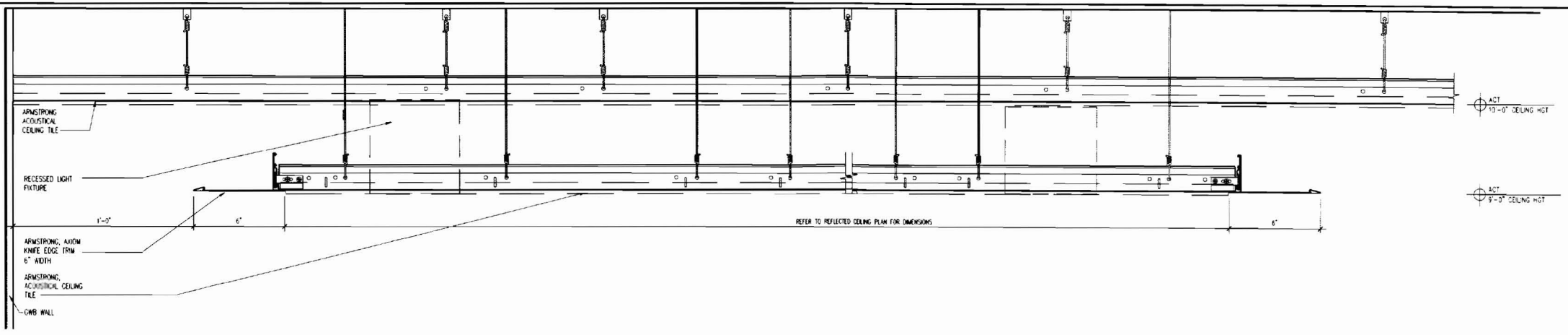
50 SEWALL STREET
PORTLAND, MAINE

| REVISIONS | |
|-----------|------------------|
| 12-1-06 | REVISED PER PLAN |
| 12-1-06 | REVISED PER PLAN |
| 12-1-06 | REVISED PER PLAN |
| 12-1-06 | REVISED PER PLAN |

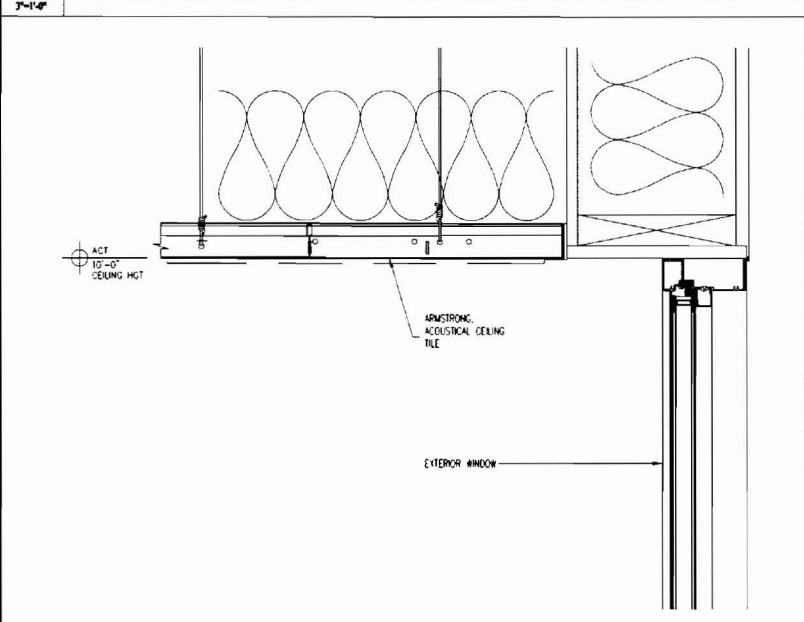
| | |
|-------------|----------|
| DATE | 12-1-06 |
| PROJECT | 100-100 |
| DRAWN BY | DLP |
| CHECKED BY | METS/SG |
| DRAWN SCALE | AS NOTED |

| | |
|--|--|
| SHEET TITLE | |
| REFLECTED CEILING PLAN/ SOFFIT DETAILS/LEGEND | |
| A300 | |

| | |
|----------------------------------|--|
| ISSUED FOR CONSTRUCTION 12-1-06 | |
| © 2006 GAWRON TURGEON ARCHITECTS | |



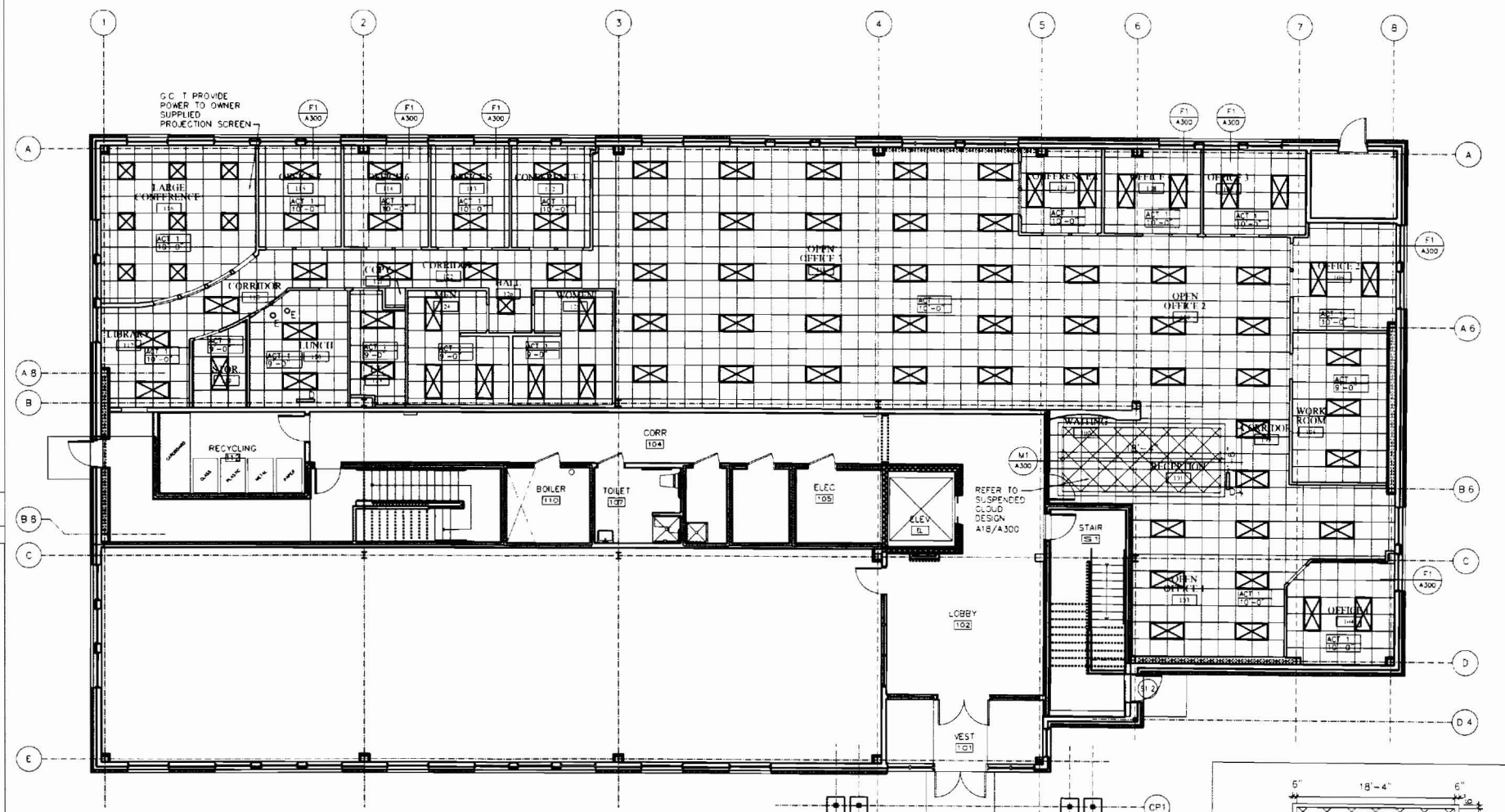
M1 SOFFIT DETAIL



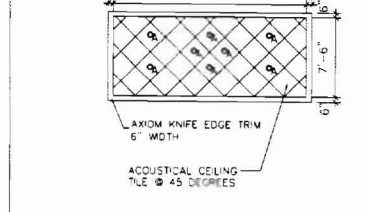
F1 TYPICAL SOFFIT @ PERIMETER WINDOW

| LIGHT FIXTURE LEGEND | | GENERAL NOTES | |
|----------------------|---|---|--|
| | 6" RECESSED FLUORESCENT LIGHT | 1. MECH SUBCONTRACTOR TO VERIFY SIZE AND LOCATION OF ANY MECH REGISTERS WITH ARCHITECT PRIOR TO CONSTRUCTION | |
| | 2X2 PARABOLIC FIXTURE T-8 LAMP | 2. INTERIOR FIXTURE LEGEND FOR DESIGN INTENT ONLY - REFER TO DESIGN/BUILD ELECTRICAL DRAWINGS FOR LIGHT FIXTURE TYPES AND CIRCUITING. ELECTRICAL ENGINEER TO VERIFY PHOTOMETRIC LEVELS MEET CODE IN ALL OF THE ROOMS. COORDINATE DISCREPANCIES WITH ARCHITECT PRIOR TO INSTALLATION | |
| | 2X4 PARABOLIC FIXTURE T-8 LAMP | 3. INDEPENDENTLY SWITCH ALL OFFICES | |
| | LIGHT STRIP | 4. INDEPENDENTLY SWITCH ALL CONFERENCE ROOMS | |
| | DECORATIVE PENDANT: TECH LIGHTING FIXTURE STYLE MELROSE COLOR TAHOE PINE AMBER LOW VOLTAGE HALOGEN FREEJACK SYSTEM CHROME FINISH (SET ONE FIXTURE AT 6'-7" A.F.F. TO BOTTOM OF PENDANT SET THE OTHER FIXTURE 6'-0" A.F.F. TO BOTTOM OF PENDANT. BOTH PENDANTS SHOULD BE SEEN THROUGH LOUNGE TRANSOM WINDOWS) | 5. PROVIDE POWER TO OWNER SUPPLIED SYSTEMS FURNITURE. POWER SHALL BE PROVIDED THROUGH WALLS, COLUMNS OR UNDER SLAB | |
| | | 6. INDEPENDENTLY SWITCH WORK ROOM 105, IT ROOM 123, LUNCH 120 & STORAGE 119 | |
| | | 7. INDEPENDENTLY SWITCH RECESSED CANS AT RECEPTION/WAITING AREA | |
| | | 8. INDEPENDENTLY SWITCH DECORATIVE PENDANTS IN LUNCH 120 | |
| | | 9. DOUBLE SWITCH ALL PARABOLIC LIGHTING IN THE OPEN OFFICE PLAN. | |

A1 LEGEND



A7 REFLECTED CEILING PLAN



A18 CLOUD @ WAITING 100

I:2006 100706-Stroudwater Associates 1 Architecture & Interiors Working Drawings A300 - RCP.dwg, A300, 12/2/2006 3:14:14 PM, dplp

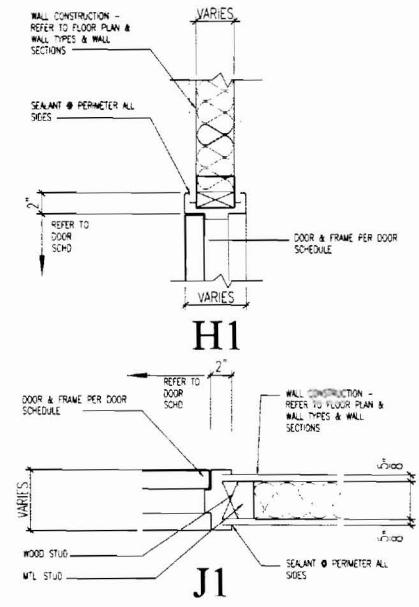
1:2006.110706-Stroudwater Associates, Architecture & Interiors Working Drawings A100 - FIRST FLOOR PLAN.dwg, A800, 12/5/2006 3:15:07 PM.dwg

K
O
P
C
N
M
L
I
K
J
I
H
G
F
E
D
C
B
A

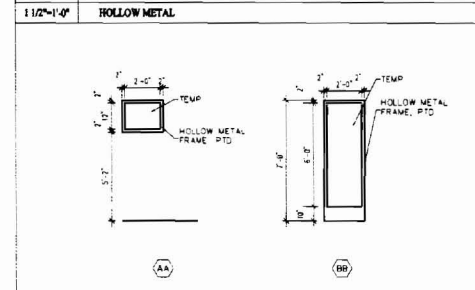
| DOOR SCHEDULE | | | | | | | | | | DOOR SCHEDULE ABBREVIATIONS | | | | | | | | | |
|---------------|------|-------------------|--------|----------------------|-----------------------|-----|--|--------|-----|-----------------------------|--------------|--------|-----------|--------|----|-----|--|--|--|
| NO | TYPE | SIZE | THK | HWR/SET | FINISH | MAT | REMARKS | FRAMES | | | | RATING | THRESHOLD | | NO | | | | |
| | | | | | | | | TYPE | MAT | DETAILS/AB00 | DETAILS/AB04 | | SILL | HEIGHT | | | | | |
| 100 | ETR | | | DESIGN BUILD BY G.C. | | | CARD SWIPE ACCESS - COORDINATE W/BUILDING SYSTEM | ETR | ETR | ETR | ETR | | | | | 100 | | | |
| 101 | | NOT USED | | | | | | | | | | | | | | 101 | | | |
| 102 | A | (2) 2'-8" X 7'-0" | 1 3/4" | DESIGN BUILD BY G.C. | FACTORY NATURAL BIRCH | WD | | 2 SIM | HM | H1 | J1 | | | | | 102 | | | |
| 103 | | NOT USED | | | | | | | | | | | | | | 103 | | | |
| 104 | B | 3'-0" X 7'-0" | 1 3/4" | DESIGN BUILD BY G.C. | FACTORY NATURAL BIRCH | WD | LOCKING MECHANISM | 2 | HM | H1 | J1 | | | | | 104 | | | |
| 105 | | NOT USED | | | | | | | | | | | | | | 105 | | | |
| 106 | B | 3'-0" X 7'-0" | 1 3/4" | DESIGN BUILD BY G.C. | FACTORY NATURAL BIRCH | WD | | 1 | HM | H1 | J1 | | | | | 106 | | | |
| 107 | B | 3'-0" X 7'-0" | 1 3/4" | DESIGN BUILD BY G.C. | FACTORY NATURAL BIRCH | WD | | 1 | HM | H1 | J1 | | | | | 107 | | | |
| 108 | R | 3'-0" X 7'-0" | 1 3/4" | DESIGN BUILD BY G.C. | FACTORY NATURAL BIRCH | WD | | 1 | HM | H1 | J1 | | | | | 108 | | | |
| 109 | B | 3'-0" X 7'-0" | 1 3/4" | DESIGN BUILD BY G.C. | FACTORY NATURAL BIRCH | WD | | 1 | HM | H1 | J1 | | | | | 109 | | | |
| 110 | | NOT USED | | | | | | | | | | | | | | 110 | | | |
| 111 | | NOT USED | | | | | | | | | | | | | | 111 | | | |
| 112 | B | 3'-0" X 7'-0" | 1 3/4" | DESIGN BUILD BY G.C. | FACTORY NATURAL BIRCH | WD | | 1 | HM | H1 | J1 | | | | | 112 | | | |
| 113 | B | 3'-0" X 7'-0" | 1 3/4" | DESIGN BUILD BY G.C. | FACTORY NATURAL BIRCH | WD | | 1 | HM | H1 | J1 | | | | | 113 | | | |
| 114 | B | 3'-0" X 7'-0" | 1 3/4" | DESIGN BUILD BY G.C. | FACTORY NATURAL BIRCH | WD | | 1 | HM | H1 | J1 | | | | | 114 | | | |
| 115 | B | 3'-0" X 7'-0" | 1 3/4" | DESIGN BUILD BY G.C. | FACTORY NATURAL BIRCH | WD | | 1 | HM | H1 | J1 | | | | | 115 | | | |
| 116 | B | 3'-0" X 7'-0" | 1 3/4" | DESIGN BUILD BY G.C. | FACTORY NATURAL BIRCH | WD | | 2 | HM | H1 | J1 | | | | | 116 | | | |
| 117 | A | 3'-0" X 7'-0" | 1 3/4" | DESIGN BUILD BY G.C. | FACTORY NATURAL BIRCH | WD | LOCKING MECHANISM (1) HR RATED DOOR | 2 | HM | H1 | J1 | | 1 HR | | | 117 | | | |
| 118 | | NOT USED | | | | | | | | | | | | | | 118 | | | |
| 119 | A | 3'-0" X 7'-0" | 1 3/4" | DESIGN BUILD BY G.C. | FACTORY NATURAL BIRCH | WD | | 2 | HM | H1 | J1 | | | | | 119 | | | |
| 120 | B | 3'-0" X 7'-0" | 1 3/4" | DESIGN BUILD BY G.C. | FACTORY NATURAL BIRCH | WD | CLOSER | 2 | HM | H1 | J1 | | | | | 120 | | | |
| 121 | | NOT USED | | | | | | | | | | | | | | 121 | | | |
| 122 | | NOT USED | | | | | | 4 | | | | | | | | 122 | | | |
| 123 | A | 3'-0" X 7'-0" | 1 3/4" | DESIGN BUILD BY G.C. | FACTORY NATURAL BIRCH | WD | LOCKING MECHANISM | 2 | HM | H1 | J1 | | | | | 123 | | | |
| 124 | A | 3'-0" X 7'-0" | 1 3/4" | DESIGN BUILD BY G.C. | FACTORY NATURAL BIRCH | WD | CLOSER | 2 | HM | H1 | J1 | | | | | 124 | | | |
| 125 | A | 3'-0" X 7'-0" | 1 3/4" | DESIGN BUILD BY G.C. | FACTORY NATURAL BIRCH | WD | CLOSER | 2 | HM | H1 | J1 | | | | | 125 | | | |

1. ALL HARDWARE TO BE CHROME FINISH - W/ LEVER TYPE HANDLE
2. HARDWARE SPECIFICATIONS - DESIGN BUILD BY G.C.

A8 DOOR SCHEDULE

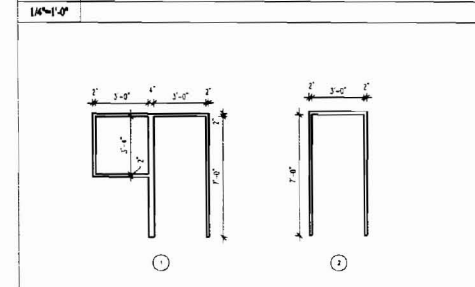


K17 HEAD/JAMB DETAIL



G17 WINDOW TYPES

D17 DOOR TYPES



A17 FRAME TYPES



GAWRON TURGEON ARCHITECTS
29 Black Point Road
Scarborough, ME 04074
www.gawronarchitects.com
Tel: 207 883 6907
Fax: 207 883 0761

50 SEWALL STREET
PORTLAND, MAINE

| REVISIONS | |
|-----------|--------------------------------------|
| DATE | DESCRIPTION |
| 11/17/06 | PRELIMINARY |
| 12/1/06 | NOTED BY ARCHITECT |
| 12/5/06 | BY ENGINEER PER IBC SECTION 105.10.1 |

| | |
|---------------|----------|
| DATE | 12-1-06 |
| PROJECT | 1-0706 |
| DRAWN BY | DLP |
| CHECKED BY | METS/WG |
| DRAWING SCALE | AS NOTED |

SHEET TITLE
DOOR SCHEDULE
DOOR, WINDOW, FRAME
TYPES

A800

© COPYRIGHT 1985-2003
STANLEY W. GAWRON ARCHITECTS
1000 BROAD STREET
PORTLAND, ME 04101
TEL: 207 883 6907
FAX: 207 883 0761

ISSUED FOR CONSTRUCTION 12-1-06

I:\2006\100706-Stroudwater Associates\1. Architecture & Interiors\Working Drawings\A100 - FIRST FLOOR PLAN.dwg, A910, 12/5/2006 3:15:47 PM, dpo



GAWRON TURGEON ARCHITECTS
 29 Black Point Road
 Scarborough, ME 04074
 www.gawronturgen.com
 Tel: 207 885 6307
 Fax: 207 885 0361

50 SEWALL STREET
 PORTLAND, MAINE

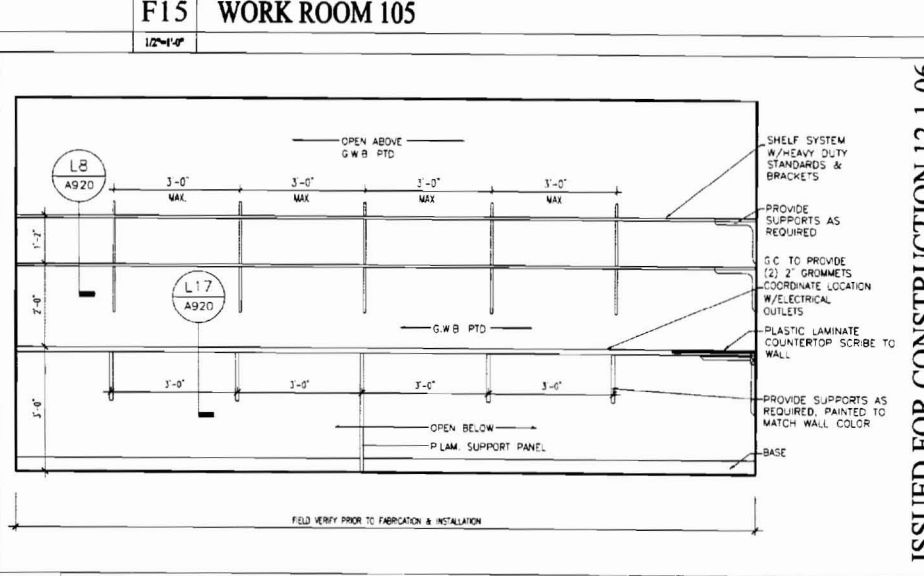
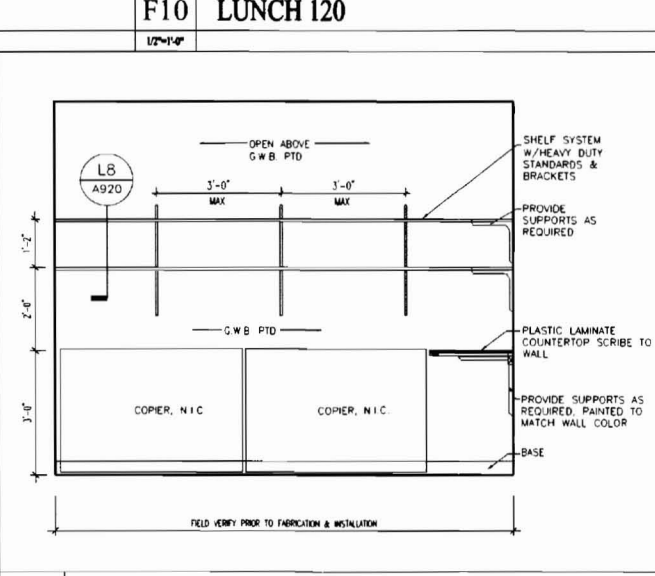
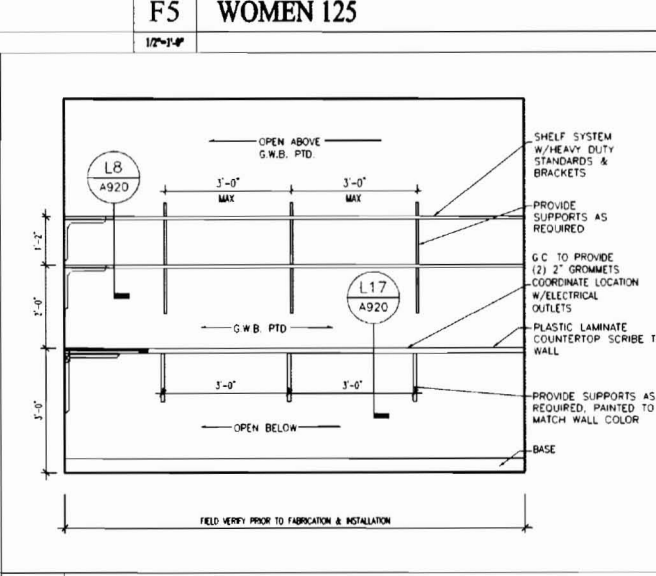
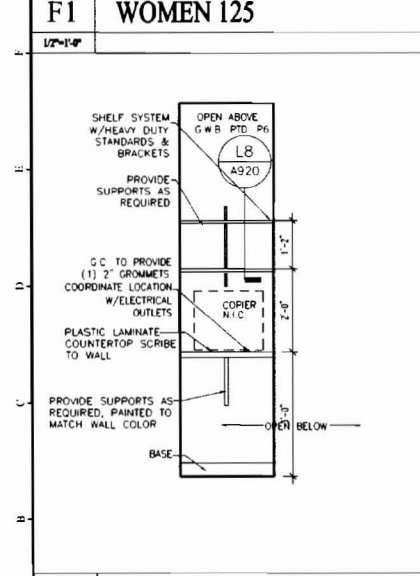
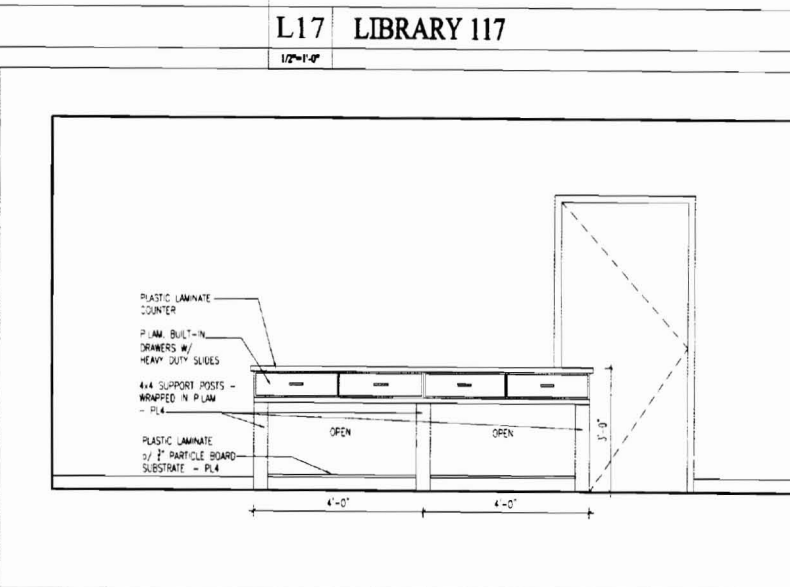
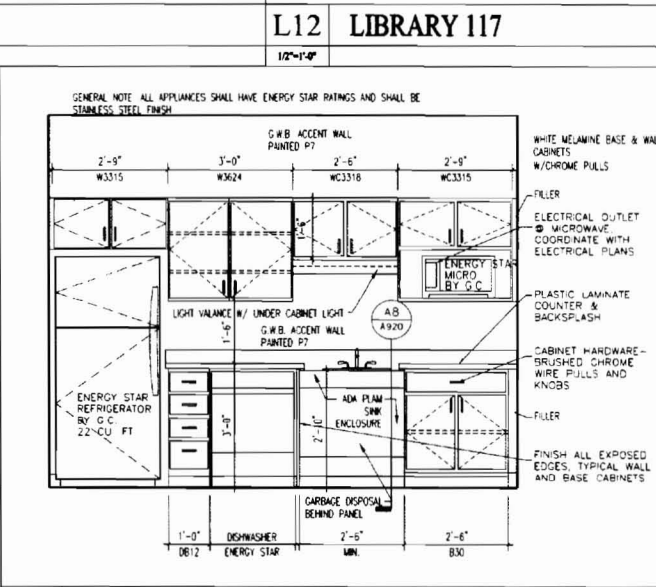
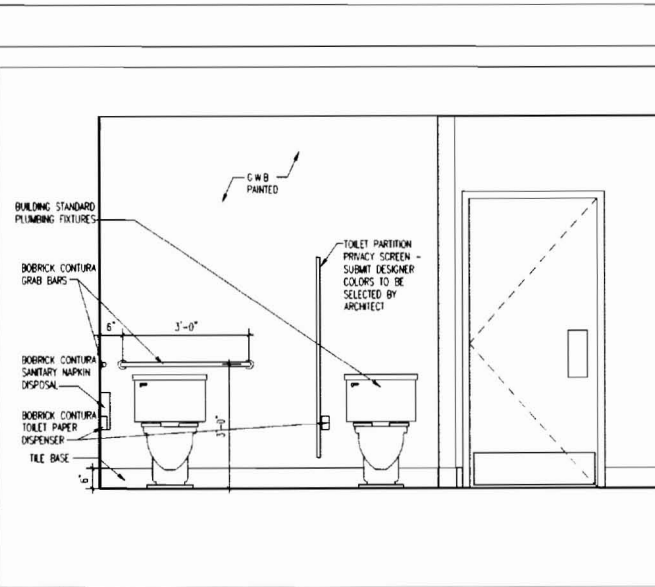
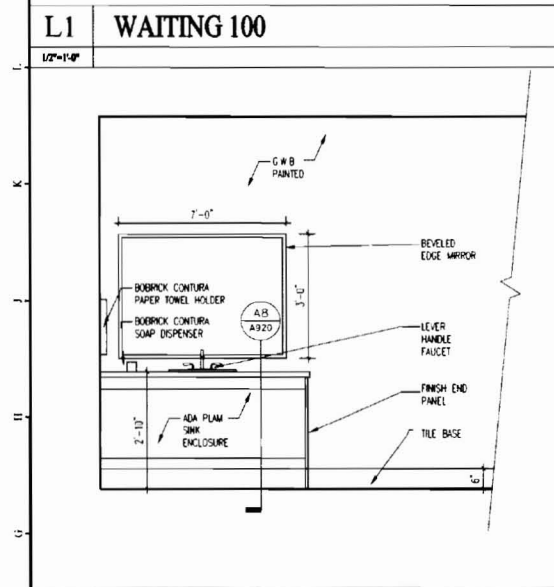
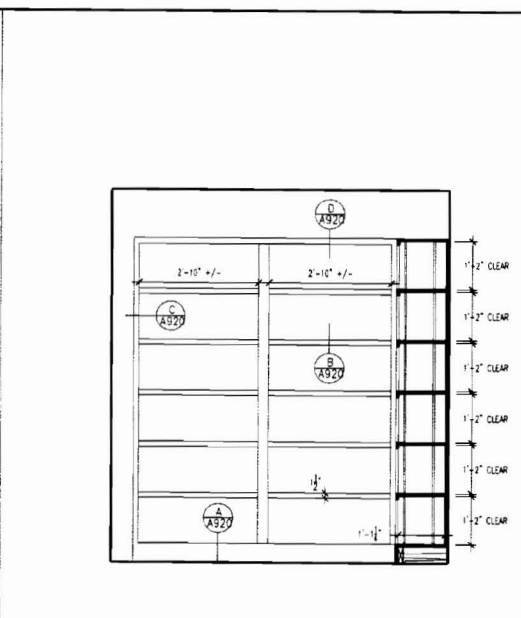
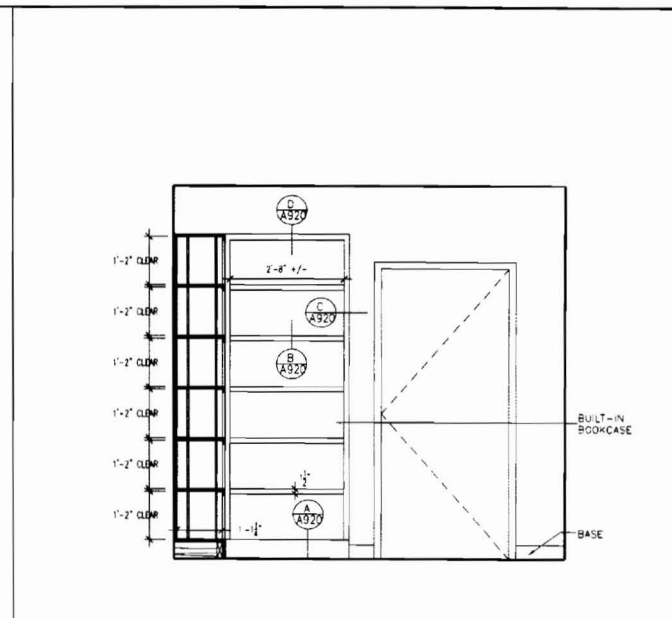
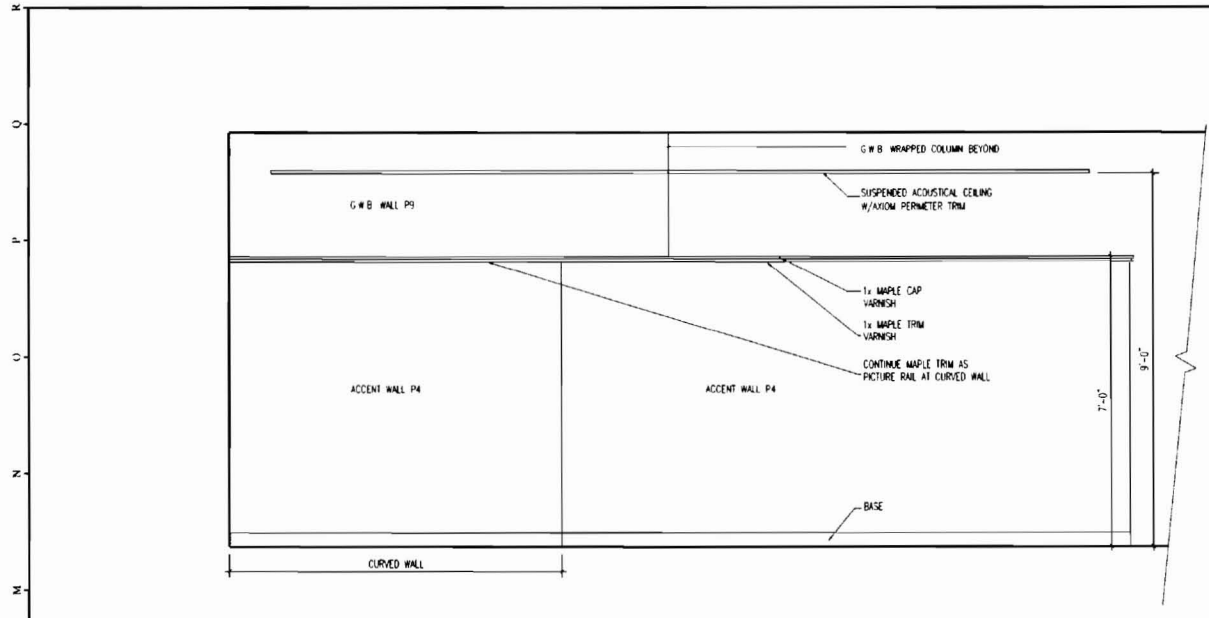
| REVISIONS | |
|-----------|---|
| 1 | DATE: 12/1/06 BY: DLP DESCRIPTION: PROGRESS PRINT |
| 2 | DATE: 12/1/06 BY: DLP DESCRIPTION: SHEET P.L. 1 |
| 3 | DATE: 12/1/06 BY: DLP DESCRIPTION: REVISED SHEET P.L. 1 |

| | |
|----------------|----------|
| DATE: | 12/1/06 |
| PROJECT: | 100706 |
| DRAWN BY: | DLP |
| CHECKED BY: | MET/SWG |
| DRAWING SCALE: | AS NOTED |

SHEET TITLE
INTERIOR ELEVATIONS

A910

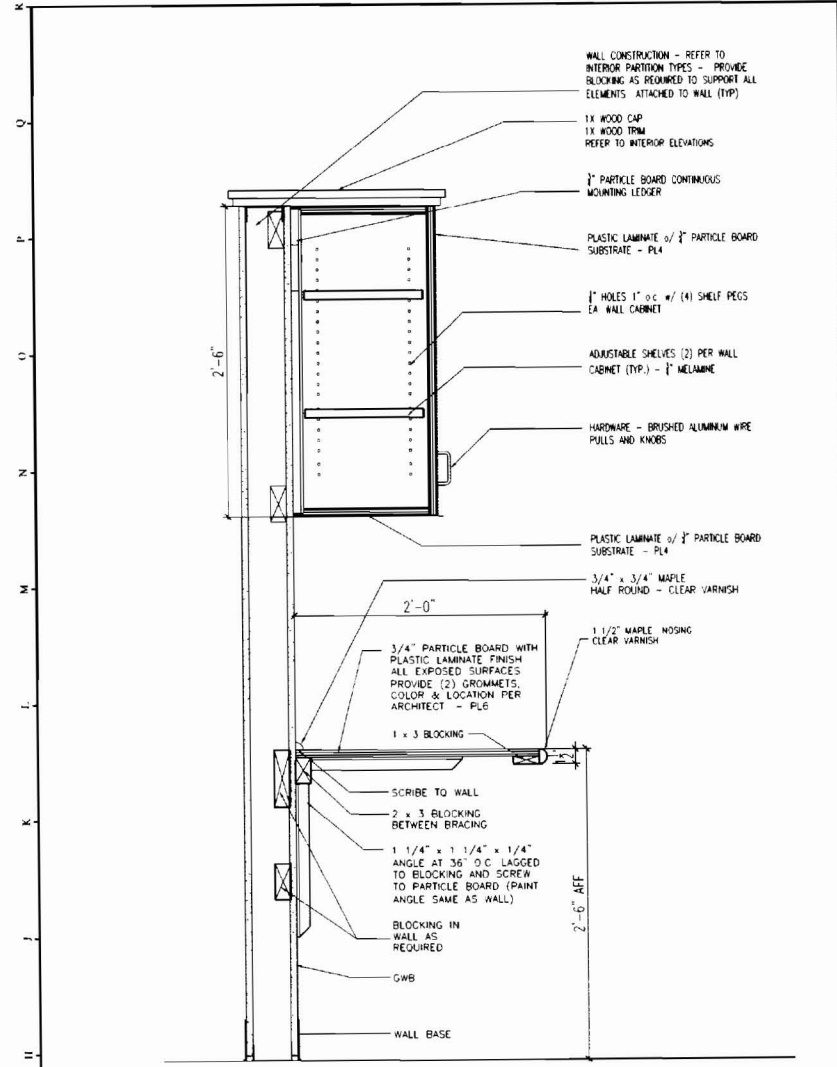
ISSUED FOR CONSTRUCTION 12-1-06



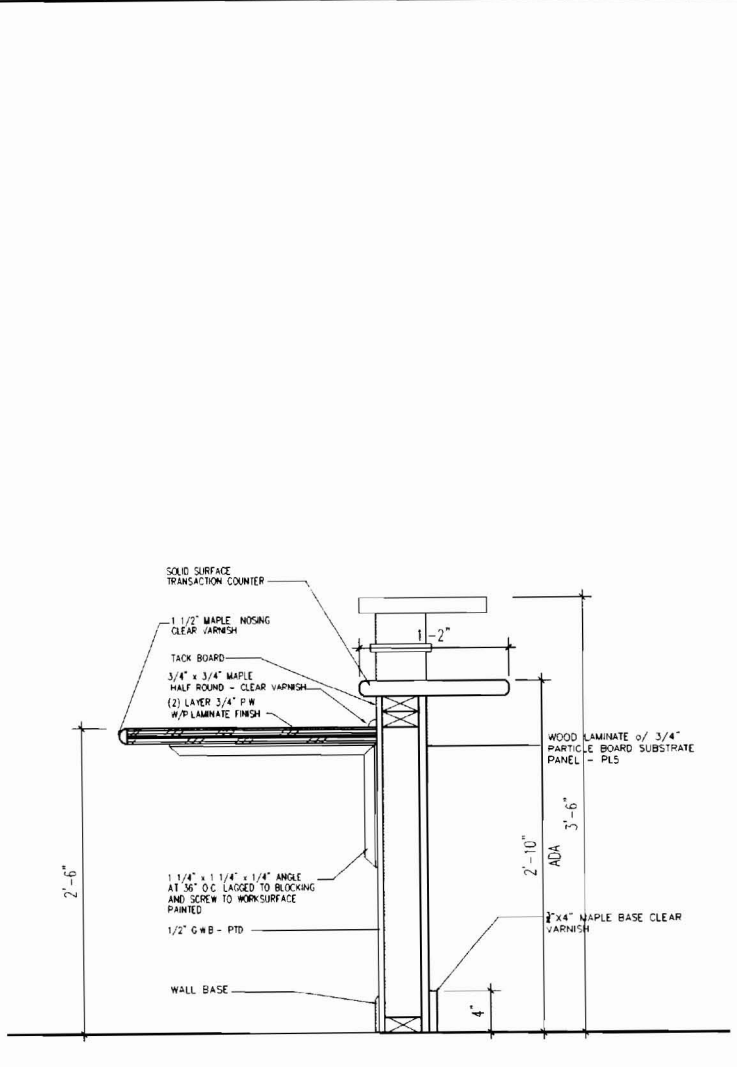
ISSUED FOR CONSTRUCTION 12-1-06



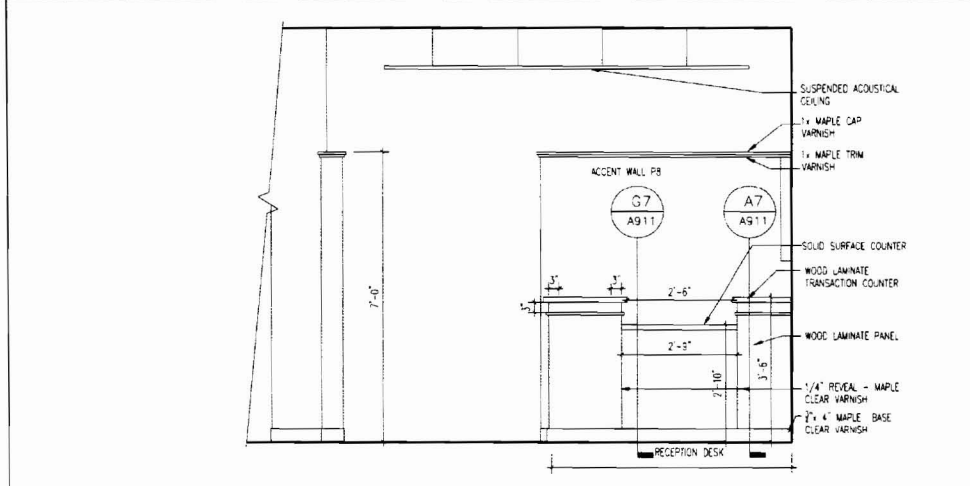
1:2006/100706-Stroudwater Associates I, Architecture & Interiors Working Drawings A100 - FIRST FLOOR PLAN.dwg, A911, 12/5/2006 3:15:27 PM, dpm



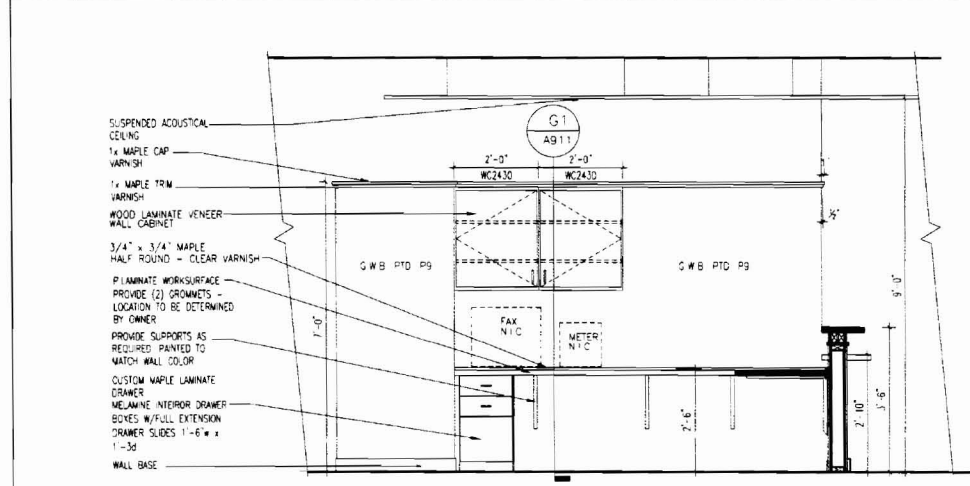
G1 SECTION THRU WALL CABINET/WORKSURFACE
1/2"-1/4"



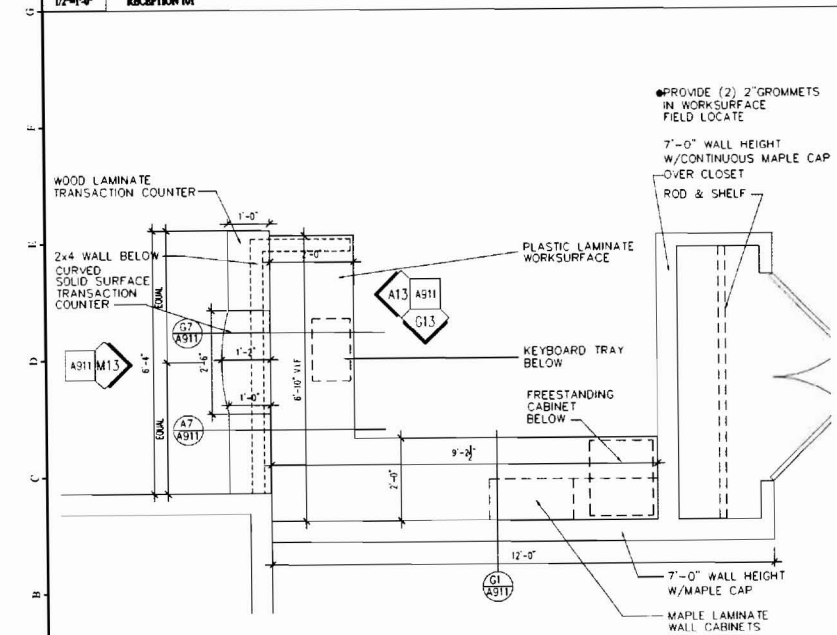
G7 RECEPTION DESK DETAIL
1/2"-1/4"



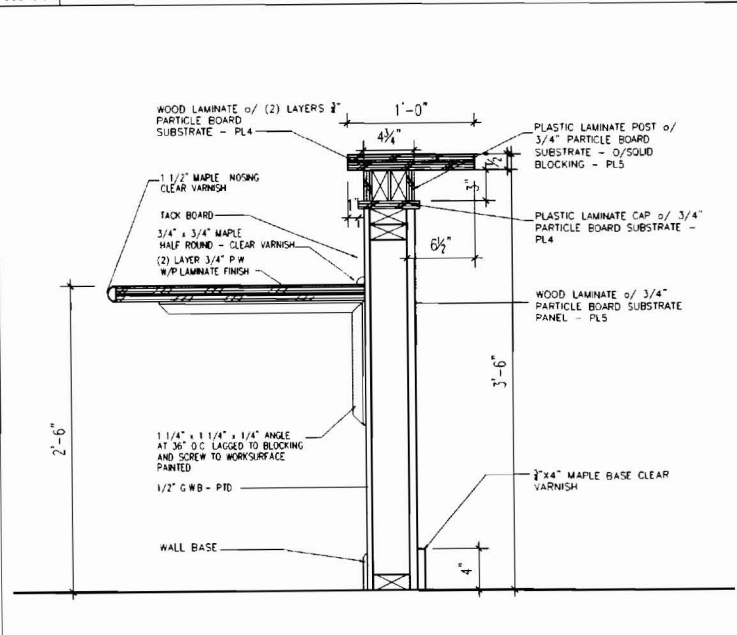
M13 RECEPTION DESK DETAIL
1/2"-1/4"



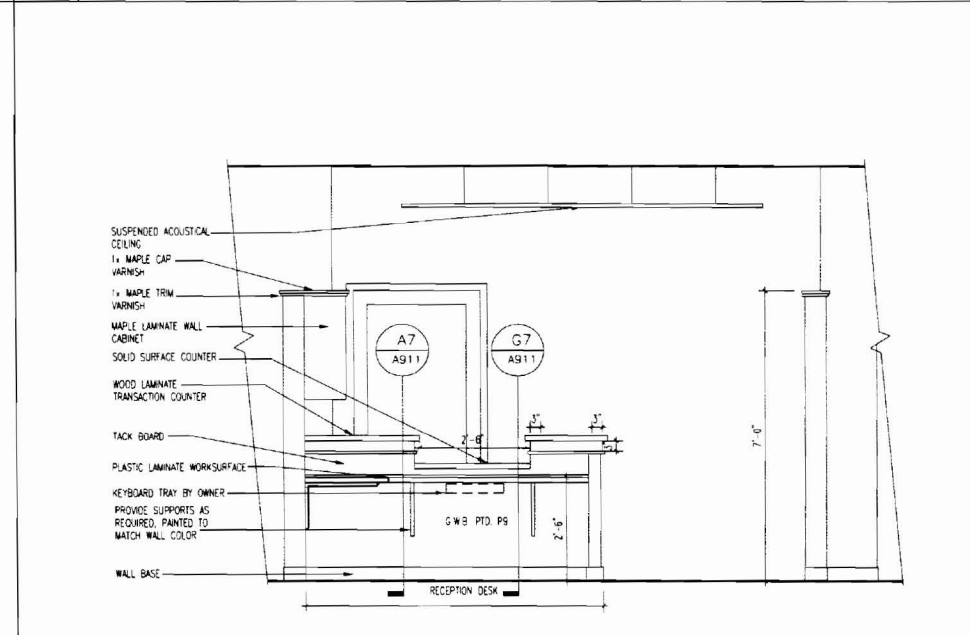
G13 RECEPTION DESK DETAIL
1/2"-1/4"



A1 ENLARGED PLAN @ RECEPTION 101
1/2"-1/4"



A7 RECEPTION DESK DETAIL
1/2"-1/4"



A13 RECEPTION 101
1/2"-1/4"



GAWRON TURGEON ARCHITECTS
29 Black Point Road
Scarborough, ME 04804
www.gawronturgen.com
Tel: 207.883.6307
Fax: 207.883.0361

50 SEWALL STREET
PORTLAND, MAINE

| REVISIONS | |
|-----------|---------------|
| 1 | DATE: 12/5/06 |
| 2 | DATE: 12/5/06 |
| 3 | DATE: 12/5/06 |

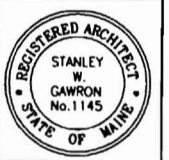
| | |
|----------------|----------|
| DATE: | 12/5/06 |
| PROJECT: | 100706 |
| DRAWN BY: | DLP |
| CHECKED BY: | MET/SWG |
| DRAWING SCALE: | AS NOTED |

SHEET TITLE
INTERIOR ELEVATIONS / DETAILS

A911

ISSUED FOR CONSTRUCTION 12-1-06

1:2006\100706-Stroudwater Associates\1 - Architecture & Interiors\Working Drawings\A100 - FIRST FLOOR PLAN.dwg, A920, 12/5/2006 3:14:48 PM, .dgn



GAWRON TURGEON ARCHITECTS
 29 Black Point Road
 Scarborough, ME 04074
 www.gawronturgeon.com
 Tel: 207-881-6507
 Fax: 207-883-0761

50 SEWALL STREET
 PORTLAND, MAINE

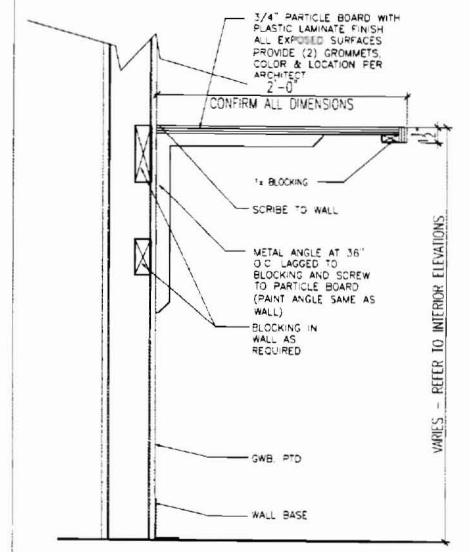
| REVISIONS | |
|-----------|--------------------------------------|
| DATE | DESCRIPTION |
| 12-1-06 | PROVISIONS |
| 12-1-06 | NOTED & INSTALLED |
| 12-1-06 | REMOVED GREEN SECTION IN CLERK STAIR |

| | |
|---------------|----------|
| DATE | 12-1-06 |
| PROJECT | 1-106 |
| DRAWN BY | DLP |
| CHECKED BY | METS/WG |
| DRAWING SCALE | AS NOTED |

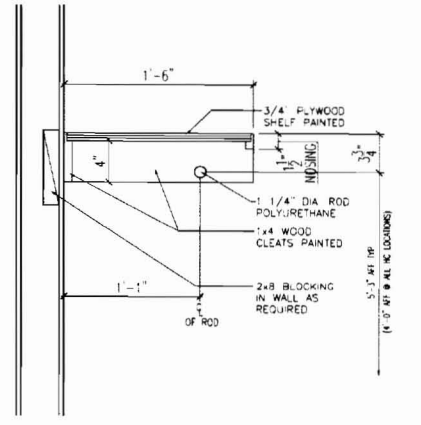
SHEET TITLE
 INTERIOR DETAILS

A920

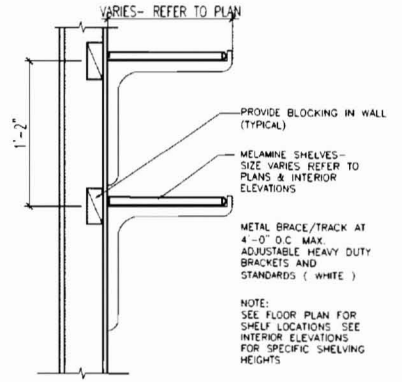
ISSUED FOR CONSTRUCTION 12-1-06



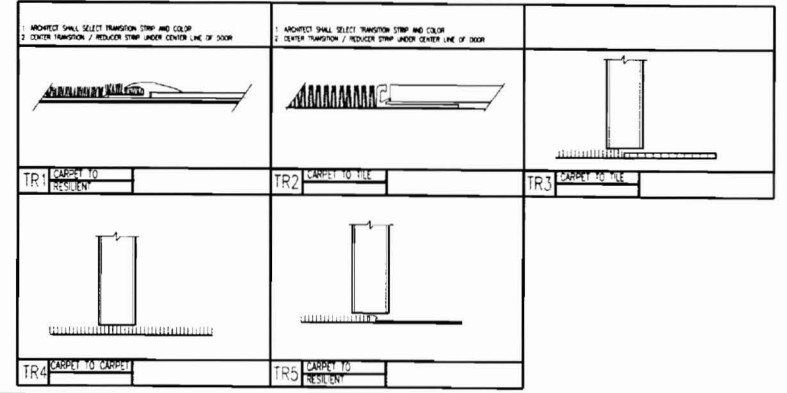
L17 WORKSURFACE DETAIL
 1 1/2\"/>



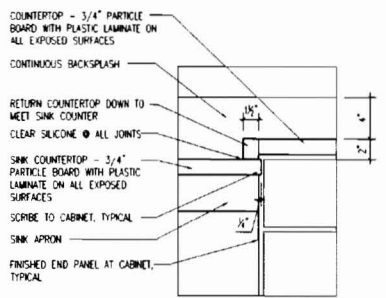
L13 ROD & SHELF DETAIL
 1 1/2\"/>



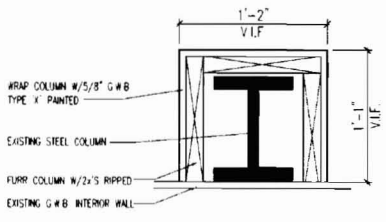
L8 ADJUSTABLE SHELVING DETAIL
 1 1/2\"/>



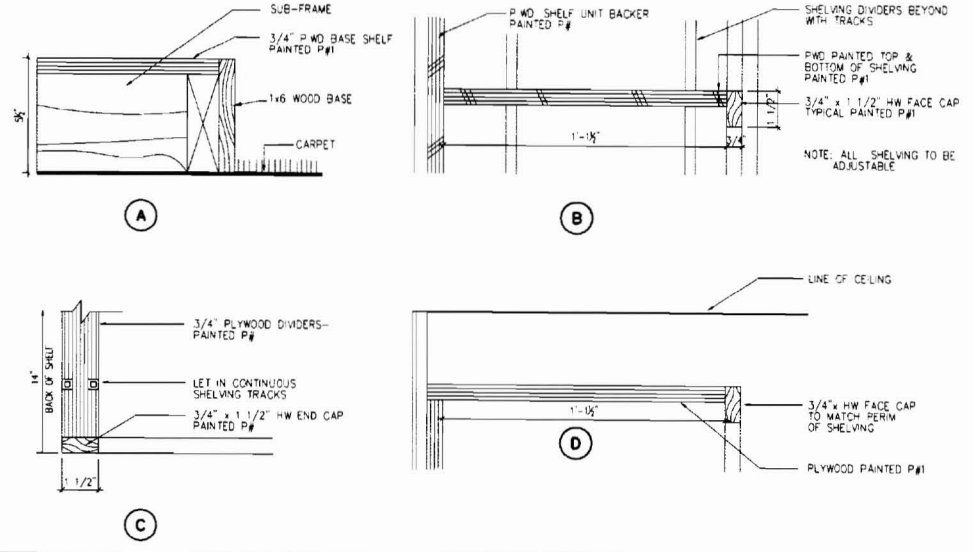
G13 TRANSITION STRIP DETAILS
 3\"/>



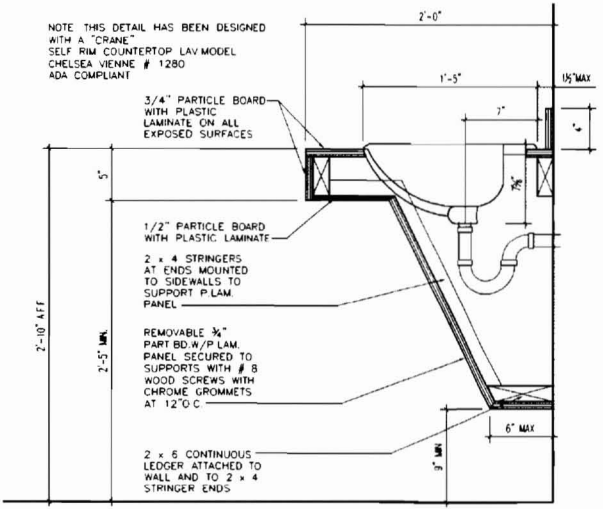
G8 ADA COUNTER DETAIL
 1 1/2\"/>



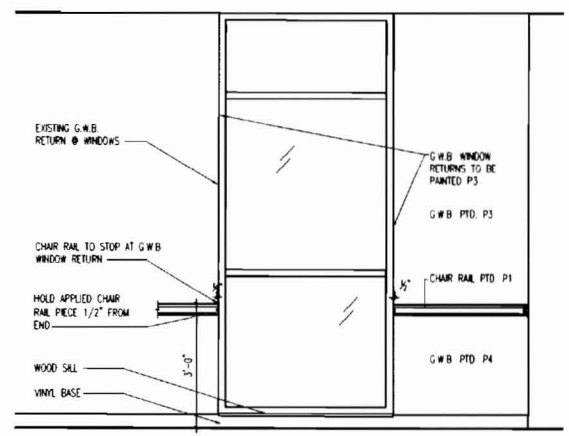
G1 G.W.B. WRAPPED COLUMN DETAIL
 1 1/2\"/>



A13 BUILT-IN BOOKCASE DETAILS
 3\"/>

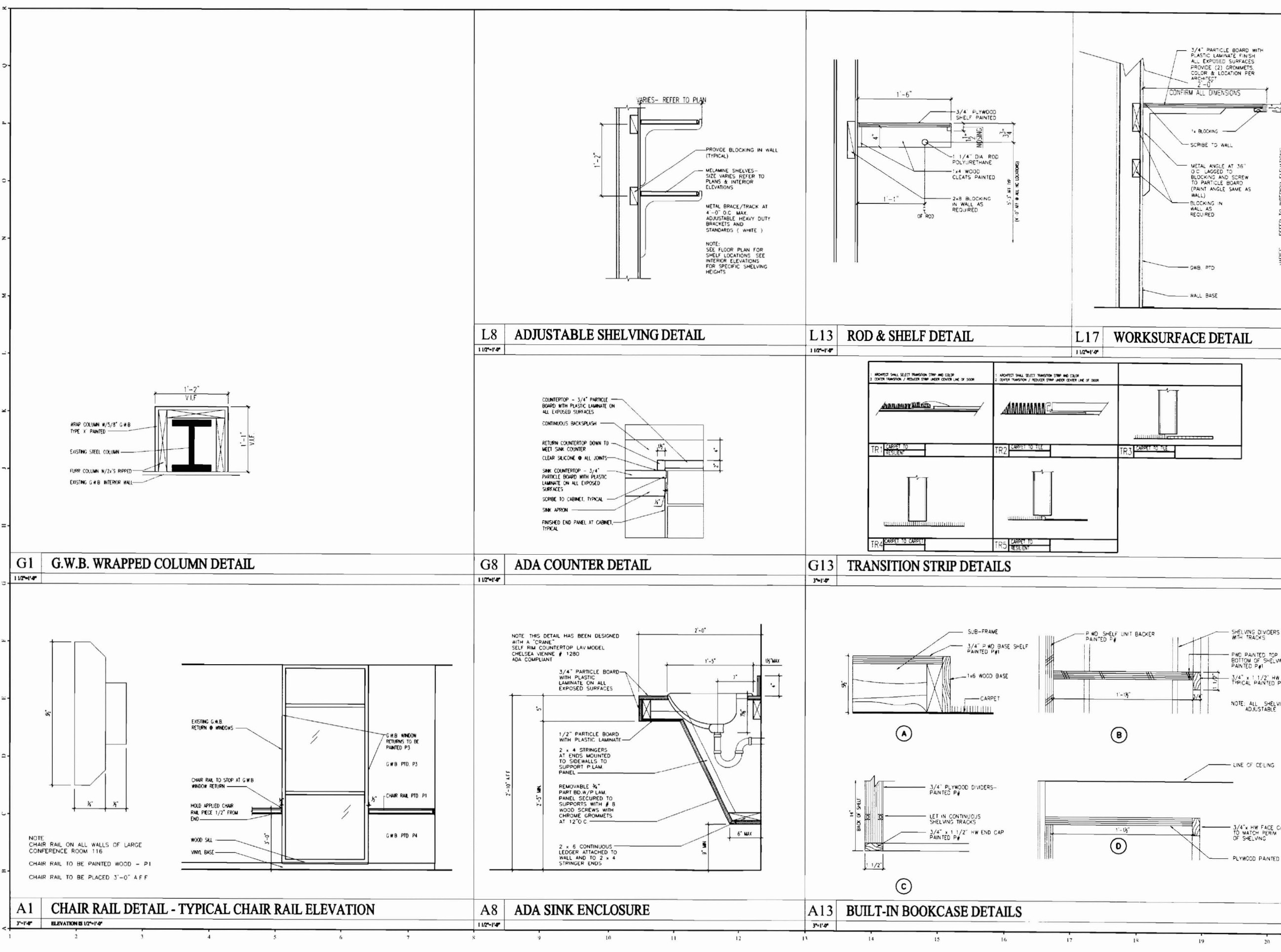


A8 ADA SINK ENCLOSURE
 1 1/2\"/>



A1 CHAIR RAIL DETAIL - TYPICAL CHAIR RAIL ELEVATION
 3\"/>

NOTE:
 CHAIR RAIL ON ALL WALLS OF LARGE CONFERENCE ROOM 116
 CHAIR RAIL TO BE PAINTED WOOD - P1
 CHAIR RAIL TO BE PLACED 3'-0\"/>



INTERIOR FINISH SCHEDULE

100706.00

STROUDWATER ASSOCIATES

| Room # | Room Name | Floor | | Walls | | | | | Trim | | | Countertop/ Worksurface/ Cabinets | | Remarks | |
|--------|------------------|---------|-------|------------|-----------|------------|-----------|-------------|------|-----------------------|---------|---|---------------------|---------|--|
| | | Floor | Grout | North Wall | East Wall | South Wall | West Wall | Wainscoting | Base | Decorative Trim(s) | Door(s) | Door & Window Moulding | Horizontal Plane | | Vertical Plane |
| 100 | WAITING | C2 | N/A | P4 | N/A | P9 | P9 | N/A | VCB1 | N/A | NAT | P1 | N/A | N/A | |
| 101 | RECEPTION | C2 | N/A | P4 | P8 | N/A | N/A | N/A | VCB1 | N/A | NAT | P1 | SS1, PL6, PL4 | PL5 | REFER TO INTERIOR DETAILS FOR LAMINATE DESIGNATIONS - REFER TO INTERIOR ELEVATION FOR PAINT DESIGNATIONS |
| 102 | CLOSET | C2 | N/A | P9 | P9 | P9 | P9 | N/A | VCB1 | N/A | NAT | P1 | N/A | N/A | |
| 103 | OPEN OFFICE 1 | C2 | N/A | P9 | P9 | P9 | P9 | N/A | VCB1 | N/A | NAT | P1 | N/A | N/A | |
| 104 | OFFICE 1 | C1 | N/A | P11 | P11 | P5 | P11 | N/A | VCB1 | N/A | NAT | P1 | N/A | N/A | |
| 105 | WORK ROOM | VCT1, 2 | N/A | P10 | P10 | P10 | P10 | N/A | VCB1 | N/A | NAT | P1 | PL2 | N/A | RANDOM PATTERN 70% VCT1, 30% VCT2 |
| 106 | OFFICE 2 | C1 | N/A | P5 | P5 | P5 | P5 | N/A | VCB1 | N/A | NAT | P1 | N/A | N/A | |
| 107 | OFFICE 3 | C1 | N/A | P5 | P5 | P5 | P5 | N/A | VCB1 | N/A | NAT | P1 | N/A | N/A | |
| 108 | OFFICE 4 | C1 | N/A | P7 | P9 | P9 | P9 | N/A | VCB1 | N/A | NAT | P1 | N/A | N/A | |
| 109 | CONFERENCE 1 | C1 | N/A | P4 | P2 | P2 | P2 | N/A | VCB1 | N/A | NAT | P1 | N/A | N/A | |
| 110 | OPEN OFFICE 2 | C2 | N/A | P9 | P9 | P3 | N/A | N/A | VCB1 | N/A | NAT | P1 | N/A | N/A | |
| 111 | OPEN OFFICE 3 | C2 | N/A | P9 | N/A | P3 | P9 | N/A | VCB1 | N/A | NAT | P1 | N/A | N/A | |
| 112 | CONFERENCE 2 | C1 | N/A | P8 | P9 | P9 | P9 | N/A | VCB1 | N/A | NAT | P1 | N/A | N/A | |
| 113 | OFFICE 5 | C1 | N/A | P4 | P2 | P2 | P2 | N/A | VCB1 | N/A | NAT | P1 | N/A | N/A | |
| 114 | OFFICE 6 | C1 | N/A | P3 | P2 | P2 | P2 | N/A | VCB1 | N/A | NAT | P1 | N/A | N/A | |
| 115 | OFFICE 7 | C1 | N/A | P5 | P5 | P5 | P5 | N/A | VCB1 | N/A | NAT | P1 | N/A | N/A | |
| 116 | LARGE CONFERENCE | C1 | N/A | P3P4 | P3P4 | P3P4 | P3P4 | N/A | VCB1 | P1 | NAT | P1 | N/A | N/A | CHAIR RAIL TO BE PAINTED P1 |
| 117 | LIBRARY | C2 | N/A | P9 | P9 | P9 | P9 | N/A | VCB1 | N/A | NAT | P1 | N/A | N/A | |
| 118 | CORRIDOR | C2 | N/A | P9 | P9 | P9 | P9 | N/A | VCB1 | N/A | NAT | P1 | N/A | N/A | |
| 119 | STOR | VCT1, 2 | N/A | P2 | P2 | P2 | P2 | N/A | VCB1 | N/A | NAT | P1 | N/A | N/A | CHEKERBOARD FLOOR PATTERN |
| 120 | LUNCH | VCT3, 4 | N/A | P9 | P9 | P7 | P9 | N/A | VCB1 | N/A | NAT | P1 | PL1 | N/A | CHEKERBOARD FLOOR PATTERN |
| 121 | COPY | C2 | N/A | P5 | P9 | - | P9 | N/A | VCB1 | N/A | NAT | P1 | PL3 | N/A | |
| 122 | CORRIDOR | C2 | N/A | P9 | N/A | P9 | N/A | N/A | VCB1 | N/A | NAT | P1 | N/A | N/A | |
| 123 | IT | VCT1, 2 | N/A | P10 | P10 | P10 | P10 | N/A | VCB1 | N/A | NAT | P1 | N/A | N/A | CHEKERBOARD FLOOR PATTERN |
| 124 | MEN | T1 | G1 | P10 | P10 | P10 | P10 | N/A | TB1 | N/A | NAT | P1 | PL2 | N/A | |
| 125 | WOMEN | T1 | G1 | P11 | P11 | P11 | P11 | N/A | TB1 | N/A | NAT | P1 | PL2 | N/A | |

ABBREVIATIONS

| | | | |
|-----|-------------------------------|-----|------------------------------------|
| C | CARPET | SYD | SQUARE YARDS |
| G | GROUT | T | TILE |
| N/A | NOT APPLICABLE | TBS | TO BE SELECTED |
| P | PAINT | VCB | VINYL COVE BASE |
| PL | PLASTIC LAMINATE | VCT | VINYL COMPOSITE TILE |
| R | RESILIENT RUBBER/RUBBER TREAD | VNB | VINYL STRAIGHT BASE |
| SC | SEALED CONCRETE | WC | WALL COVERING (VINYL PAPER) |
| SF | SQUARE FEET | WCB | WALL COVERING BORDER (VINYL PAPER) |
| SS | SOLID SURFACE / NATURAL STONE | NAT | NATURAL WOOD |

INTERIOR FINISH LEGEND

100706.00

STROUDWATER ASSOCIATES

| CODE | MATERIAL | MANUFACTURER | PRODUCT, STYLE AND COLOR | FINISH | REMARKS/NOTES |
|------|----------------------|------------------|---|-----------------|---------------|
| C1 | CARPET | JAJ COMMERCIAL | REACTION COLOR 8400 HIT THE BRAKES | FACTORY | |
| C2 | CARPET | JAJ COMMERCIAL | IMPLUSE COLOR 8400 TAKE A TRIP | FACTORY | |
| T1 | TILE | DALTILE | PIETRE VEGGHE ANTIQUE IVORY PV01 2'X2' | SEALED | |
| TB1 | TILE BASE | DALTILE | PIETRE VEGGHE ANTIQUE IVORY PV01 3'X13' | SEALED | |
| G1 | GROUT | HYDROMENT | COLOR TO BE SELECTED | FACTORY | |
| VCB1 | VINYL COVE BASE | JOHNSONITE | 79 BONE WHITE | SEALED | |
| VCT1 | VINYL COMPOSITE TILE | ARMSTRONG | STANDARD EXCELON IMPERIAL TEXTURE: 51880 SOFT COOL GRAY | SEALED | |
| VCT2 | VINYL COMPOSITE TILE | ARMSTRONG | STANDARD EXCELON MULTI COLOR 52518 BAND BLUE | SEALED | |
| VCT3 | VINYL COMPOSITE TILE | ARMSTRONG | STANDARD EXCELON IMPERIAL TEXTURE: 51839 FORTRESS WHITE | SEALED | |
| VCT4 | VINYL COMPOSITE TILE | ARMSTRONG | STANDARD EXCELON IMPERIAL TEXTURE: 51887 CANTALOUPE | SEALED | |
| P1 | PAINT | SHERWIN WILLIAMS | SW 5385 DOVER WHITE | SEMI-GLOSS TRIM | |
| P2 | PAINT | SHERWIN WILLIAMS | SW 8505 VAST SKY | SATIN | |
| P3 | PAINT | SHERWIN WILLIAMS | SW 8507 RESOLUTE BLUE | SATIN | |
| P4 | PAINT | SHERWIN WILLIAMS | SW 8508 SECURE BLUE | SATIN | |
| P5 | PAINT | SHERWIN WILLIAMS | SW 5430 GREAT GREEN | SATIN | |
| P6 | PAINT | SHERWIN WILLIAMS | SW 6437 LEAFHROO | SATIN | |
| P7 | PAINT | SHERWIN WILLIAMS | SW 8353 CHIVALRY COPPER | SATIN | |
| P8 | PAINT | SHERWIN WILLIAMS | SW 8333 FOXEY | SATIN | |
| P9 | PAINT | SHERWIN WILLIAMS | SW 6373 HARVESTER | SATIN | |
| P10 | PAINT | SHERWIN WILLIAMS | SW 8233 SAMOVAR SILVER | SATIN | |
| P11 | PAINT | SHERWIN WILLIAMS | SW5429 BAIZE GREEN | SATIN | |
| PL1 | PLASTIC LAMINATE | WILSONART | 4818-00 GOLD EV | MATTE | |
| PL2 | PLASTIC LAMINATE | NEVAMAR | RK70011 SOFT ROCK | TEXTURED | |
| PL3 | PLASTIC LAMINATE | WILSONART | 4812-00 RADUM EV | MATTE | |
| PL4 | PLASTIC LAMINATE | NEVAMAR | WM-5528E VERMONT MAPLE | TEXTURED | |
| PL5 | PLASTIC LAMINATE | WILSONART | 4762-00 WINDSWEEP | MATTE | |
| PL6 | PLASTIC LAMINATE | PIONTE | AT991-S WHEAT FIBER | SUEDE | |
| SS1 | SOLID SURFACE | ZODIAC | CAPPUCCINO | POLISHED | |

ABBREVIATIONS

| | | | |
|-----|-------------------------------|-----|------------------------------------|
| C | CARPET | T | TILE |
| G | GROUT | TBS | TO BE SELECTED |
| N/A | NOT APPLICABLE | VCB | VINYL COVE BASE |
| P | PAINT | VCT | VINYL COMPOSITE TILE |
| PL | PLASTIC LAMINATE | VNB | VINYL STRAIGHT BASE |
| R | RESILIENT RUBBER/RUBBER TREAD | WC | WALL COVERING (VINYL PAPER) |
| SF | SQUARE FEET | WCB | WALL COVERING BORDER (VINYL PAPER) |
| SS | SOLID SURFACE / NATURAL STONE | WD | WOOD |
| SYD | SQUARE YARDS | | |



**GAWRON
TURGEON
ARCHITECTS**
29 Black Point Road
Scarborough, ME 04107
www.gawronturgeon.com
Tel: 207-883-6307
Fax: 207-883-0761

50 SEWALL STREET
 PORTLAND, MAINE

| REVISIONS | |
|-----------|---------------|
| 1 | DATE: 12-1-06 |
| 2 | DATE: 12-1-06 |
| 3 | DATE: 12-1-06 |

| | |
|----------------|----------|
| DATE: | 12-1-06 |
| PROJECT: | 100706 |
| DRAWN BY: | DLP |
| CHECKED BY: | MET/SWG |
| DRAWING SCALE: | AS NOTED |

SHEET TITLE
**INTERIOR FINISH
SCHEDULE & LEGEND**

A930

© 2006 STROUDWATER ASSOCIATES
12-1-06 100706-INT-FINISH-SCHEDULE-LEGEND.dwg

ISSUED FOR CONSTRUCTION 12-1-06

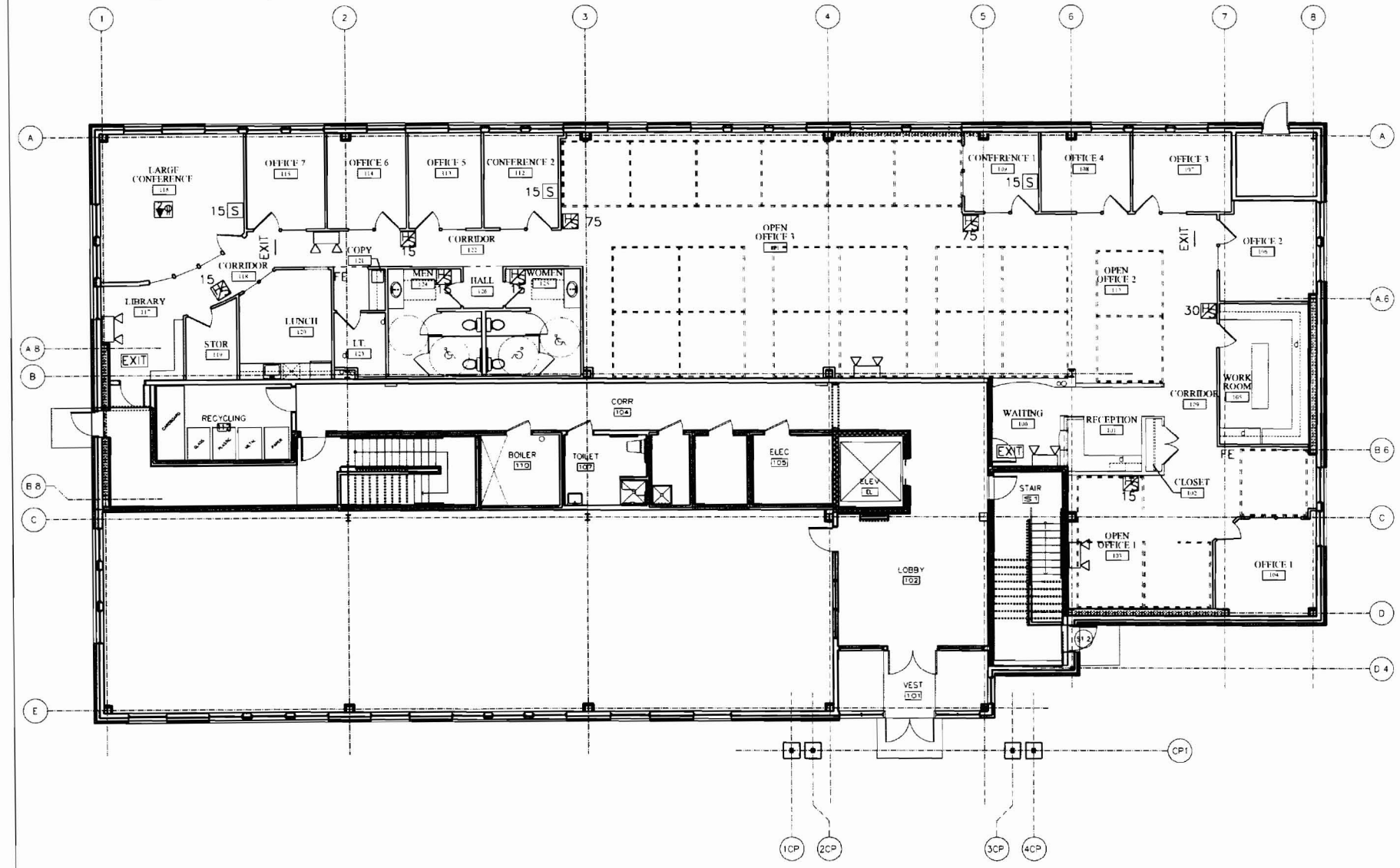


**GAWRON
TURGEON
ARCHITECTS**

29 Black Point Road
Scarborough, ME 04074
www.gawronturgeon.com
Tel: 207.883.6307
Fax: 207.883.0361

50 SEWALL STREET
PORTLAND, MAINE

- LEGEND:**
- EXIT Directional Exit Signage
 - EXIT Exit Signage
 - FE Fire Extinguisher
 - S Strobe
 - Horn and Strobe
 - Battery wall pack



REVISIONS

| NO. | DATE | DESCRIPTION |
|-----|---------|-------------|
| 1 | 12-1-06 | FOR PERMITS |
| 2 | 12-1-06 | FOR PERMITS |
| 3 | 12-1-06 | FOR PERMITS |

| | |
|---------------|----------|
| DATE | 12-1-06 |
| PROJECT | 12-1-06 |
| DRAWN BY | DLP |
| CHECKED BY | MET/SWG |
| DRAWING SCALE | AS NOTED |

SHEET TITLE

LIFE SAFETY PLAN

ELS

ISSUED FOR CONSTRUCTION 12-1-06

A1 LEGEND

A7 LIFE SAFETY PLAN



PLN
NORTH