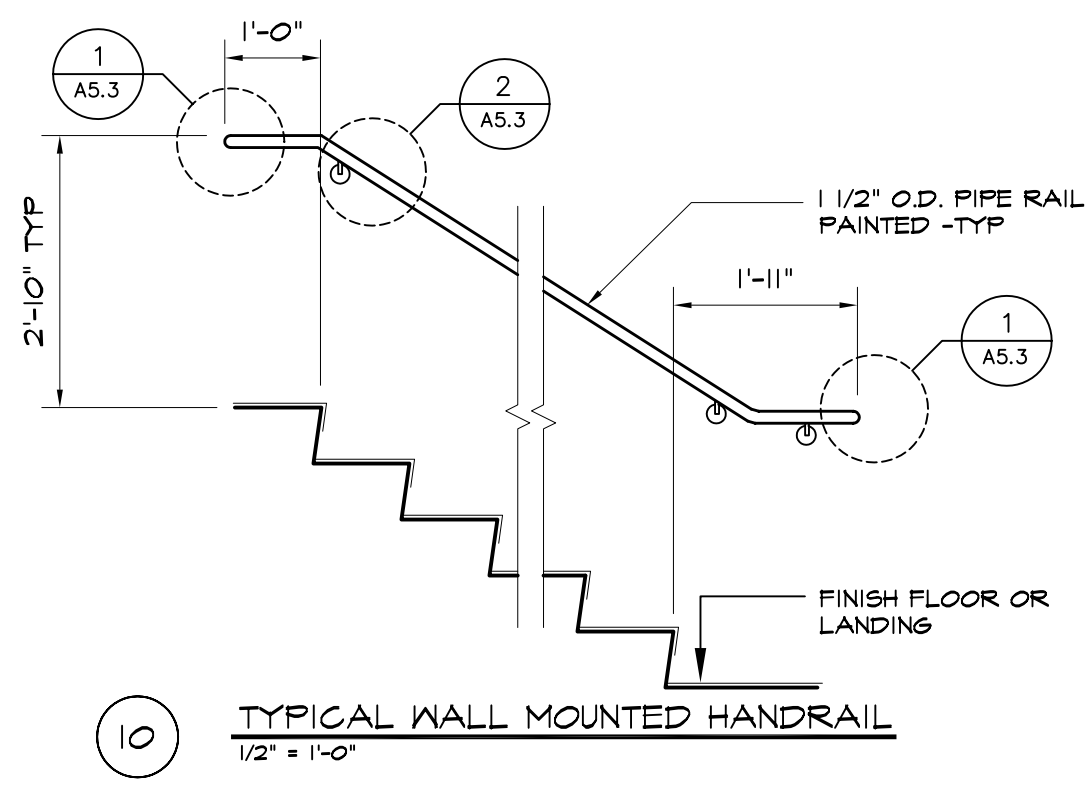
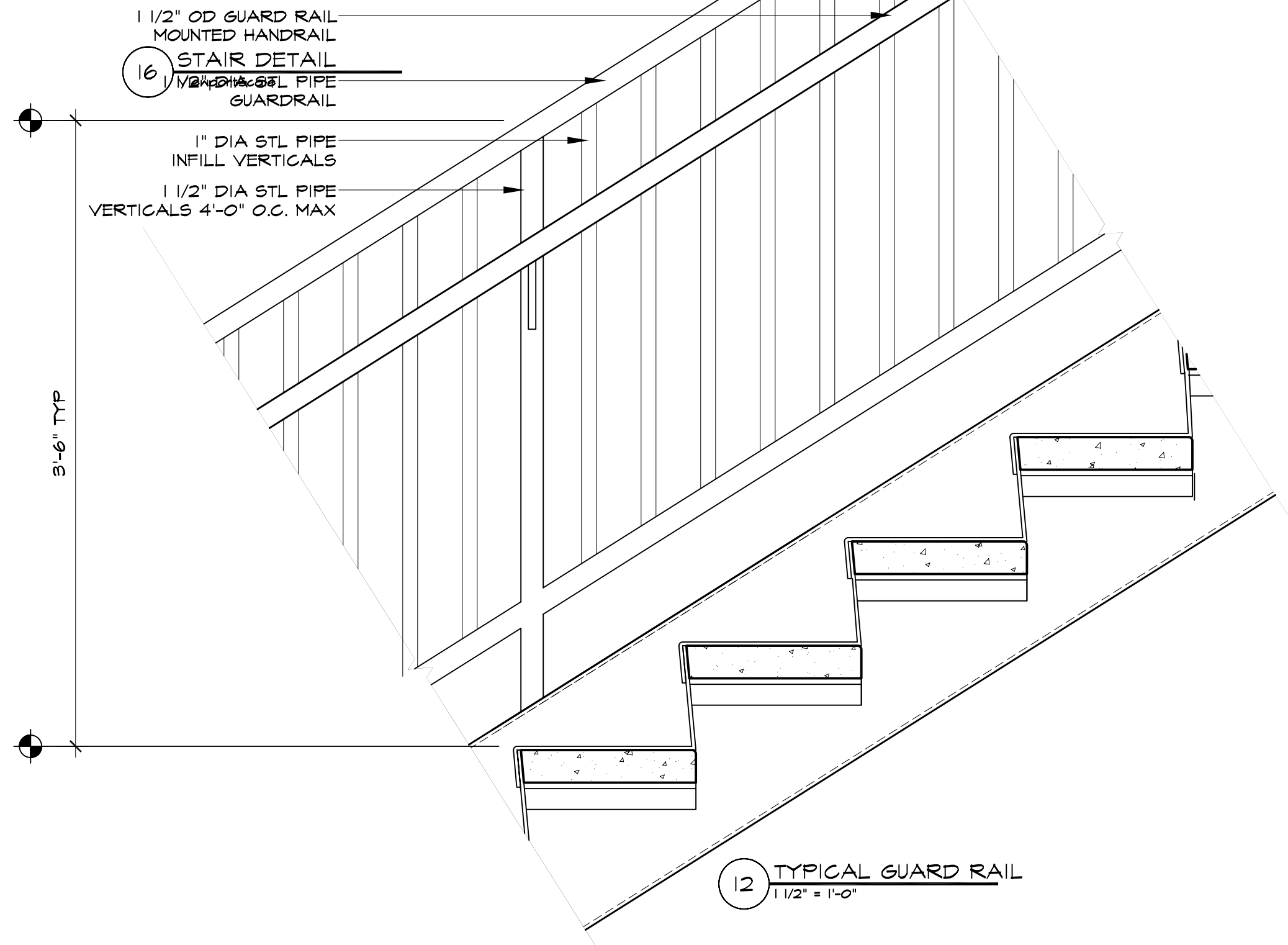


May 24, 2005 - 2:27pm

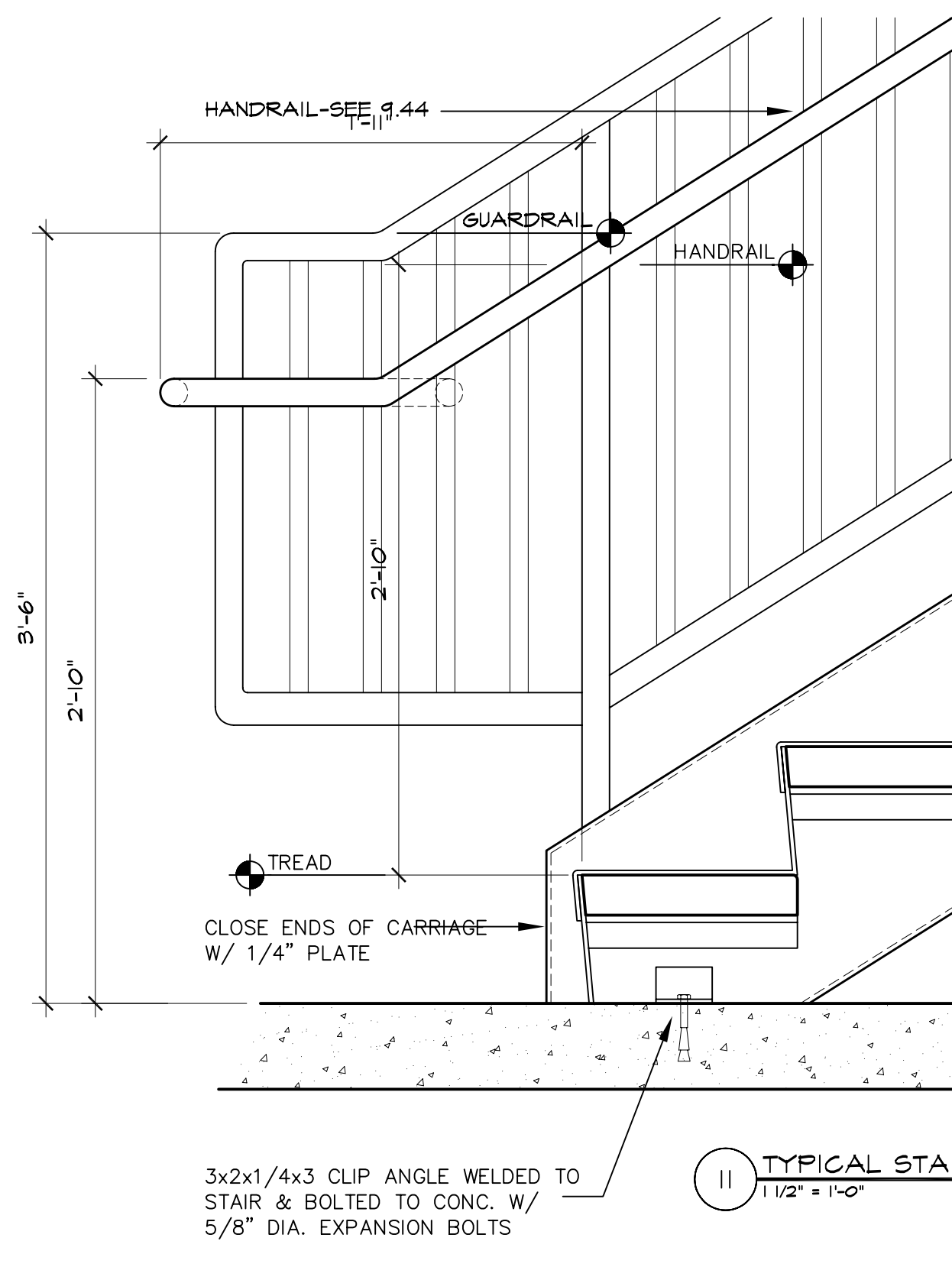
H:\Master Proj Files\2\OlympiaSewallStreet\MOB\cadd\SD\A5.3.dwg



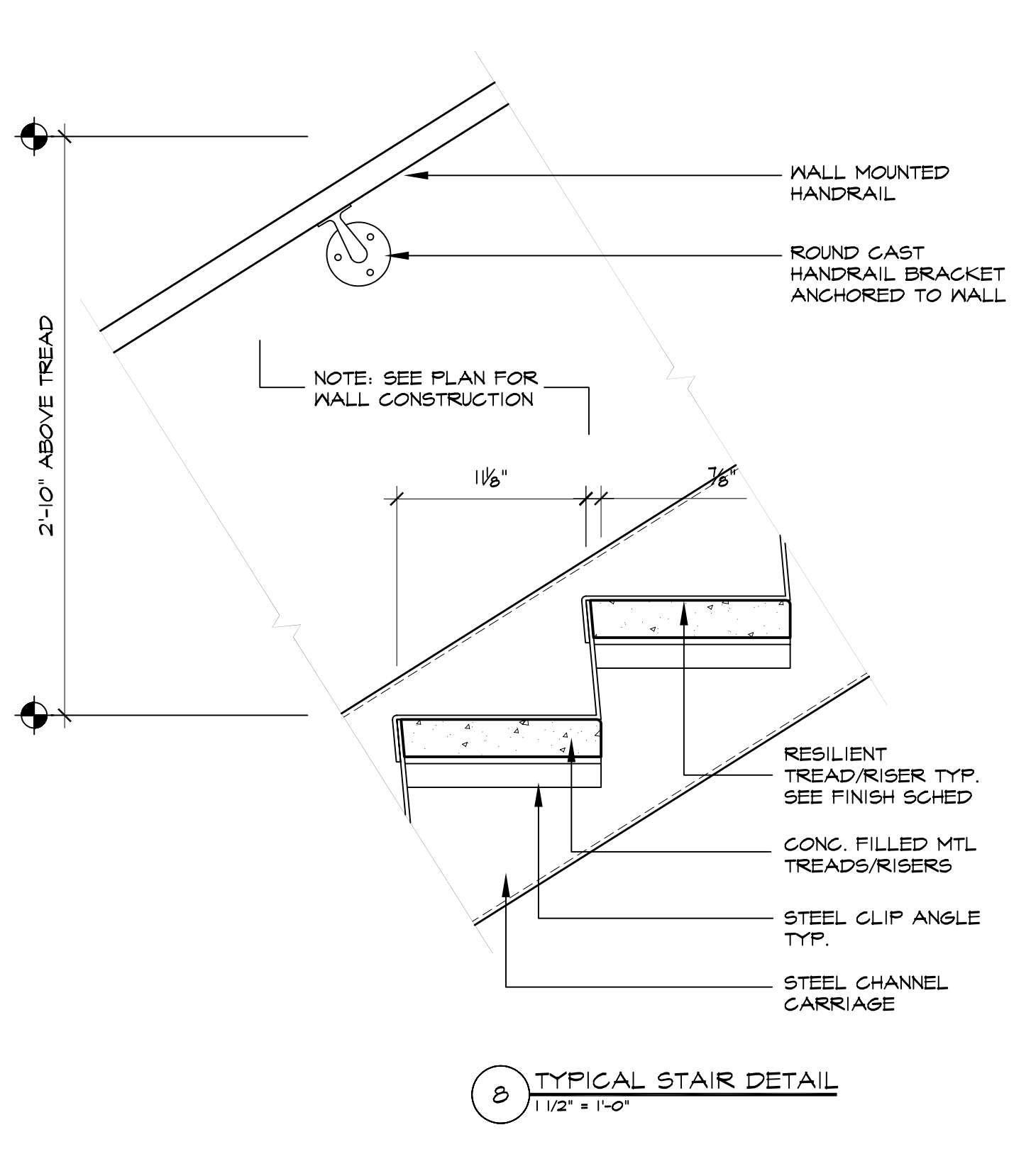
10 TYPICAL WALL MOUNTED HANDRAIL
1/2" = 1'-0"



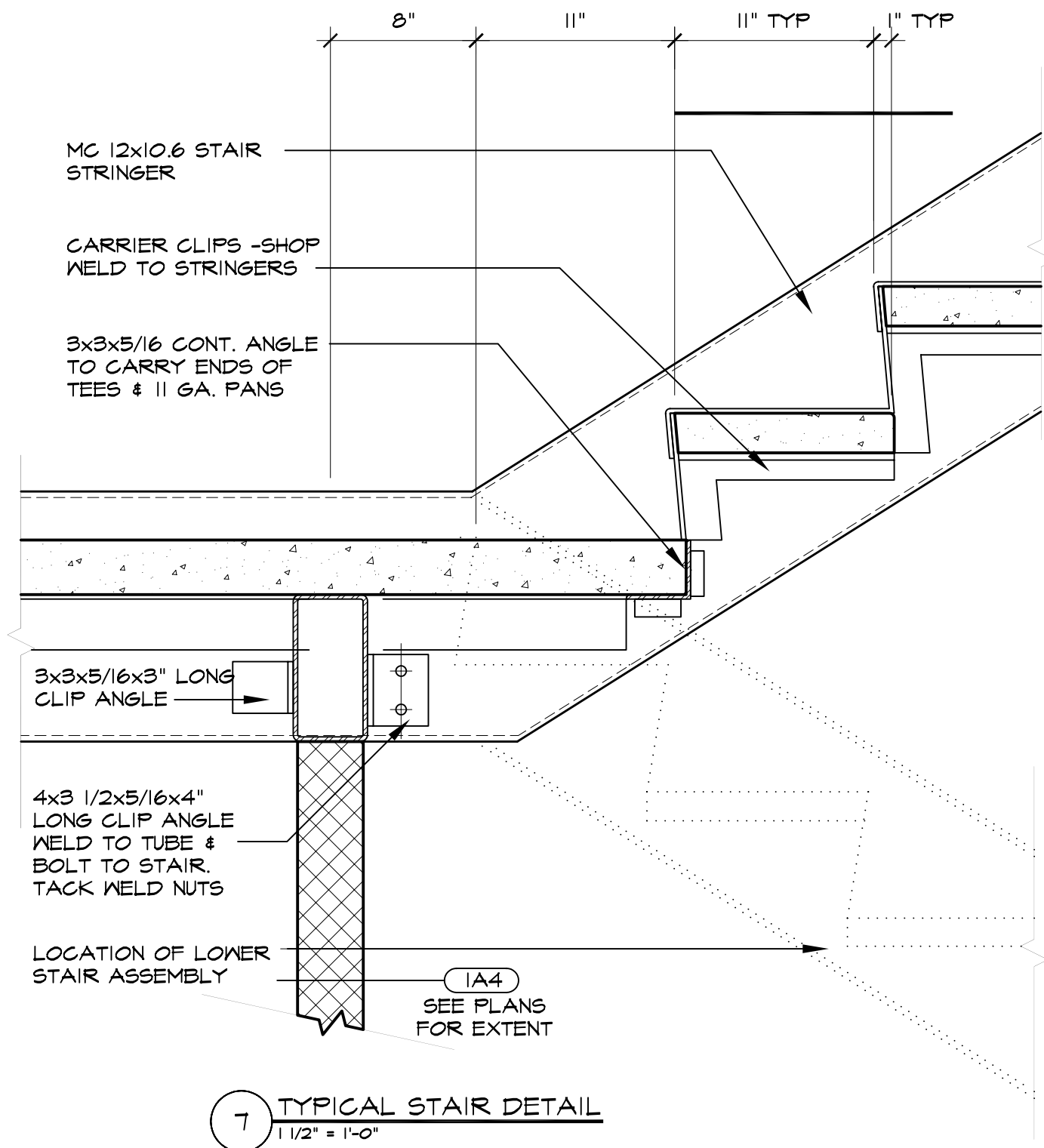
12 TYPICAL GUARD RAIL
1/2" = 1'-0"



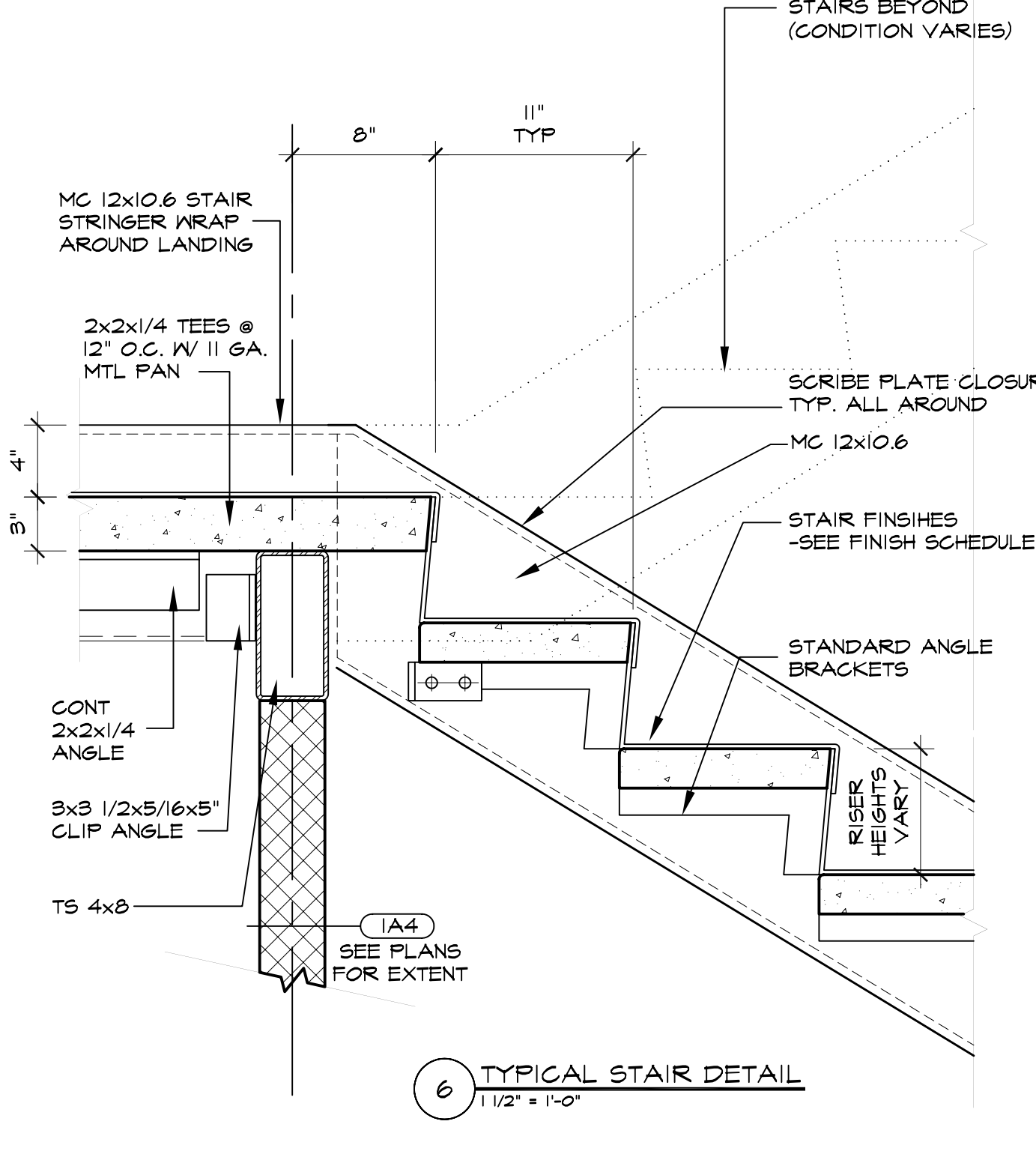
11 TYPICAL STAIR DETAIL
1/2" = 1'-0"



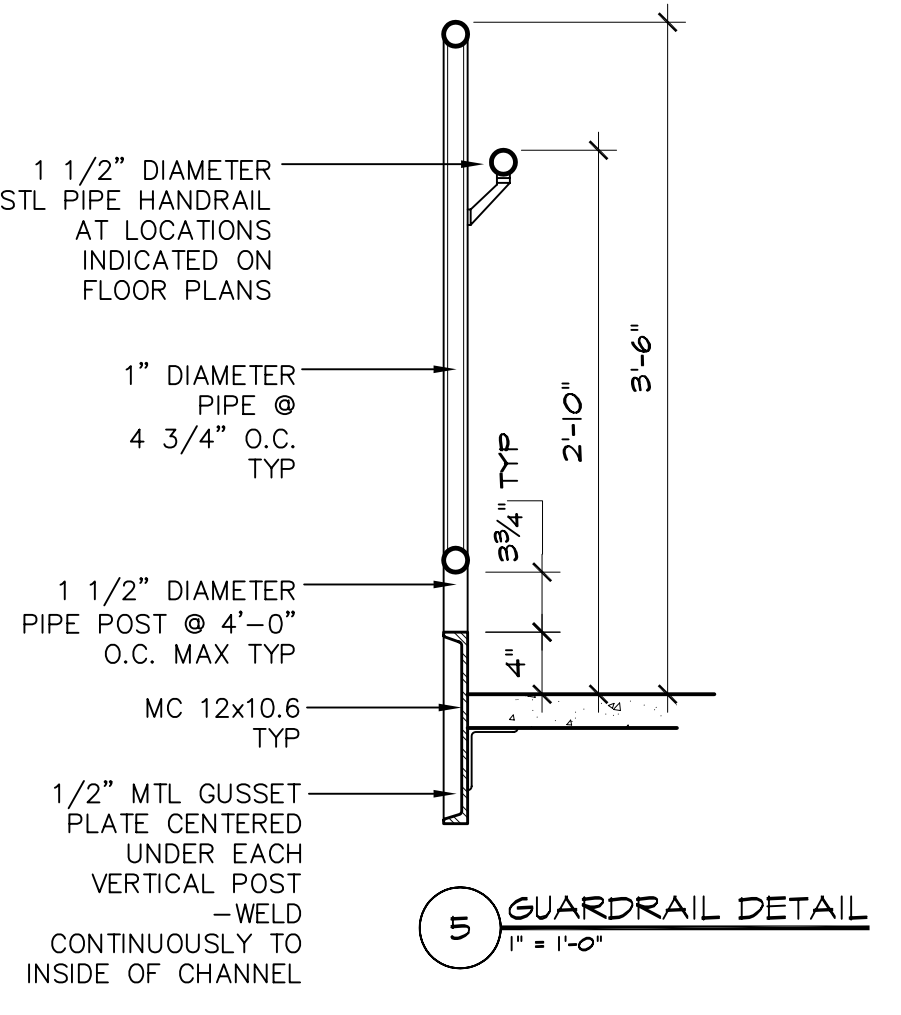
8 TYPICAL STAIR DETAIL
1/2" = 1'-0"



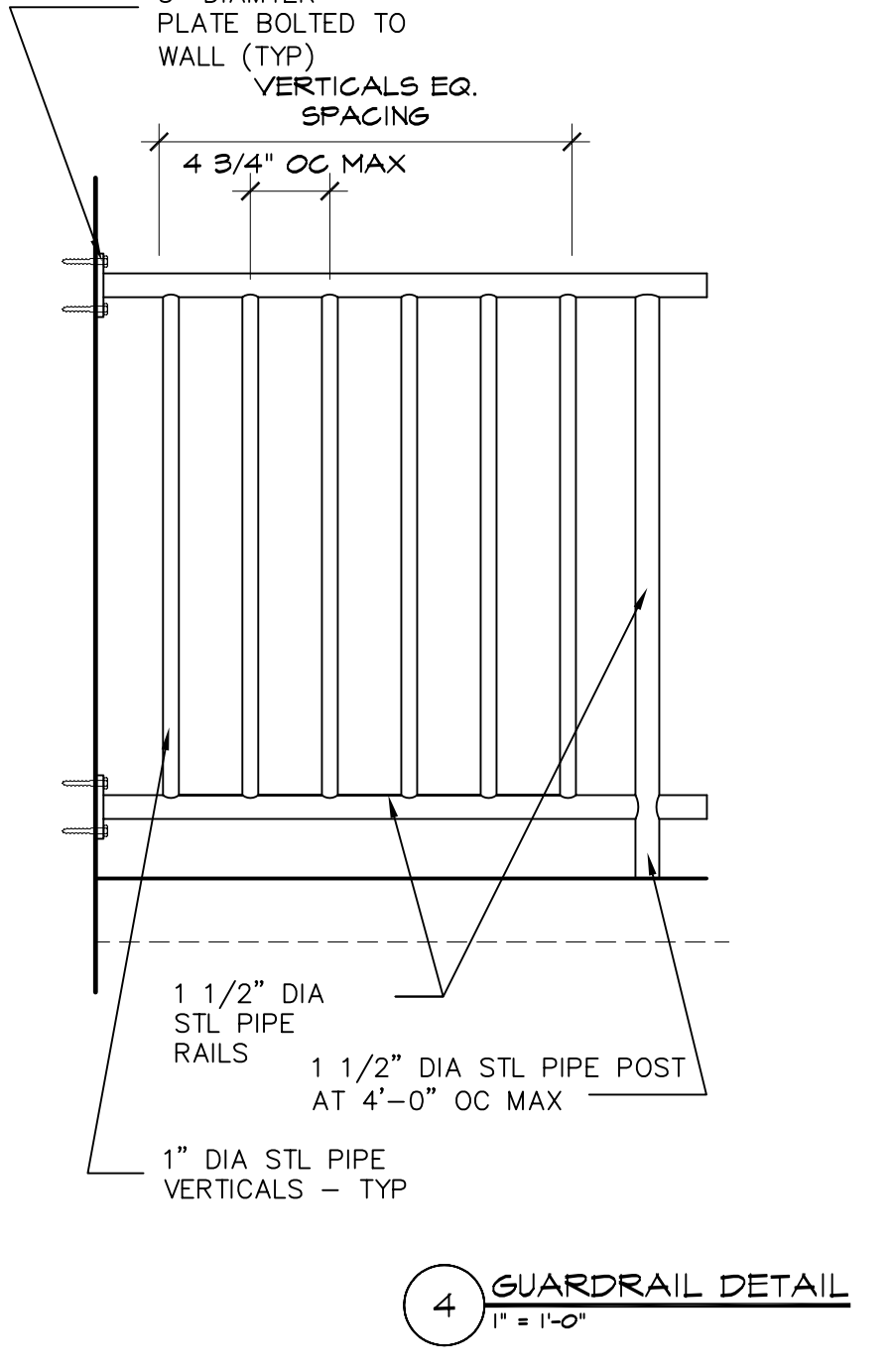
7 TYPICAL STAIR DETAIL
1/2" = 1'-0"



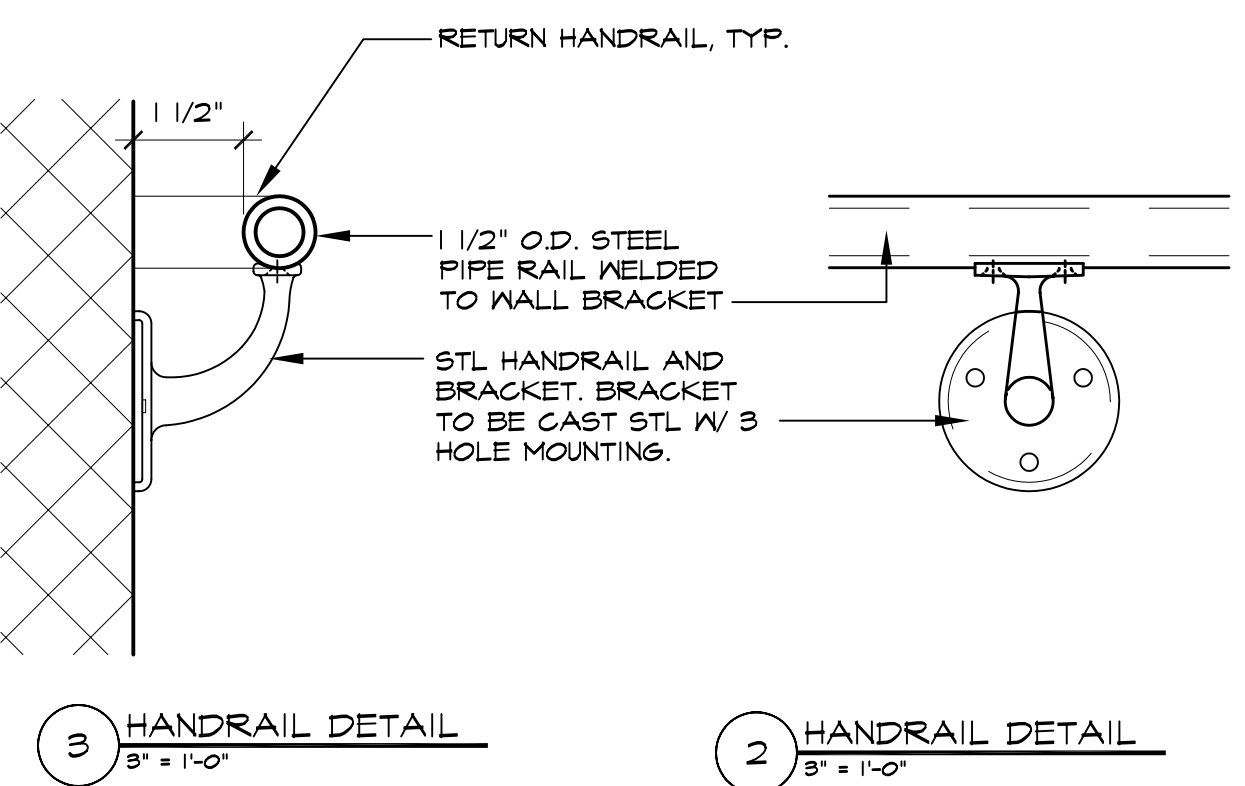
6 TYPICAL STAIR DETAIL
1/2" = 1'-0"



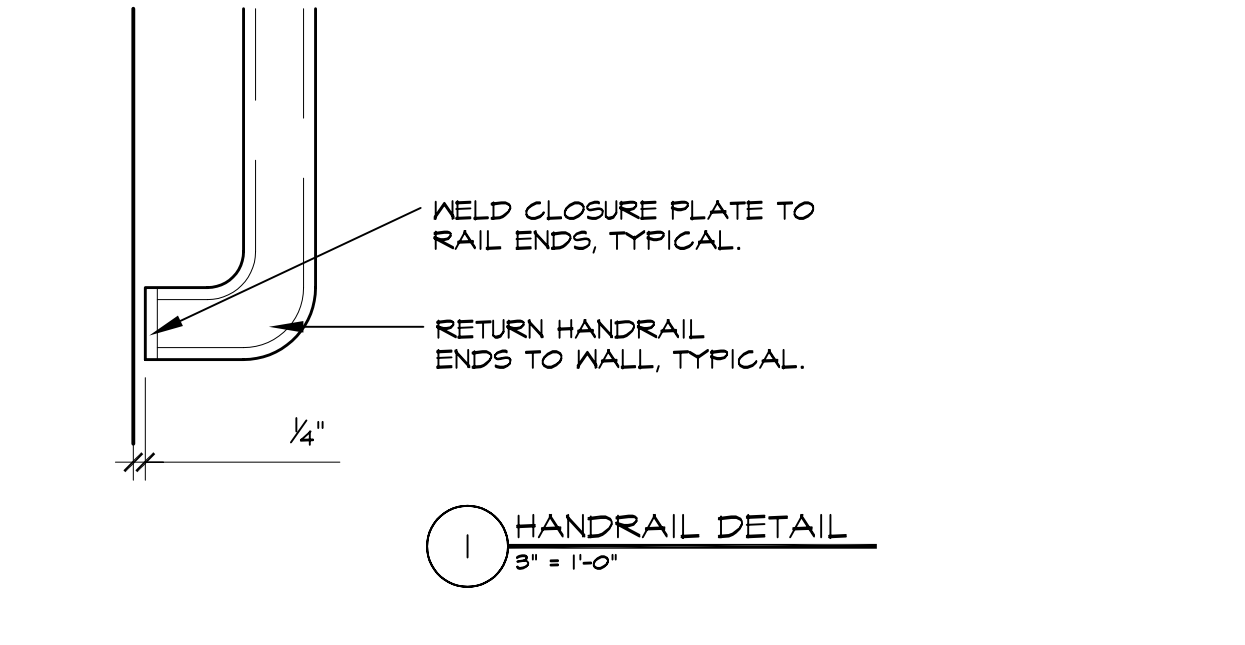
5 GUARDRAIL DETAIL
1" = 1'-0"



4 GUARDRAIL DETAIL
1" = 1'-0"



3 HANDRAIL DETAIL
3" = 1'-0"



2 HANDRAIL DETAIL
3" = 1'-0"

1 HANDRAIL DETAIL
3" = 1'-0"

ARCHITECTURE
INTERIOR DESIGN
PLANNING

P D T ARCHITECTS

49 BARTON STREET
PORTLAND, MAINE
207-775-1100
207-775-2804 FAX

COPYRIGHT 2005
PDT Architects

Reuse or reproduction of the
contents of this document is not
permitted without written
permission of PDT Architects.

OLYMPIA EQUITY INVESTORS

50 Sewall Street
PORTLAND, MAINE



JOB NO.
04-132

DRAWN:
tak

SCALE:
As Noted

ISSUE
24 MAY 2005

TITLE
Stair Details

SHEET

A5.3